



US00D842390S

(12) **United States Design Patent**
Iwasawa

(10) **Patent No.:** **US D842,390 S**
(45) **Date of Patent:** **** Mar. 5, 2019**

- (54) **TOY GUN**
- (71) Applicant: **TOKYO MARUI Co., Ltd.**, Tokyo (JP)
- (72) Inventor: **Iwao Iwasawa**, Tokyo (JP)
- (73) Assignee: **TOKYO MARUI CO., LTD.**, Tokyo (JP)
- (**) Term: **15 Years**
- (21) Appl. No.: **29/604,607**
- (22) Filed: **May 18, 2017**
- (30) **Foreign Application Priority Data**
Nov. 22, 2016 (JP) 2016-025407
- (51) **LOC (11) Cl.** **21-01**
- (52) **U.S. Cl.**
USPC **D21/573**
- (58) **Field of Classification Search**
USPC D21/567, 570-575; D22/100-104,
D22/108-109; 362/311.06; 42/71.01,
42/75.02
CPC F41C 3/00; F41C 3/005; F41C 3/02; F41C
3/04; F41C 3/06; F41C 3/14; F41C 3/16;
F41C 9/02; F41C 9/04; F41C 9/06
See application file for complete search history.

- D785,122 S * 4/2017 Mather D22/104
- 9,696,112 B2 * 7/2017 Gottzmann F41C 23/16
- D795,981 S * 8/2017 Martelli D22/103
- D803,955 S * 11/2017 Martelli D21/573
- 9,829,272 B2 * 11/2017 Brown F41C 23/04
- 2011/0214327 A1 * 9/2011 Desomma F41A 3/66
42/75.02
- 2012/0106170 A1 * 5/2012 Matthews F41G 1/30
362/311.06

OTHER PUBLICATIONS

Shotguns_Marui_SGR_12 [online] found on Mar. 5, 2018 from URL http://www.redwolfairsoft.com/redwolf/airsoft/Shotguns_Tokyo_Marui_Tokyo_Marui_SGR_12_Electric_Shotgun.htm.*

* cited by examiner

Primary Examiner — Robin V Webster
Assistant Examiner — Keith J Wilson
(74) *Attorney, Agent, or Firm* — Jacobson Holman, PLLC.

(57) **CLAIM**

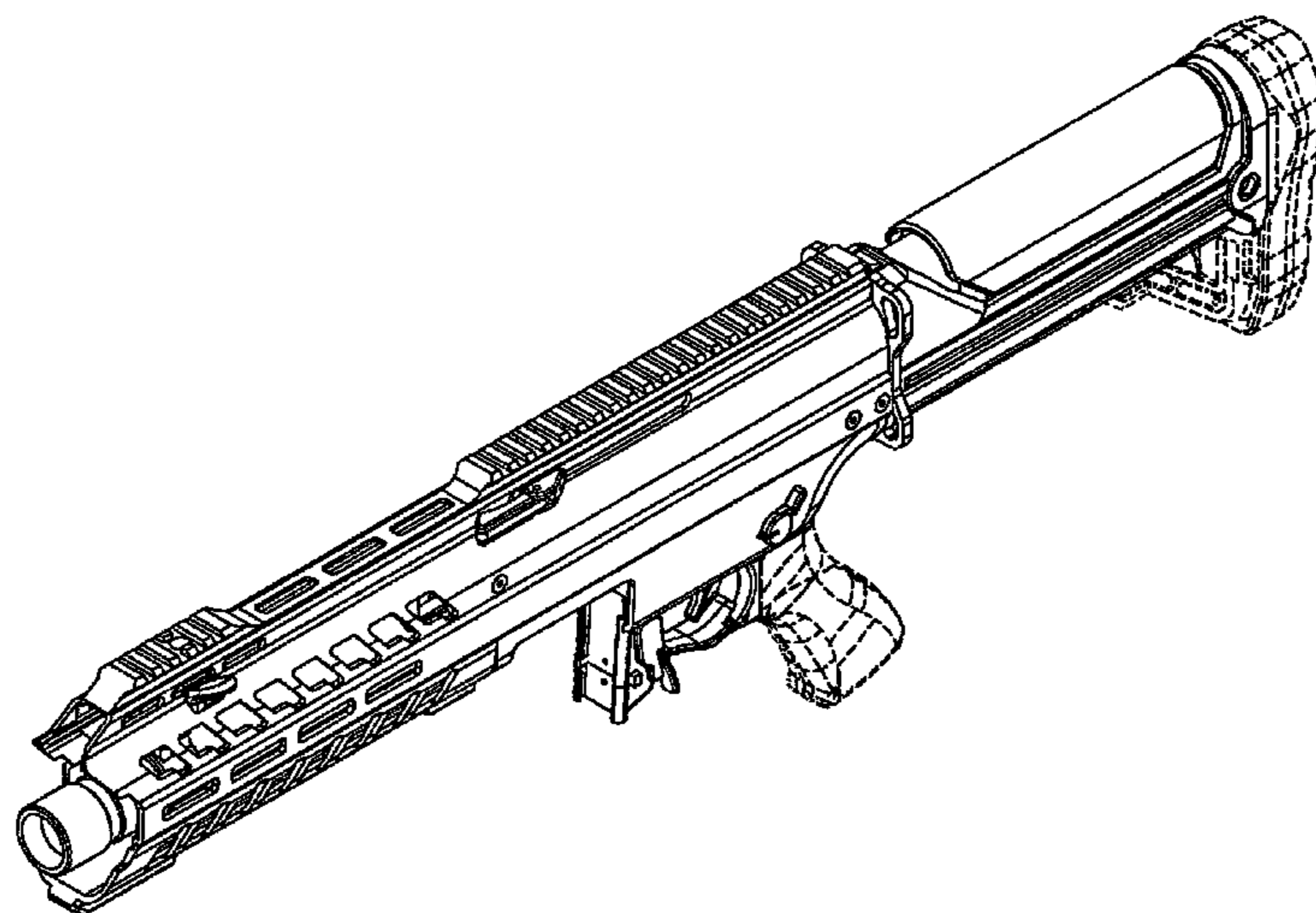
I claim the ornamental design for a toy gun, as shown and described.

DESCRIPTION

FIG. 1 is a front perspective view of a toy gun according my design;
FIG. 2 is a bottom perspective view of the other side of FIG. 1;
FIG. 3 is a left side elevational view of FIG. 1;
FIG. 4 is a right side elevational view of FIG. 1;
FIG. 5 is front elevational view of FIG. 1;
FIG. 6 is a back elevational view of FIG. 1;
FIG. 7 is a top plan view of FIG. 1; and,
FIG. 8 is a bottom view of FIG. 1.
The broken lines shown represent portions of the toy gun that form no part of the claimed design.

1 Claim, 8 Drawing Sheets

- (56) **References Cited**
U.S. PATENT DOCUMENTS
D638,887 S * 5/2011 En D21/573
D671,183 S * 11/2012 Lucansky D22/103
D680,611 S * 4/2013 Emde D22/103
8,726,558 B1 * 5/2014 Nason F41C 23/16
42/71.01
D724,168 S * 3/2015 Alis D22/103
D729,893 S * 5/2015 Foster D22/103
9,574,852 B1 * 2/2017 McKillips F41G 11/003



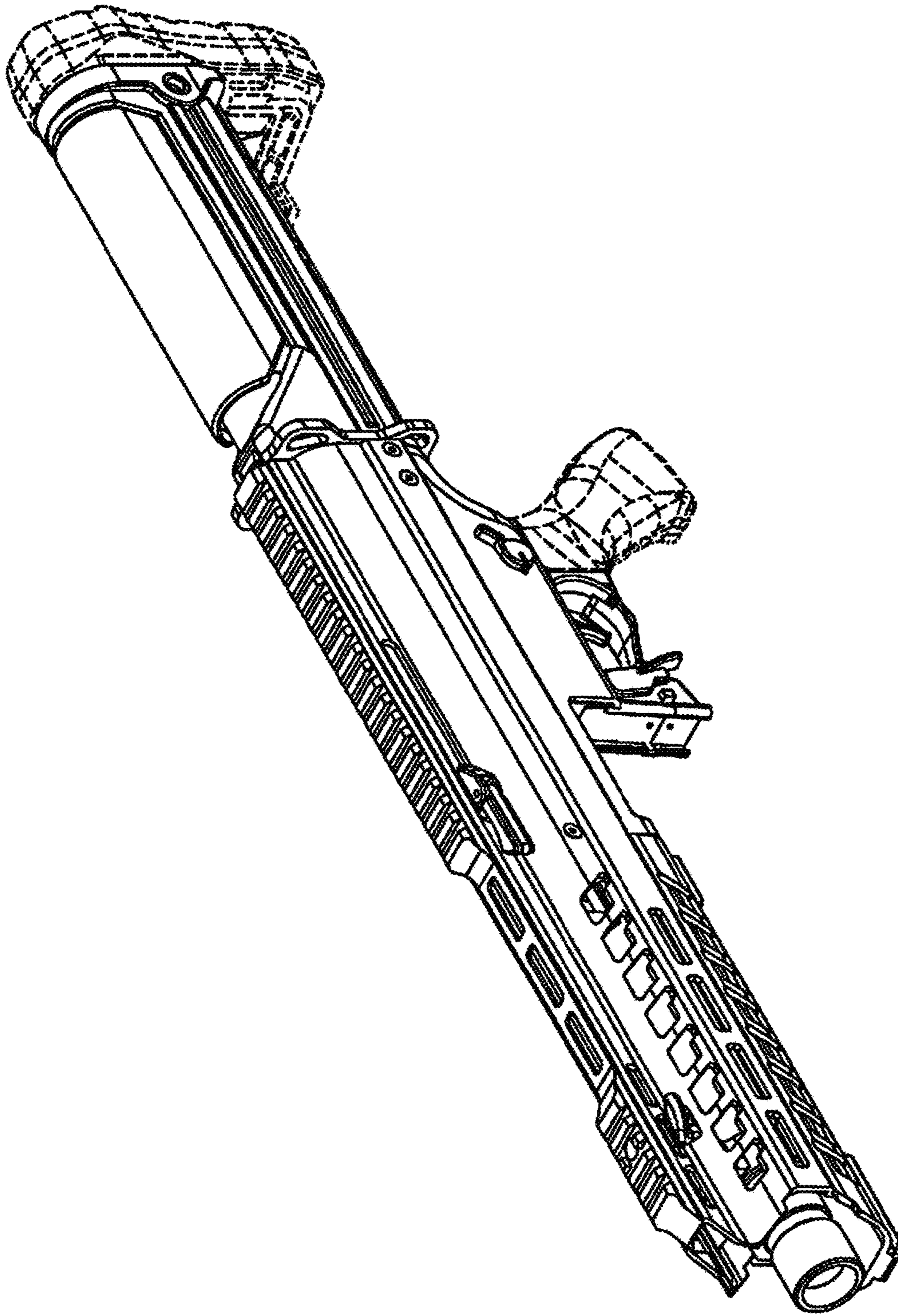


FIG. 1

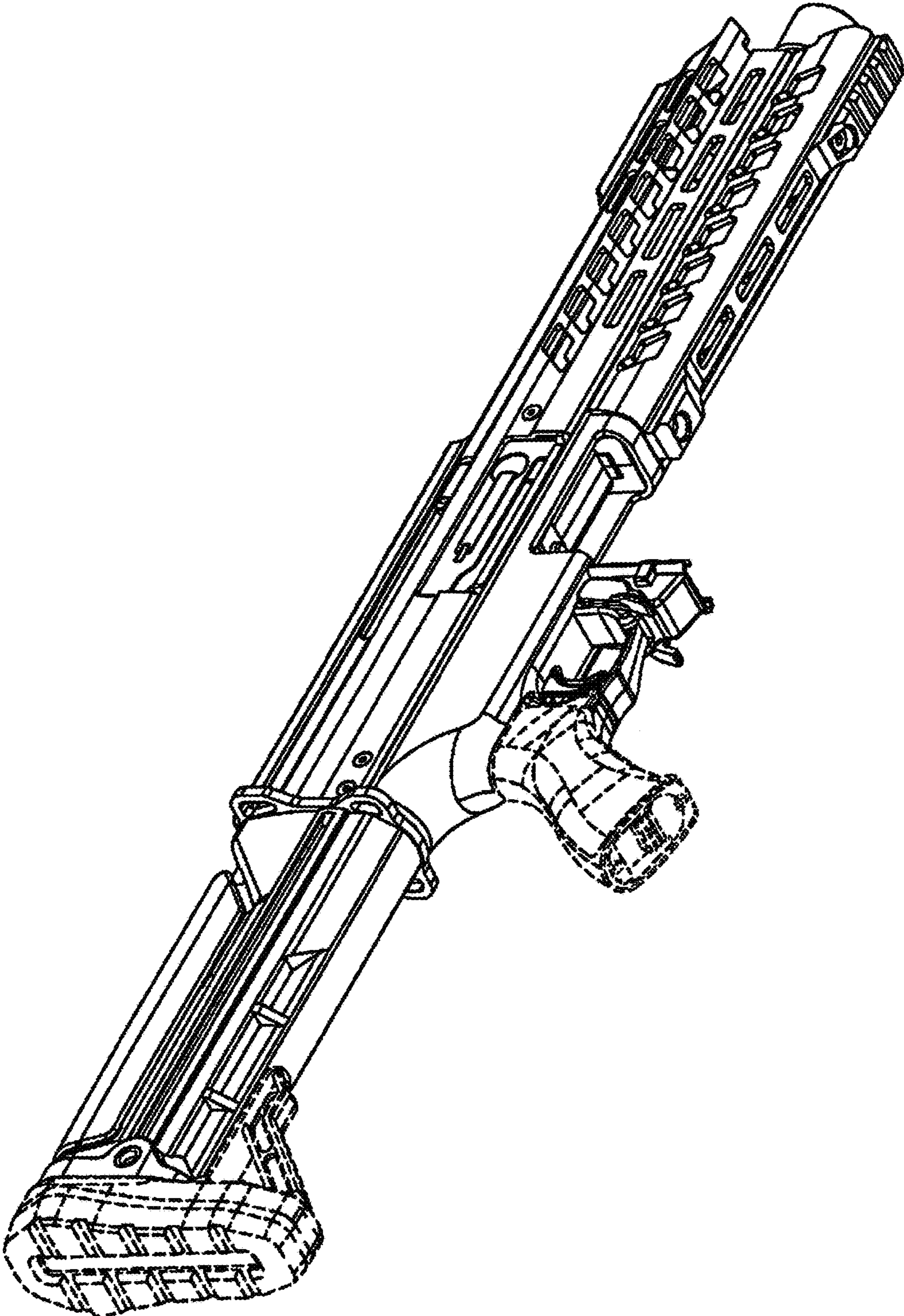


FIG. 2

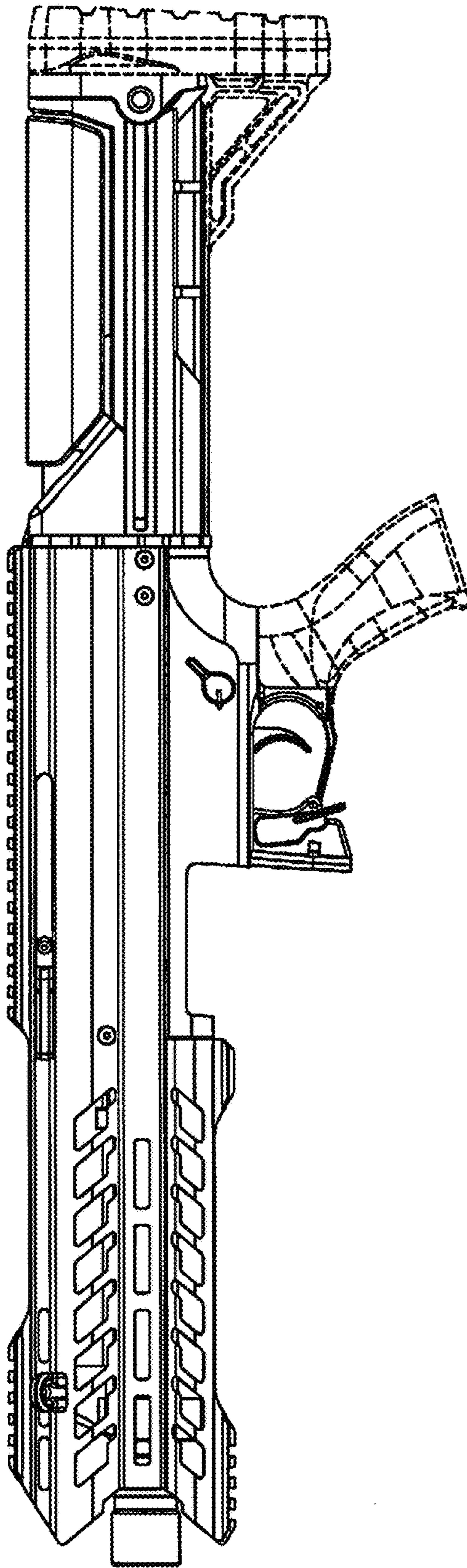


FIG. 3

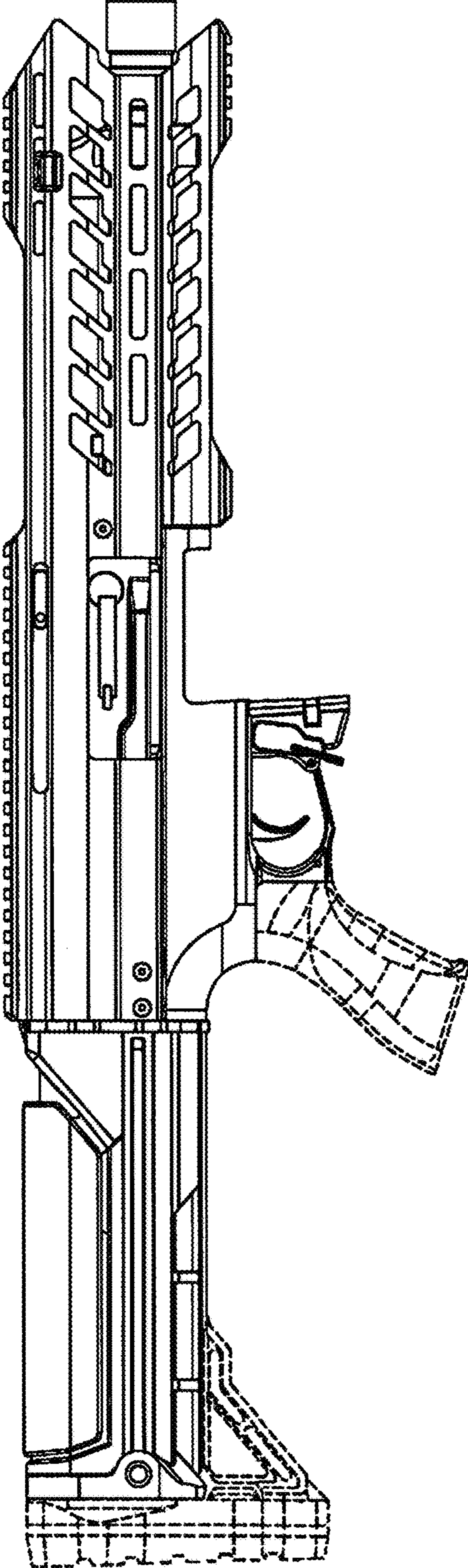


FIG. 4

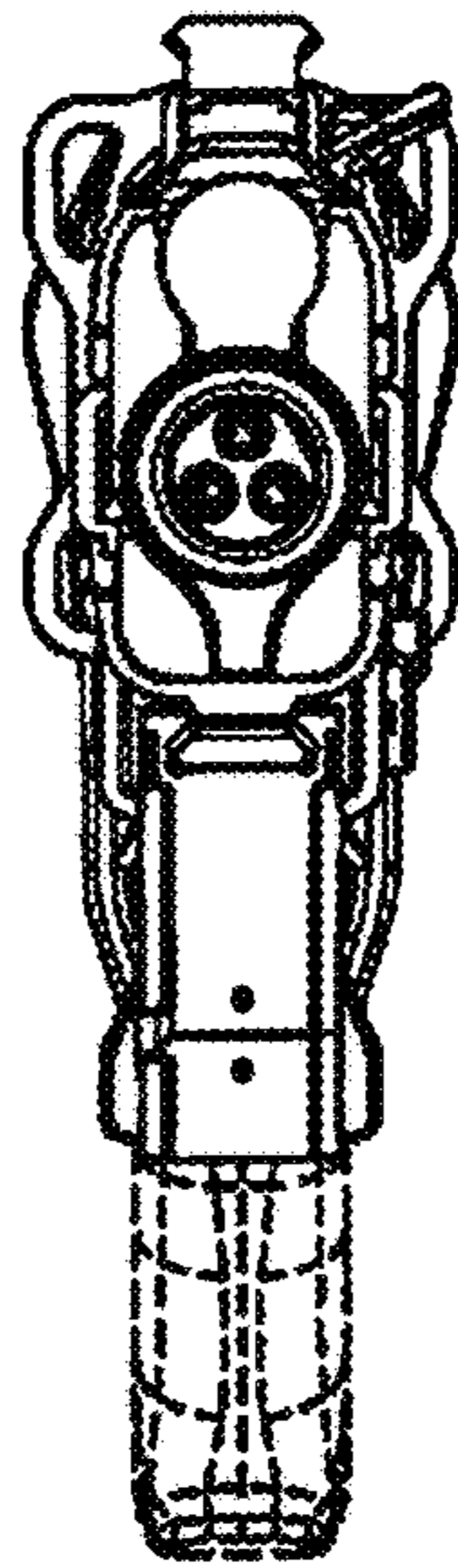


FIG. 5

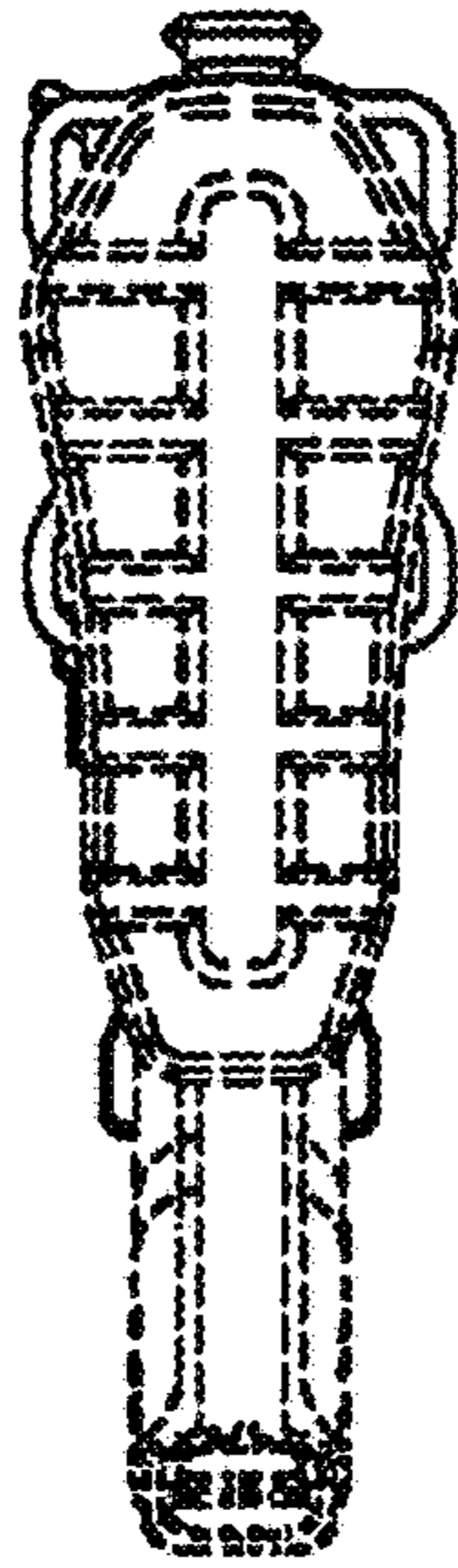


FIG. 6

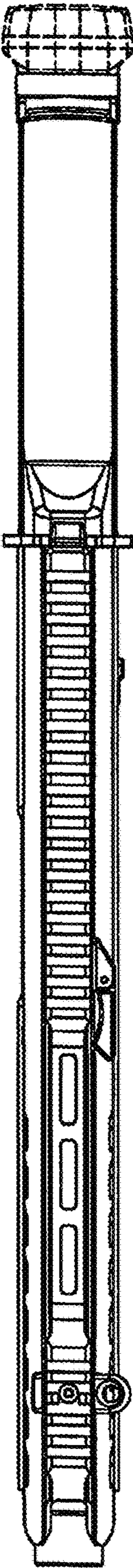


FIG. 7

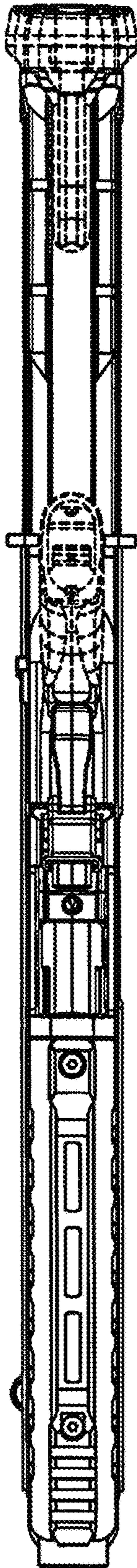


FIG. 8