



US00D842388S

(12) **United States Design Patent**
Wang

(10) **Patent No.:** **US D842,388 S**

(45) **Date of Patent:** **** Mar. 5, 2019**

(54) **TOY VEHICLE**

(71) Applicant: **Shenzhen Qianhai Value Online Ecommerce Co., Ltd.**, Guangdong (CN)

(72) Inventor: **Yan Wang**, Guangdong (CN)

(**) Term: **15 Years**

(21) Appl. No.: **29/624,704**

(22) Filed: **Nov. 3, 2017**

(30) **Foreign Application Priority Data**

Oct. 16, 2017 (CN) 2017 3 0492960

(51) **LOC (11) Cl.** **21-01**

(52) **U.S. Cl.**
USPC **D21/552**

(58) **Field of Classification Search**
USPC D12/86, 88, 90-92, 107, 110, 164, 173, D12/184-186, 190, 196; D21/419, 421, D21/423, 424-426, 432-434, 548, 549, D21/550, 552, 559, 561
CPC A63H 17/26; A63H 17/262; A63H 17/264; A63H 17/266; A63H 17/36; A63H 17/38; A63H 29/00; A63H 29/22; A63H 29/24; A63H 30/04

See application file for complete search history.

(56) **References Cited**

U.S. PATENT DOCUMENTS

D309,930 S * 8/1990 Asaeda D21/548
D362,280 S * 9/1995 George D21/550
5,919,075 A * 7/1999 George A63H 17/004
446/437

D538,861 S * 3/2007 Takahashi D21/550
D549,787 S * 8/2007 Chen D21/548
D550,311 S * 9/2007 Chen D21/548
8,038,504 B1 * 10/2011 Wong A63H 30/04
446/431
9,427,672 B2 * 8/2016 Picolet A63H 18/00
D802,685 S * 11/2017 Barajas D21/562
D825,684 S * 8/2018 Gan D21/550
D825,685 S * 8/2018 Tompkin D21/550
2002/0137428 A1 * 9/2002 Tilbor A63H 17/262
446/465
2009/0149113 A1 * 6/2009 Lund A63H 17/004
446/454

* cited by examiner

Primary Examiner — Robin V Webster

Assistant Examiner — Keith J Wilson

(74) *Attorney, Agent, or Firm* — Prakash Nama; Global IP Services, PLLC

(57) **CLAIM**

The ornamental design for a toy vehicle, as shown and described.

DESCRIPTION

FIG. 1 is a front elevational view of a toy vehicle showing my new design;

FIG. 2 is a rear elevational view thereof;

FIG. 3 is a left side view thereof;

FIG. 4 is a right side view thereof;

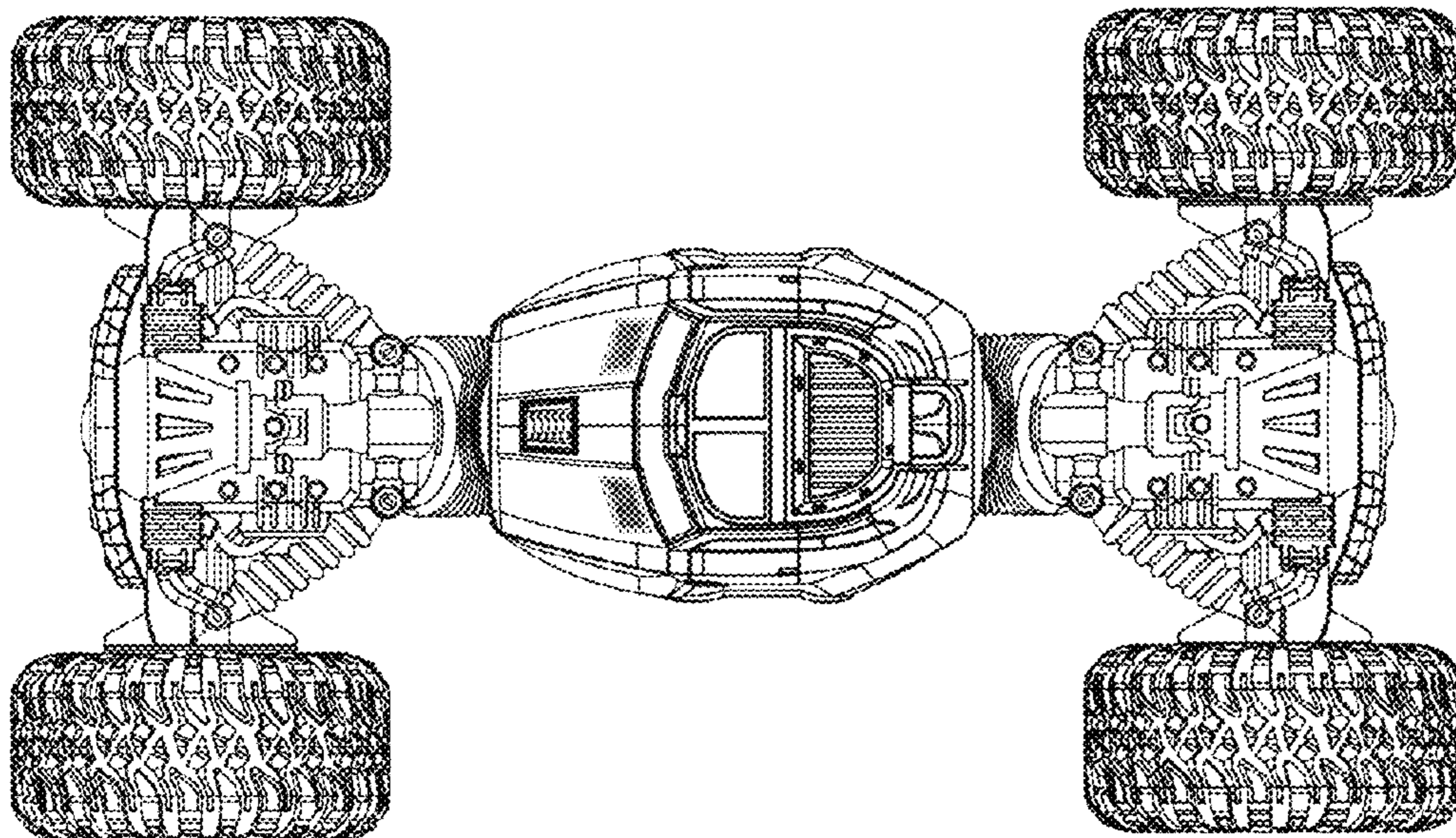
FIG. 5 is a top plan view thereof;

FIG. 6 is a bottom plan view thereof; and,

FIG. 7 is a perspective view thereof.

The broken lines shown in toy vehicle form no part of the claimed design.

1 Claim, 5 Drawing Sheets



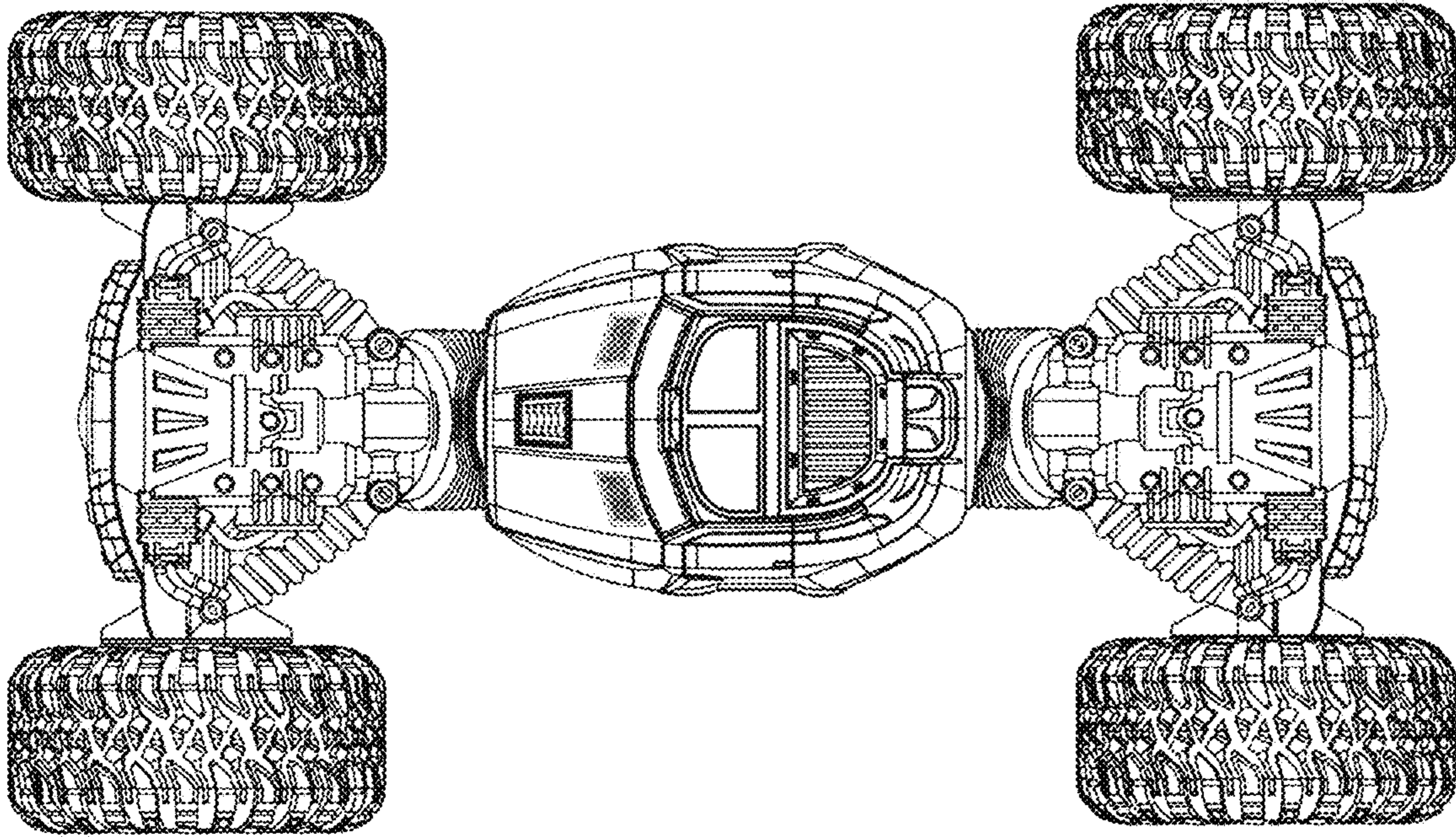


FIG. 1

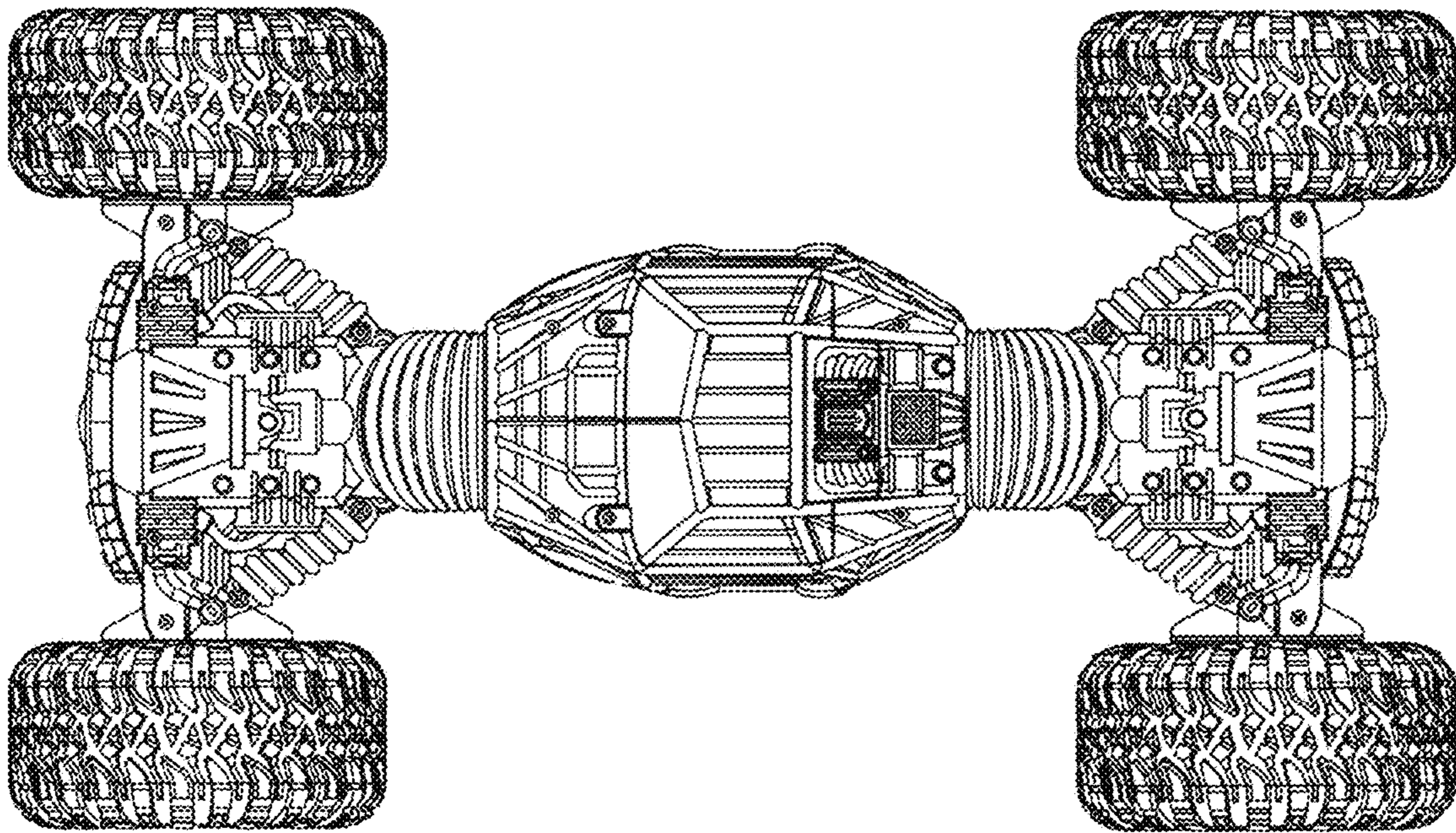


FIG. 2

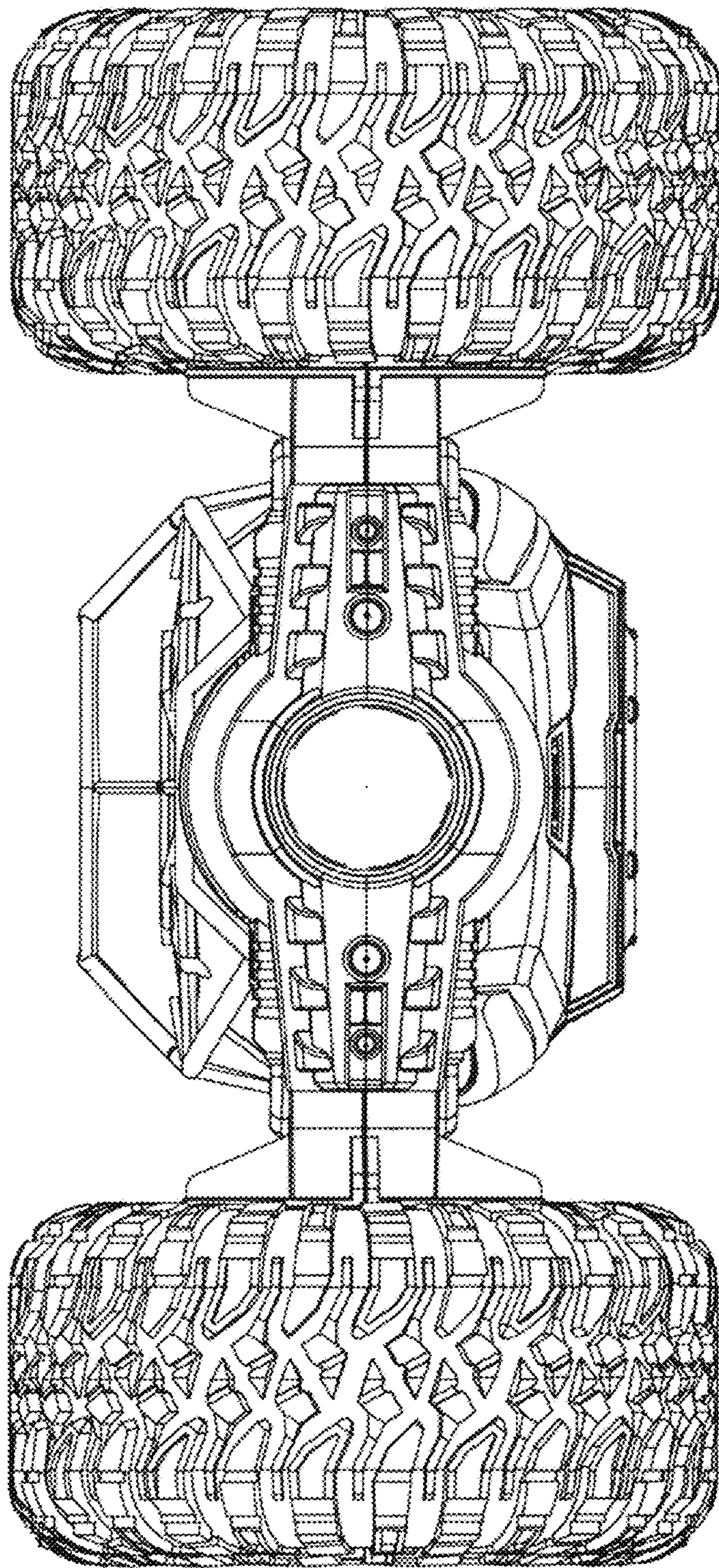


FIG. 3

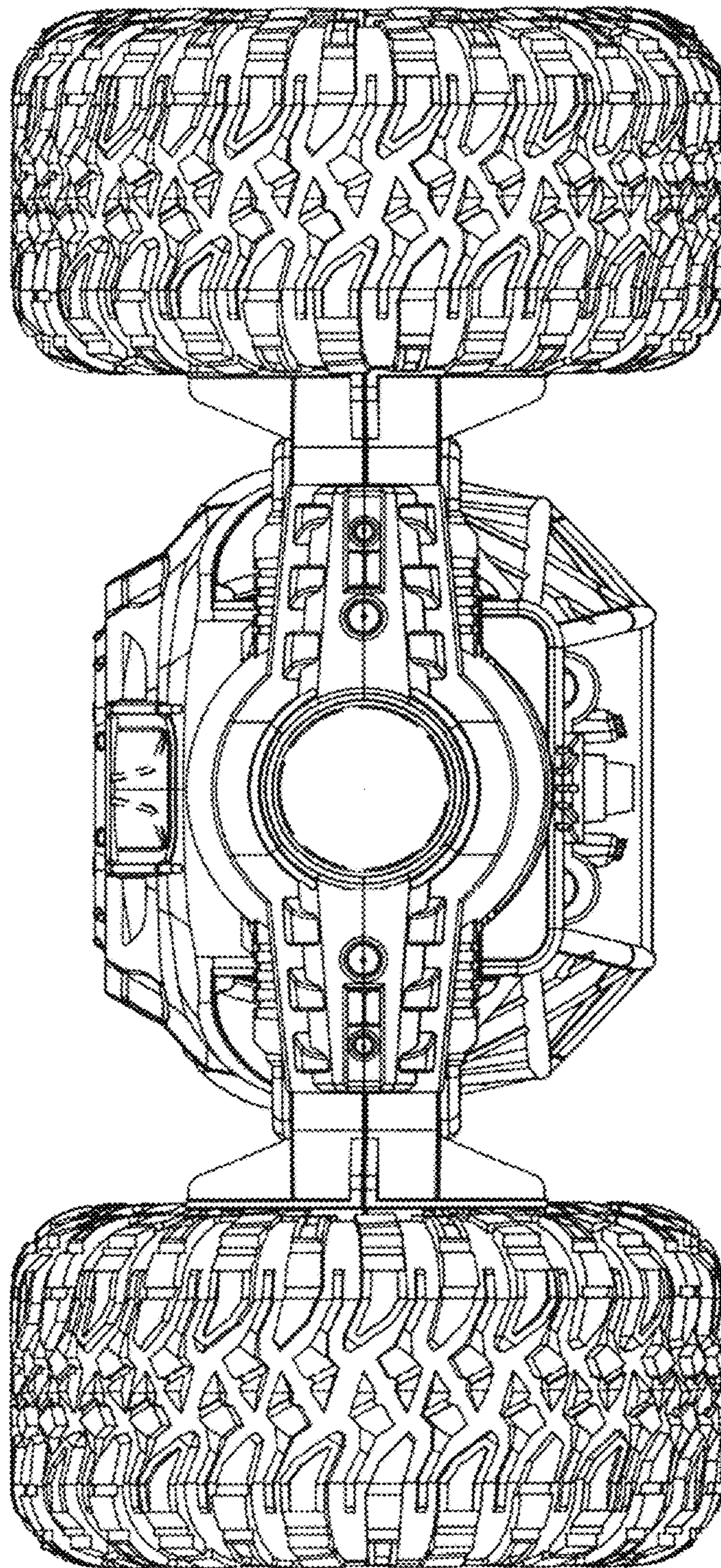


FIG. 4

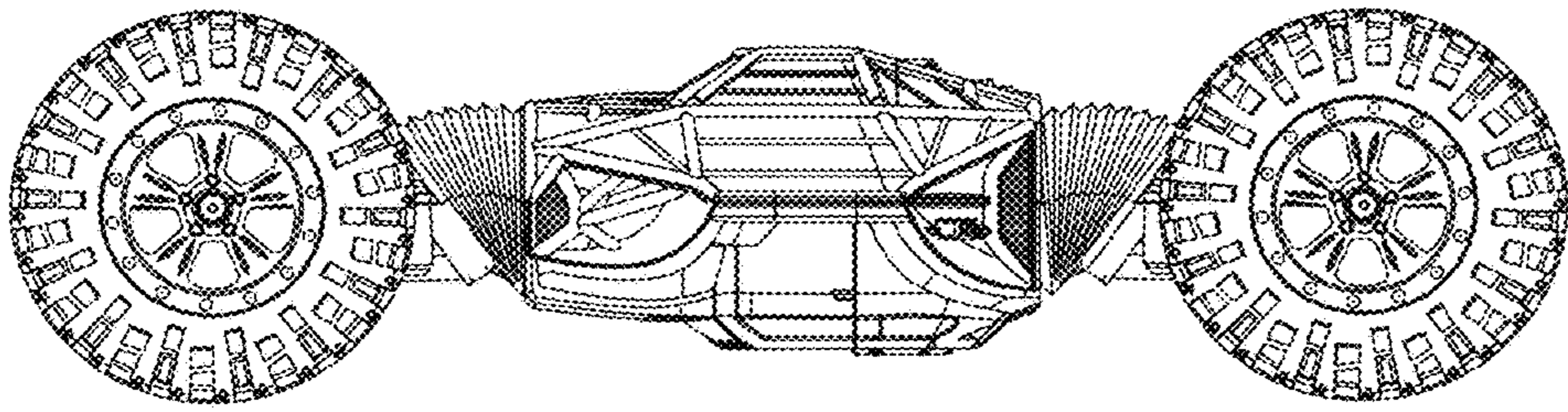


FIG. 5

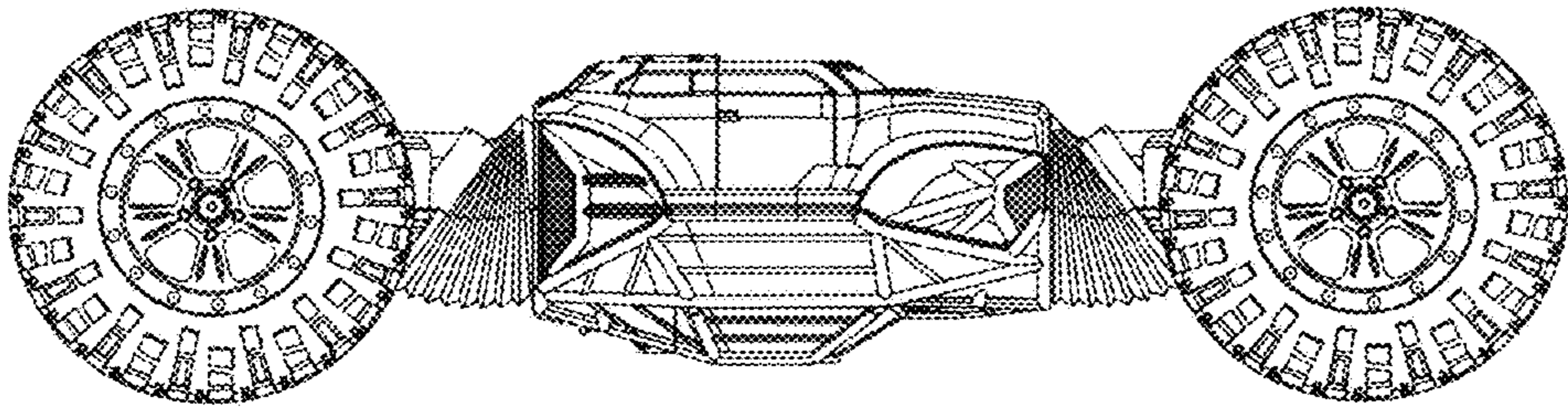


FIG. 6

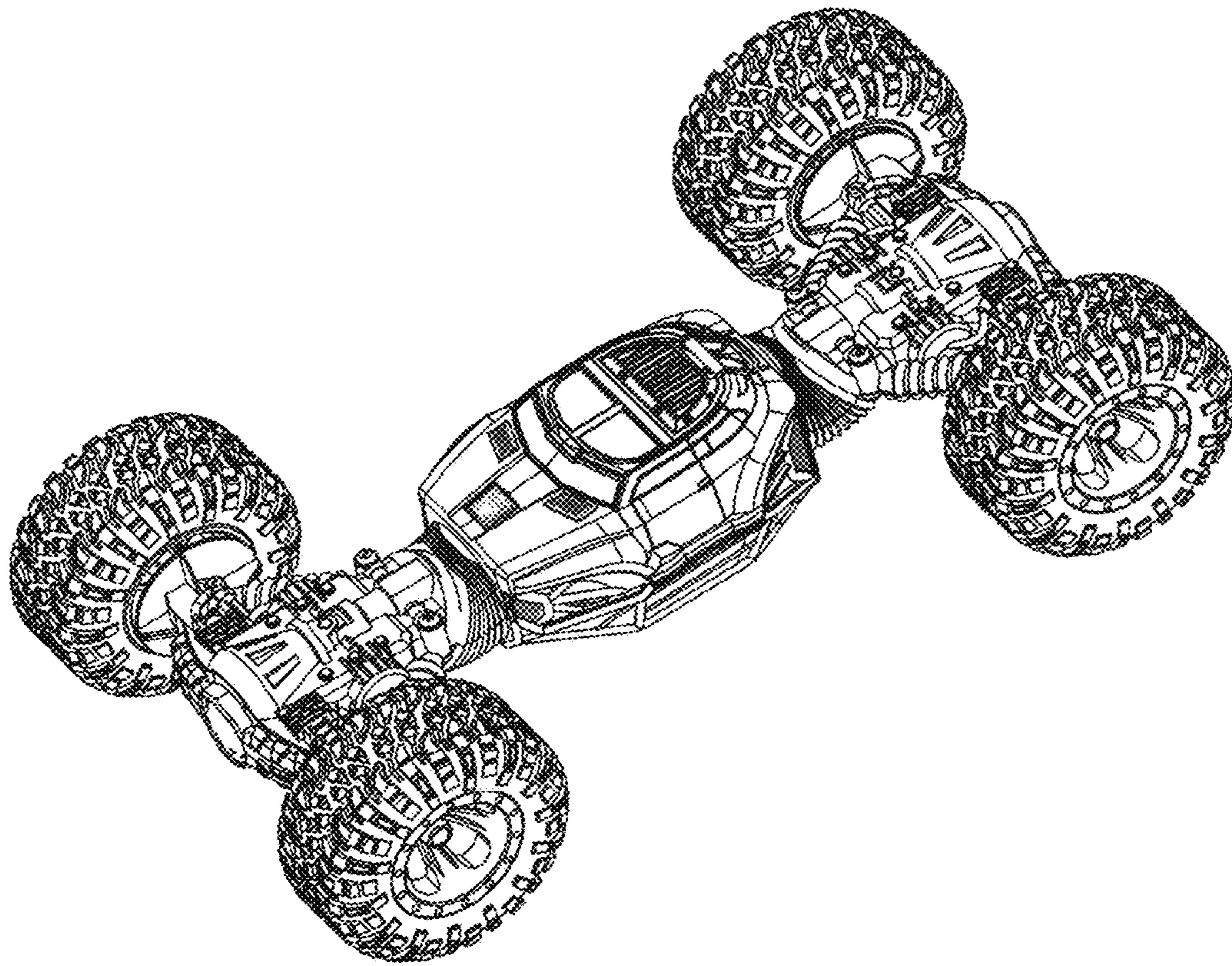


FIG. 7