



US00D842384S

(12) **United States Design Patent** (10) **Patent No.:** **US D842,384 S**
Kirchschlager et al. (45) **Date of Patent:** **** Mar. 5, 2019**

(54) **SCOOTER**

7/06; B62B 7/10; B62B 7/14; B62B 7/145; B62D 51/00; B62D 51/001; B62D 51/02

(71) Applicant: **SCOOT & RIDE GMBH**,
Grieskirchen (AT)

See application file for complete search history.

(72) Inventors: **Robert Kirchschlager**, Leonding (AT);
Wolfgang Berndorfer, Natternbach (AT)

(56) **References Cited**

U.S. PATENT DOCUMENTS

(73) Assignee: **SCOOT & RIDE GMBH**,
Grieskirchen (AT)

D326,290 S *	5/1992	Badsey	D12/110
D701,271 S *	3/2014	Grout	D21/419
D745,608 S *	12/2015	Xu	D21/423
D746,924 S *	1/2016	Delgatty	D21/423
D749,174 S *	2/2016	O Connell	D21/423
D750,711 S *	3/2016	Delgatty	D21/423
D755,305 S *	5/2016	Edlauer	D21/423
D774,979 S *	12/2016	Delgatty	D12/111
D785,716 S *	5/2017	Herlitz	D21/423
D805,136 S *	12/2017	Wright	D21/423

(**) Term: **15 Years**

(21) Appl. No.: **35/503,973**

(22) Filed: **Nov. 2, 2017**

* cited by examiner

(80) **Hague Agreement Data**

Int. Filing Date: **Nov. 2, 2017**

Int. Reg. No.: **DM/098343**

Int. Reg. Date: **Nov. 2, 2017**

Int. Reg. Pub. Date: **Nov. 17, 2017**

Primary Examiner — George D. Kirschbaum

Assistant Examiner — Joseph J Kukella

(74) *Attorney, Agent, or Firm* — Collard & Roe, P.C.

(30) **Foreign Application Priority Data**

Sep. 20, 2017 (EM) 004364206-0001

(51) **LOC (11) Cl.** **21-01**

(52) **U.S. Cl.**
USPC **D21/419; D21/423**

(58) **Field of Classification Search**
USPC D12/1, 107, 109, 110–113; D21/419,
D21/423

CPC ... B62K 9/00; B62K 3/00; B62K 3/02; B62K 3/04; B62K 3/06; B62K 3/08; B62K 3/10; B62K 11/00; B62K 11/007; B62B 7/00; B62B 7/006; B62B 7/04; B62B

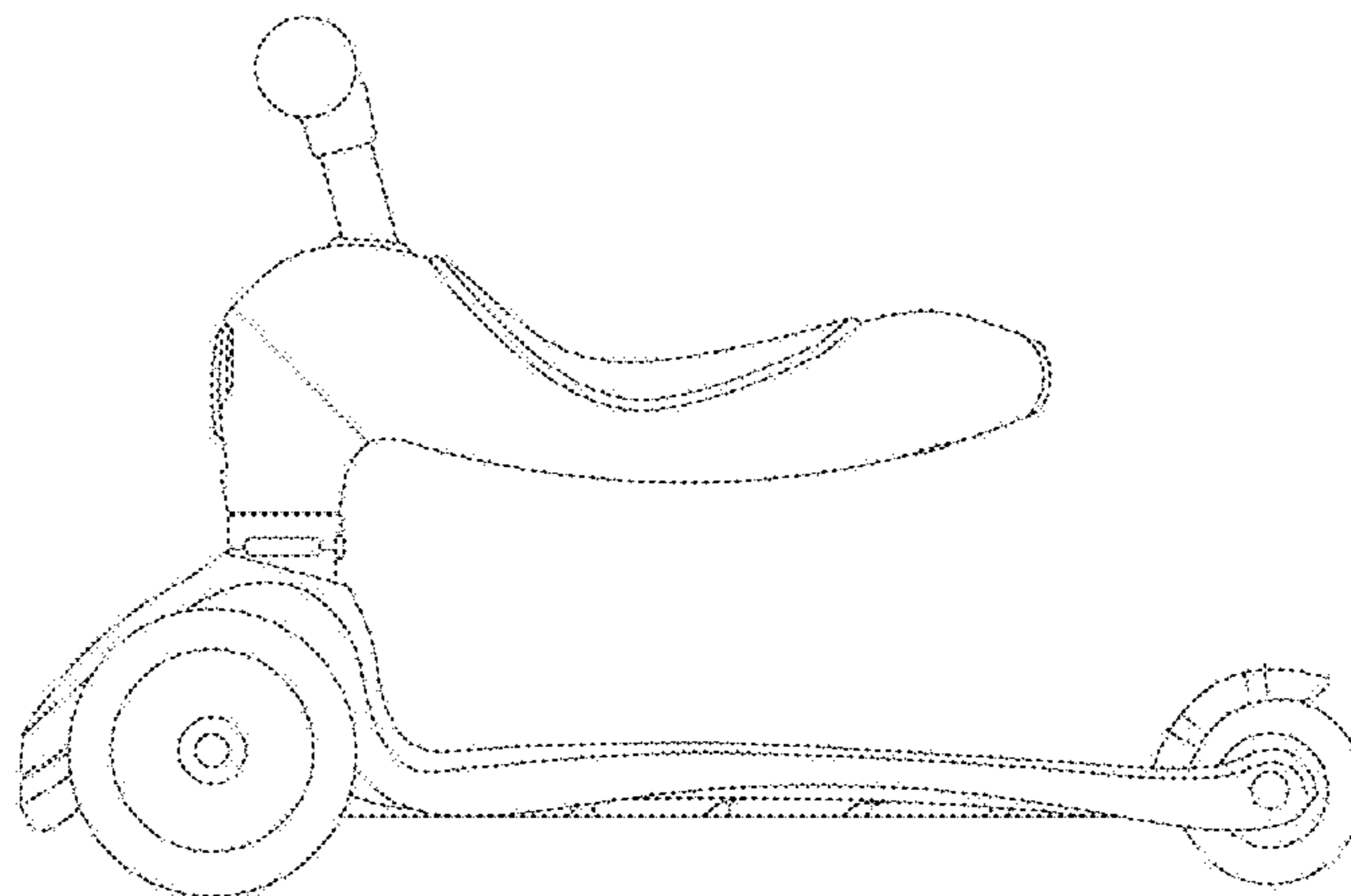
(57) **CLAIM**

The ornamental design for a scooter, as shown and described.

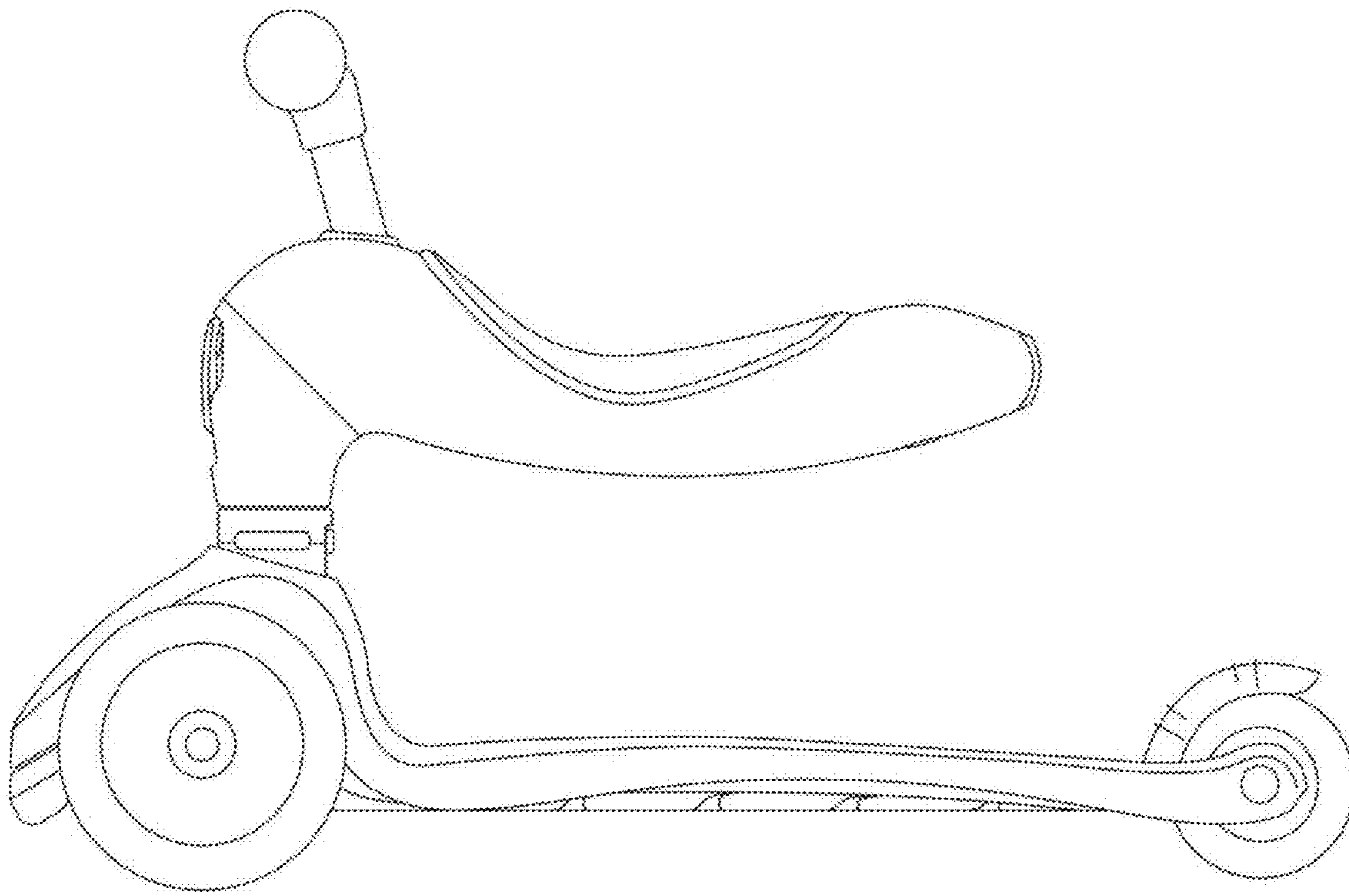
DESCRIPTION

- 1. Scooter
- 1.1 : Right
- 1.2 : Back
- 1.3 : Top
- 1.4 : Left
- 1.5 : Bottom
- 1.6 : Front

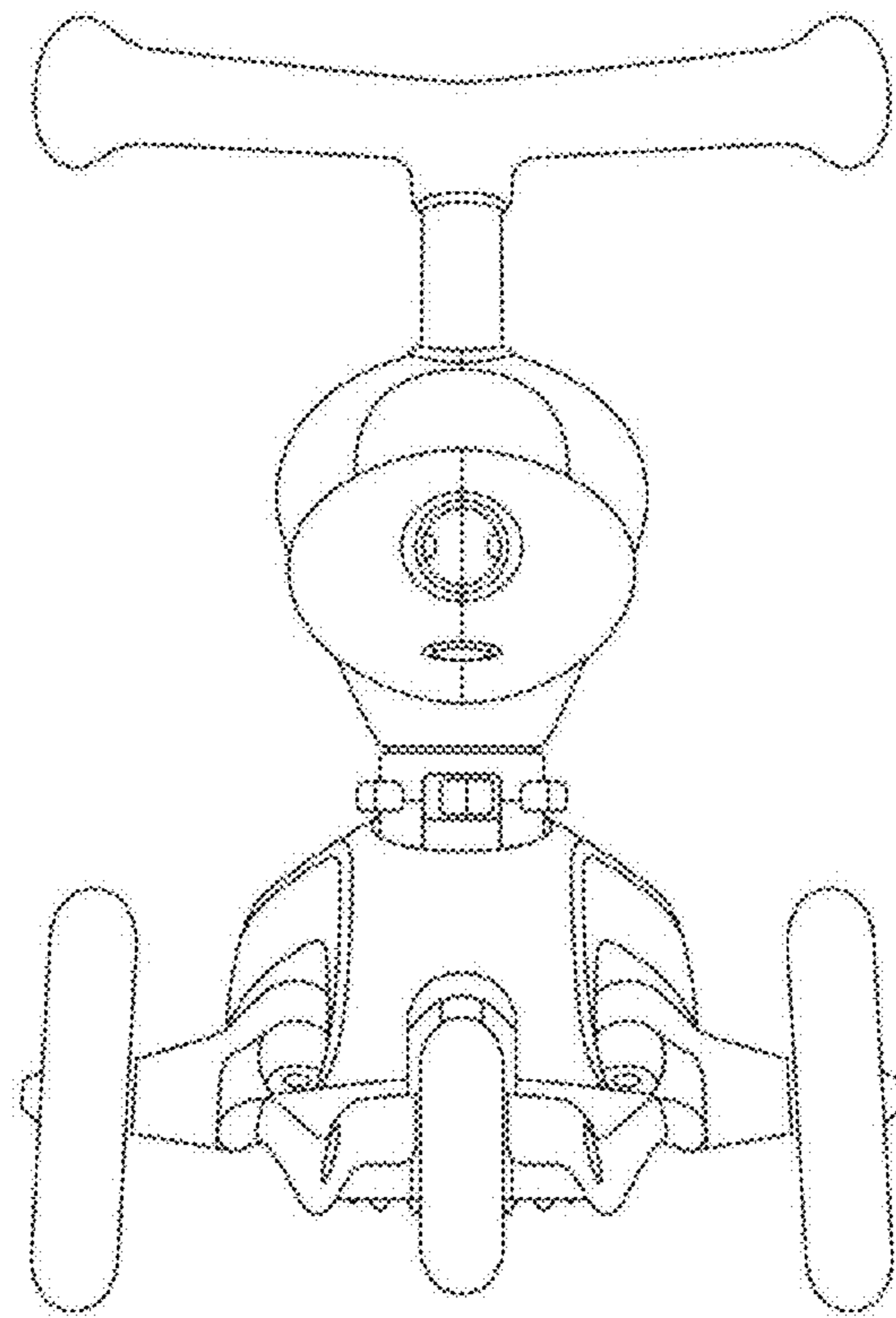
1 Claim, 6 Drawing Sheets



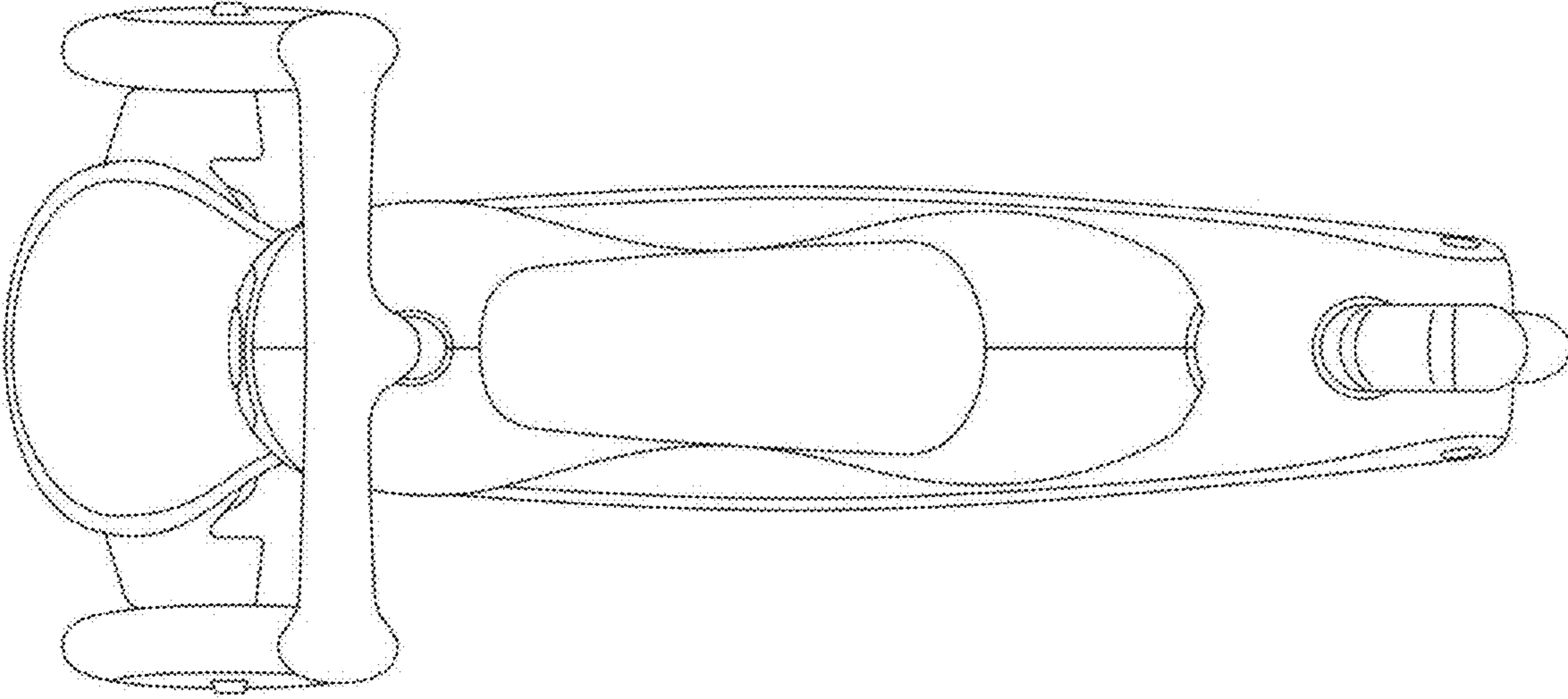
1.1



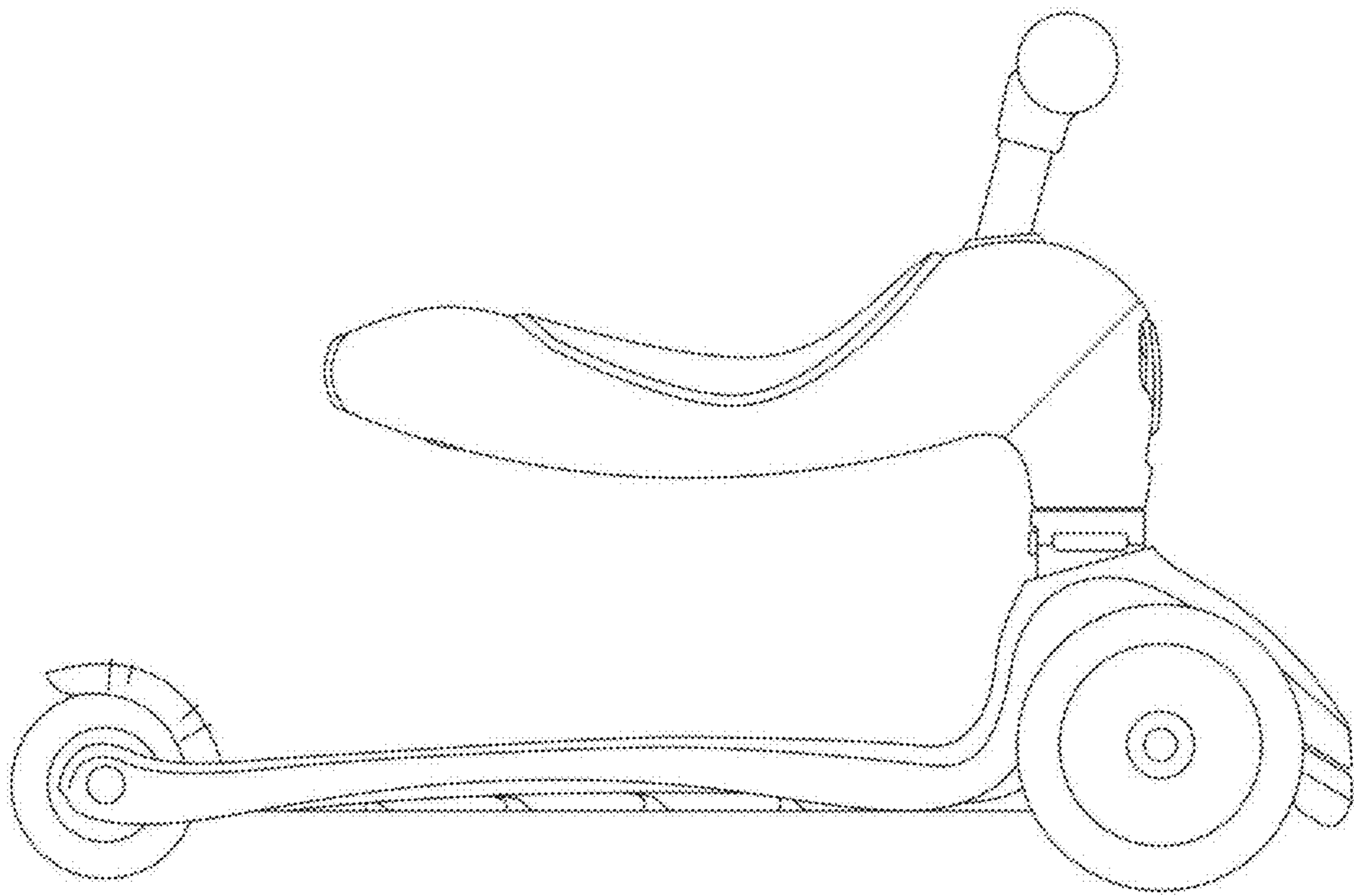
1.2



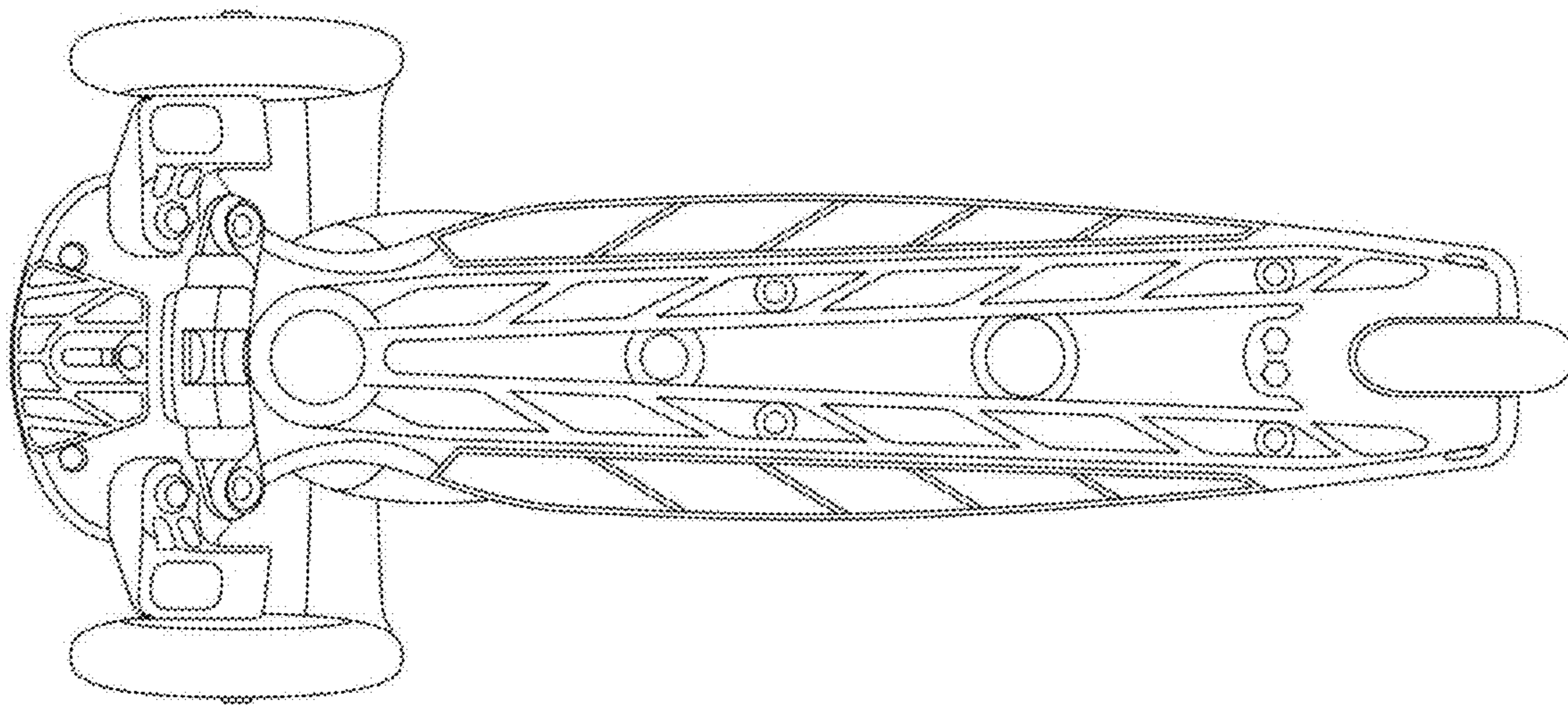
1.3



1.4



1.5



1.6

