



US00D842381S

(12) **United States Design Patent** (10) **Patent No.:** **US D842,381 S**
Loew (45) **Date of Patent:** **** *Mar. 5, 2019**

- (54) **ILLUMINATED SIGN**
- (71) Applicant: **Ring LLC**, Santa Monica, CA (US)
- (72) Inventor: **Christopher Loew**, Palo Alto, CA (US)
- (73) Assignee: **Amazon Technologies, Inc.**, Seattle, WA (US)
- (*) Notice: This patent is subject to a terminal disclaimer.
- (**) Term: **15 Years**
- (21) Appl. No.: **29/624,007**
- (22) Filed: **Oct. 29, 2017**

- 3,102,352 A * 9/1963 White G09F 7/18
248/219.2
- D213,907 S * 4/1969 Woofter D3/207
- D307,213 S * 4/1990 Scungio D3/207
- D315,695 S * 3/1991 DeCaro D10/109.1
- D330,686 S * 11/1992 Campagna D10/114.9
- D382,218 S * 8/1997 Hall D10/114.9
- D397,364 S * 8/1998 Barrett D10/109.1
- D399,260 S * 10/1998 Thimote D20/17
- D407,987 S * 4/1999 Dittmore D10/109.1
- D410,861 S * 6/1999 De Winter D10/109.1
- D425,812 S * 5/2000 Bodo D10/113.4
- D438,134 S * 2/2001 Sloven D10/109.1

(Continued)

Primary Examiner — Mary Ann Calabrese
Assistant Examiner — Sloan Rozin
(74) *Attorney, Agent, or Firm* — Chong IP Law, LLP

Related U.S. Application Data

- (63) Continuation of application No. 29/571,280, filed on Jul. 15, 2016, now Pat. No. Des. 804,578.
- (51) **LOC (11) Cl.** **20-02**
- (52) **U.S. Cl.**
USPC **D20/41**
- (58) **Field of Classification Search**
USPC D20/10, 11, 21–28, 37, 39–43, 99;
D10/54, 109, 109.1, 111, 113.4, 114,
D10/114.1, 121
CPC G09F 1/00; G09F 1/02; G09F 2003/023;
G09F 2003/0261; G09F 2003/0264; G09F
7/00; G09F 3/206; G09F 13/00; G09F
2007/1807; G09F 13/04; G09F
2013/0427; G09F 2013/0495; G09F 7/04;
G09D 3/00
See application file for complete search history.

(57) **CLAIM**

The ornamental design for an illuminated sign, as shown and described.

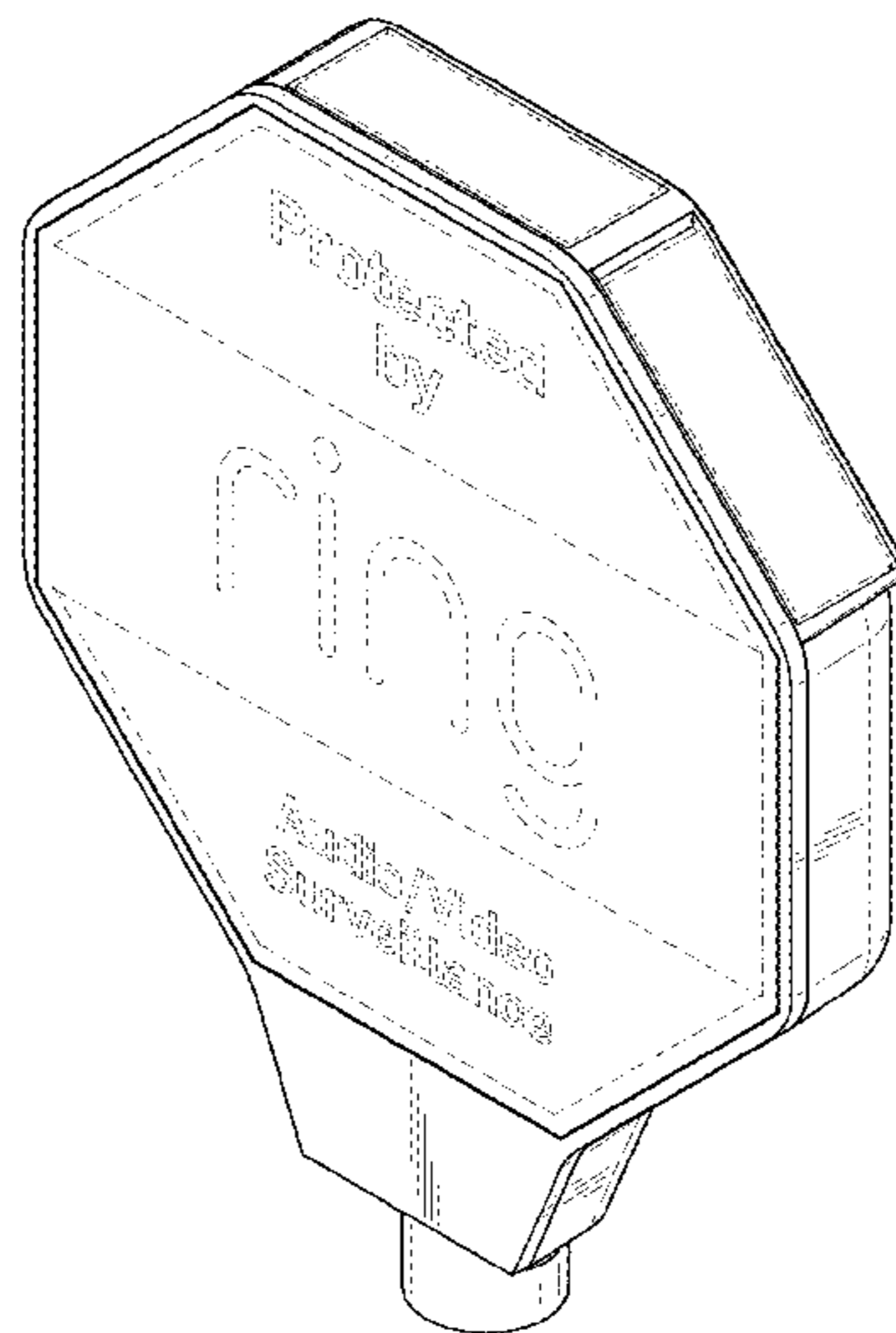
DESCRIPTION

FIG. 1 is a front perspective view of the illuminated sign according to the present design;
FIG. 2 is a front elevational view of the illuminated sign of FIG. 1;
FIG. 3 is a rear elevational view of the illuminated sign of FIG. 1;
FIG. 4 is a right-side elevational view of the illuminated sign of FIG. 1, the left-side elevational view being a mirror image thereof;
FIG. 5 is a top plan view of the illuminated sign of FIG. 1;
FIG. 6 is a bottom plan view of the illuminated sign of FIG. 1; and,
FIG. 7 is a front perspective view of the illuminated sign of FIG. 1, showing the illuminated sign in a manner of use.
In the drawings, the broken lines depict portions of the illuminated sign that form no part of the claimed design.

(56) **References Cited**
U.S. PATENT DOCUMENTS

- D59,626 S * 11/1921 Dunlap D10/109.1
- D60,872 S * 4/1922 Minoff D10/109.1

1 Claim, 6 Drawing Sheets



(56)

References Cited

U.S. PATENT DOCUMENTS

D440,512 S *	4/2001	Mugleston	D10/109.1
D446,379 S *	8/2001	Taylor	D99/29
6,519,884 B1 *	2/2003	Duhamel	G09F 7/00 40/606.19
D479,561 S *	9/2003	Meyer	D20/22
D487,406 S *	3/2004	Anderson	D10/109.1
D498,162 S *	11/2004	Evans	D10/109.1
D561,260 S *	2/2008	Ferry	D20/19
D664,055 S *	7/2012	Call	D10/109.1
D754,014 S *	4/2016	Hart	D10/109.1
D804,578 S *	12/2017	Loew	D20/41
2014/0165437 A1 *	6/2014	Barker	G09F 7/00 40/607.01

* cited by examiner

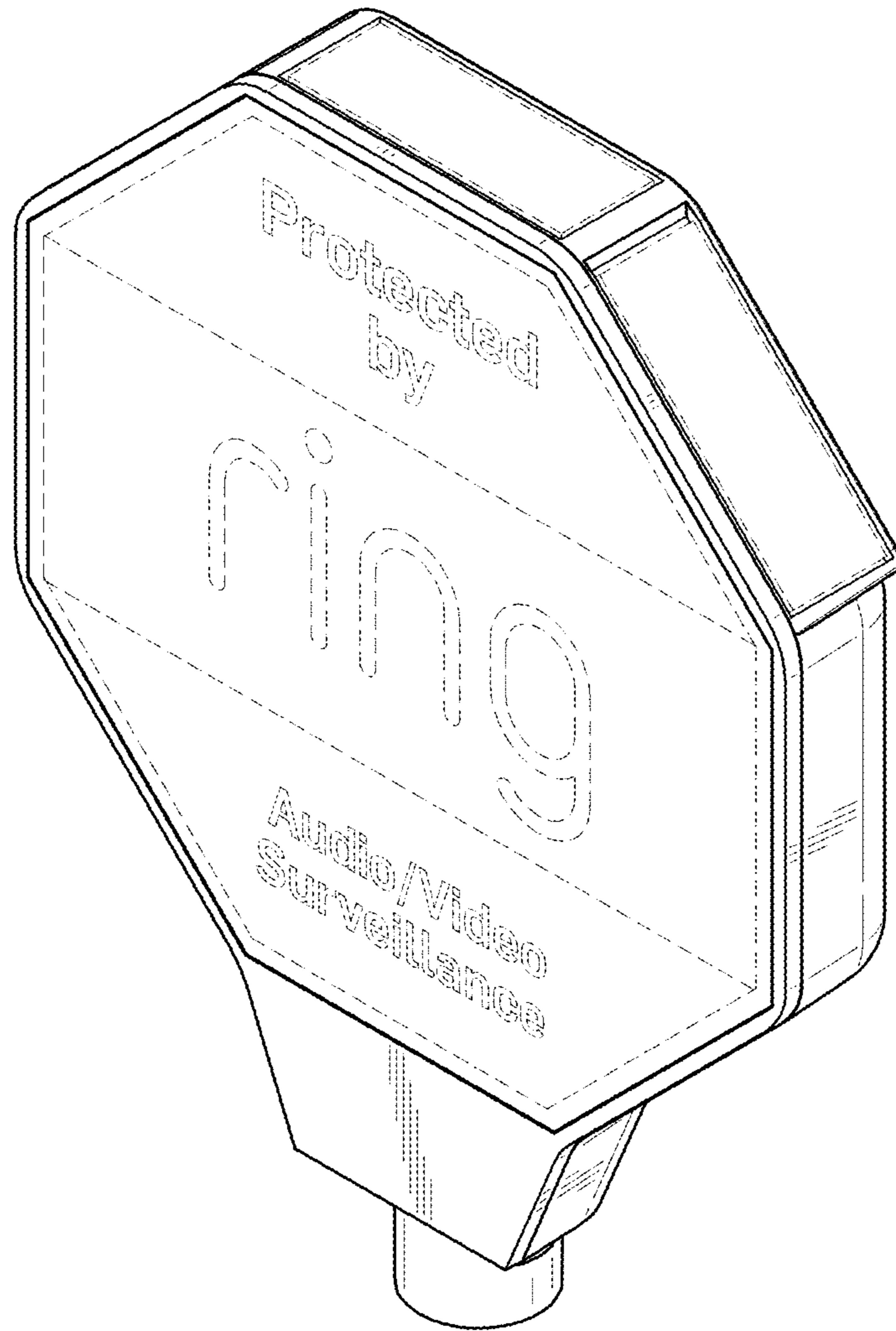


FIG. 1

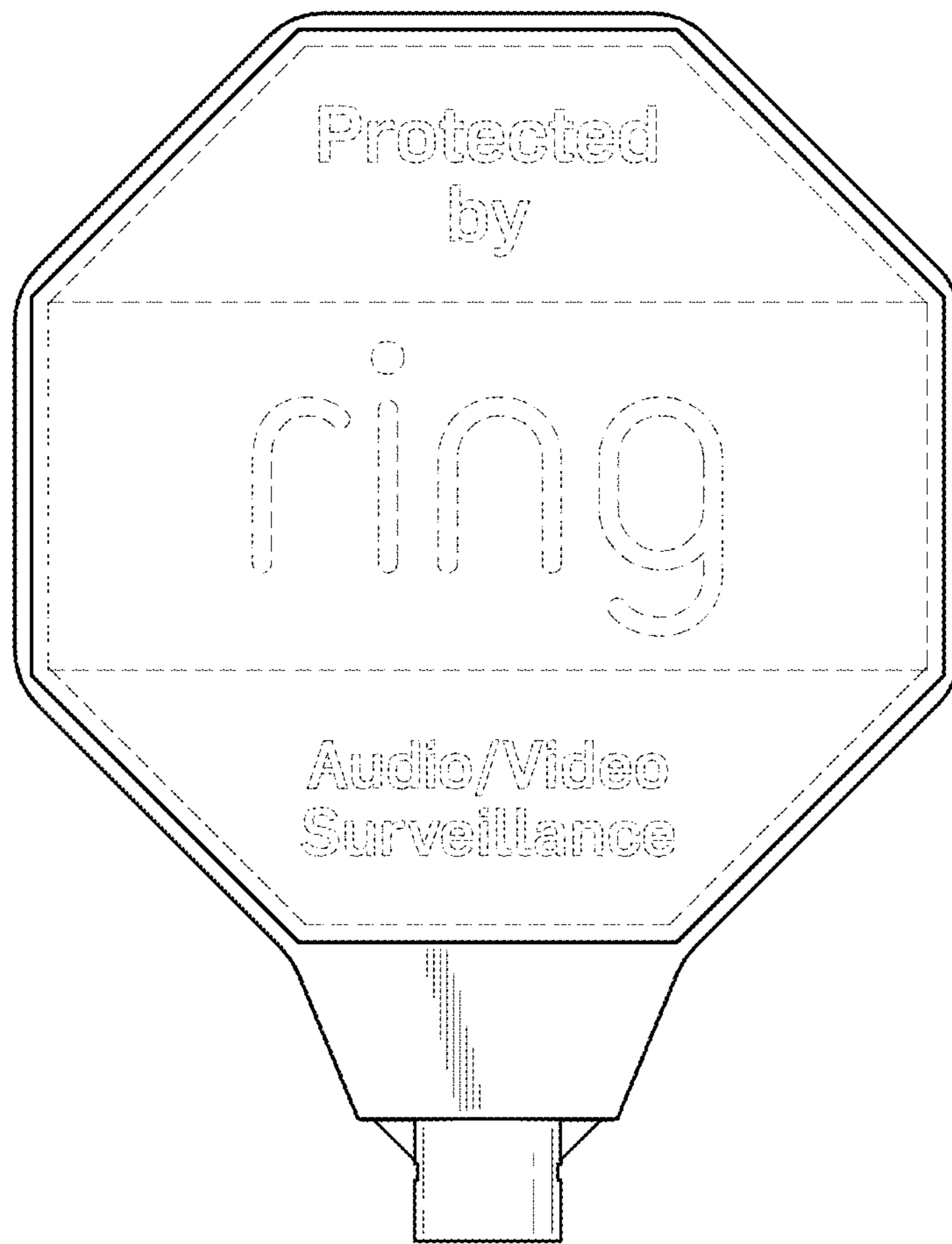


FIG. 2

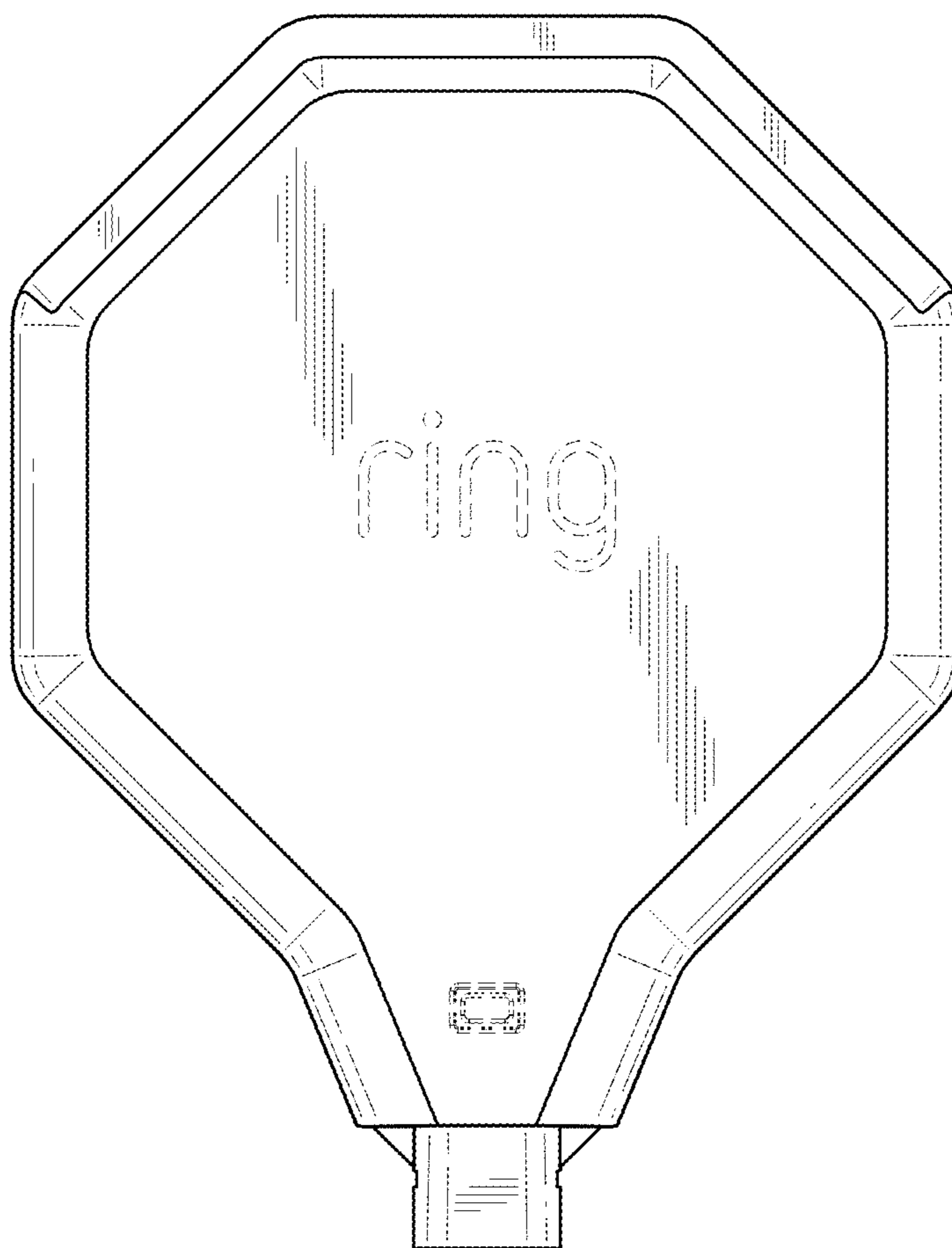


FIG. 3

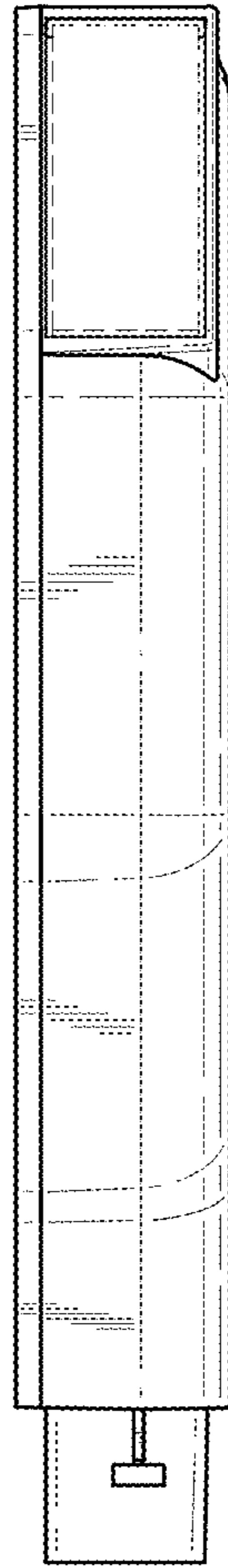


FIG. 4

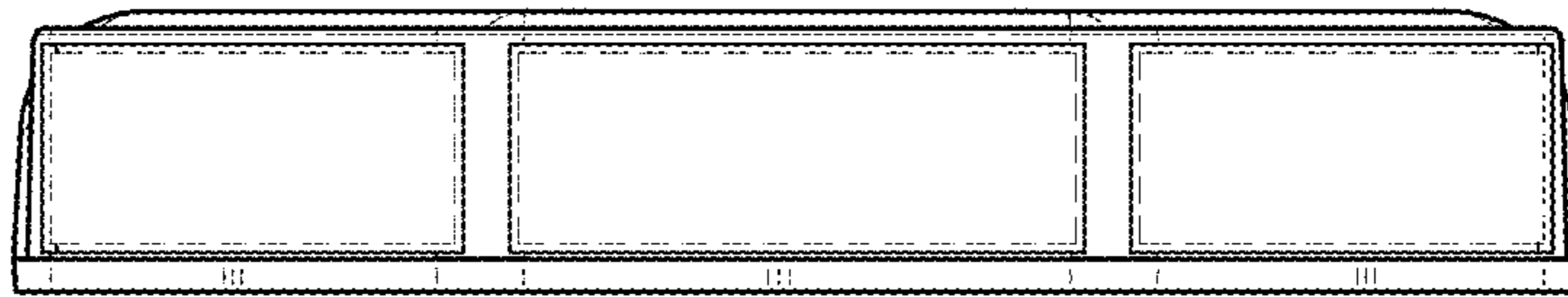


FIG. 5

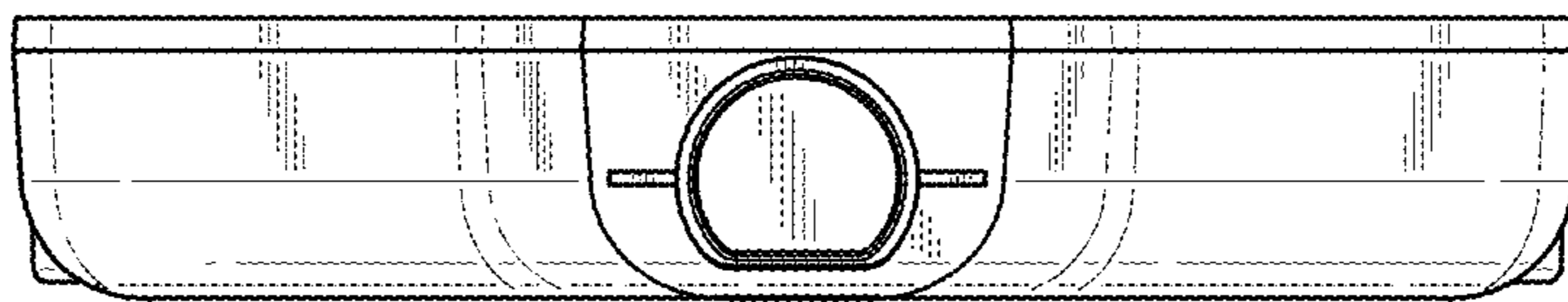


FIG. 6

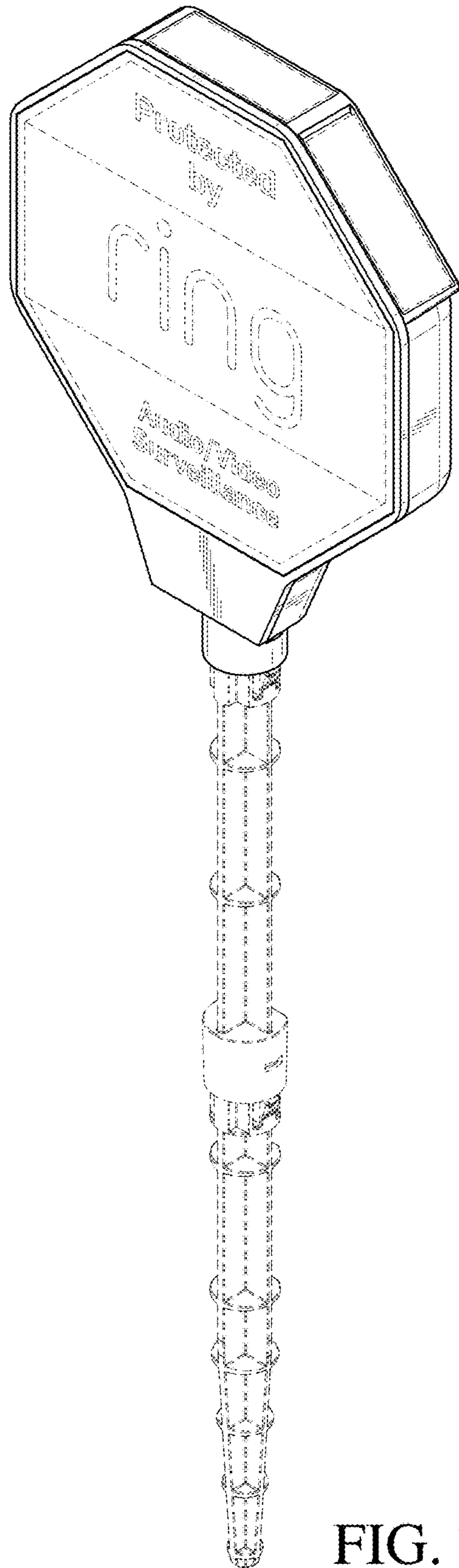


FIG. 7