



US00D842378S

(12) **United States Design Patent**  
**Meilhac**

(10) **Patent No.:** **US D842,378 S**

(45) **Date of Patent:** **\*\* Mar. 5, 2019**

(54) **PEN CAP**

(71) Applicant: **Cartier International AG**, Steinhausen (CH)

(72) Inventor: **Florian Meilhac**, Poissy (FR)

(73) Assignee: **Cartier International AG**, Steinhausen (CH)

(\*\*) Term: **15 Years**

(21) Appl. No.: **29/603,463**

(22) Filed: **May 10, 2017**

(30) **Foreign Application Priority Data**

Nov. 11, 2016 (WO) ..... 1356501

(51) **LOC (11) Cl.** ..... **19-06**

(52) **U.S. Cl.**  
USPC ..... **D19/195**

(58) **Field of Classification Search**  
USPC ..... D14/411; D19/115–204  
CPC . B43K 5/005; B43K 7/12; B43K 8/04; B43K 8/06; B43K 19/00; B43K 19/02; B43K 19/14; B43K 21/006; B43K 21/06  
See application file for complete search history.

(56) **References Cited**

**U.S. PATENT DOCUMENTS**

D84,943 S *	8/1931	Larsen	.....	D19/164
D85,500 S *	11/1931	Van Dorn	.....	D19/198
D102,720 S *	1/1937	Larsen	.....	D19/168
D111,301 S *	9/1938	Fish et al.	.....	D19/196
D249,887 S *	10/1978	Anderka	.....	D19/165
D258,217 S *	2/1981	Sakaoka	.....	D19/168

D259,574 S *	6/1981	Anderson	.....	D19/164
D266,769 S *	11/1982	Camps	.....	D19/169
D284,584 S *	7/1986	Zierhut	.....	D19/195
D323,349 S *	1/1992	Gomez	.....	D19/168
D323,529 S *	1/1992	Rousseau	.....	D19/168
D323,673 S *	2/1992	Gomez	.....	D19/169
D335,142 S *	4/1993	Katami	.....	D19/195
D335,143 S *	4/1993	Katami	.....	D19/195
D335,145 S *	4/1993	Katami	.....	D19/195
D404,764 S *	1/1999	Perry	.....	D19/168
D467,614 S *	12/2002	Pellissa Beneyto	.....	D19/170
D467,970 S *	12/2002	Pellissa Beneyto	.....	D19/169
D536,734 S *	2/2007	Bodino	.....	D19/195
D587,754 S *	3/2009	Cetera	.....	D19/195
D587,755 S *	3/2009	Cetera	.....	D19/195

\* cited by examiner

*Primary Examiner* — Elizabeth A. Albert

(74) *Attorney, Agent, or Firm* — Taft Stettinius & Hollister LLP

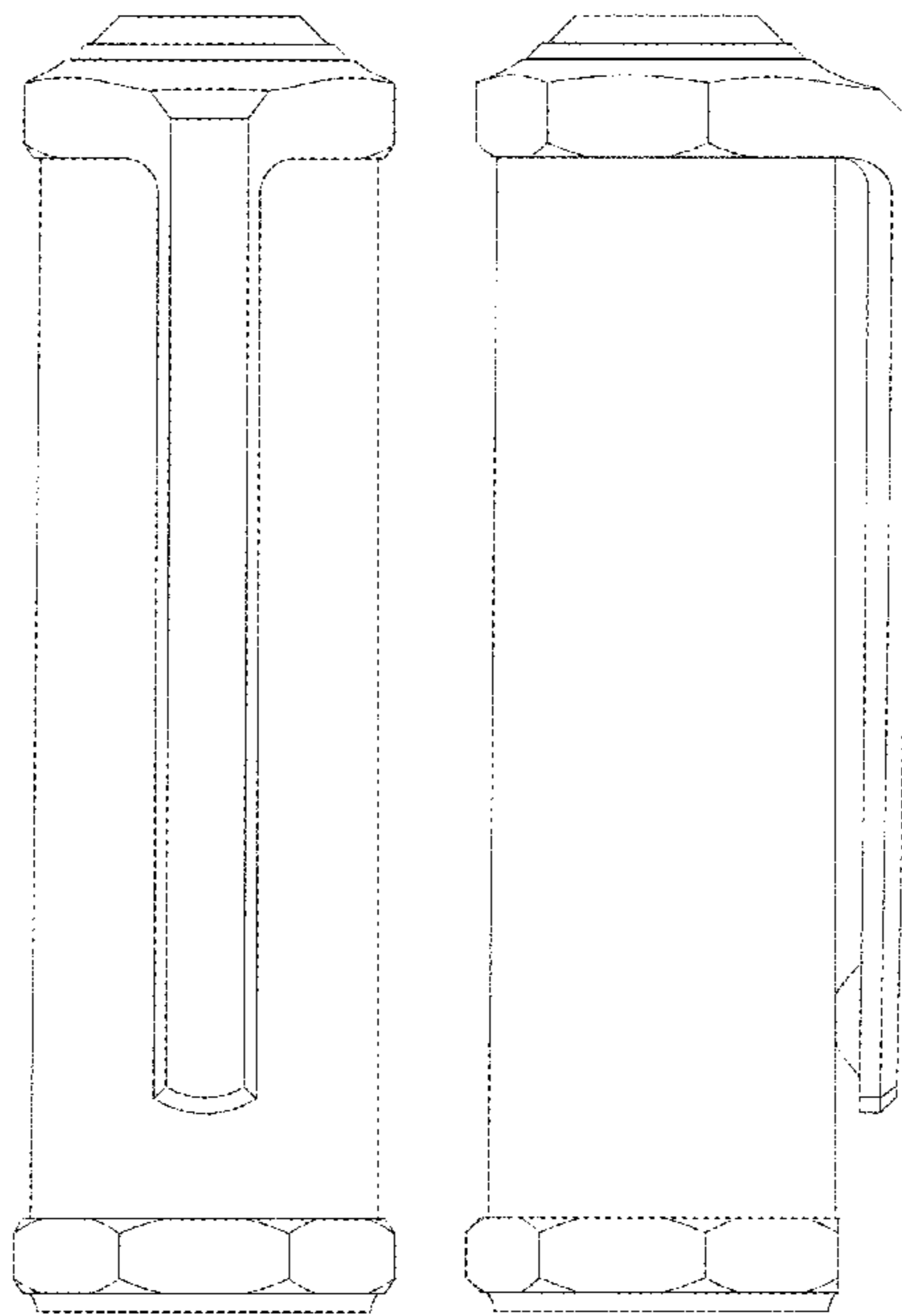
(57) **CLAIM**

The ornamental design for a pen cap, as shown and described.

**DESCRIPTION**

FIG. 1 is a front elevational view of a pen cap showing my new design;  
FIG. 2 is a rear elevational view thereof;  
FIG. 3 is a right side elevational view thereof;  
FIG. 4 is a left side elevational view thereof;  
FIG. 5 is a top plan view thereof;  
FIG. 6 is a bottom plan view thereof; and,  
FIG. 7 is a top, front perspective view thereof.  
The broken lines showing the inside of the cap in FIG. 6 are included to show a portion of the pen cap that forms no part of the claimed design.

**1 Claim, 7 Drawing Sheets**



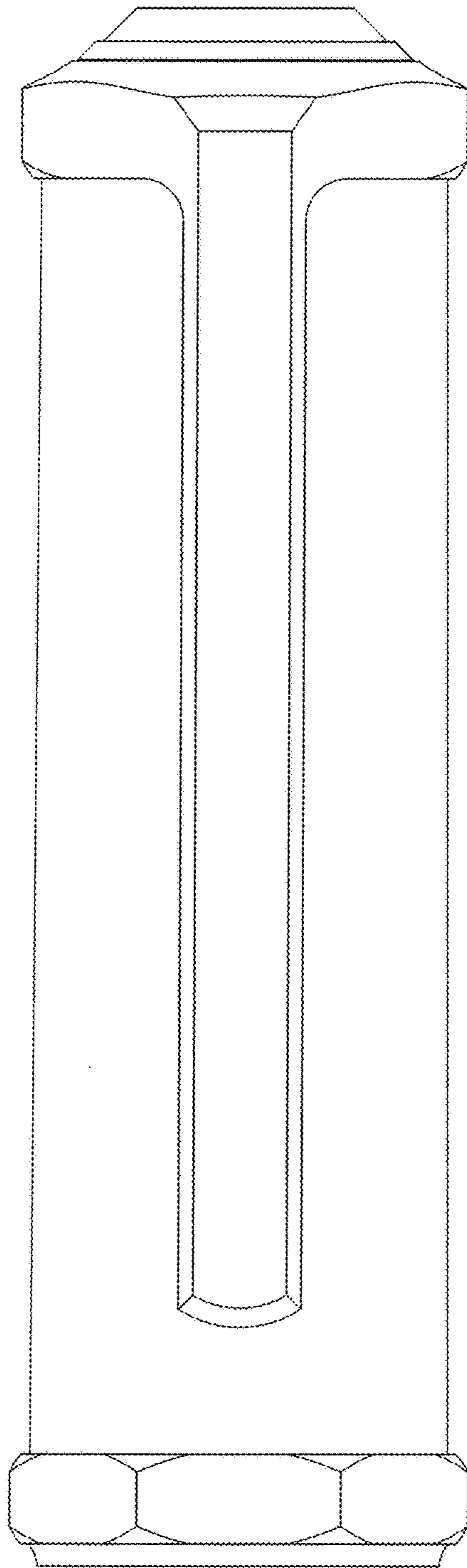


Fig. 1

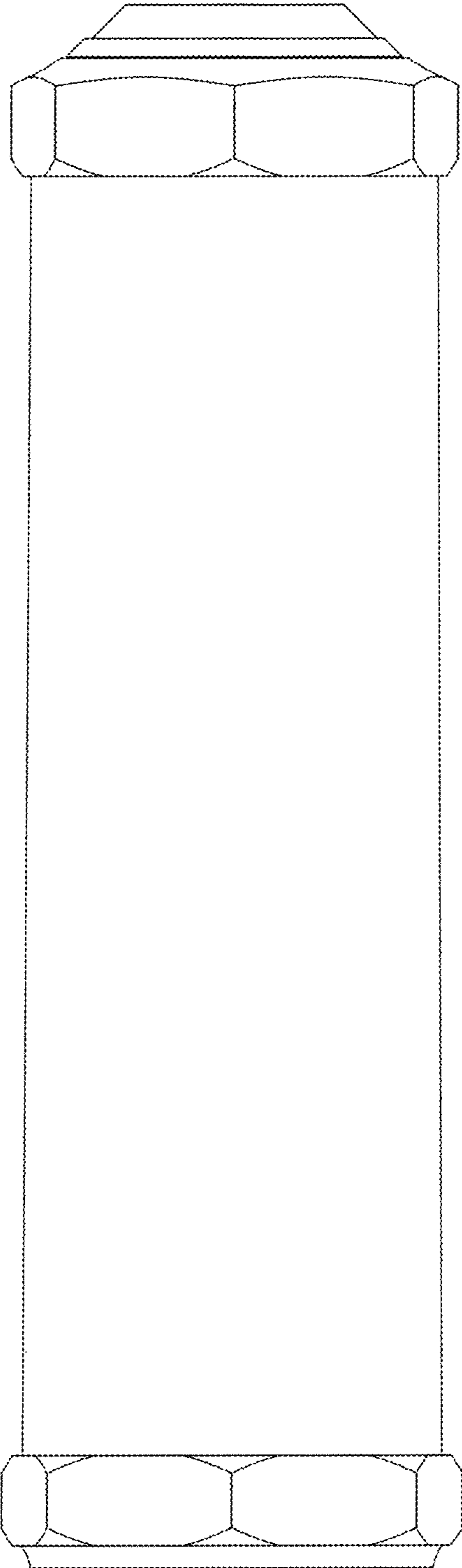


Fig. 2

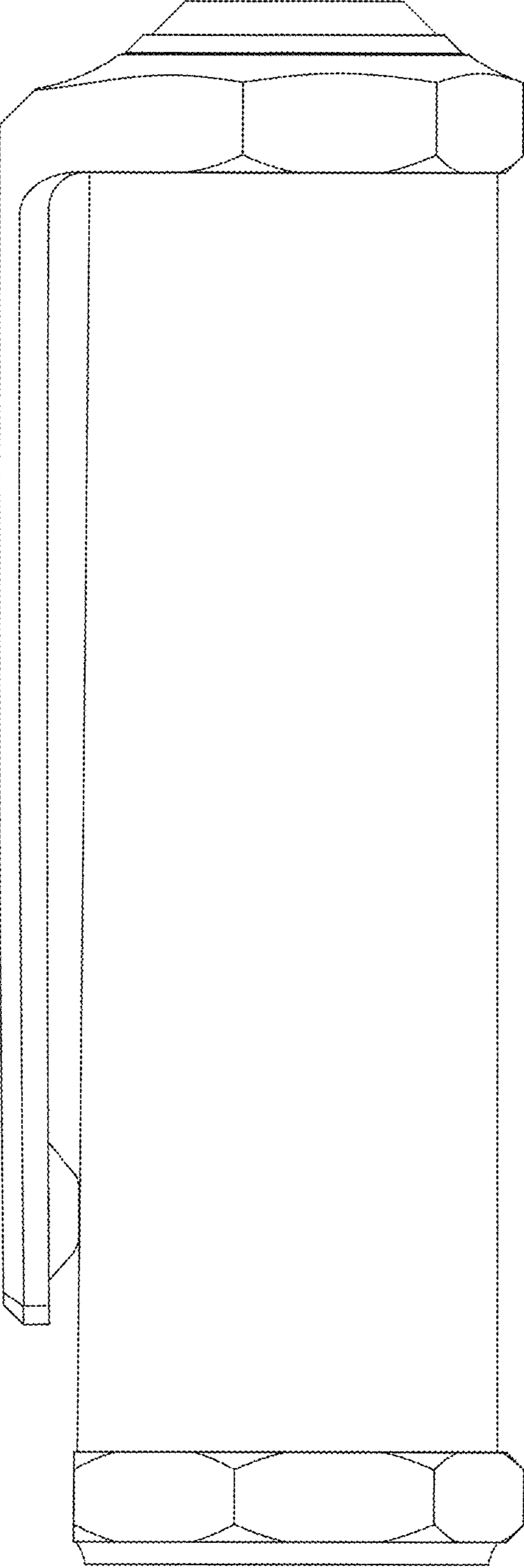


Fig. 3

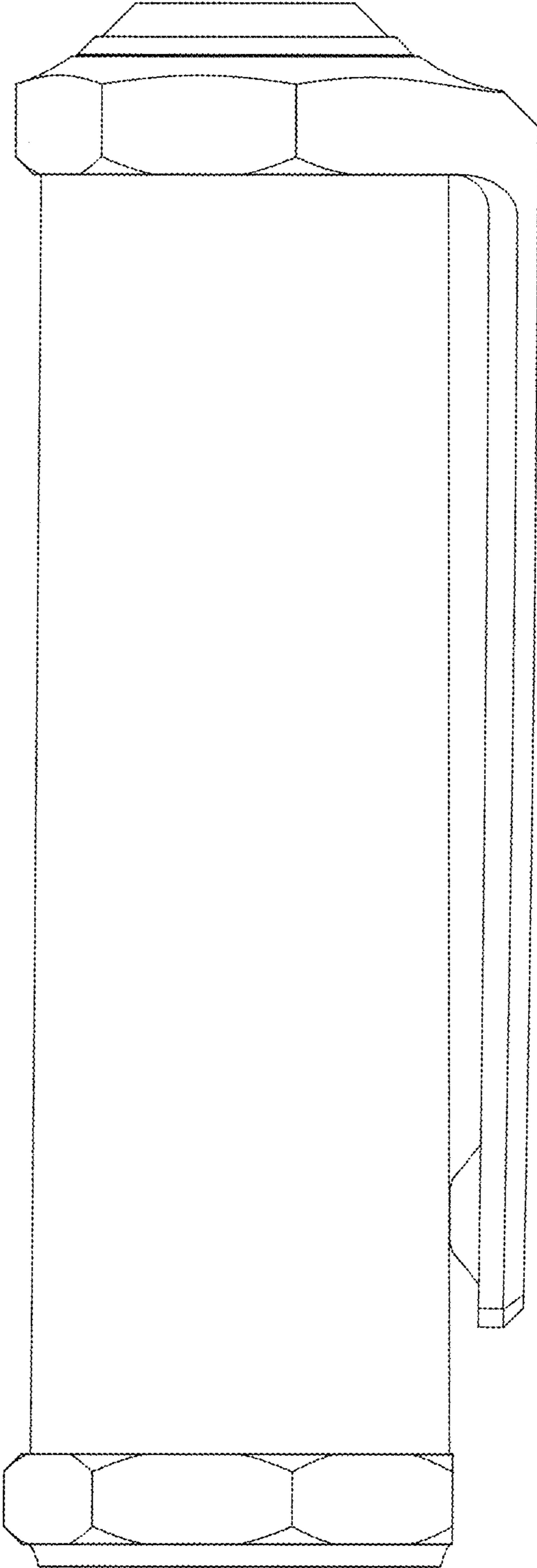


Fig. 4

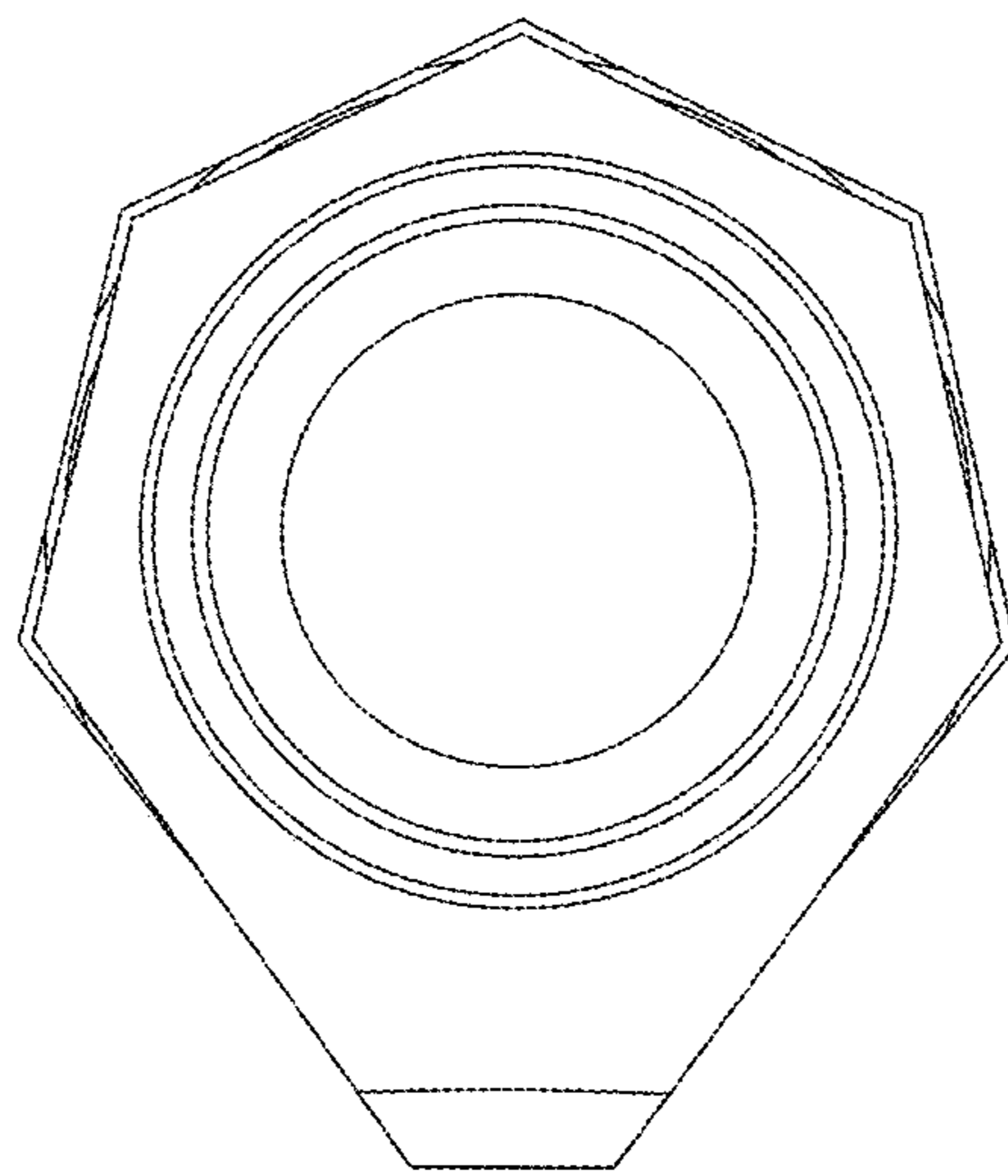


Fig. 5

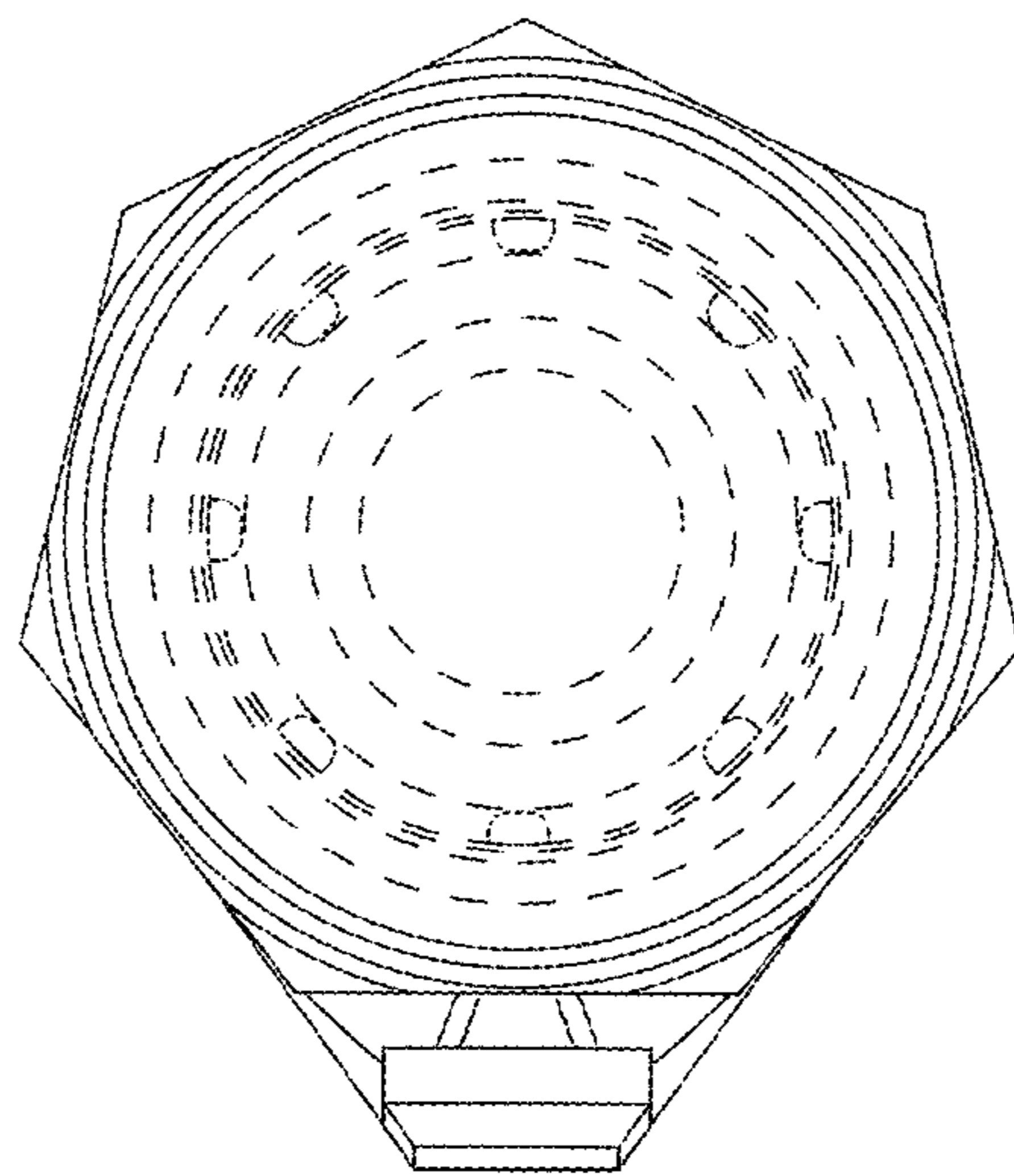


Fig. 6

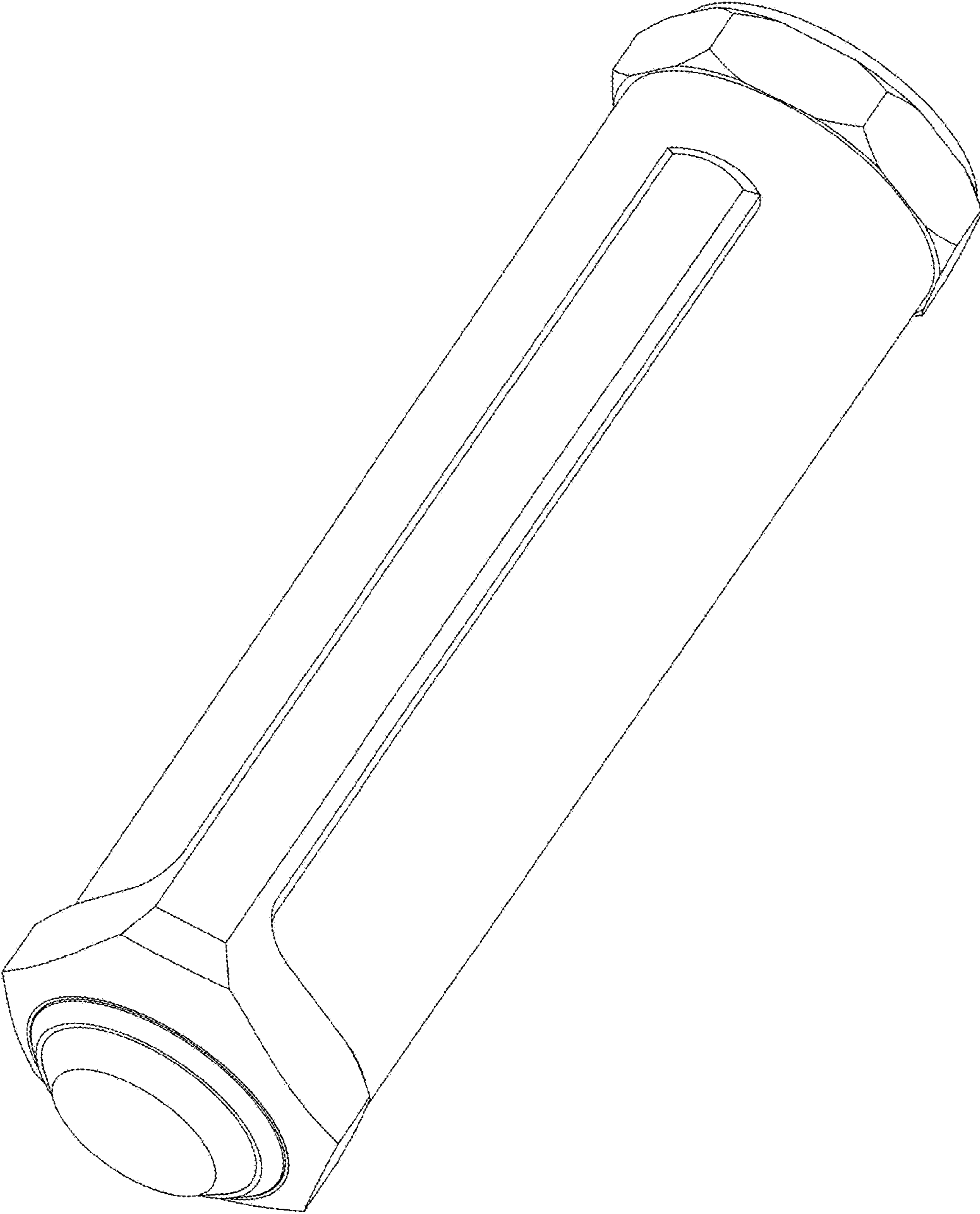


Fig. 7