



US00D842377S

(12) **United States Design Patent** (10) **Patent No.:** **US D842,377 S**
Hernandez et al. (45) **Date of Patent:** **** Mar. 5, 2019**

(54) **TAPE DISPENSER**
(71) Applicant: **3M INNOVATIVE PROPERTIES COMPANY**, St. Paul, MN (US)
(72) Inventors: **Alonso M. Hernandez**, St. Paul, MN (US); **Jacob T. Lusson**, Minneapolis, MN (US); **David Yoon**, Chicago, IL (US); **RichardLouie A. Reyes**, Chicago, IL (US); **Daniel A. Streng**, Elmwood Park, IL (US); **Mark D. Weiser**, Chicago, IL (US)

D242,077 S * 10/1976 Brickwood D14/202
D247,488 S * 3/1978 Ohtomo D14/202
D249,143 S * 8/1978 Ohtomo D14/203
D250,333 S * 11/1978 Meunier D14/203
D250,334 S * 11/1978 Meunier D14/203
D253,648 S * 12/1979 Ohtomo D14/203
D268,028 S * 2/1983 Ekuan D14/202
D278,810 S * 5/1985 Murphy D14/203
D331,072 S * 11/1992 Dotterman D19/67
D394,815 S * 6/1998 Jorss D10/33
D433,011 S * 10/2000 O'Donnell D14/202

(Continued)

(73) Assignee: **3M INNOVATIVE PROPERTIES COMPANY**, St. Paul, MN (US)

(**) Term: **15 Years**

(21) Appl. No.: **29/601,582**

(22) Filed: **Apr. 24, 2017**

(51) **LOC (11) Cl.** **19-02**

(52) **U.S. Cl.** **D19/69**
USPC

(58) **Field of Classification Search**
USPC D19/66, 67, 68, 69; D14/199, 202, 203
CPC B65H 35/0026; B65H 35/0033; B65H 35/004; B65H 35/0046; B65H 35/0073; B65H 35/0086; Y10T 225/20; Y10T 225/297; Y10T 156/18; Y10T 156/1348
See application file for complete search history.

(56) **References Cited**

U.S. PATENT DOCUMENTS

2,699,332 A * 1/1955 MacKenzie G03B 21/32
242/326.3
D200,804 S * 4/1965 Brown D14/203
D216,376 S * 12/1969 Hoyt D14/202
D234,315 S * 2/1975 Mansfield D14/203
D238,394 S * 1/1976 Akazawa D14/202
D241,574 S * 9/1976 Mukai et al. D14/202

OTHER PUBLICATIONS

“Record Player Tape Dispenser”, Project Sticky, [retrieved from the internet Apr. 21, 2017], <<http://www.projectsticky.com/record-player-tape-dispenser>>.

Primary Examiner — Elizabeth A. Albert

(74) *Attorney, Agent, or Firm* — Irina Hass

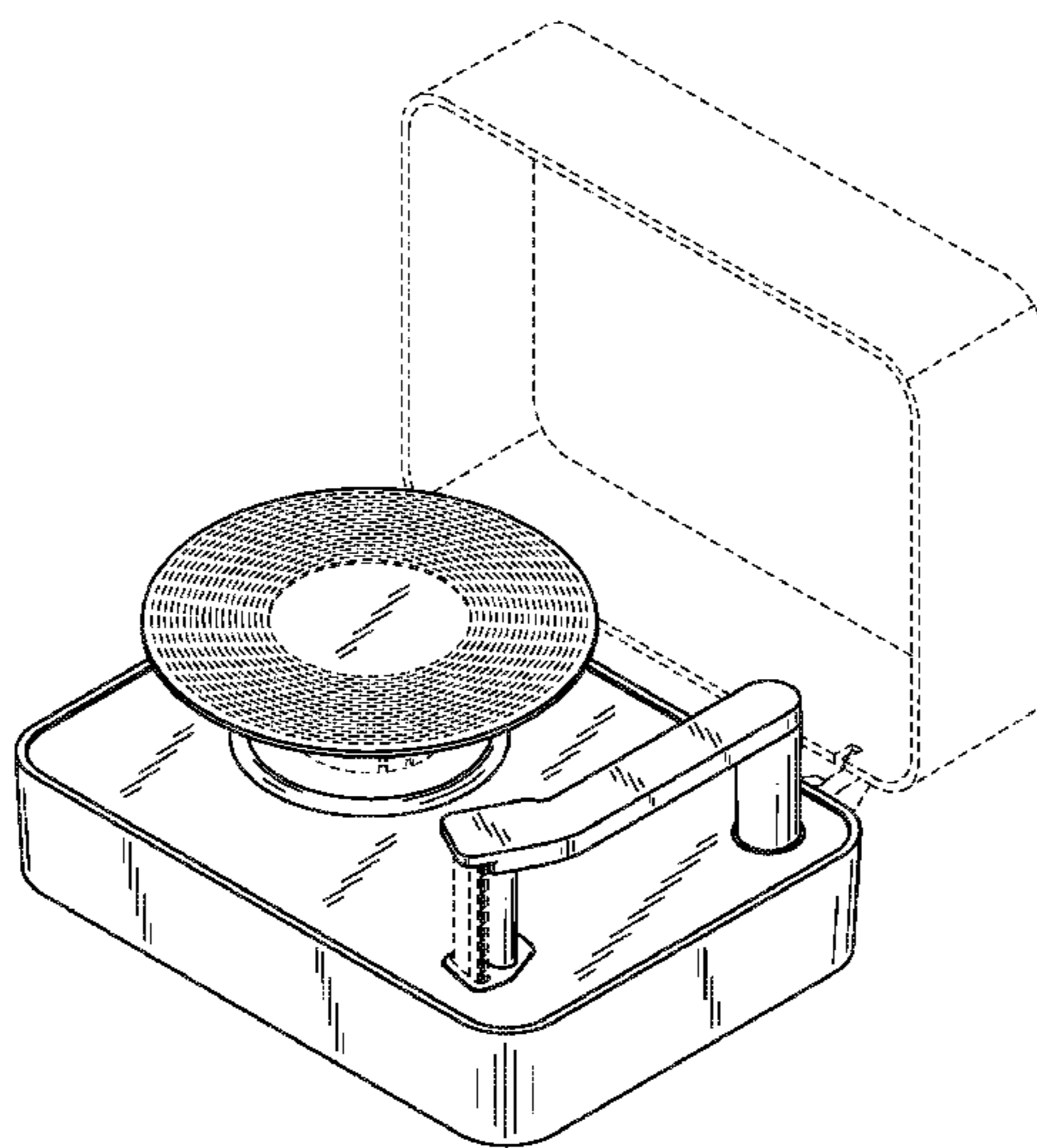
(57) **CLAIM**

The ornamental design for a tape dispenser, as shown and described.

DESCRIPTION

FIG. 1 is a perspective view showing the new design for a tape dispenser;
FIG. 2 is a front view thereof;
FIG. 3 is a top view thereof;
FIG. 4 is a left side view thereof;
FIG. 5 is a right side view thereof;
FIG. 6 is a rear view thereof;
FIG. 7 is a bottom view thereof;
FIG. 8 is a perspective view thereof in a closed position; and,
FIG. 9 is a perspective view thereof with a tape.
The portions of the dispenser in FIGS. 1-9 shown in broken lines are included to show features that form no part of the claimed design.

1 Claim, 5 Drawing Sheets



(56)

References Cited

U.S. PATENT DOCUMENTS

D485,303 S * 1/2004 Chen D19/67
D803,182 S * 11/2017 Czaniecki D14/203

* cited by examiner

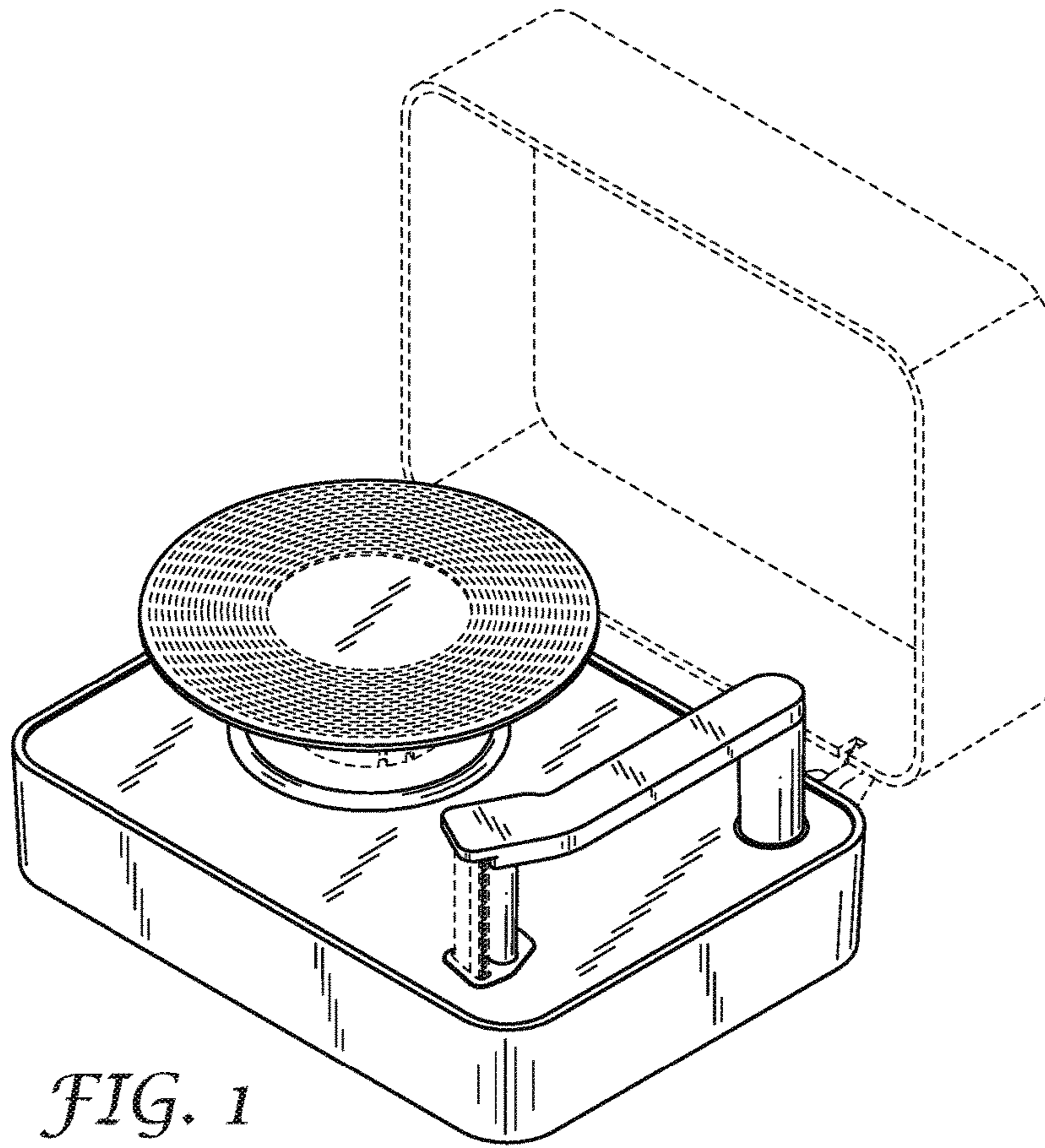


FIG. 1

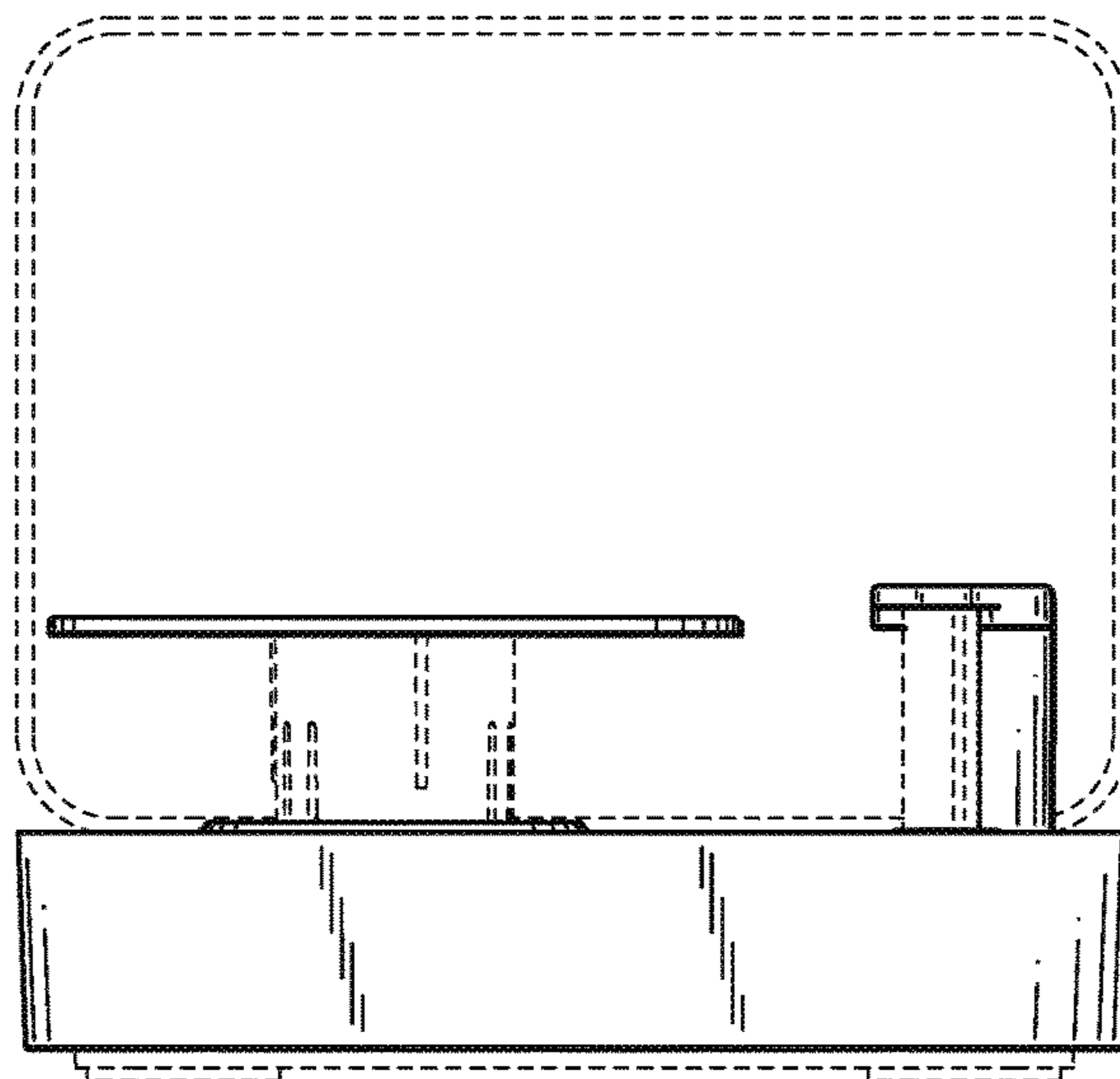


FIG. 2

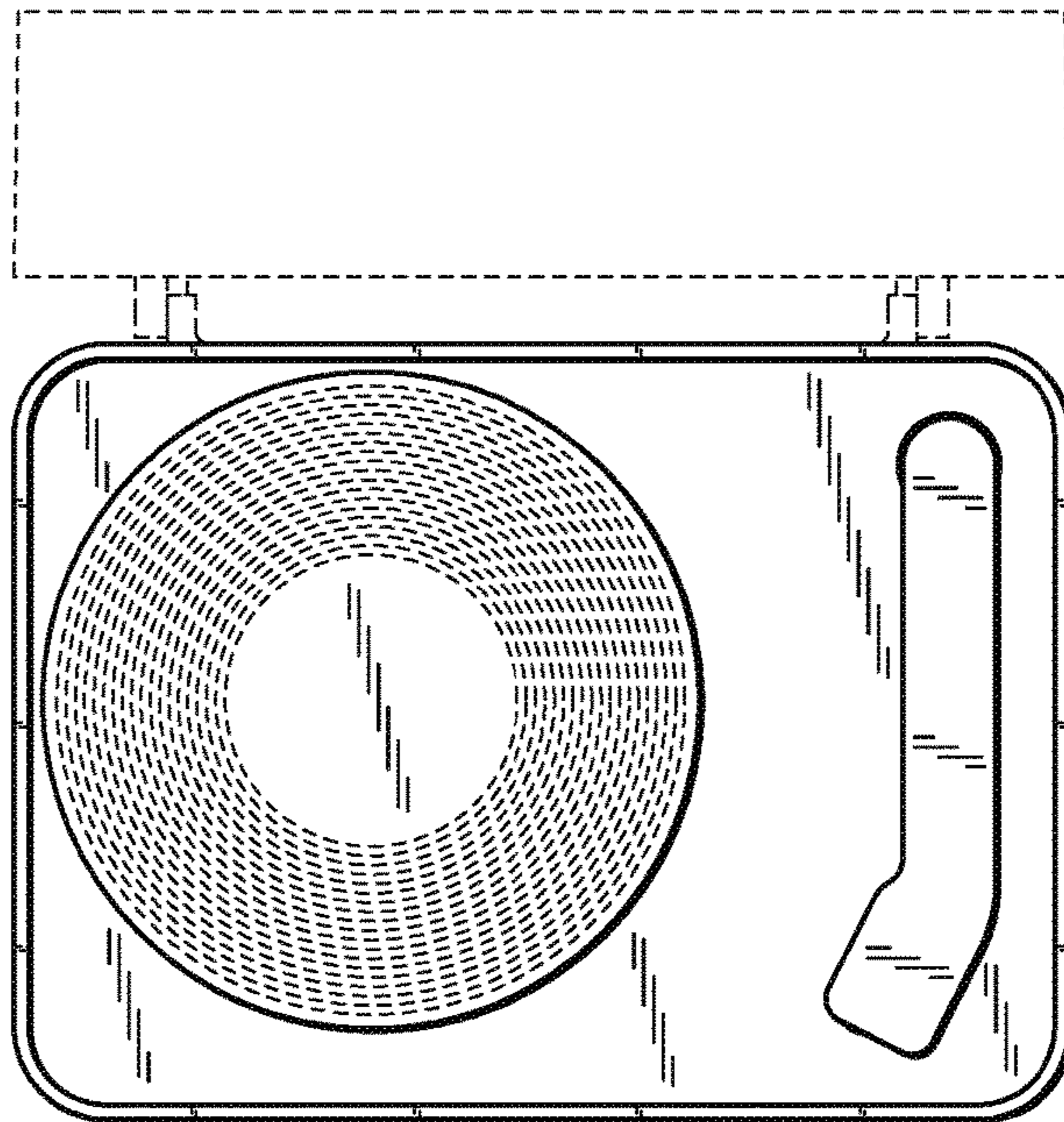


FIG. 3

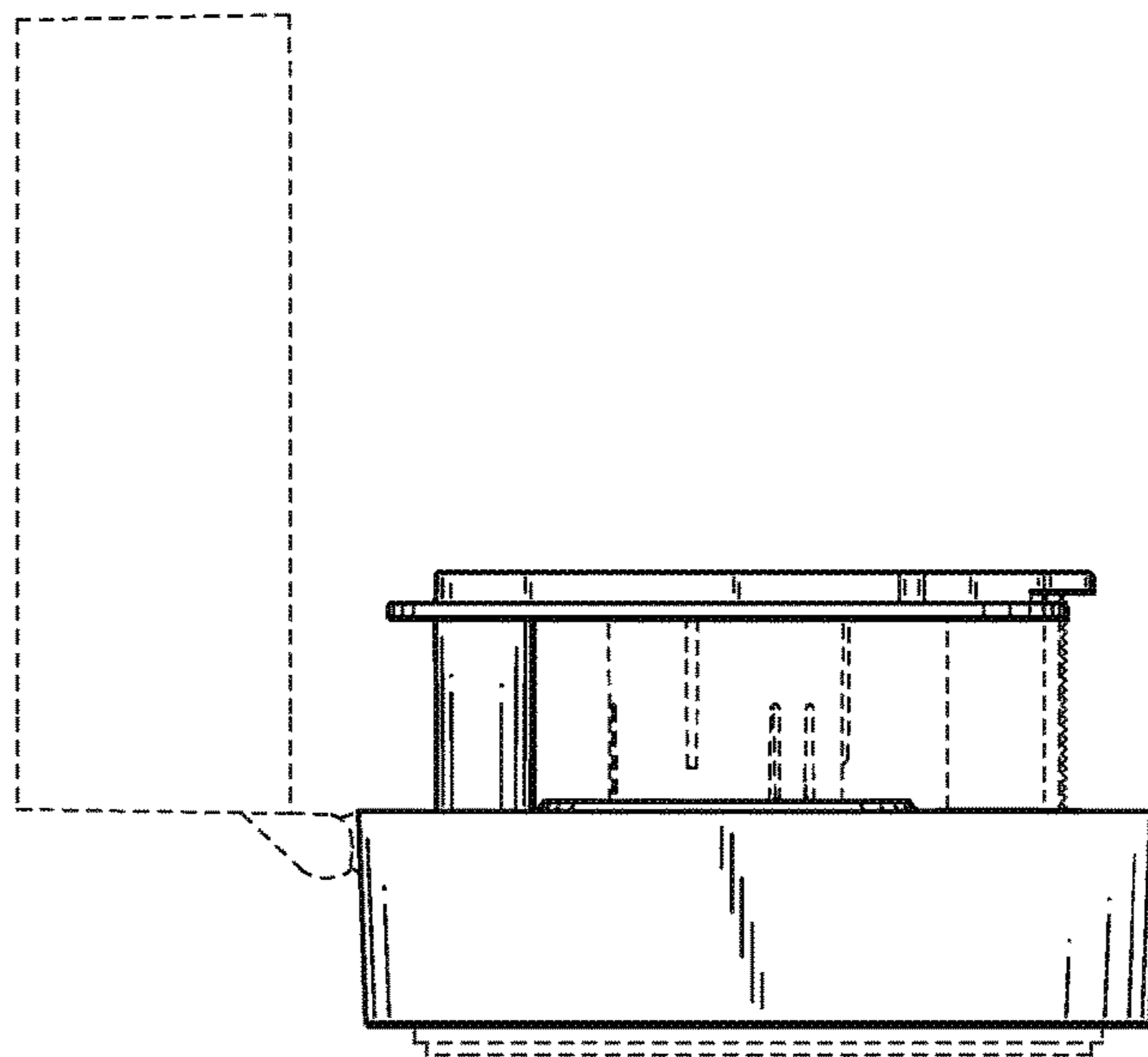


FIG. 4

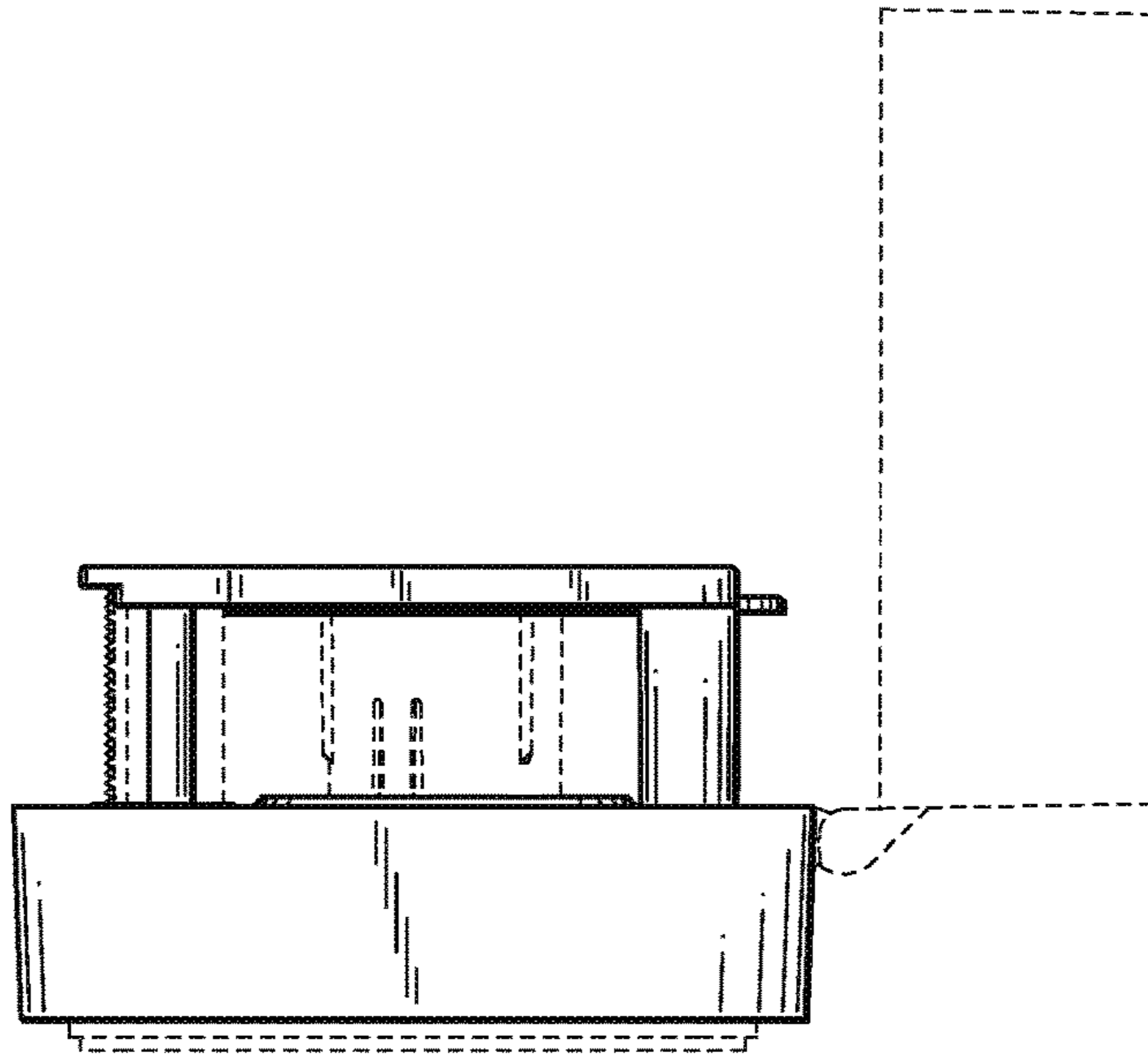


FIG. 5

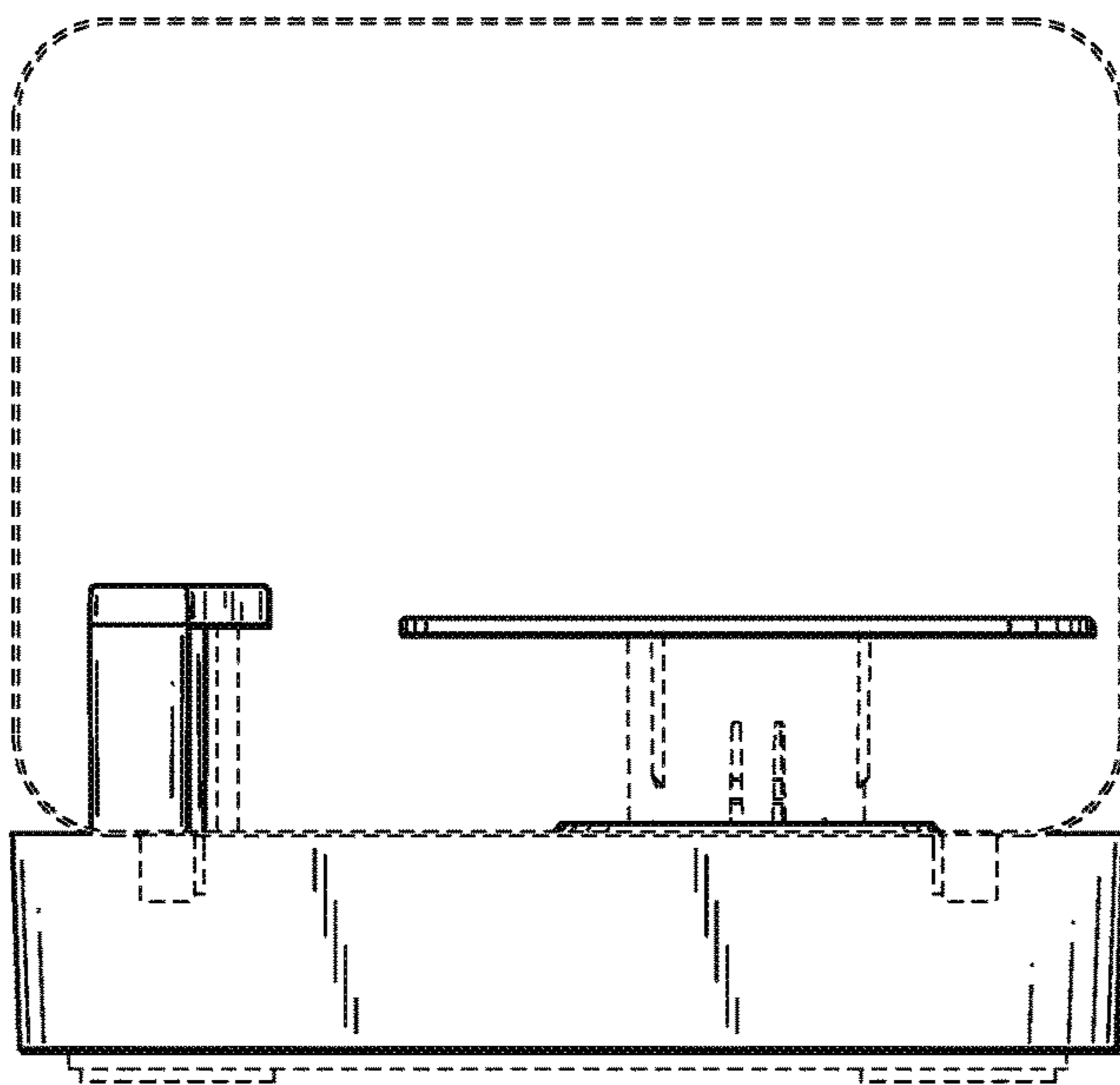


FIG. 6

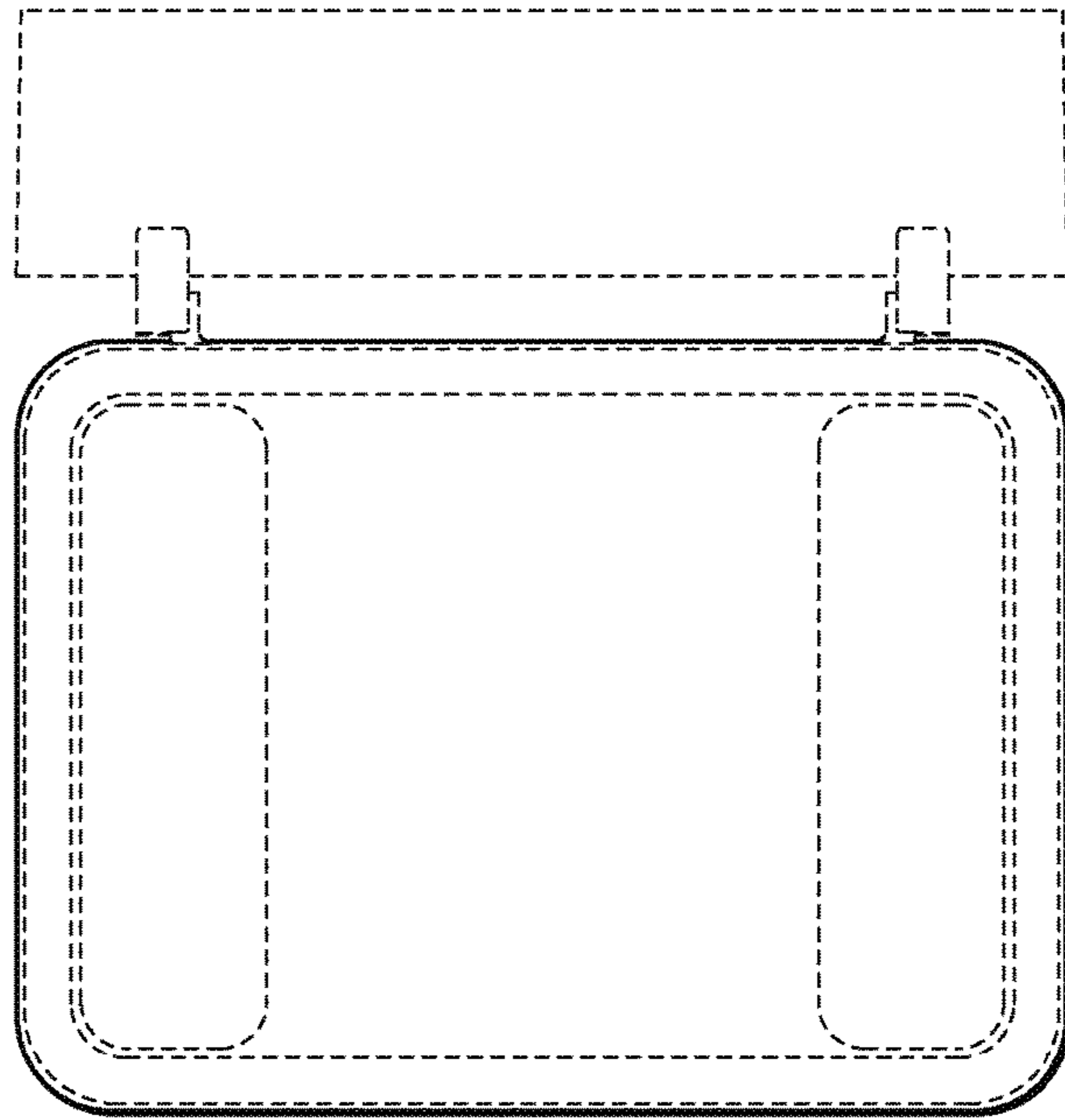


FIG. 7

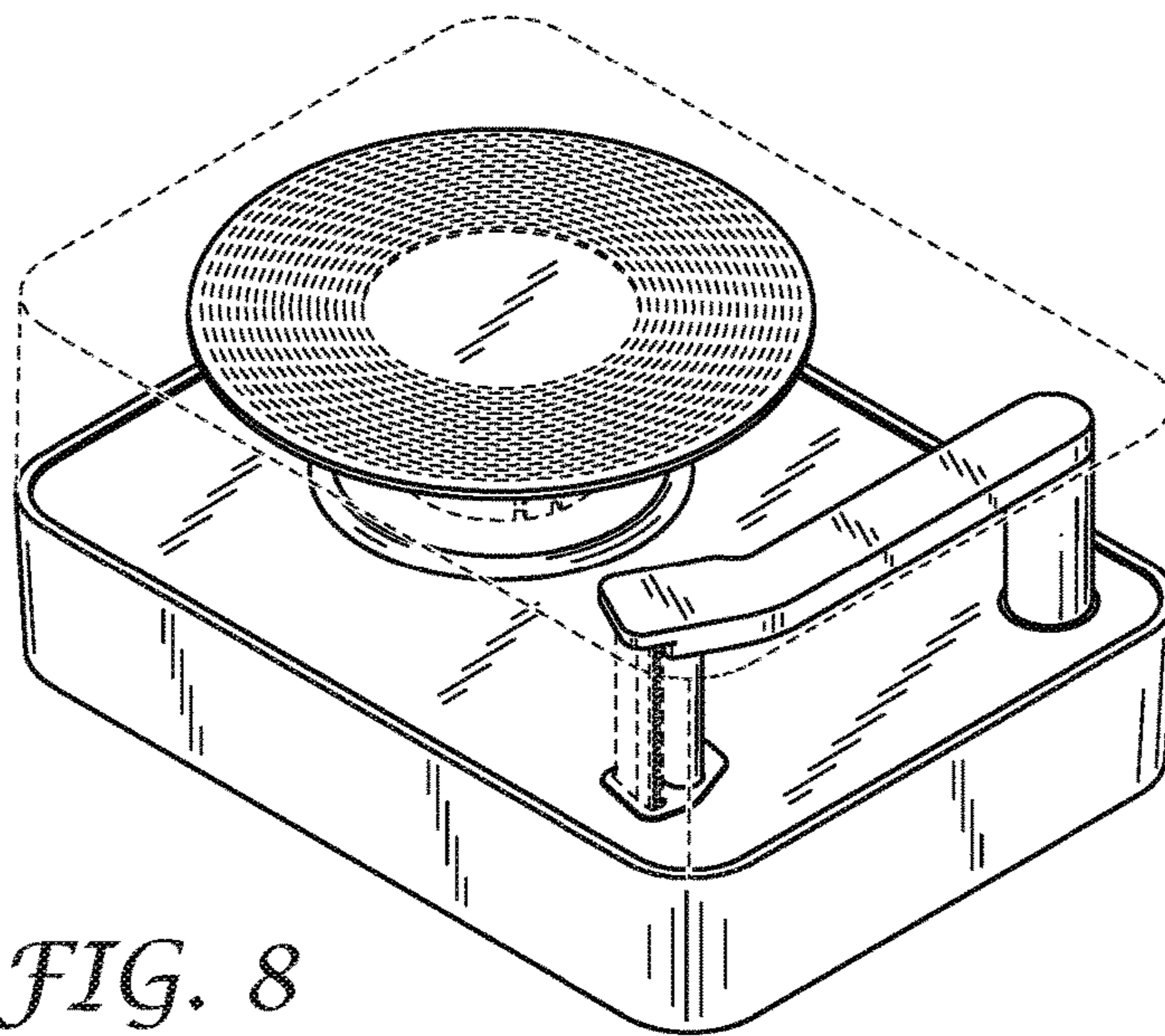


FIG. 8

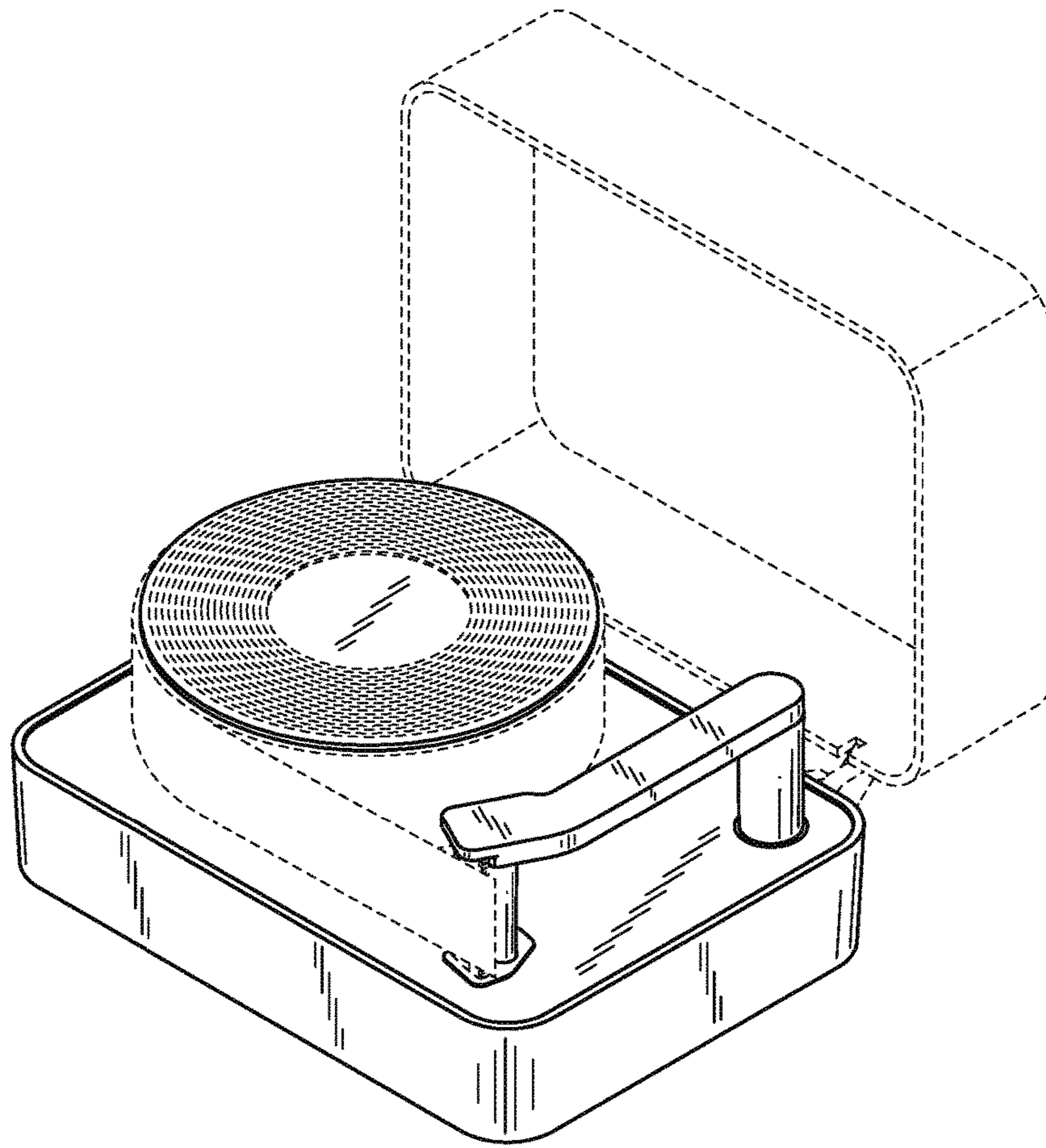


FIG. 9