



US00D842375S

(12) **United States Design Patent**
Gilsing

(10) **Patent No.:** **US D842,375 S**
(45) **Date of Patent:** **** Mar. 5, 2019**

(54) **BINDER**

(71) Applicant: **Roy Gilsing**, Rotterdam (NL)

(72) Inventor: **Roy Gilsing**, Rotterdam (NL)

(73) Assignee: **VESCOM INTERNATIONAL AG**,
Gersau (CH)

(**) Term: **15 Years**

(21) Appl. No.: **29/599,403**

(22) Filed: **Apr. 3, 2017**

(30) **Foreign Application Priority Data**

Dec. 2, 2016 (EM) 003497031

(51) **LOC (11) Cl.** **19-04**

(52) **U.S. Cl.**
USPC **D19/27**

(58) **Field of Classification Search**

USPC D19/26, 27, 32, 33, 34, 34.1-34.5, 124,
D19/100, 2, 3, 86, 91; D3/303, 227, 900;
D9/433, 634; D14/440

CPC G09F 5/00; G09F 5/02; G09F 5/04; G09F
2005/041; G09F 5/042; B42F 13/02;
B42F 13/04; B42F 13/06; B42F 13/08;
B42F 13/10; B42F 13/14; B42F 16/65

See application file for complete search history.

(56) **References Cited**

U.S. PATENT DOCUMENTS

1,496,335 A * 6/1924 Bennett B42F 13/04
402/2
D313,619 S * 1/1991 Moor D19/27
D319,659 S * 9/1991 Moor 281/15.1
D319,660 S * 9/1991 Moor 281/15.1

(Continued)

FOREIGN PATENT DOCUMENTS

CN 304314710 * 10/2017

OTHER PUBLICATIONS

Corporate Image. <URL: <http://www.corp-image.com/2016/10/choose-round-back-binders-to-square-away-your-papers/>> Visited Jan. 18, 2018. Round back binder.*

Primary Examiner — Bridget L Eland

Assistant Examiner — Lauren McVey

(74) *Attorney, Agent, or Firm* — Porzio, Bromberg & Newman P.C.

(57) **CLAIM**

I claim, the ornamental design for a binder, as shown and described.

DESCRIPTION

FIG. 1 is a perspective view of a binder, showing our new design;

FIG. 2 is a front elevation view thereof;

FIG. 3 is a rear elevation view thereof;

FIG. 4 is a right side elevation view thereof;

FIG. 5 is a left side elevation view thereof;

FIG. 6 is a top plan view thereof;

FIG. 7 is a bottom plan view thereof;

FIG. 8 is a perspective view of the binder of FIG. 1, shown in an open position in order to show aspects of the design not otherwise apparent;

FIG. 9 is a front view thereof;

FIG. 10 is a rear view thereof;

FIG. 11 is a right side elevation view thereof;

FIG. 12 is a left side elevation view thereof;

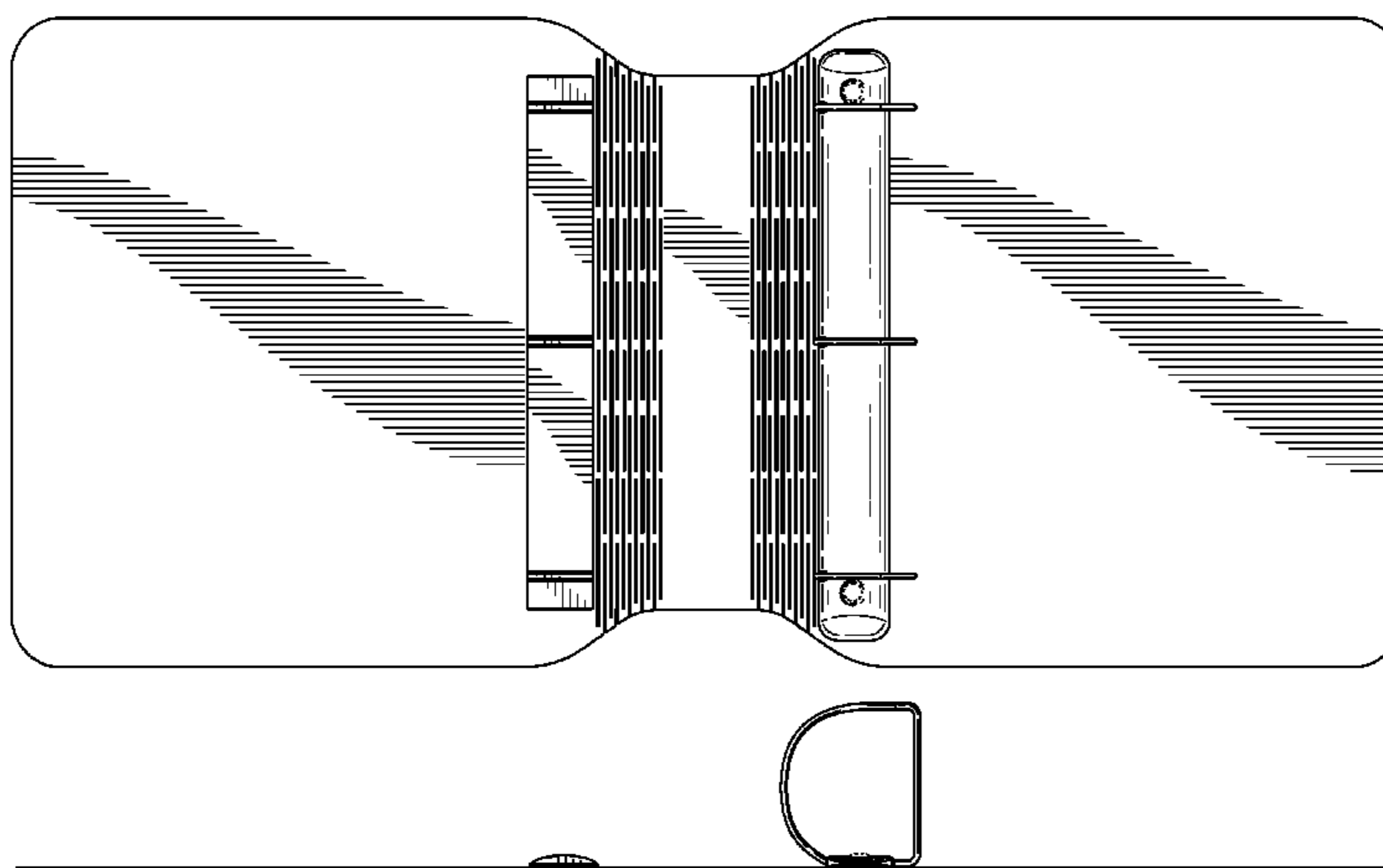
FIG. 13 is a top plan view thereof; and,

FIG. 14 is a bottom plan view thereof.

The broken lines immediately adjacent to the claim represent the bounds of the claimed design, while all other broken lines are directed to environment and are for illustrative purposes only; the broken lines form no part of the claimed design.

The straight shading shown in the views are intended to represent surface shading.

1 Claim, 10 Drawing Sheets



(56)

References Cited

U.S. PATENT DOCUMENTS

D446,810	S *	8/2001	Faulstich	D19/27
D569,426	S *	5/2008	Stockstill	D19/26
D591,343	S *	4/2009	Hussy	D19/27
D594,057	S *	6/2009	Hussey	D19/27
D731,592	S *	6/2015	Rowe	D19/27
D752,683	S *	3/2016	Rowe	D19/27
D757,174	S *	5/2016	Rowe	D19/27
9,683,714	B1 *	6/2017	Gunawan	F21V 3/049
2004/0042844	A1 *	3/2004	Ettro	B42F 21/00 402/73

* cited by examiner

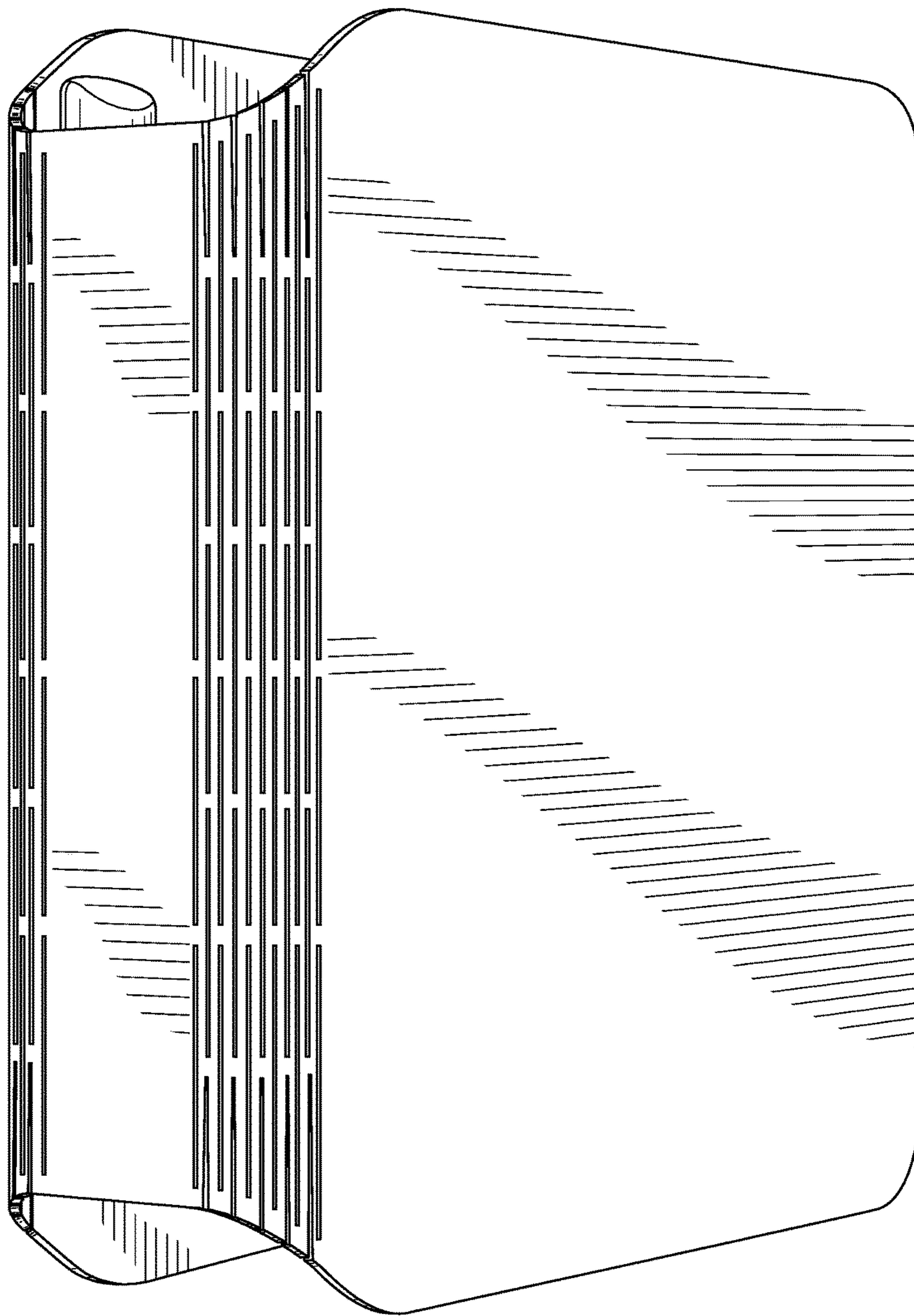


FIG. 1

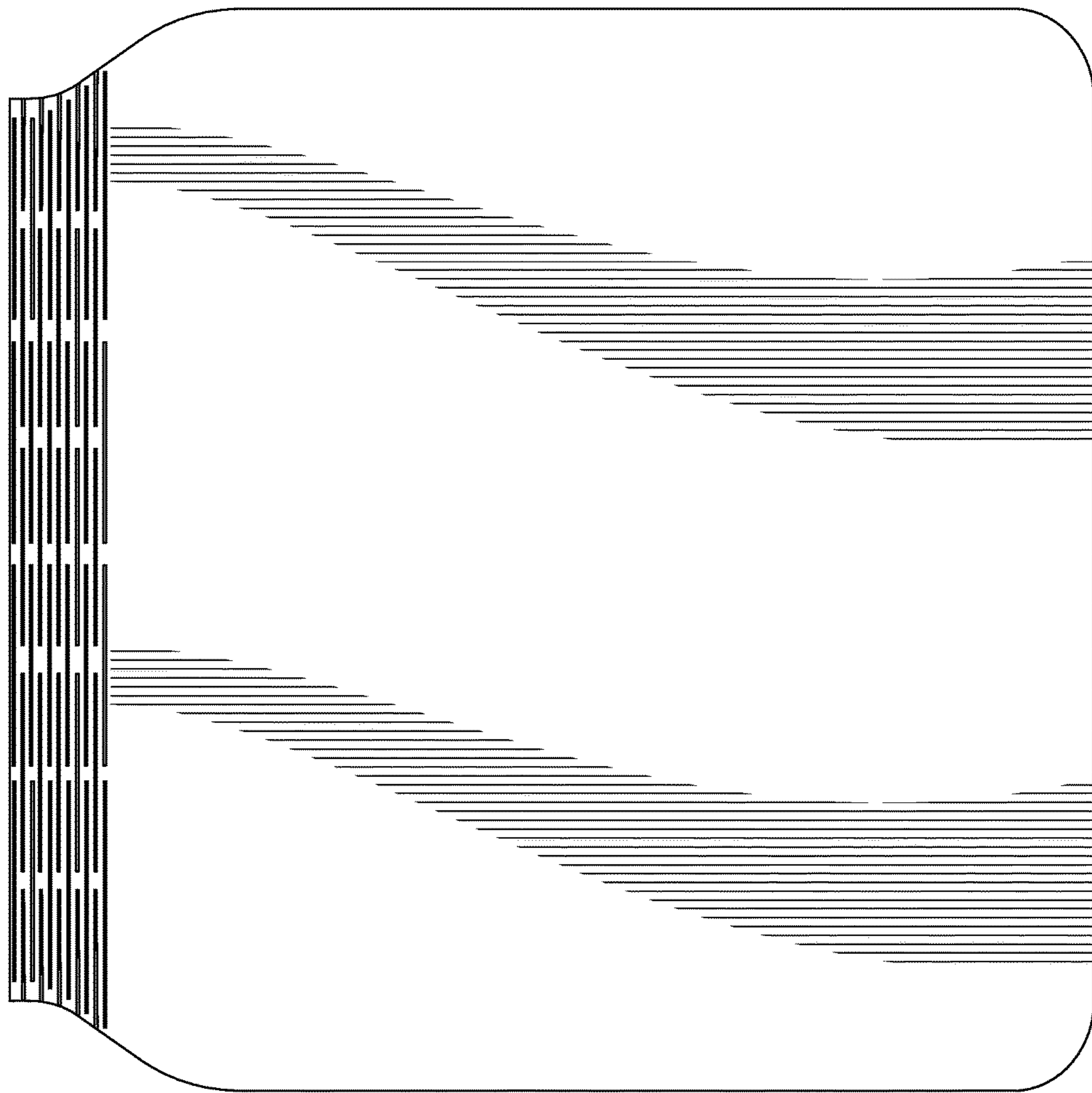


FIG. 2

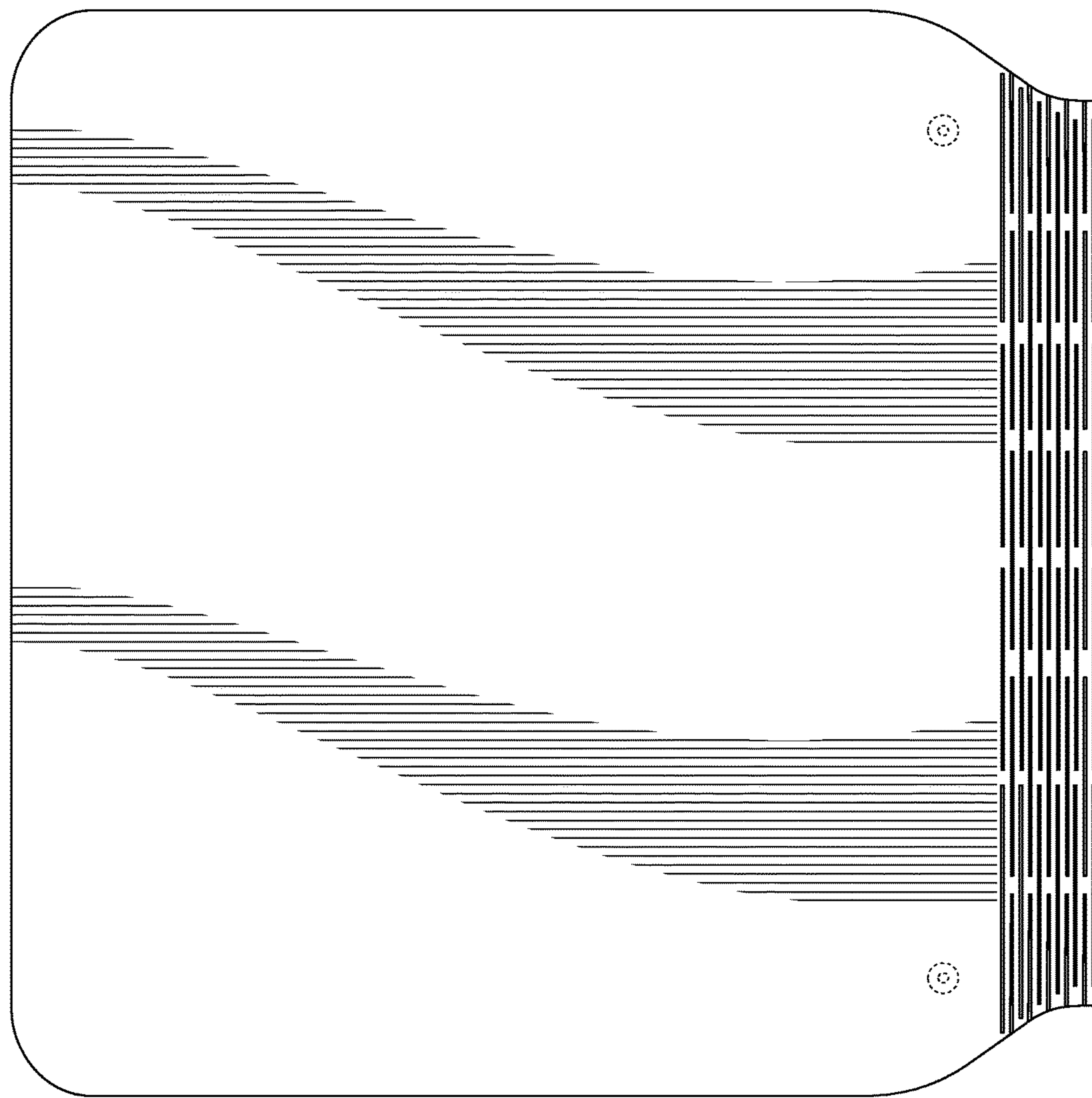


FIG. 3

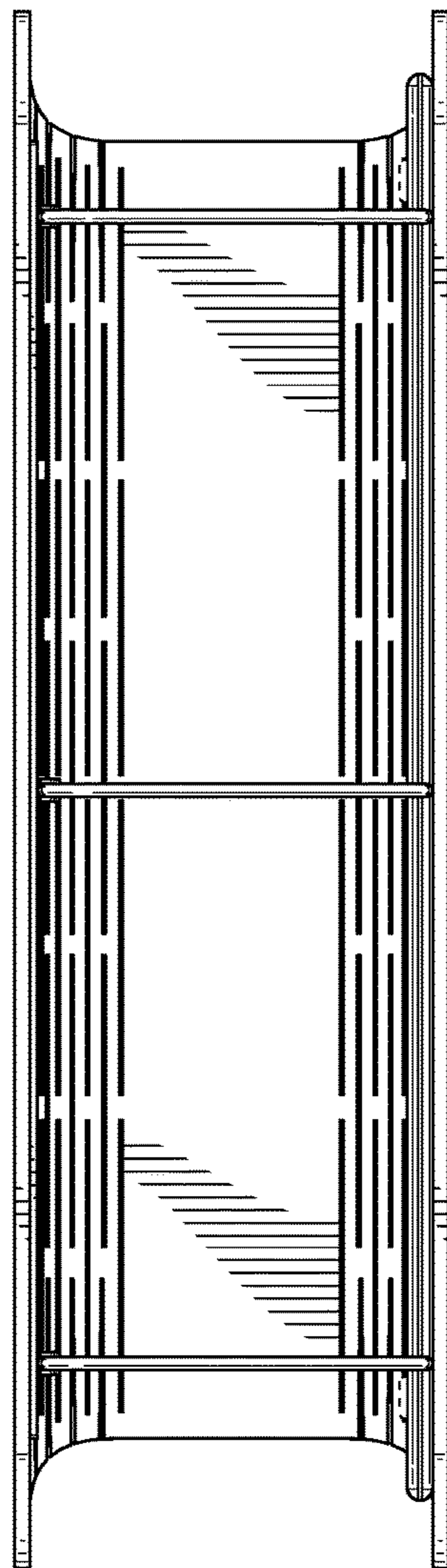


FIG. 4

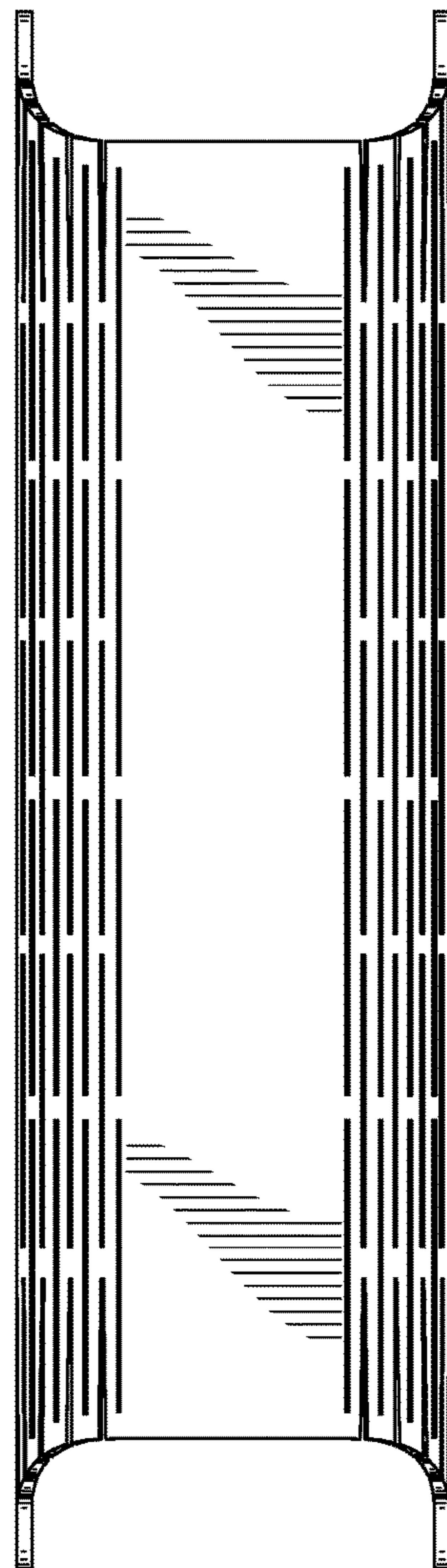


FIG. 5

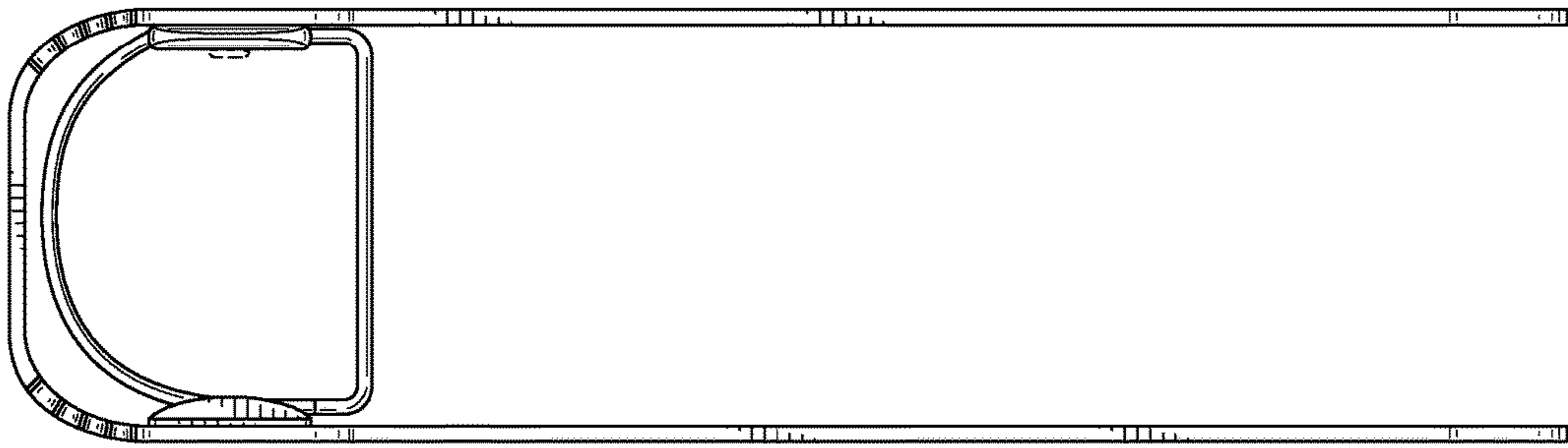


FIG. 6

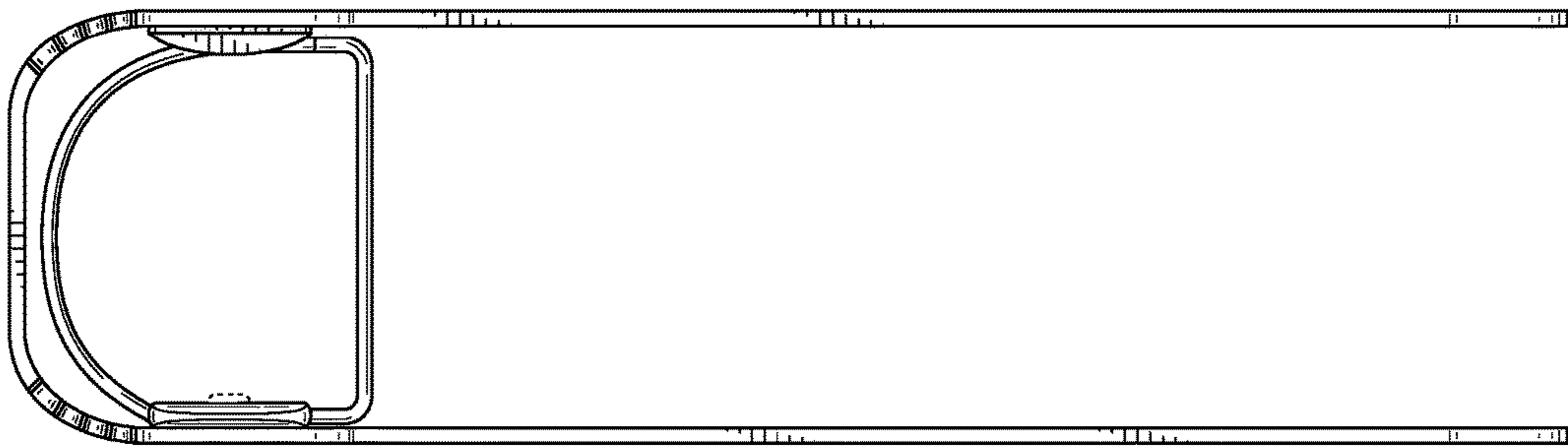


FIG. 7

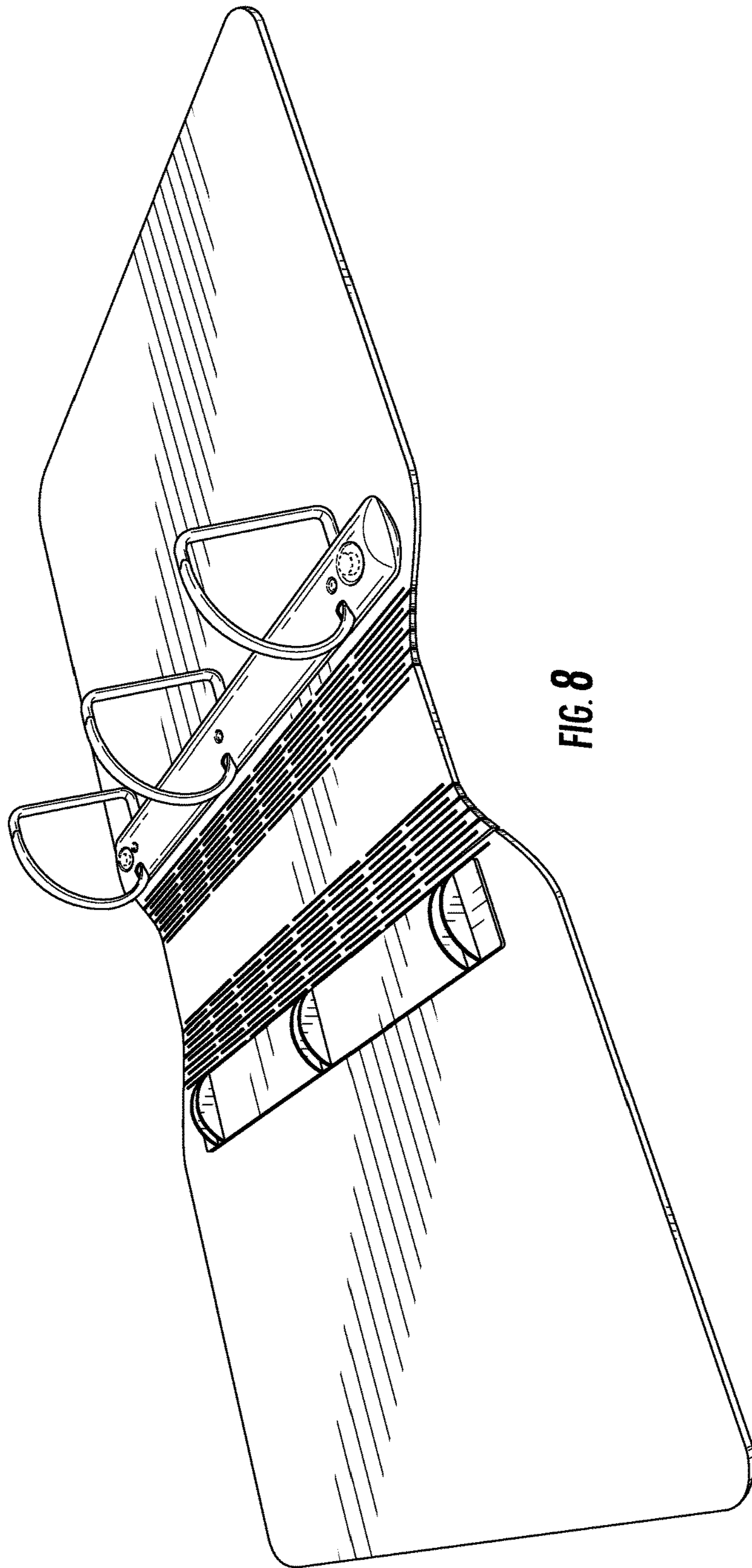


FIG. 8

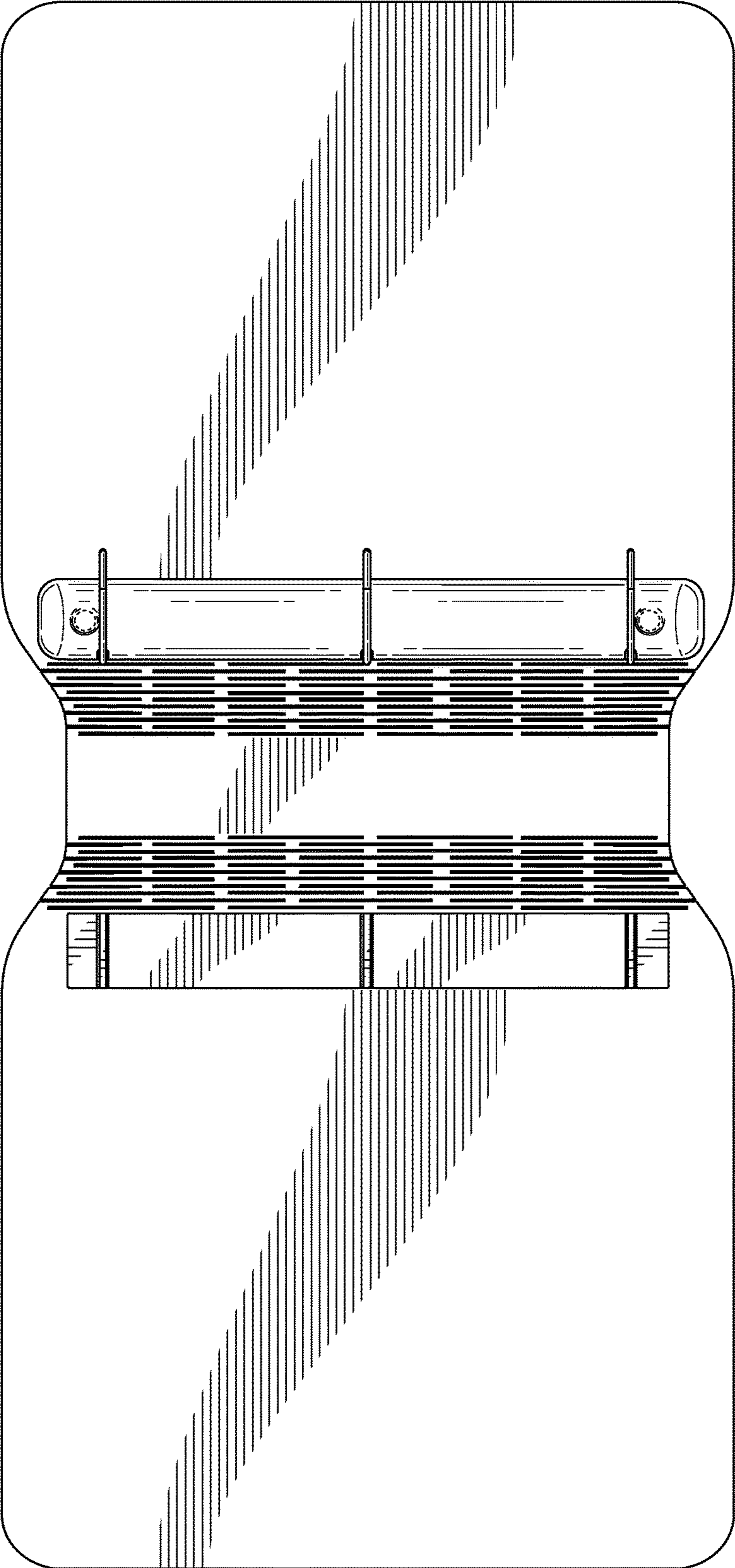


FIG. 9

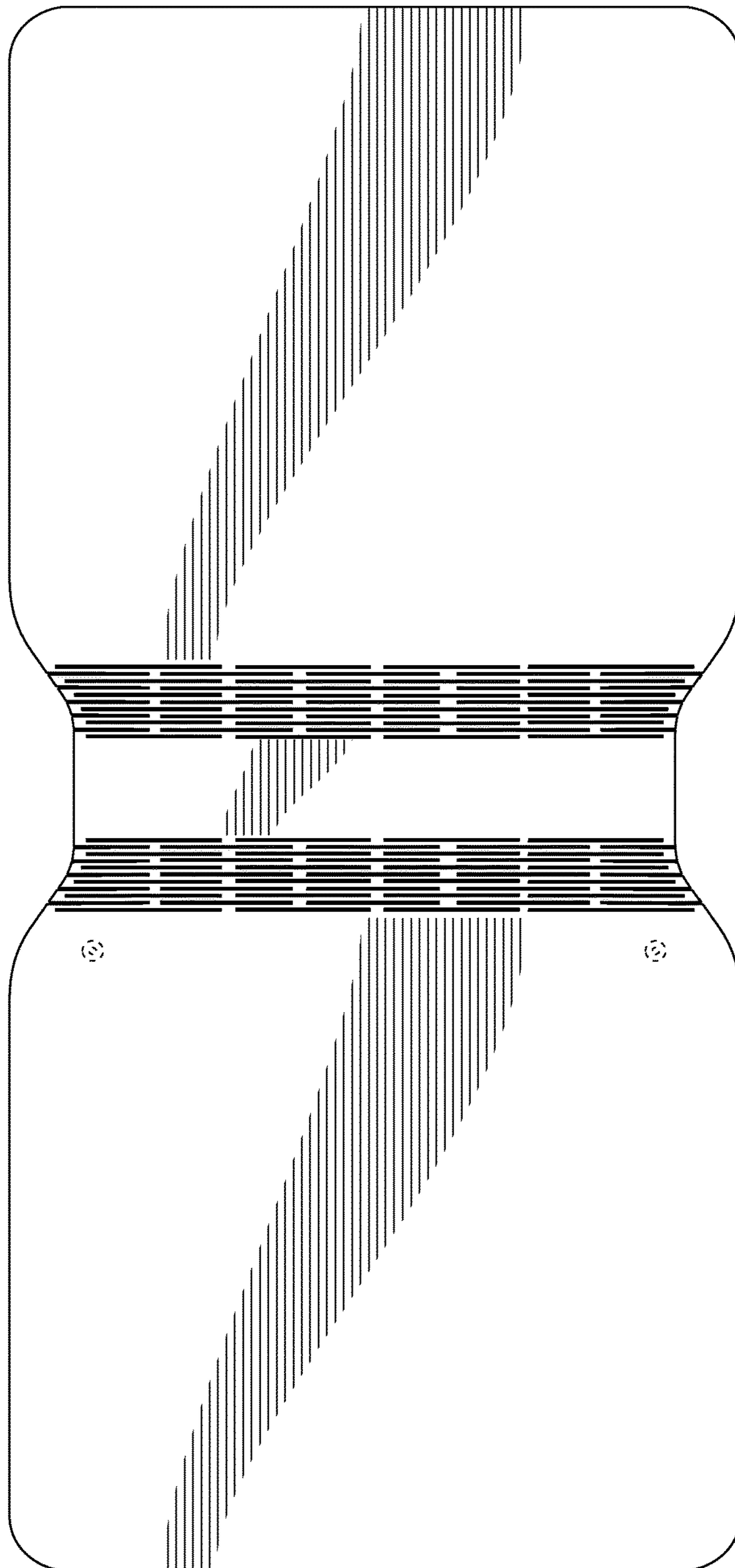


FIG. 10

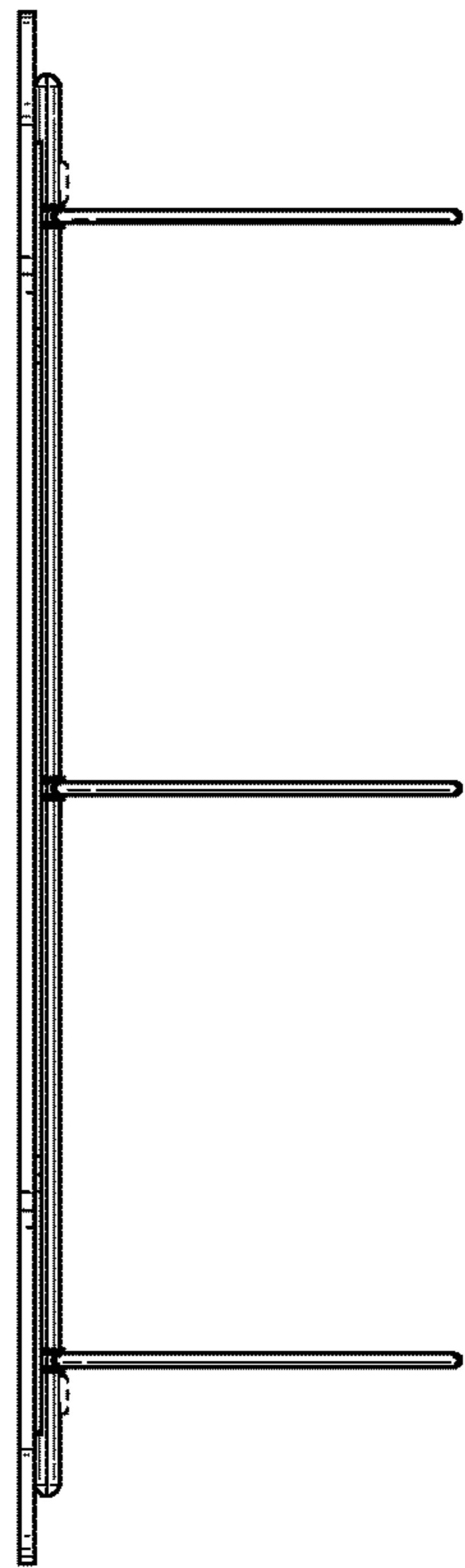


FIG. 11

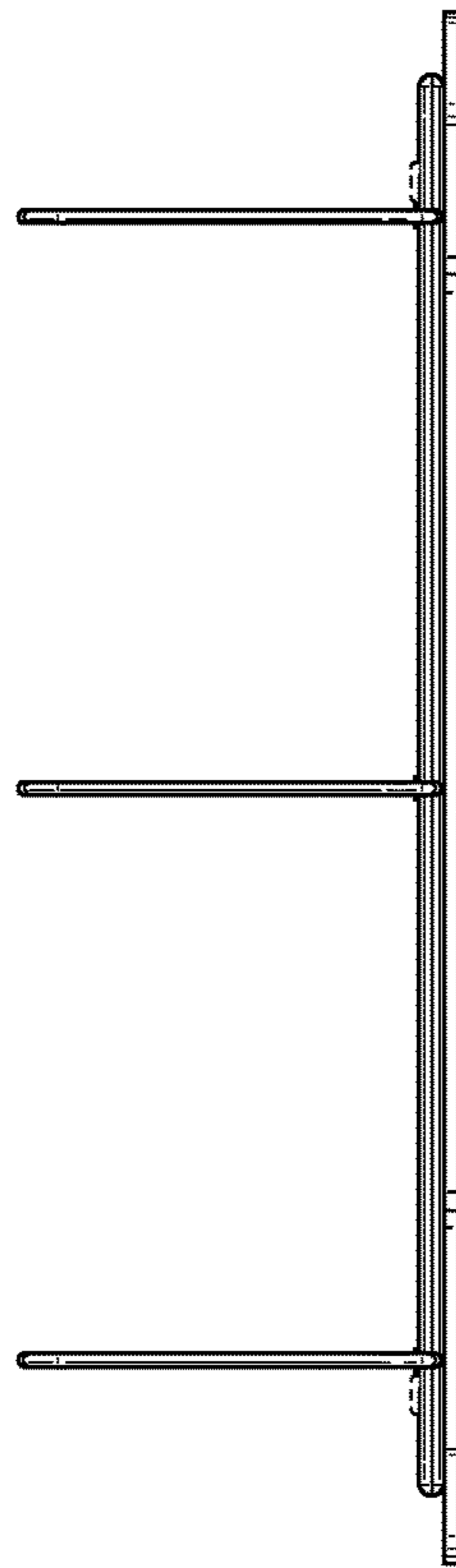


FIG. 12

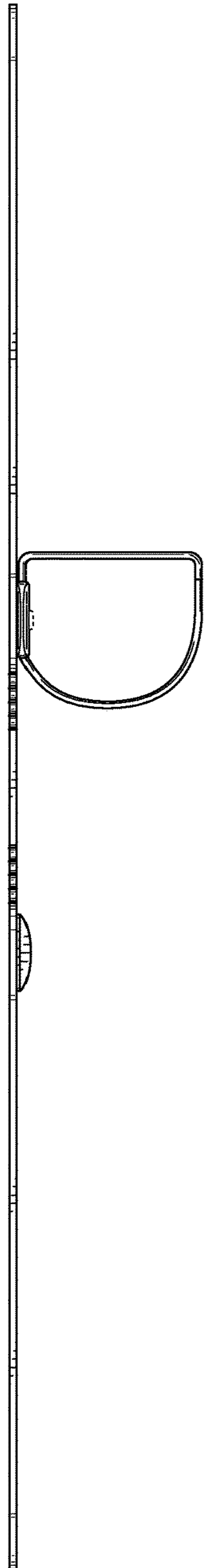


FIG. 13

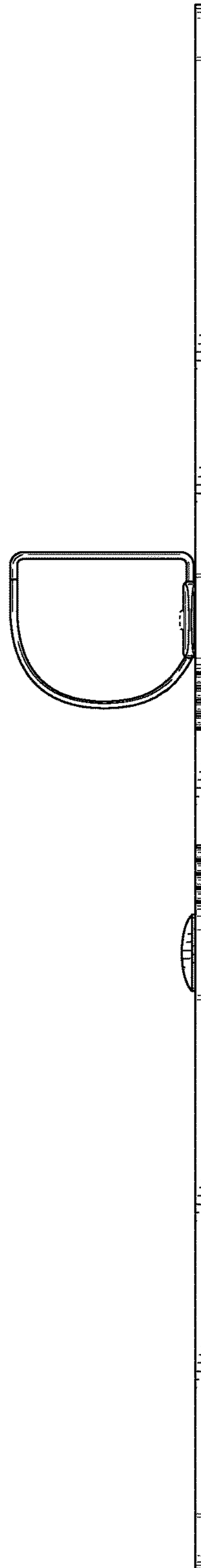


FIG. 14