



US00D842360S

(12) **United States Design Patent** (10) **Patent No.:** **US D842,360 S**
Achenbach (45) **Date of Patent:** **** Mar. 5, 2019**

(54) **DEBRIS AND IMPACT GUARD FOR CAMERA MOUNT**

(71) Applicant: **Kenneth John Achenbach**, Whistler (CA)

(72) Inventor: **Kenneth John Achenbach**, Whistler (CA)

(**) Term: **15 Years**

(21) Appl. No.: **29/602,447**

(22) Filed: **May 1, 2017**

(51) **LOC (11) Cl.** **16-05**

(52) **U.S. Cl.**
USPC **D16/242**

(58) **Field of Classification Search**
USPC D16/208, 213–219, 235–250; D14/217, D14/229, 250–253; D8/363, 373, 394
CPC G03B 17/02–17/04; G03B 17/14; G03B 17/56; G03B 17/561–17/568; G03B 21/20; G02B 7/00–7/002; F16M 11/02; F16M 11/04; F16M 11/20; F16M 11/40
See application file for complete search history.

(56) **References Cited**

U.S. PATENT DOCUMENTS

| | | | |
|----------------|---------|-----------|-------------|
| D395,996 S * | 7/1998 | Fischer | D8/349 |
| D768,756 S * | 10/2016 | Miyashita | D16/242 |
| D773,551 S * | 12/2016 | Clearman | D16/242 |
| D776,745 S * | 1/2017 | Bennett | D16/242 |
| D776,746 S * | 1/2017 | Bennett | D16/242 |
| 9,588,407 B1 * | 3/2017 | Harrison | G03B 17/561 |
| D795,326 S * | 8/2017 | Martin | D16/242 |
| D800,204 S * | 10/2017 | Harrison | D16/242 |
| D800,205 S * | 10/2017 | Harrison | D16/242 |
| D800,822 S * | 10/2017 | Costa | D16/242 |

| | | | |
|-------------------|---------|-----------|------------------------|
| 9,778,548 B2 * | 10/2017 | Achenbach | G03B 17/561 |
| 2015/0076184 A1 * | 3/2015 | Achenbach | G03B 17/561 224/181 |
| 2015/0316205 A1 * | 11/2015 | Bennett | F16M 13/00 224/181 |

OTHER PUBLICATIONS

Kiteboard Mount. Online, published date unknown. Retrieved on Apr. 3, 2018 from URL: <https://flymount.com/product/kite-wakeboard-mount/>.*

* cited by examiner

Primary Examiner — Karen S Acker

Assistant Examiner — Omeed Agilee

(74) *Attorney, Agent, or Firm* — PatentFile, LLC; Bradley C. Fach

(57) **CLAIM**

The ornamental design for a debris and impact guard for camera mount, as shown and described.

DESCRIPTION

FIG. 1 is a perspective view showing the new, original, and ornamental design of a debris and impact guard for camera mount;

FIG. 2 is a bottom plan view thereof;

FIG. 3 is a top plan view thereof;

FIG. 4 is a rear elevation view thereof;

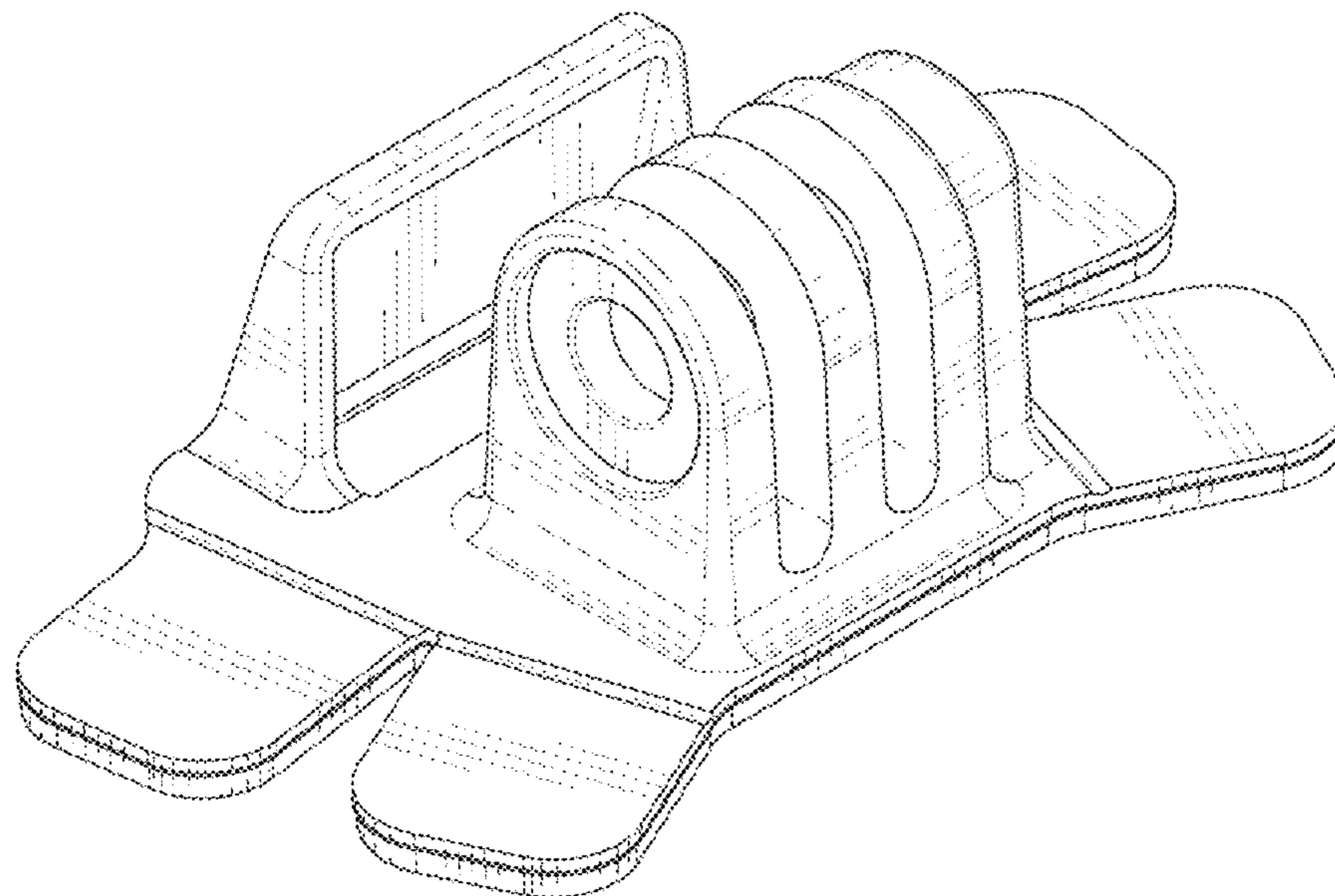
FIG. 5 is a front elevation view thereof;

FIG. 6 is a left side elevation view thereof; and,

FIG. 7 is a right side elevation view thereof.

The broken lines in FIG. 5, FIG. 6, and FIG. 7 represent environmental subject matter and form no part of the claimed design.

1 Claim, 4 Drawing Sheets



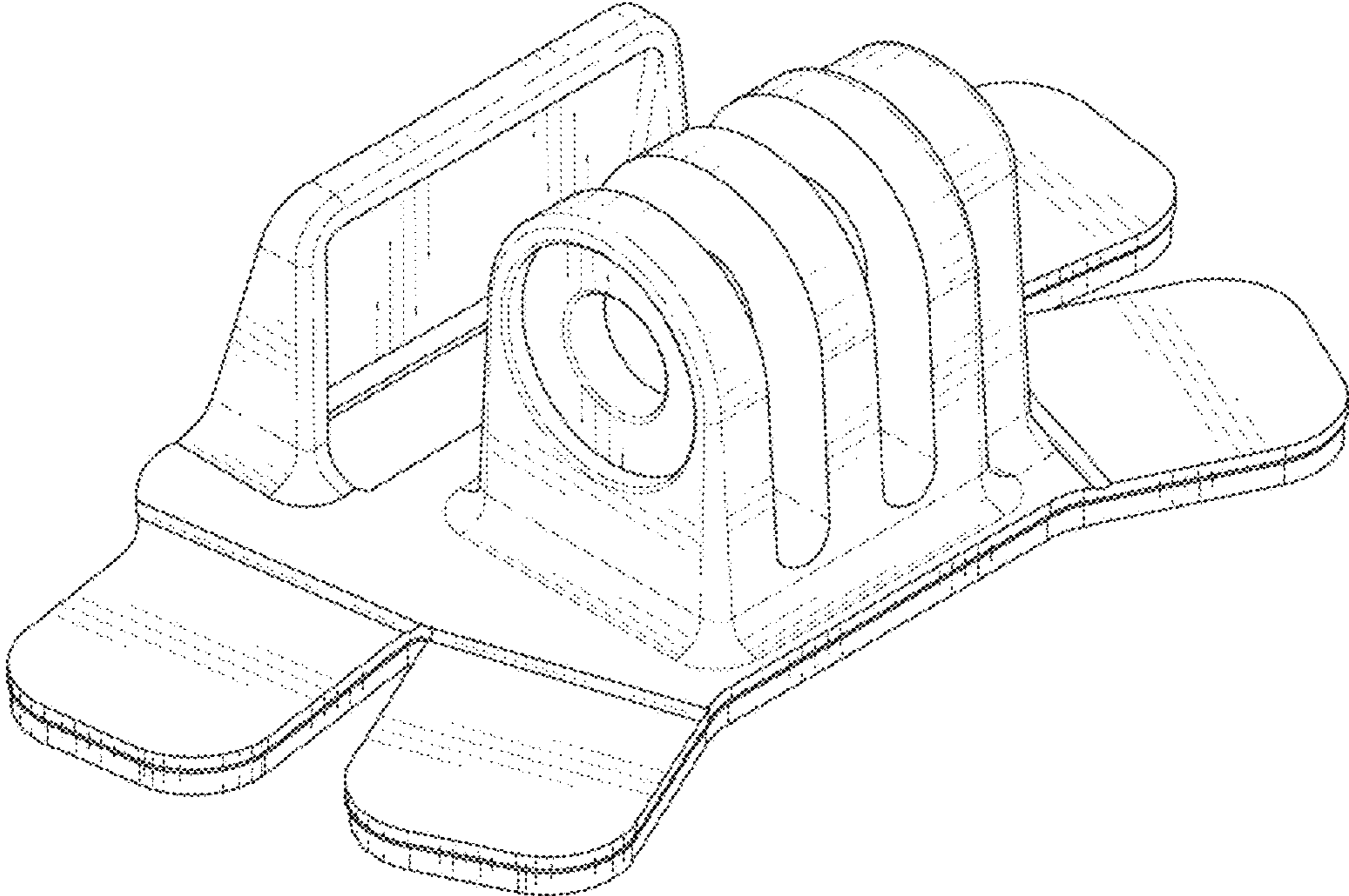


FIG. 1

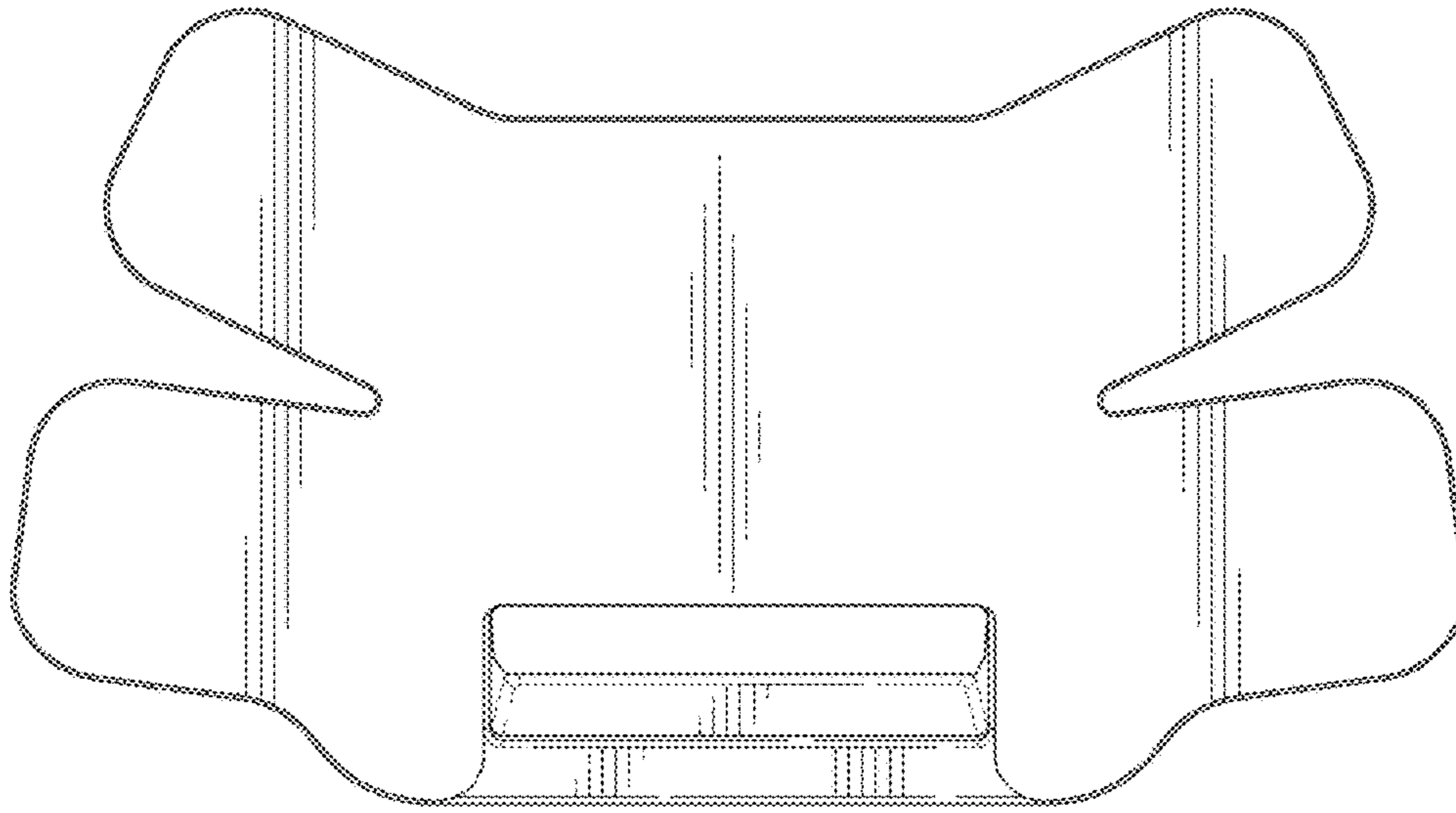


FIG. 2

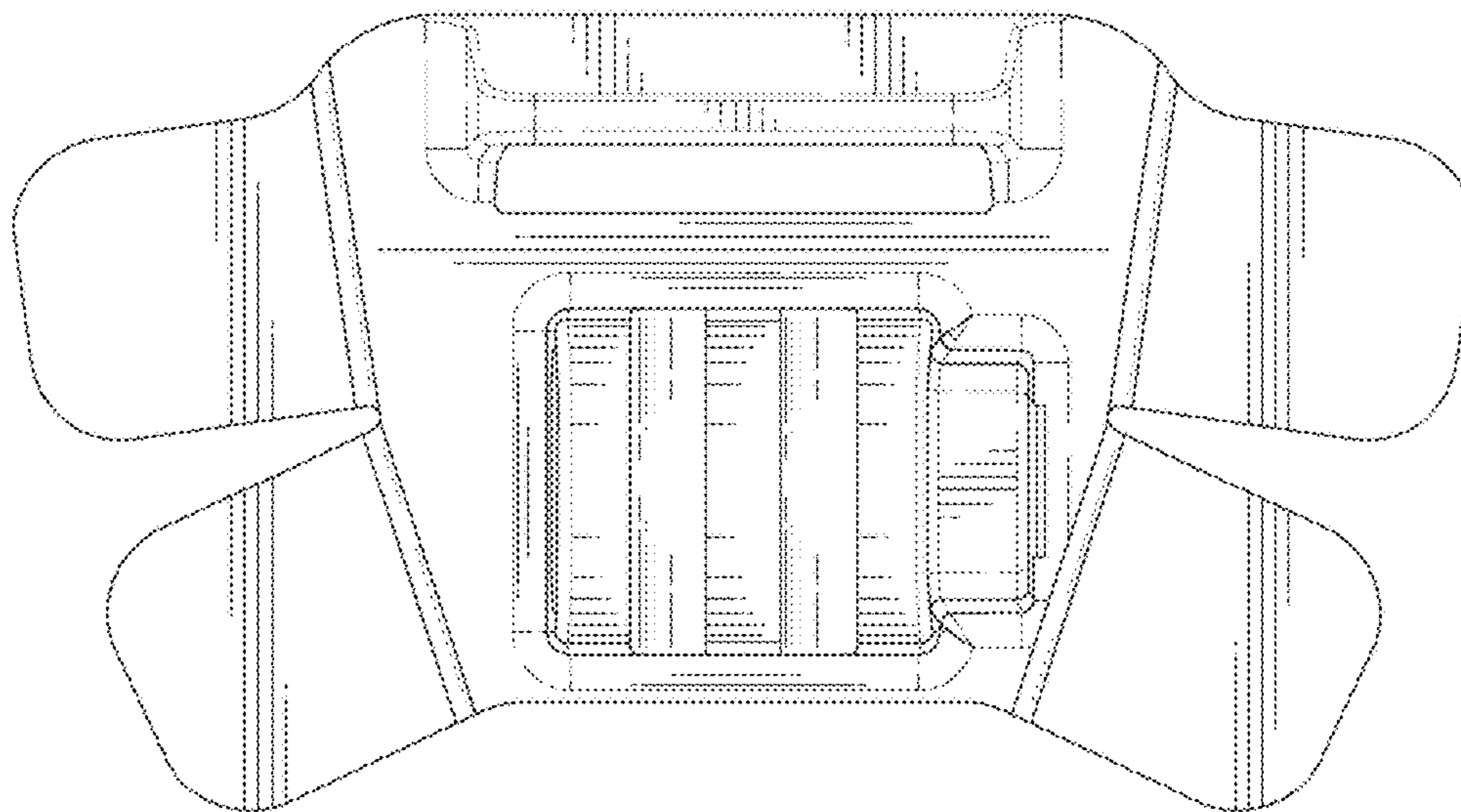


FIG. 3

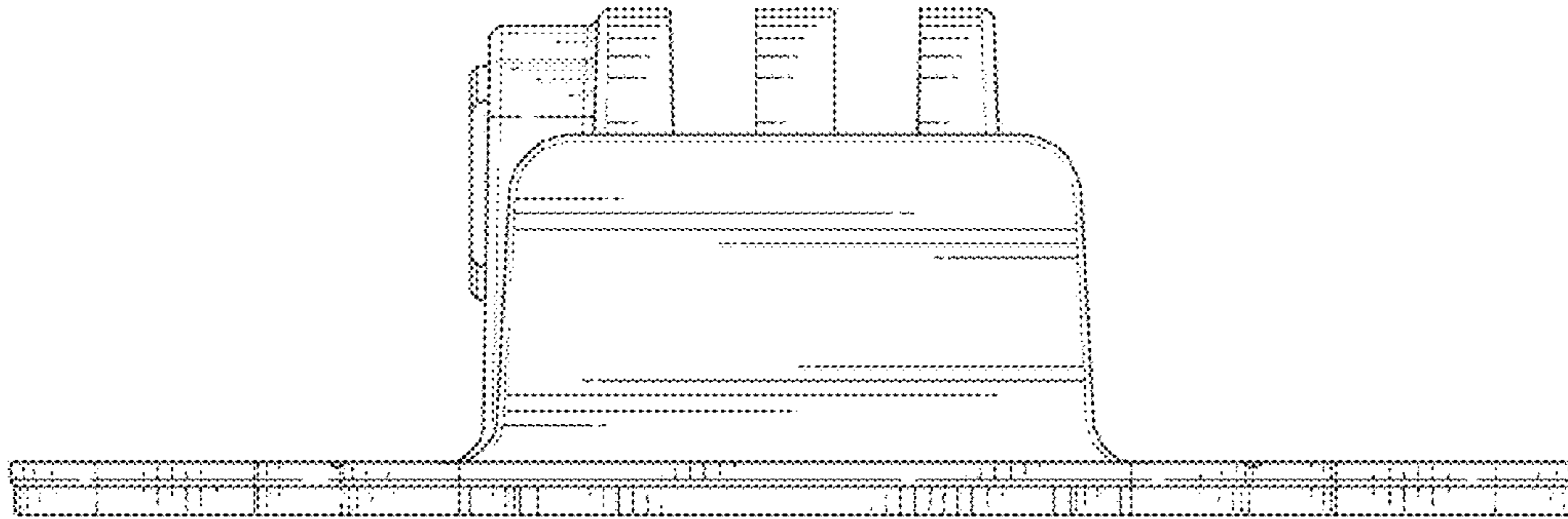


FIG. 4

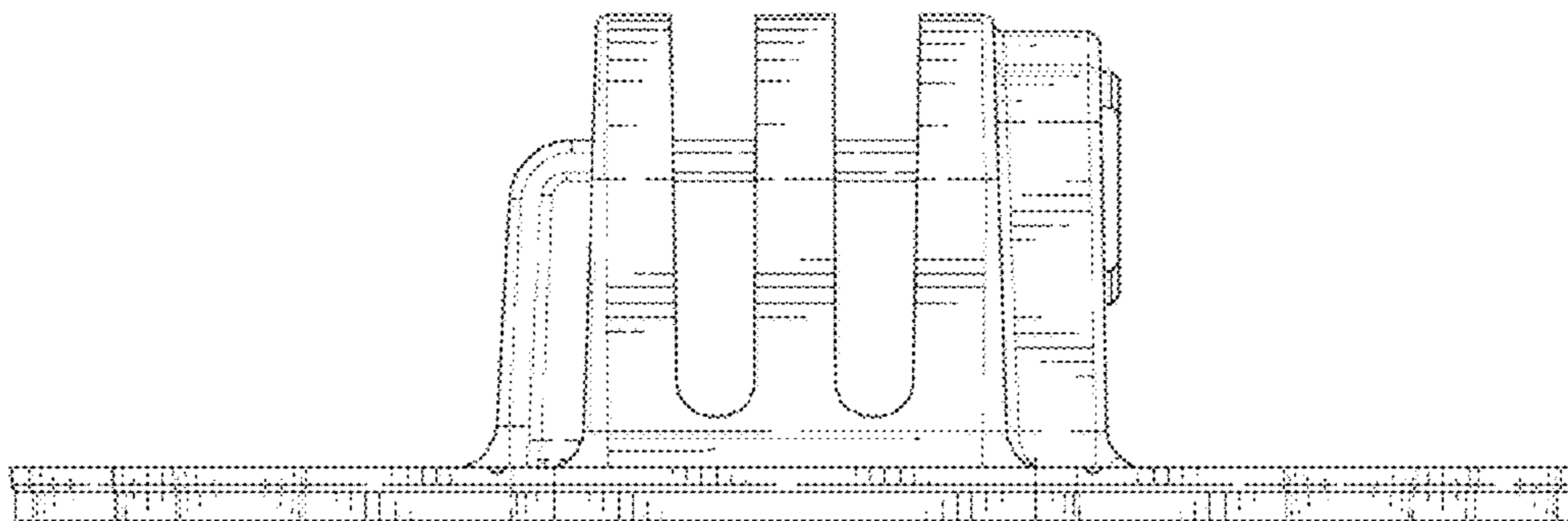


FIG. 5

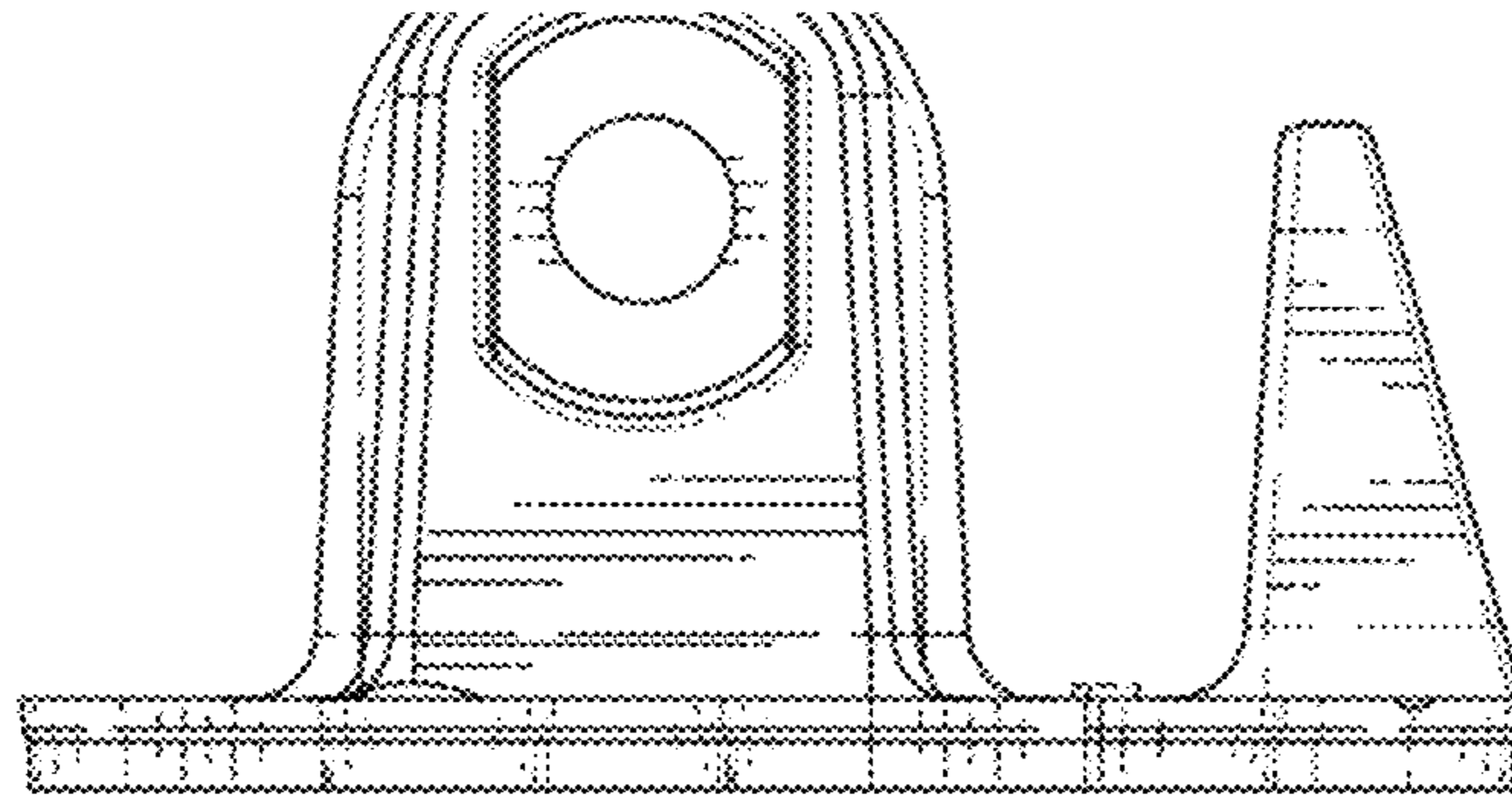


FIG. 6

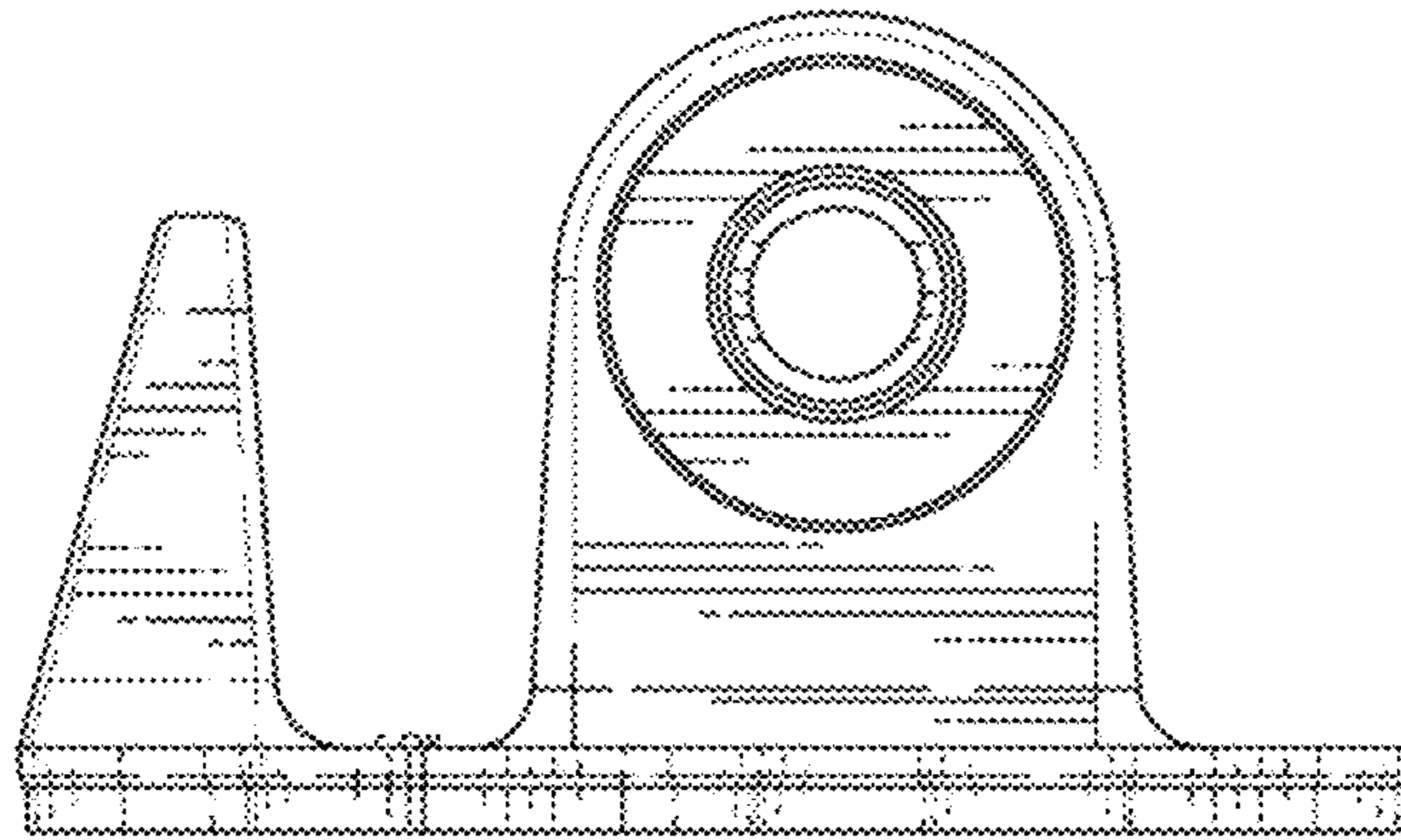


FIG. 7