



US00D842358S

(12) **United States Design Patent** (10) **Patent No.:** **US D842,358 S**  
**Puric et al.** (45) **Date of Patent:** **\*\* Mar. 5, 2019**

(54) **CAMERA AND AUDIO INPUT/OUTPUT DEVICE**

(71) Applicant: **Honeywell International Inc.**,  
Morristown, NJ (US)  
(72) Inventors: **Robert Jacob Puric**, Rocky Point, NY  
(US); **Rajat Shail**, Chicago, IL (US);  
**Brian Fei Moy**, Arden Hills, MN (US);  
**Douglas Barrett Beaudet**, Orono, MN  
(US); **Ann Yan Fong**, Kalamazoo, MI  
(US)

(73) Assignee: **ADEMCO INC.**, Golden Valley, MN  
(US)

(\*\*) Term: **15 Years**

(21) Appl. No.: **29/618,974**

(22) Filed: **Sep. 26, 2017**

(51) **LOC (11) Cl.** ..... **16-01**

(52) **U.S. Cl.**  
USPC ..... **D16/203**

(58) **Field of Classification Search**  
USPC ..... D16/200, 202–205, 208, 214, 218, 219,  
D16/242; 348/14.01–14.06, 143, 148,  
348/151, 373–376; 396/419, 427, 535,  
396/539–541  
CPC ..... G03B 17/02; G03B 19/04; G03B 17/56;  
G03B 17/04; G03B 15/03; H04N 5/2251;  
H04N 5/2252; H04N 5/2253; H04N  
5/2254; H04N 2007/145; H04N 7/141;  
H04N 7/142; H04N 7/147; H04N 7/148;  
H04N 7/15; H04N 7/152

See application file for complete search history.

(56) **References Cited**

**U.S. PATENT DOCUMENTS**

D418,152 S \* 12/1999 McBride ..... D16/204  
D518,080 S \* 3/2006 Uehara ..... D16/202

D696,329 S \* 12/2013 Horiki ..... D16/203  
D709,118 S \* 7/2014 Yu ..... D16/203  
D725,077 S \* 3/2015 Wong ..... D14/216  
D727,388 S \* 4/2015 Huang ..... D16/214  
D728,655 S \* 5/2015 Daniel ..... D16/203  
D747,383 S \* 1/2016 Li ..... D16/203  
D760,829 S \* 7/2016 Pacurariu ..... D16/202  
D776,740 S \* 1/2017 Okawa ..... D16/203  
D798,935 S \* 10/2017 Dimitriadis ..... D16/203  
D813,923 S \* 3/2018 Wieser ..... D16/203  
2009/0201413 A1 \* 8/2009 Fishman ..... H04N 5/2252  
348/373

\* cited by examiner

*Primary Examiner* — Philip S Hyder

*Assistant Examiner* — Ramzi S Almatrahi

(74) *Attorney, Agent, or Firm* — Husch Blackwell LLP

(57) **CLAIM**

The ornamental design for a camera and audio input/output device, as shown and described.

**DESCRIPTION**

FIG. 1 is a perspective view of a camera and audio input/output device.

FIG. 2 is a front elevation view thereof.

FIG. 3 is a rear elevation view thereof.

FIG. 4 is a right side elevation view thereof, the left side elevation view being a mirror-image of the right side elevation.

FIG. 5 is a top plan view thereof; and,

FIG. 6 is a bottom plan view thereof.

The broken lines depict portions of the camera and audio input/output device in which the design is embodied that forms no part of the claimed design.

**1 Claim, 6 Drawing Sheets**

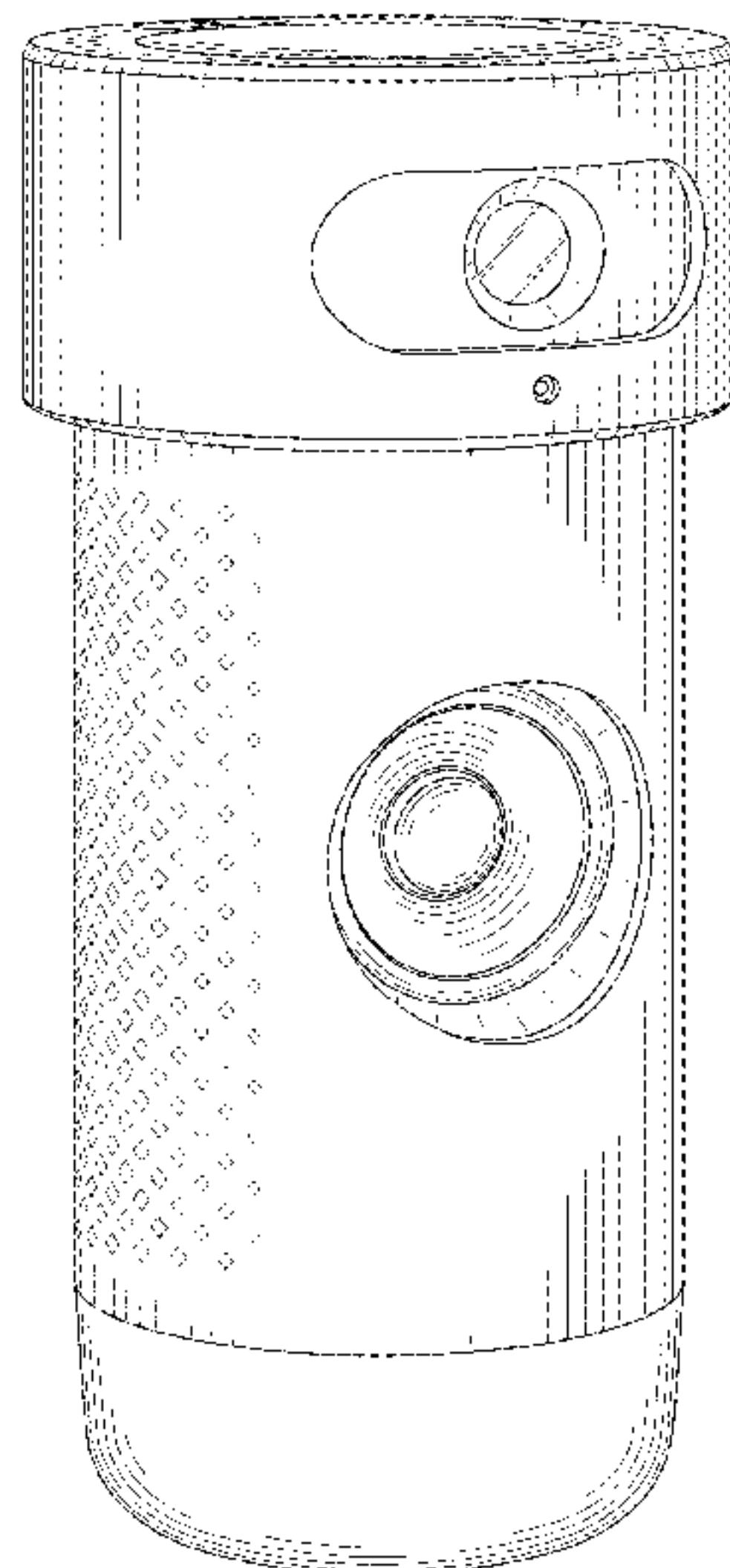


FIG. 1

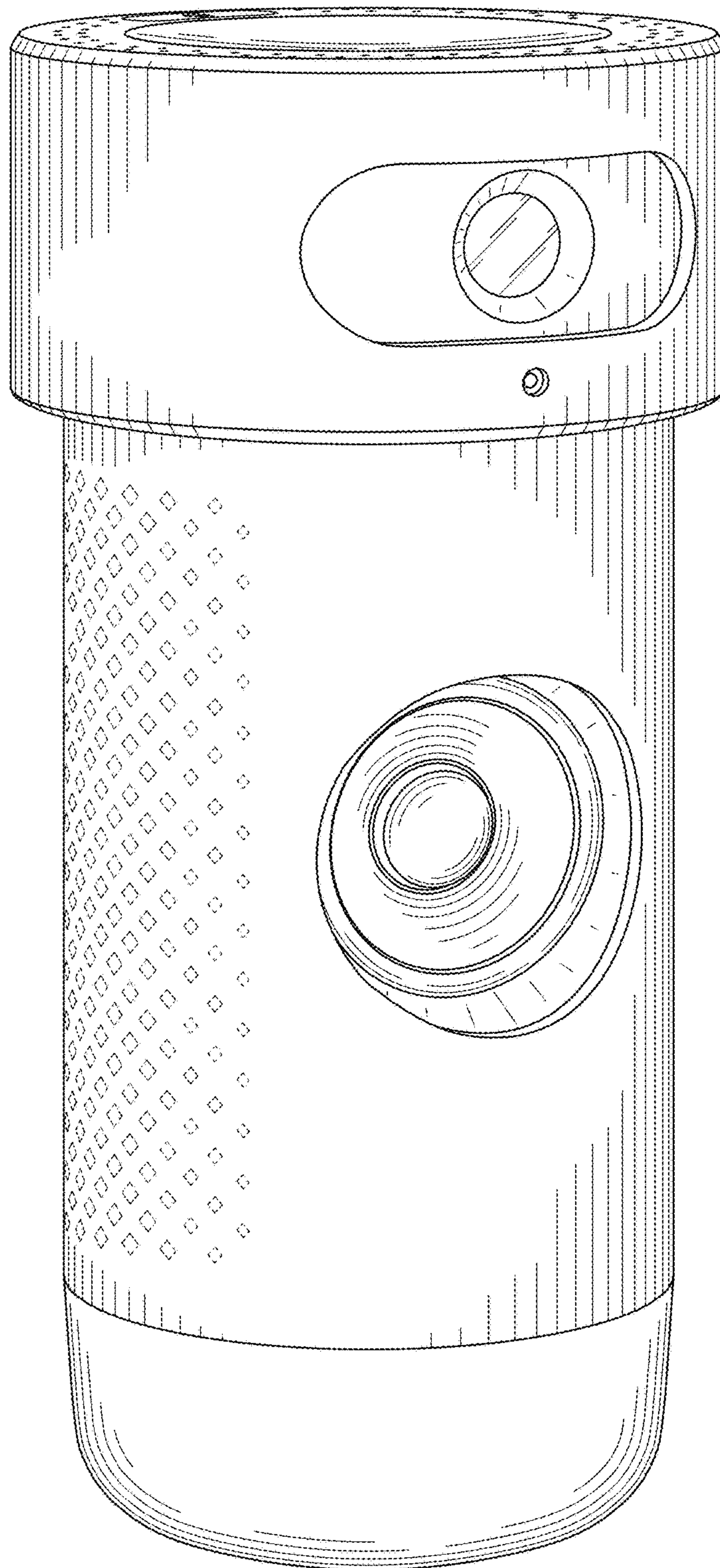




FIG. 2

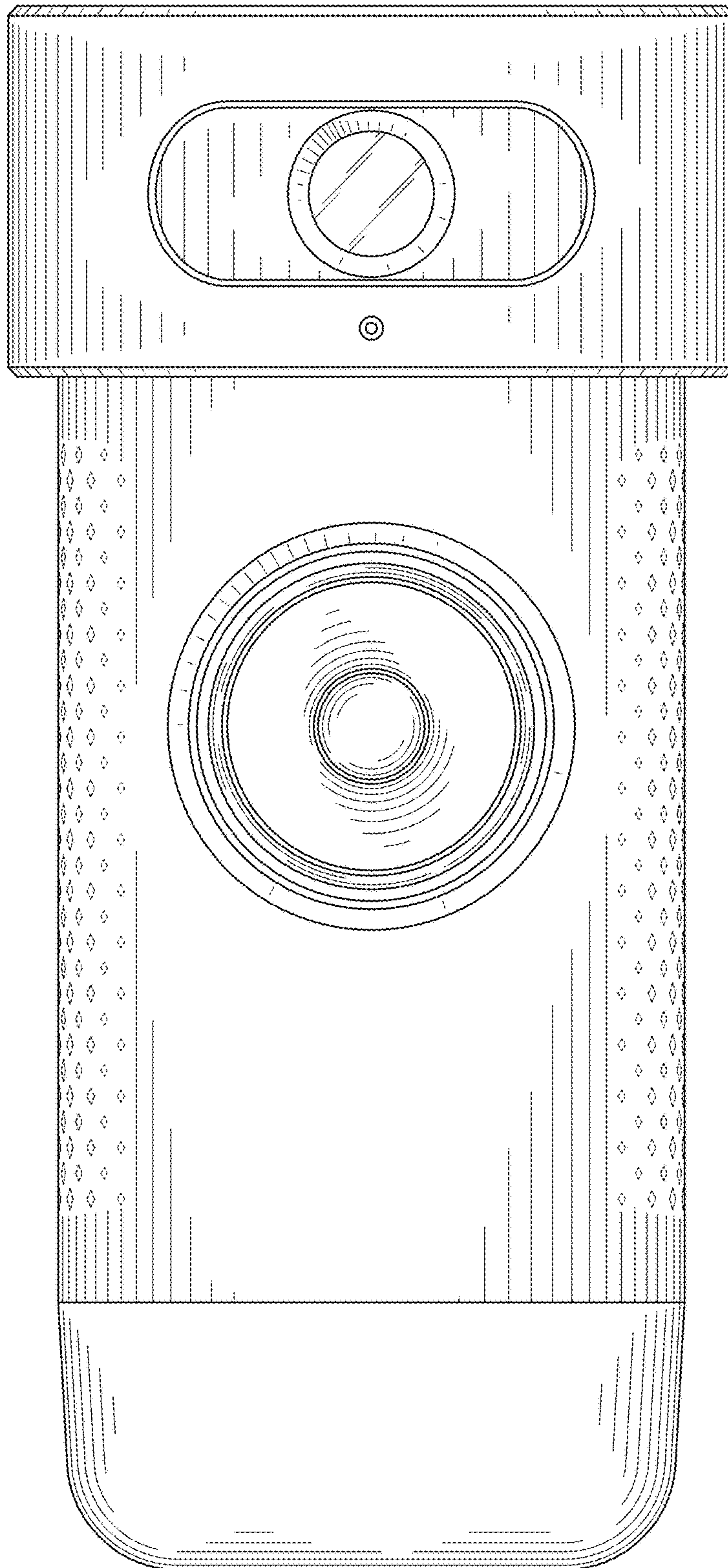


FIG. 3

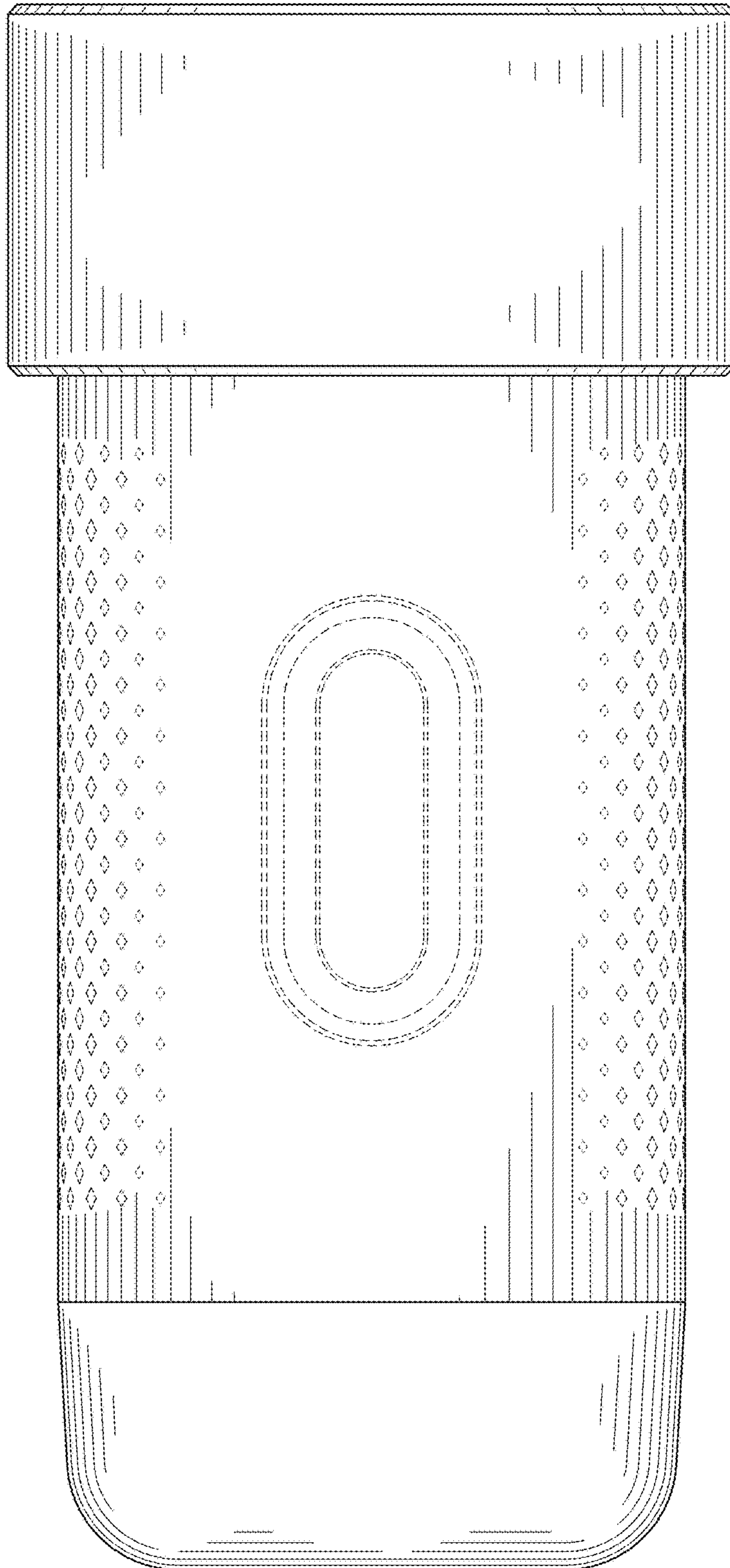


FIG. 4

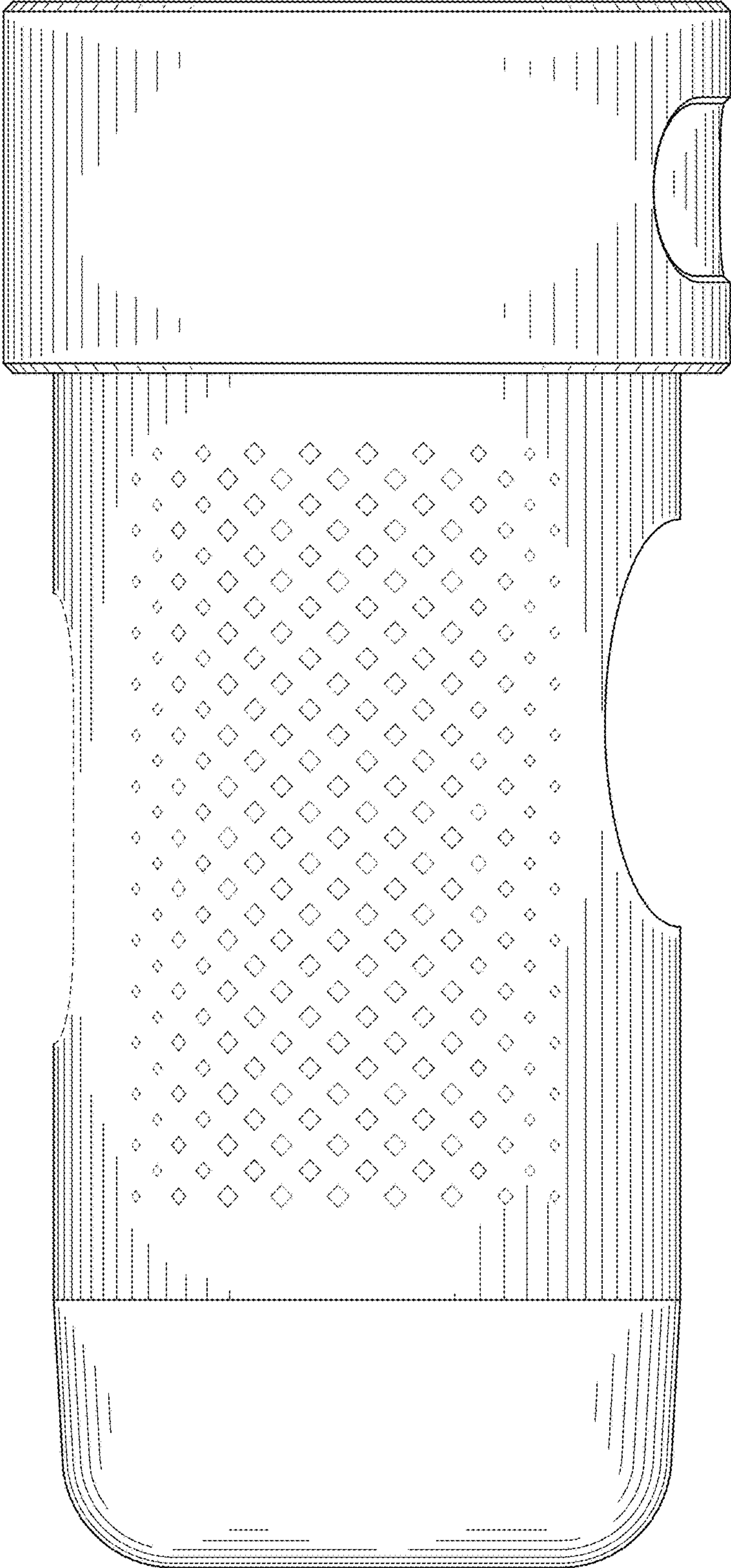


FIG. 5

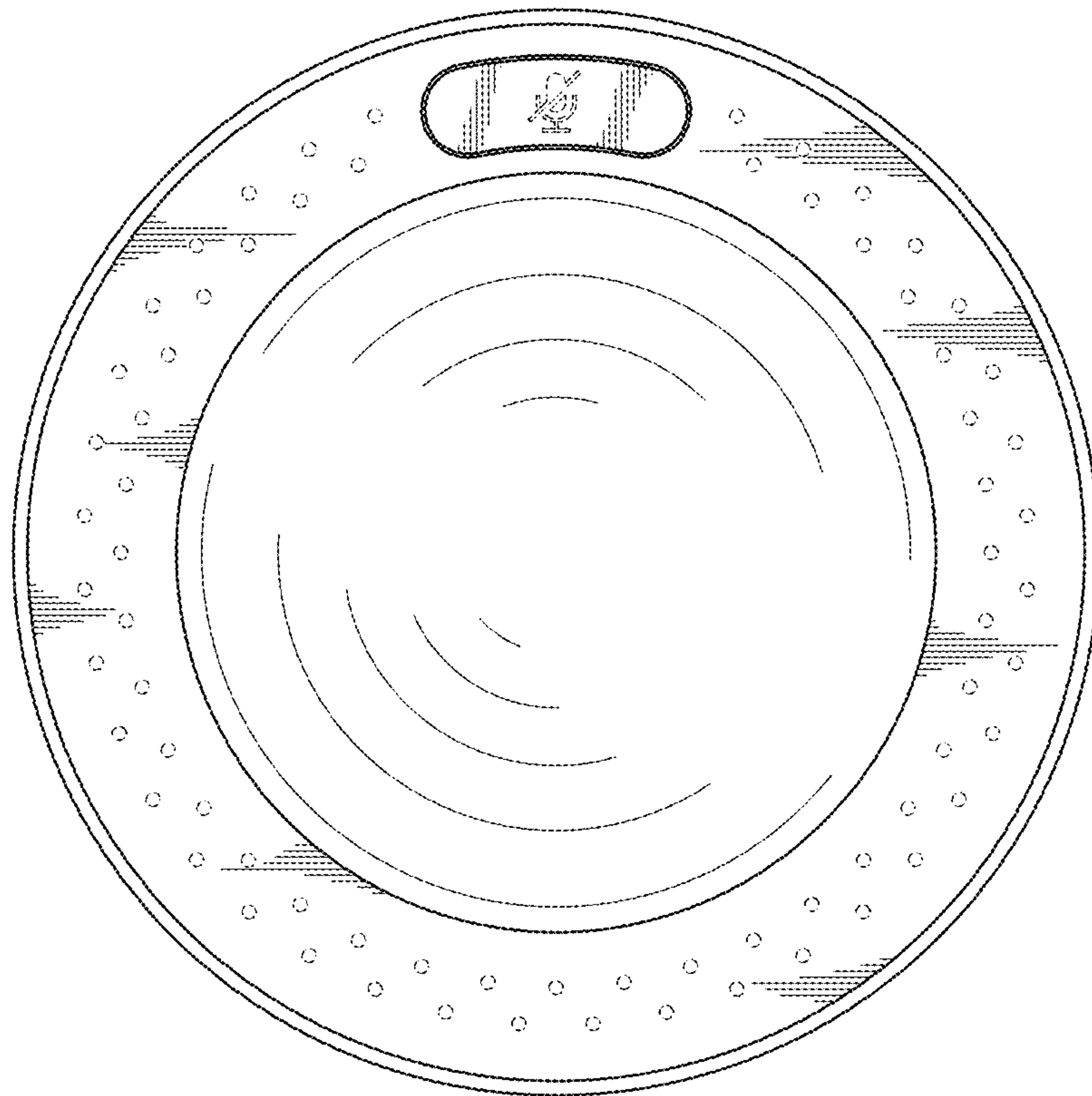




FIG. 6

