



US00D842356S

(12) **United States Design Patent**  
**Matuschek et al.**

(10) **Patent No.:** **US D842,356 S**  
(45) **Date of Patent:** **\*\* Mar. 5, 2019**

(54) **MOUNT FOR A SURGICAL MICROSCOPE**

(71) Applicant: **Carl Zeiss Meditec AG**, Jena (DE)

(72) Inventors: **Walter Matuschek**, Aalen (DE);  
**Zhenhua Chu**, Suzhou (CN);  
**Shuanghu Zhang**, Suzhou (CN)

(73) Assignee: **Carl Zeiss Meditec AG**, Jena (DE)

(\*\*) Term: **15 Years**

(21) Appl. No.: **29/617,191**

(22) Filed: **Sep. 12, 2017**

**Related U.S. Application Data**

(62) Division of application No. 29/527,335, filed on May 18, 2015, now Pat. No. Des. 800,814.

(30) **Foreign Application Priority Data**

Nov. 19, 2014 (CN) ..... 2014 3 0456635

(51) **LOC (11) Cl.** ..... **16-06**

(52) **U.S. Cl.**  
USPC ..... **D16/131**

(58) **Field of Classification Search**  
USPC ..... D16/130–136; D24/172  
CPC ..... G02B 21/00; G02B 21/02; G02B 21/06;  
G02B 21/24; G02B 21/36; G02B  
21/0012; G02B 21/0021; G02B 7/001;  
G02B 7/22; G02B 7/24; G02B 27/01  
See application file for complete search history.

(56) **References Cited**

**U.S. PATENT DOCUMENTS**

D295,287 S \* 4/1988 Krogsrud ..... D16/135  
D328,088 S 7/1992 Horino  
5,173,802 A 12/1992 Heller  
D342,272 S 12/1993 Saito et al.  
5,288,043 A 2/1994 Tigliev

5,332,181 A 7/1994 Schweizer et al.  
6,254,046 B1 7/2001 Biber  
6,592,086 B1\* 7/2003 Sander ..... G02B 7/001  
206/316.1  
D506,257 S 6/2005 Smith  
(Continued)

**OTHER PUBLICATIONS**

“OPMI Lumera 300” Found online May 10, 2018 at www.youtube.com. Page dated Aug. 2, 2017. Retrieved from https://www.youtube.com/watch?v=YHq\_TVpm68l.\*

(Continued)

*Primary Examiner* — Sandra S Snapp  
*Assistant Examiner* — Holly E Thurman  
(74) *Attorney, Agent, or Firm* — Walter Ottesen, P.A.

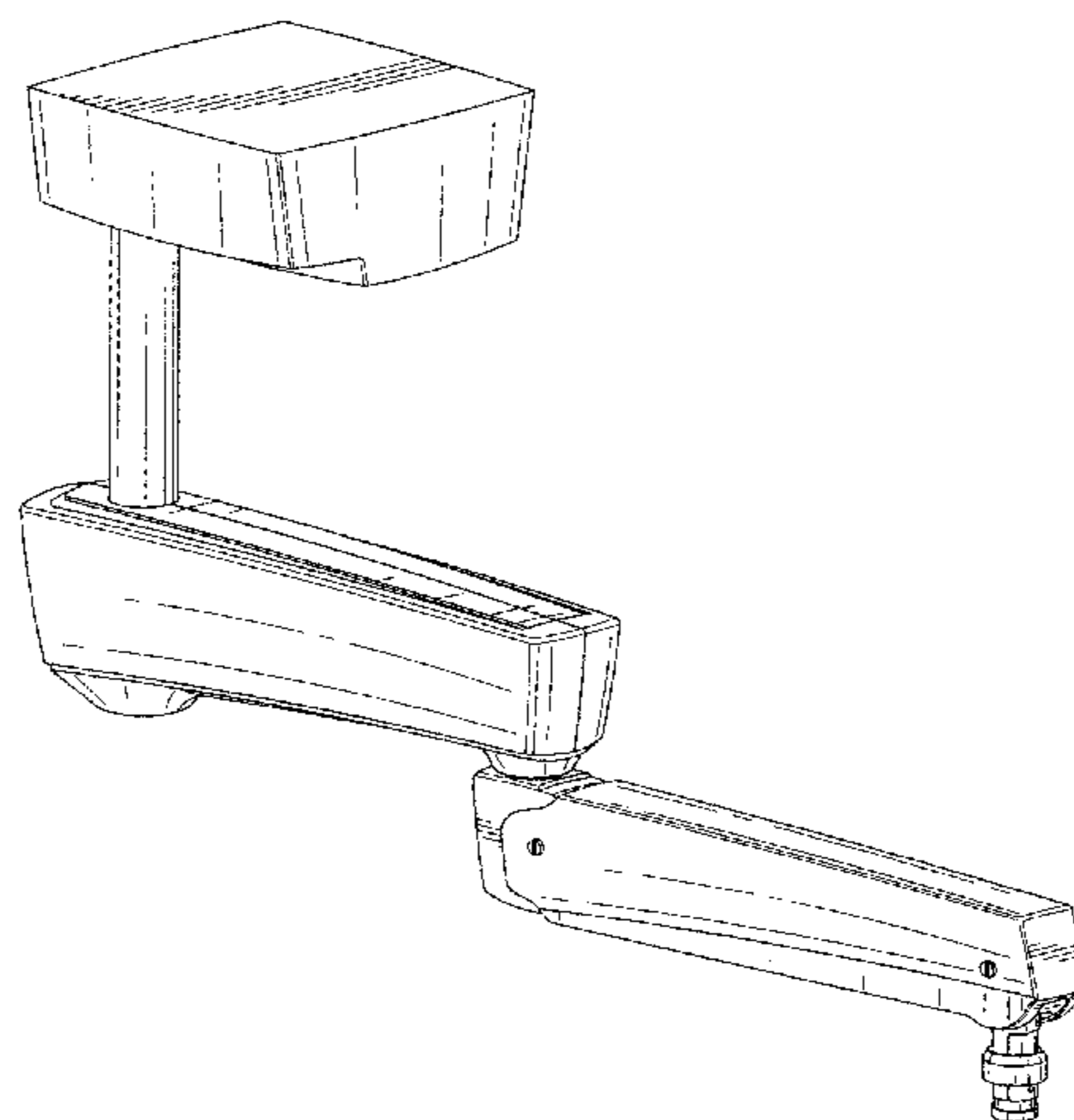
(57) **CLAIM**

The ornamental design for a mount for a surgical microscope, as shown and described.

**DESCRIPTION**

FIG. 1 is a right side elevation view of a mount for a surgical microscope of our new design;  
FIG. 2 is a left side elevation view of the mount for the surgical microscope of FIG. 1;  
FIG. 3 is a top plan view of the mount for the surgical microscope of FIG. 1;  
FIG. 4 is a bottom plan view of the mount for the surgical microscope of FIG. 1;  
FIG. 5 is a rear elevation view of the mount for the surgical microscope of FIG. 1;  
FIG. 6 is a front elevation view of the mount for the surgical microscope of FIG. 1; and,  
FIG. 7 is a perspective view of the mount for the surgical microscope of FIG. 1.  
The broken lines in FIGS. 4 and 5 depict portions of the mount for a surgical microscope that form no part of the claimed design.

**1 Claim, 6 Drawing Sheets**



(56)

**References Cited**

U.S. PATENT DOCUMENTS

7,159,831	B2	1/2007	Gaertner et al.	
D649,992	S	12/2011	Nusser	
D650,405	S	12/2011	Nusser	
D666,653	S *	9/2012	Nusser .....	D16/131
D685,405	S *	7/2013	Butler .....	D16/131
D698,962	S *	2/2014	Waldmann .....	D16/135
8,830,572	B2	9/2014	Graber	
D746,893	S	1/2016	Dong	
9,392,931	B2	7/2016	Urban et al.	
D800,814	S *	10/2017	Matuschek .....	D16/131
2002/0106137	A1	8/2002	Chen et al.	
2004/0104328	A1 *	6/2004	Frick .....	F16M 11/2014
				248/415
2011/0216402	A1 *	9/2011	Graber .....	G02B 7/001
				359/384
2017/0097488	A1 *	4/2017	Schutz .....	G02B 7/001
2017/0351072	A1 *	12/2017	Ku .....	G02B 21/0012
2017/0351078	A1 *	12/2017	Ku .....	G02B 21/22
2018/0045936	A1 *	2/2018	Nakamura .....	A61B 90/25
2018/0106991	A1 *	4/2018	Higuchi .....	G02B 21/0012

OTHER PUBLICATIONS

“OPMI 1 FR pro” Found online May 10, 2018 at [www.youtube.com](http://www.youtube.com). Page dated Apr. 26, 2012. Retrieved from <https://www.youtube.com/watch?v=2CQw3yGD9Cs>.\*

\* cited by examiner

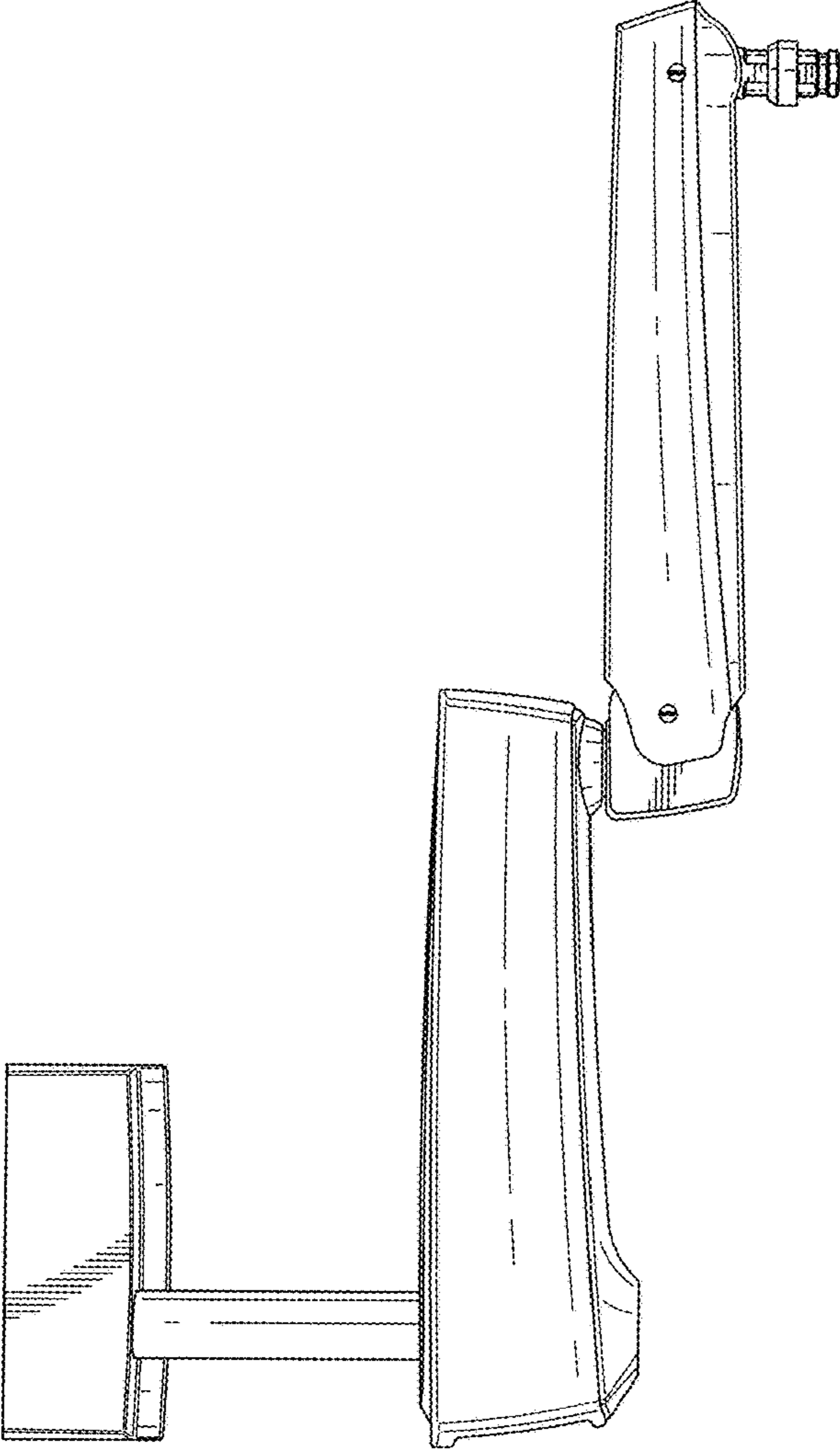


FIG. 1

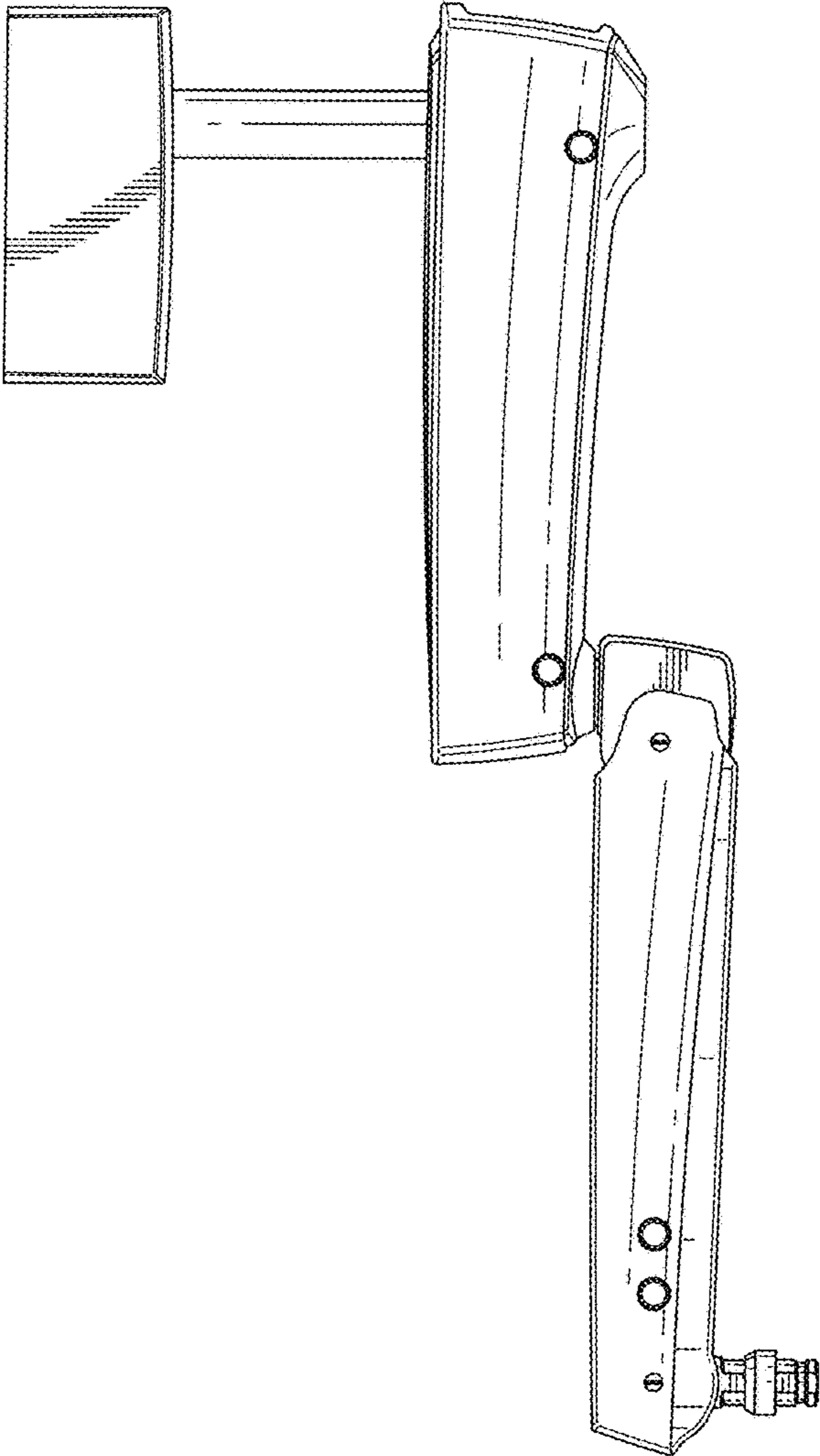


FIG. 2

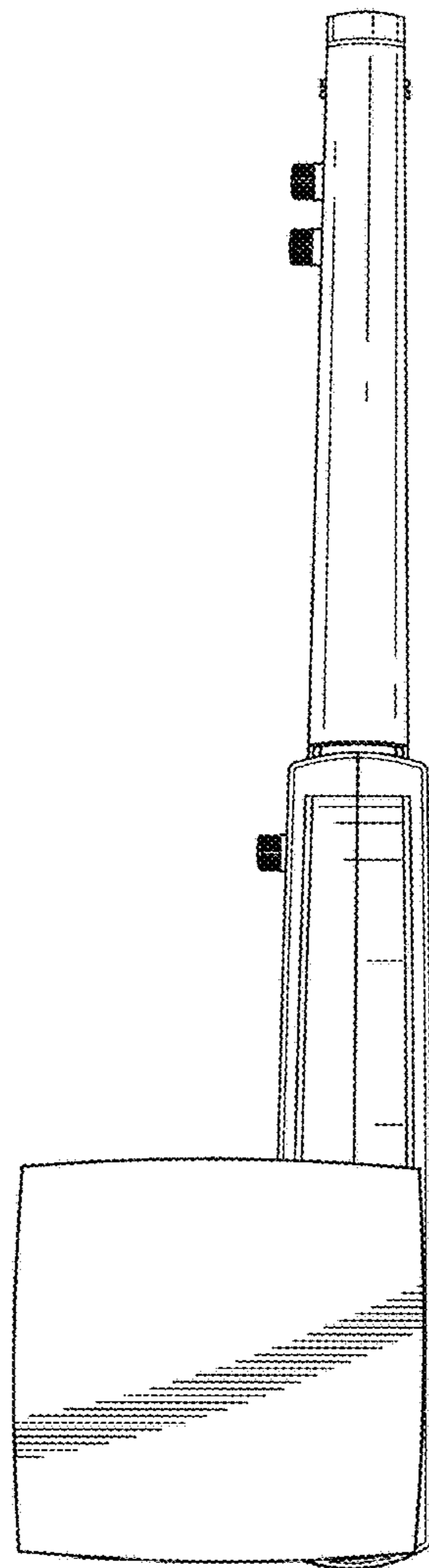


FIG. 3

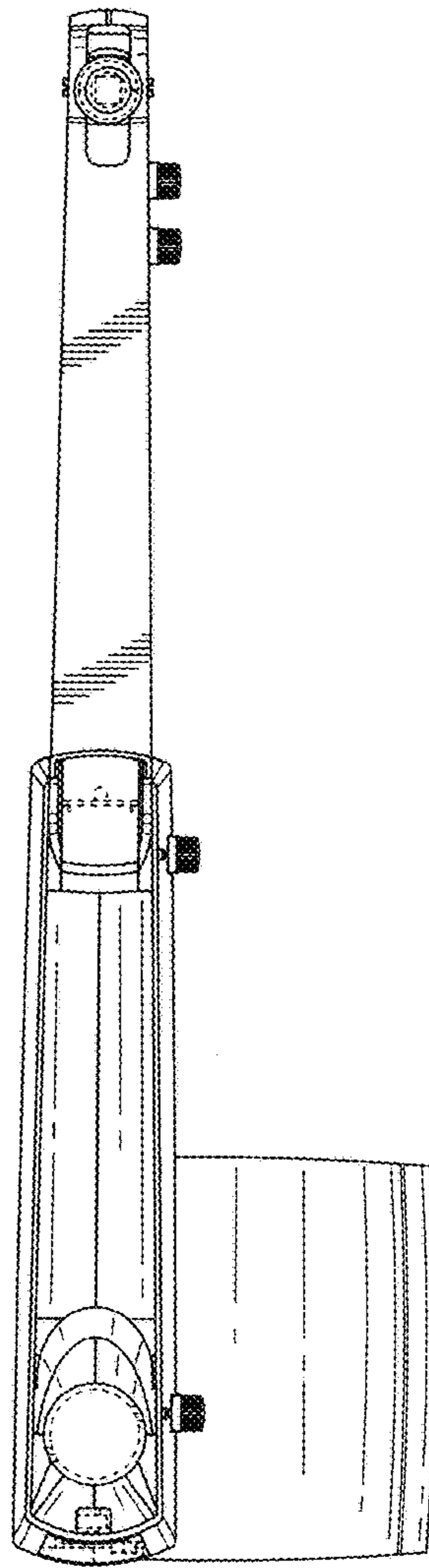


FIG. 4



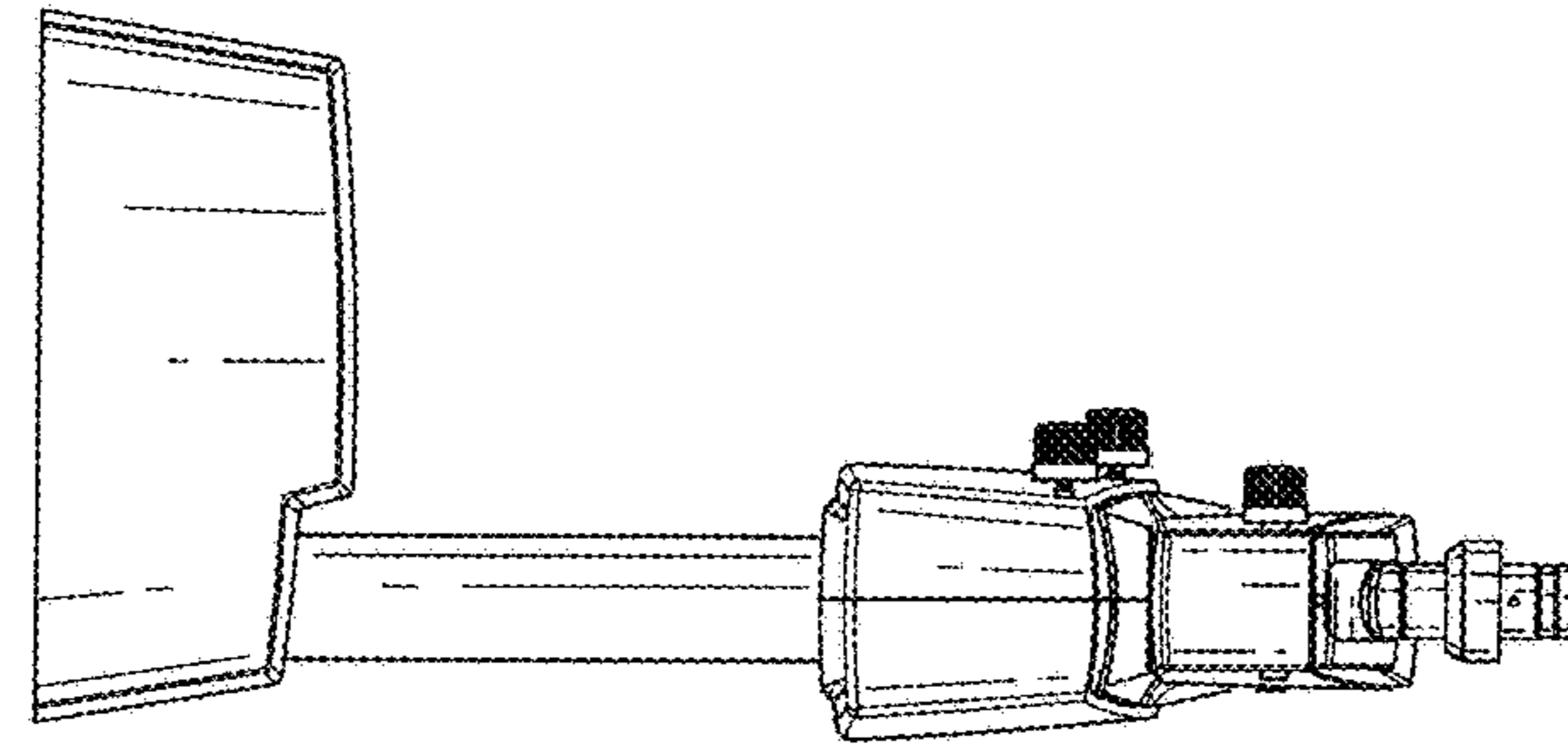


FIG. 6

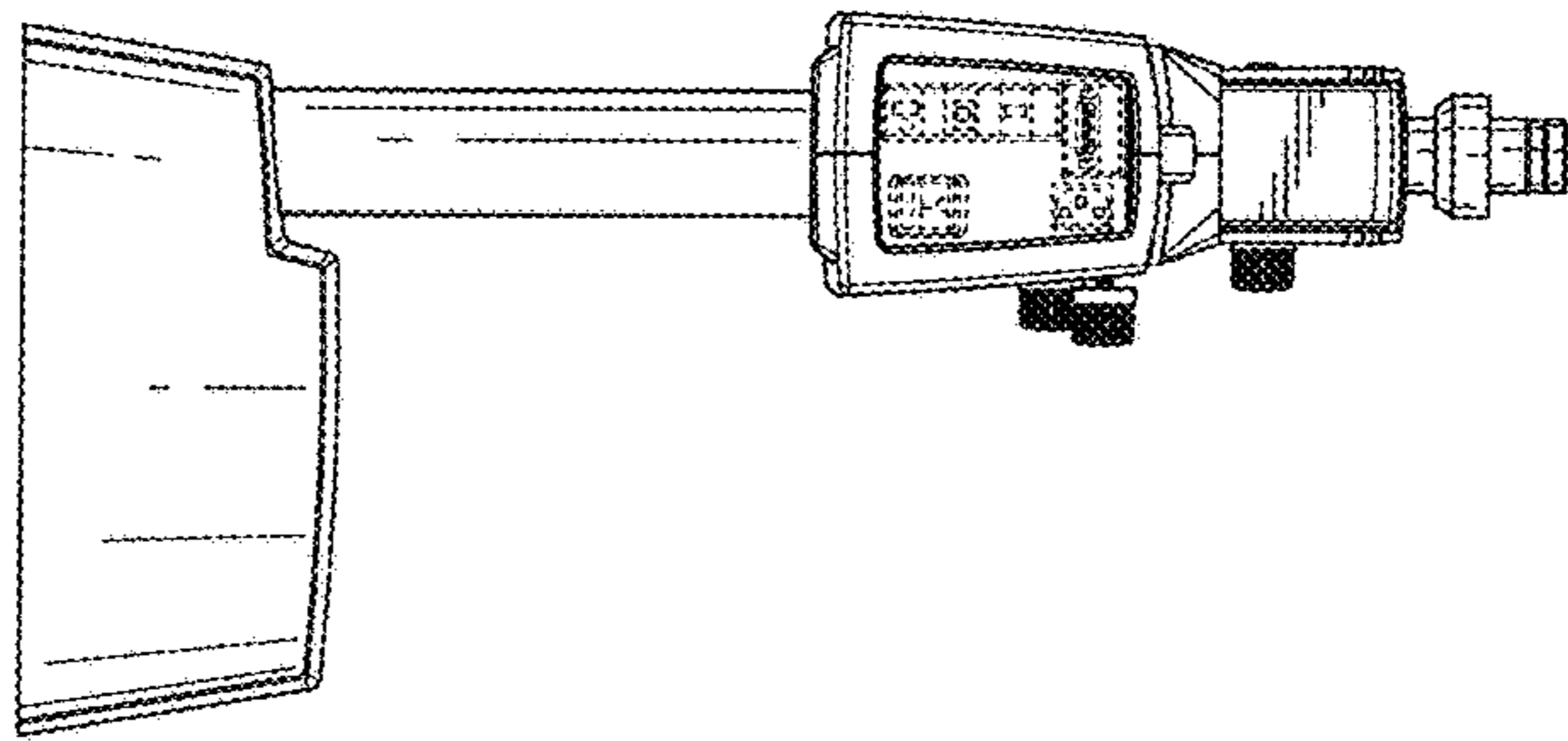


FIG. 5

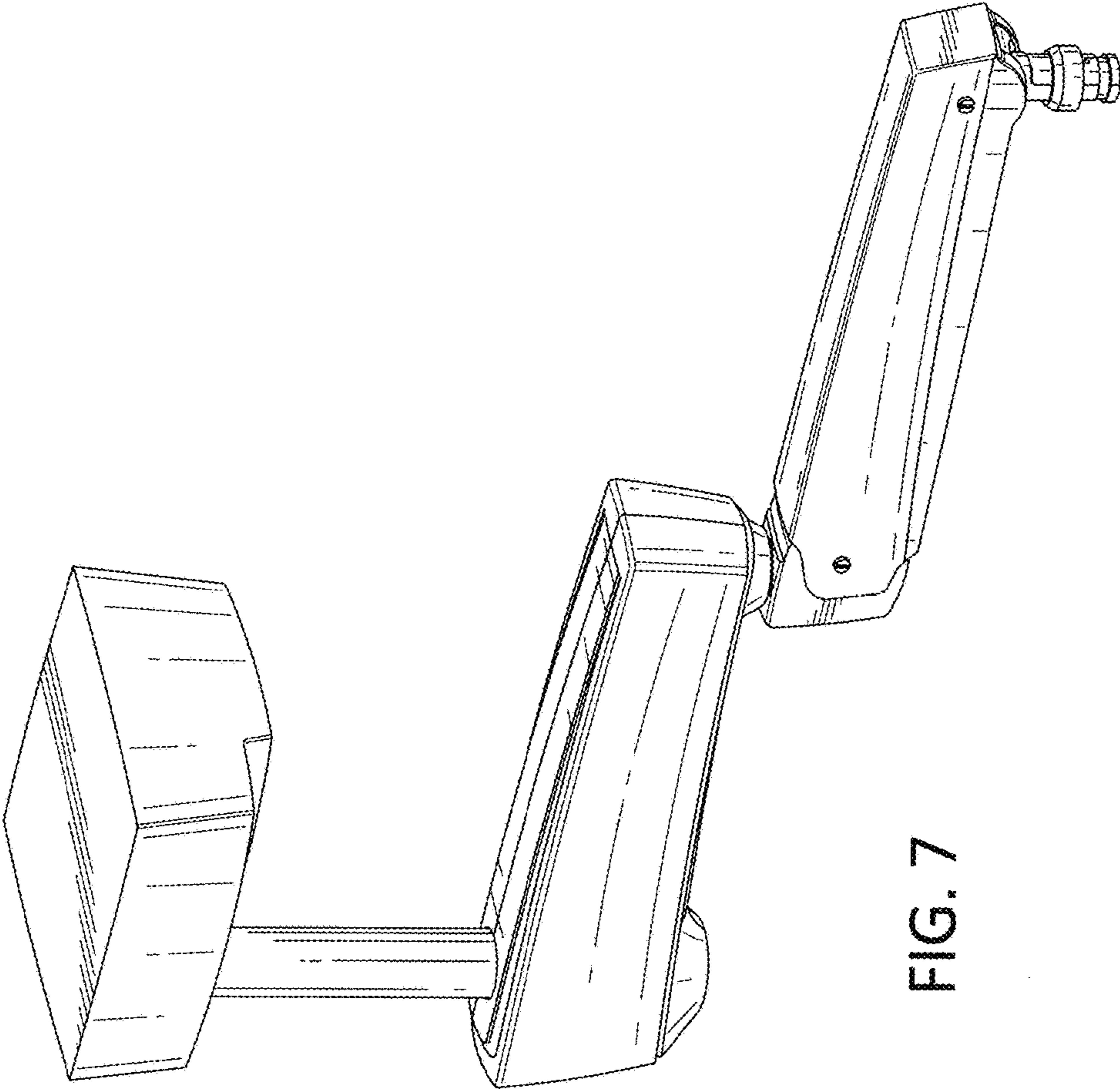


FIG. 7