



US00D842354S

(12) **United States Design Patent**  
**Marini**

(10) **Patent No.:** **US D842,354 S**  
(45) **Date of Patent:** **\*\* Mar. 5, 2019**

(54) **TIRE SEALING AND INFLATION DEVICE**

(71) Applicant: **TEK GLOBAL S.R.L.**, Pesaro (IT)

(72) Inventor: **Maurizio Marini**, Pesaro (IT)

(73) Assignee: **TEK Global S.R.L.**, Pesaro (IT)

(\*\*) Term: **15 Years**

(21) Appl. No.: **35/503,395**

(22) Filed: **Jan. 5, 2017**

(80) **Hague Agreement Data**

Int. Filing Date: **Jan. 5, 2017**

Int. Reg. No.: **DM/096782**

Int. Reg. Date: **Jan. 5, 2017**

Int. Reg. Pub. Date: **Jul. 21, 2017**

(30) **Foreign Application Priority Data**

Jul. 5, 2016 (EM) ..... 003295112

(51) **LOC (11) Cl.** ..... **15-99**

(52) **U.S. Cl.**

USPC ..... **D15/199**

CPC ..... **B29C 73/166** (2013.01)

(58) **Field of Classification Search**

USPC ..... D8/105, 499; D15/199; 141/38, 67, 100

CPC ..... B29C 73/166

See application file for complete search history.

(56) **References Cited**

**U.S. PATENT DOCUMENTS**

6,283,172 B1 \* 9/2001 Thurner ..... B29C 73/166

141/114

6,705,360 B1 \* 3/2004 Bonzer ..... B60S 5/046

141/192

6,789,581 B2 \* 9/2004 Cowan ..... B29C 73/166

141/100

D544,895 S \* 6/2007 Izumoto ..... D15/199

D557,299 S \* 12/2007 Marini ..... D15/199  
D574,866 S \* 8/2008 Yoshida ..... D15/199  
D597,574 S \* 8/2009 Rittweger ..... D15/199  
D611,076 S \* 3/2010 Yoshida ..... D15/199  
D613,320 S \* 4/2010 Marini ..... D15/199  
7,789,110 B2 \* 9/2010 Marini ..... B29C 73/166  
141/38  
7,789,112 B1 \* 9/2010 Wise ..... B60S 5/046  
141/1  
D631,494 S \* 1/2011 Marini ..... D15/199  
D645,056 S \* 9/2011 Marini ..... D15/9  
8,146,622 B2 \* 4/2012 Guan ..... B29C 73/166  
141/114  
D663,747 S \* 7/2012 Marini ..... D15/9  
8,857,477 B2 \* 10/2014 Lolli ..... B29C 73/166  
141/38  
9,061,471 B2 \* 6/2015 Marini ..... B29C 73/166  
D747,265 S \* 1/2016 Marini ..... D13/107  
D778,959 S \* 2/2017 Marini ..... D15/7  
D811,443 S \* 2/2018 Marini ..... D15/9  
2004/0221439 A1 \* 11/2004 Villarreal ..... B66F 3/247  
29/407.08

(Continued)

*Primary Examiner* — Richard E Chilcot

(74) *Attorney, Agent, or Firm* — Dorsey & Whitney LLP

(57) **CLAIM**

The ornamental design for a tire sealing and inflation device, as shown and described.

**DESCRIPTION**

1.-2. Tire sealing and inflation device

FIG. 1.1 is a perspective view of a new design for a tire sealing and inflation device;

FIG. 1.2 is a top plan view thereof;

FIG. 1.3 is a bottom plan view thereof;

FIG. 1.4 is a left side elevational view thereof;

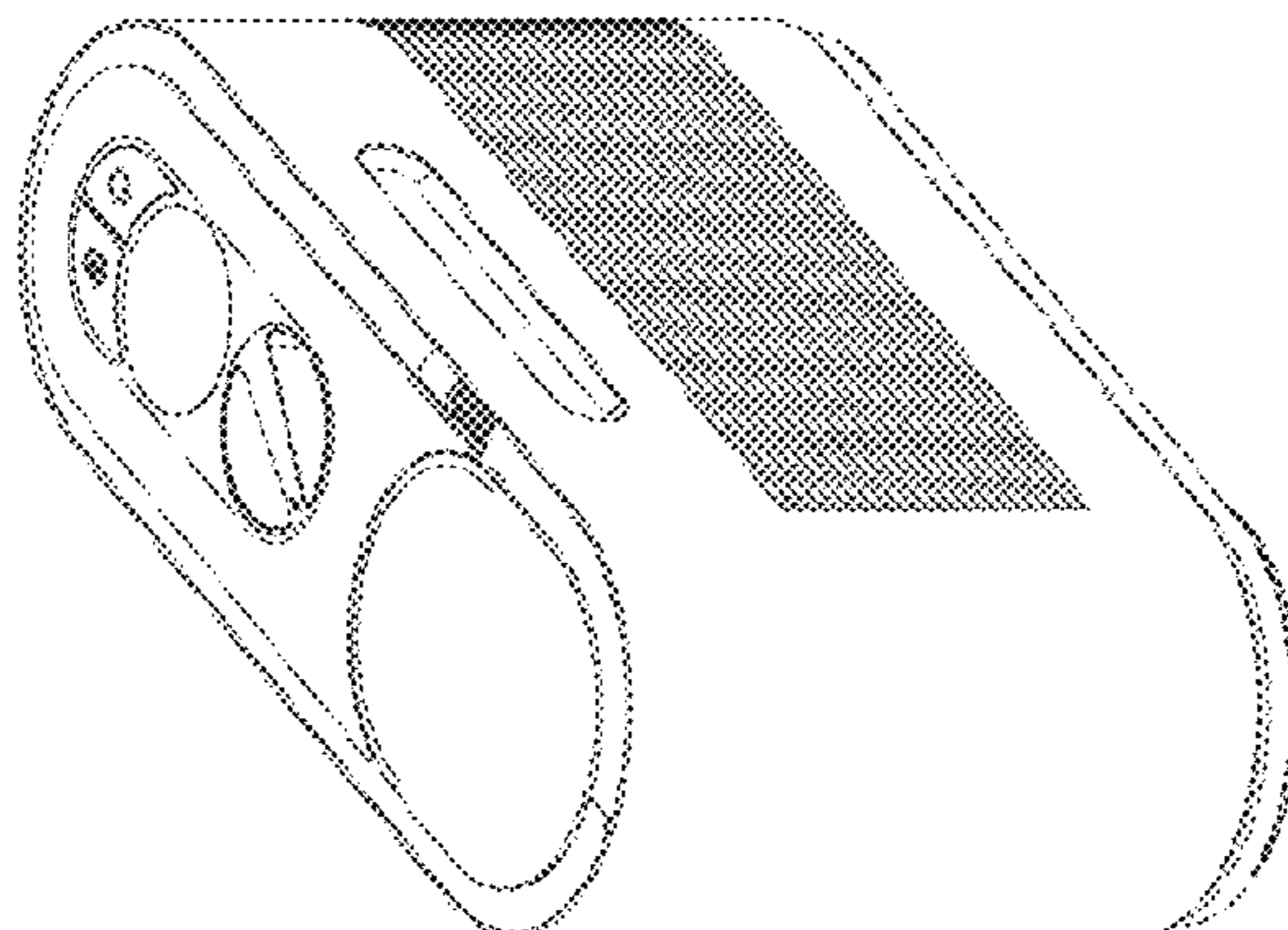
FIG. 1.5 is a right side elevational view thereof;

FIG. 1.6 is a front elevational view thereof; and

FIG. 1.7 is a back elevational view thereof.

The broken lines shown in the drawings are for illustrative purposes only and form no part of the claimed design.

**1 Claim, 7 Drawing Sheets**



(56)

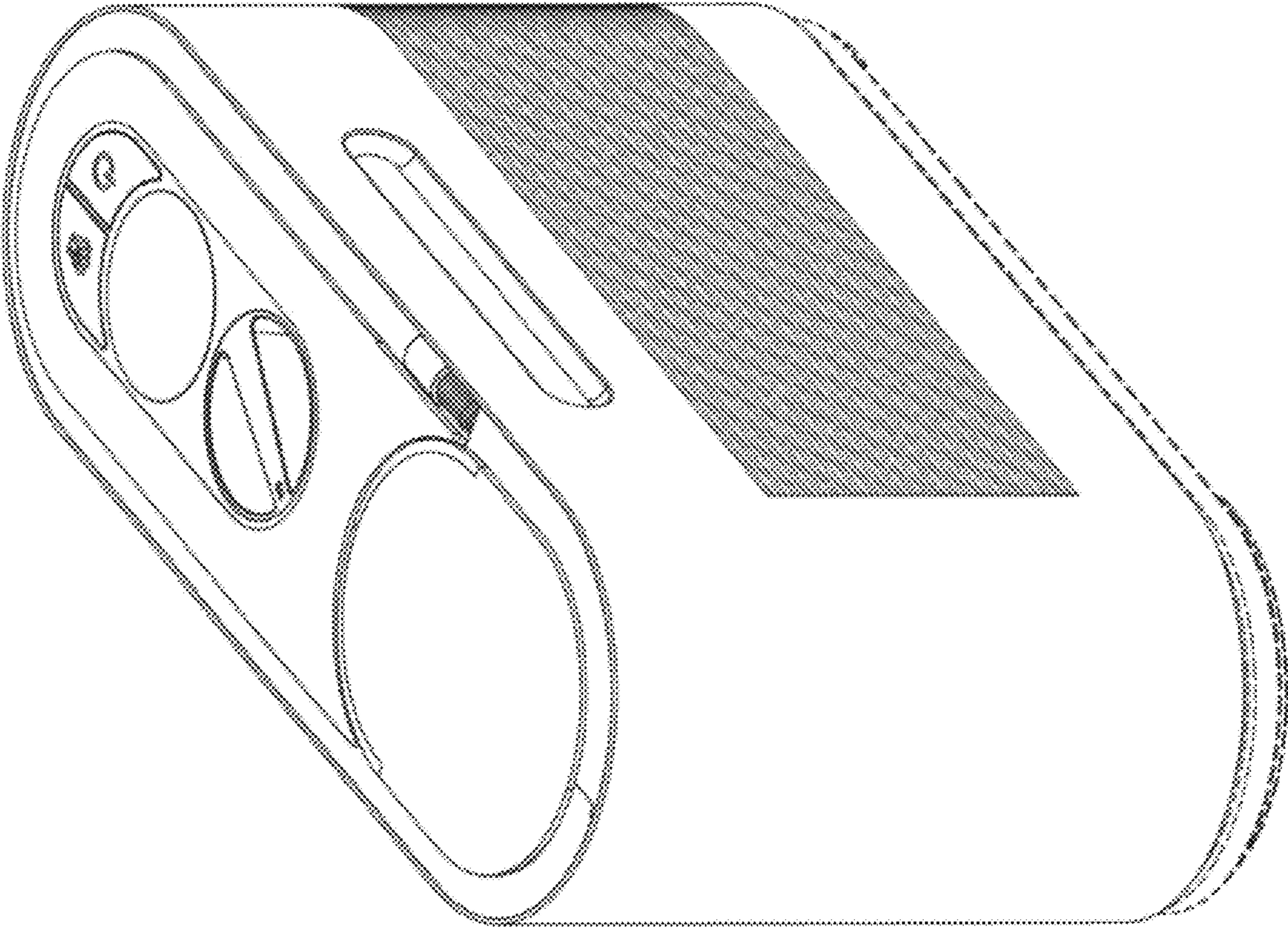
**References Cited**

U.S. PATENT DOCUMENTS

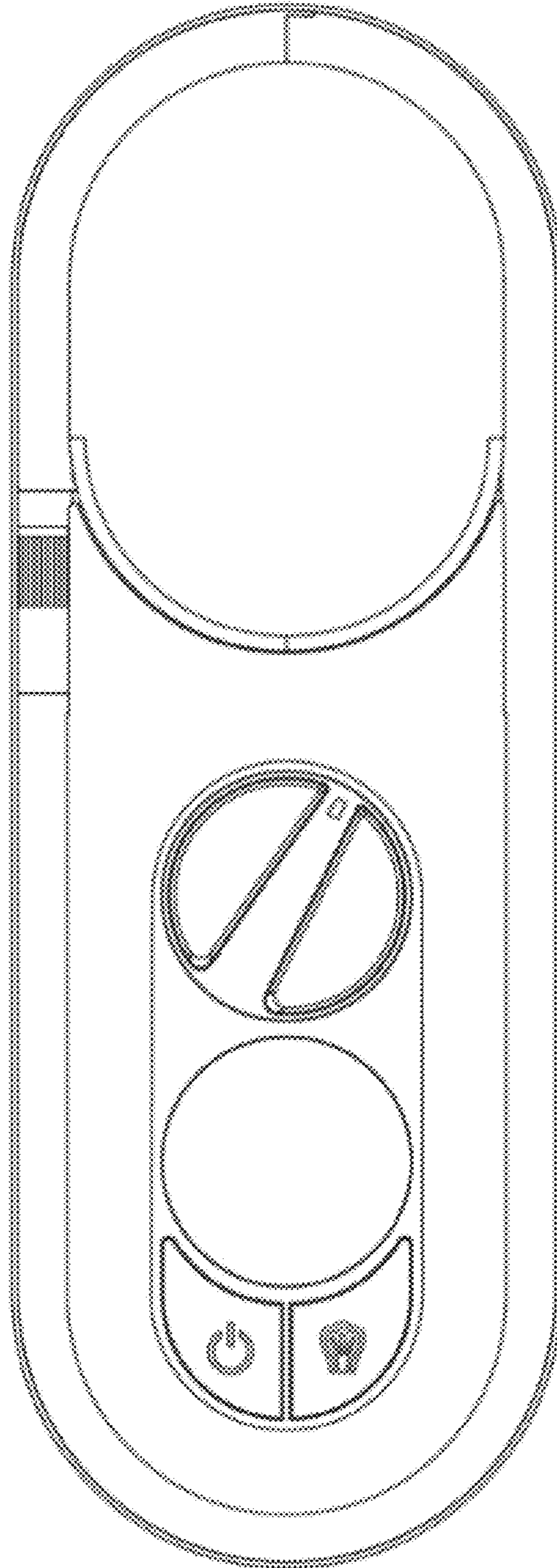
2008/0145245 A1\* 6/2008 Chou ..... B29C 73/166  
417/415  
2009/0139604 A1\* 6/2009 Lolli ..... B29C 73/166  
141/38  
2009/0301602 A1\* 12/2009 Lolli ..... B29C 73/166  
141/38

\* cited by examiner

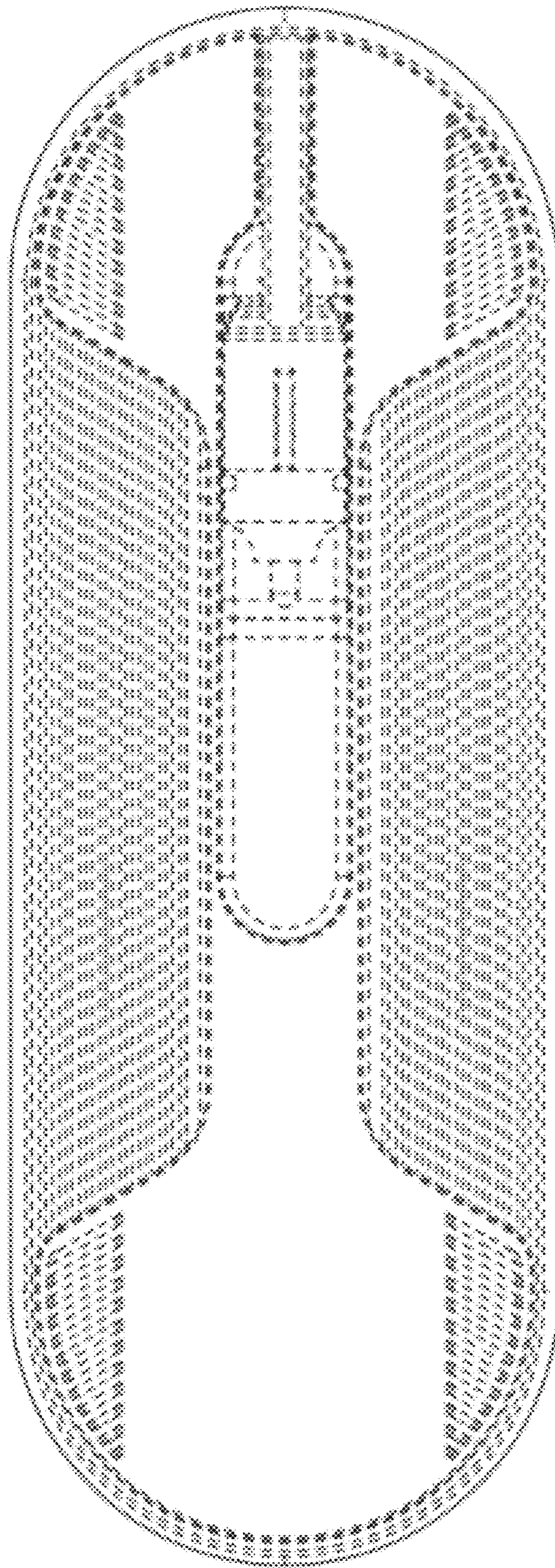
1.1



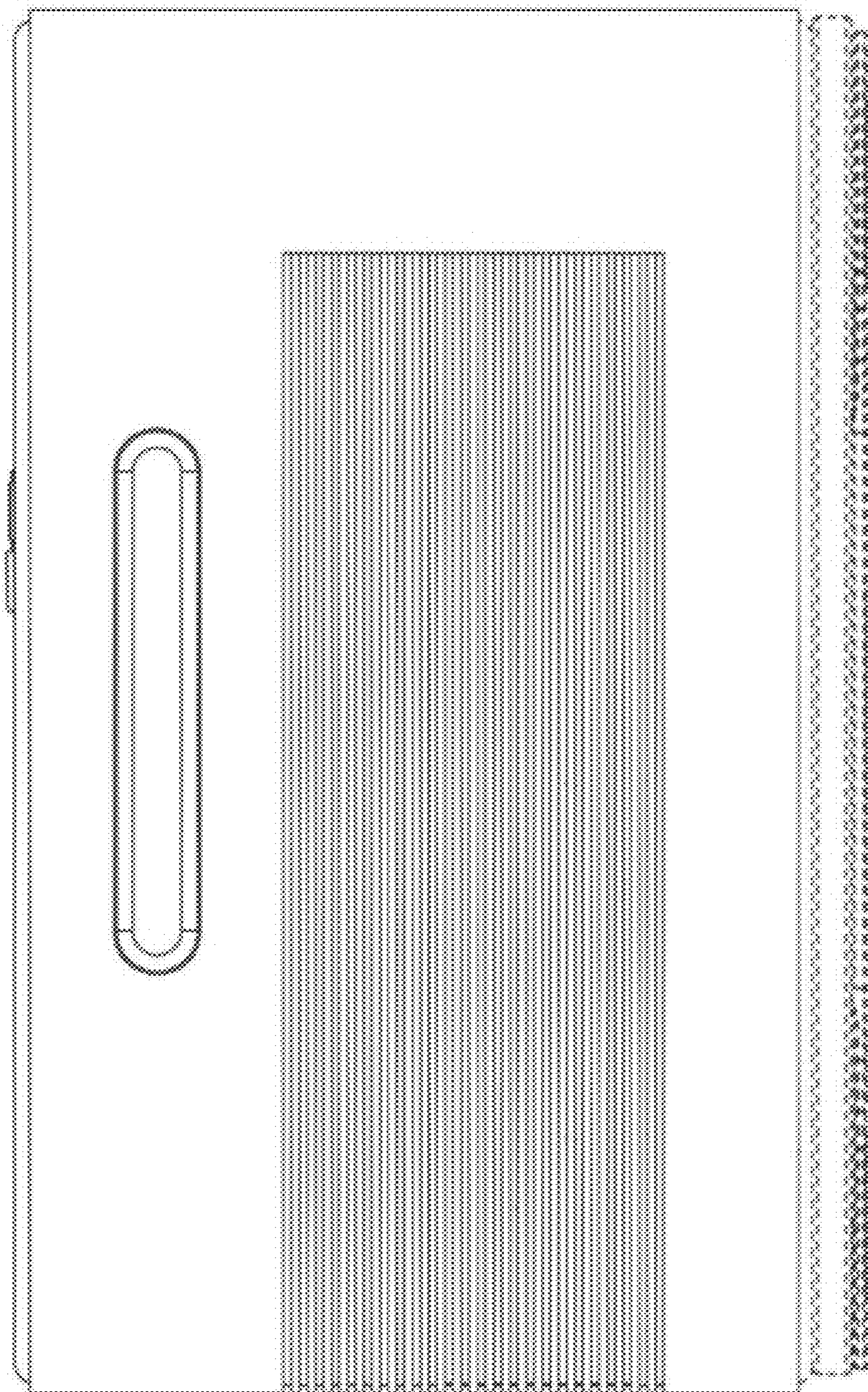
# 1.2



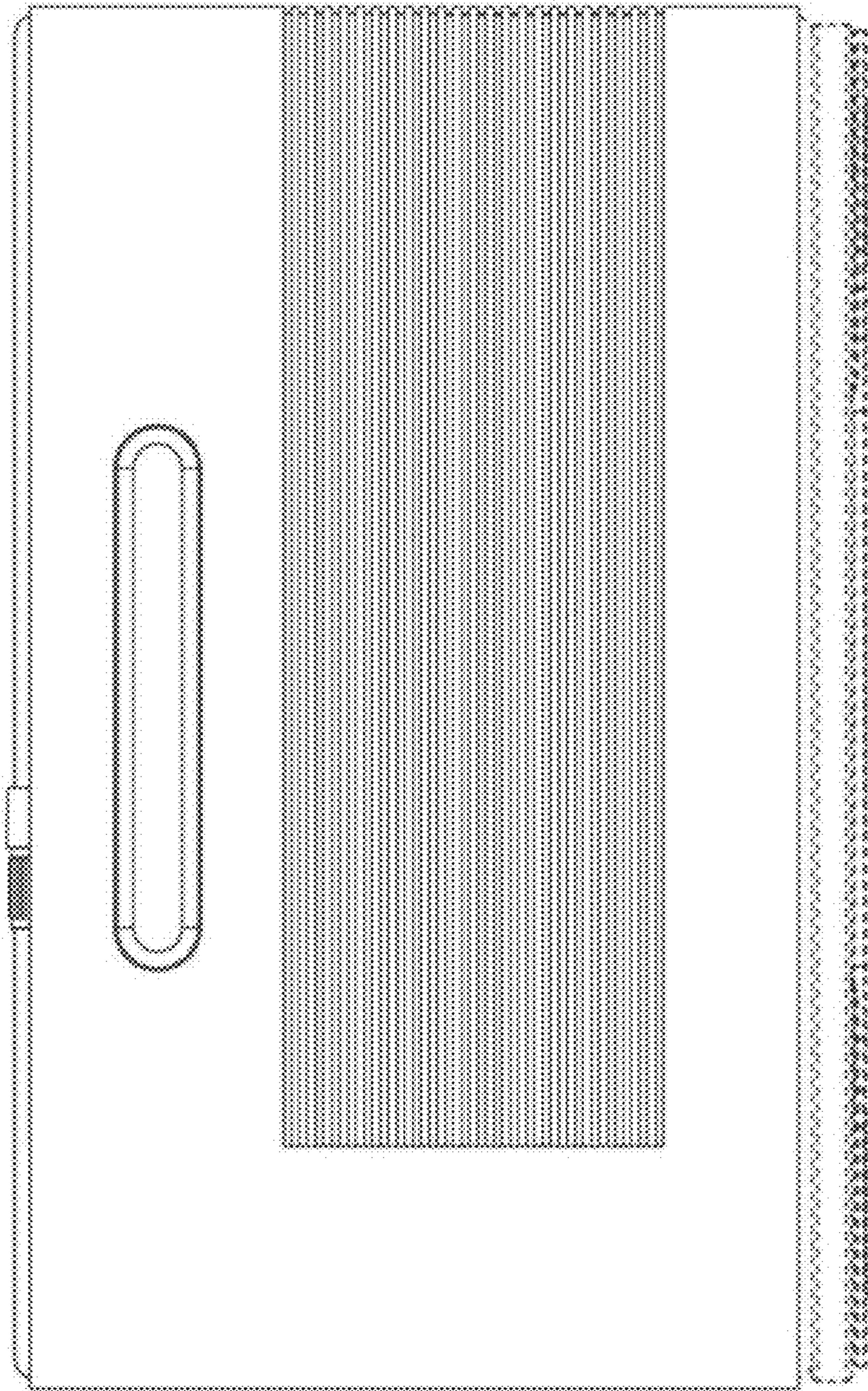
# 1.3



1.4



1.5



**1.6**





**1.7**

