



US00D842353S

(12) **United States Design Patent**
Lee et al.

(10) **Patent No.:** **US D842,353 S**
(45) **Date of Patent:** **** Mar. 5, 2019**

(54) **ROBOT AIR CONDITIONER**
(71) Applicant: **HANON SYSTEMS**, Daejeon (KR)
(72) Inventors: **Jeong Hoon Lee**, Daejeon (KR); **Dong Woo Kim**, Daejeon (KR)
(73) Assignee: **HANON SYSTEMS**, Daejeon (KR)
(**) Term: **15 Years**

D579,035 S * 10/2008 Kim B25J 11/008
D15/199
D631,074 S * 1/2011 Peters D15/144
D631,901 S * 2/2011 Brooks D15/199
D660,946 S * 5/2012 Sengoku D23/332
D664,724 S * 7/2012 Chen D32/15
8,359,122 B2 * 1/2013 Koselka B25J 5/007
700/245
D701,256 S * 3/2014 Song D15/199
D709,992 S * 7/2014 O'Leary D23/225
(Continued)

(21) Appl. No.: **29/589,083**

OTHER PUBLICATIONS

(22) Filed: **Dec. 28, 2016**

NewAir AF-1000 Portable Evaporative Cooler, posted on bedbathandbeyond.com, earliest review posted Jan. 2, 2014, no production date given, [online], [site visited Aug. 14, 2017], Available from Internet, <URL: <https://www.bedbathandbeyond.com/store/product/newair-af-1000-portable-evaporative-cooler/3271425?categoryId=13327#BVRRWidgetID>>.*

(30) **Foreign Application Priority Data**

Dec. 9, 2016 (KR) 30-2016-0059682

(51) **LOC (11) Cl.** **15-99**

(52) **U.S. Cl.**
USPC **D15/199**

(58) **Field of Classification Search**
USPC D7/300, 305, 306-311, 397-400;
D10/22, 23, 25, 28; D15/10-13, 22, 199;
D20/1, 4, 5, 8; D23/314, 317, 325, 328,
D23/329, 330, 332, 333, 349, 351, 367,
D23/383; D32/17, 18, 21, 22, 31-34
CPC A63H 11/00; A63H 2200/00; B25J 9/00;
B25J 9/04; B25J 18/00; G06N 3/00;
G06N 3/004; G06N 3/008

See application file for complete search history.

(56) **References Cited**

U.S. PATENT DOCUMENTS

D337,592 S * 7/1993 Hider D15/79
D445,116 S * 7/2001 Evans D15/79
D474,204 S * 5/2003 Abenroth D15/11
D508,508 S * 8/2005 Burick D15/199
D548,753 S * 8/2007 Kim D15/30
D549,310 S * 8/2007 Hou D23/333
D554,745 S * 11/2007 Urfig D23/351
D576,703 S * 9/2008 Nathan D23/225

(Continued)

Primary Examiner — Melanie H Tung
Assistant Examiner — Fritzgerald L Butac
(74) *Attorney, Agent, or Firm* — Dickinson Wright PLLC

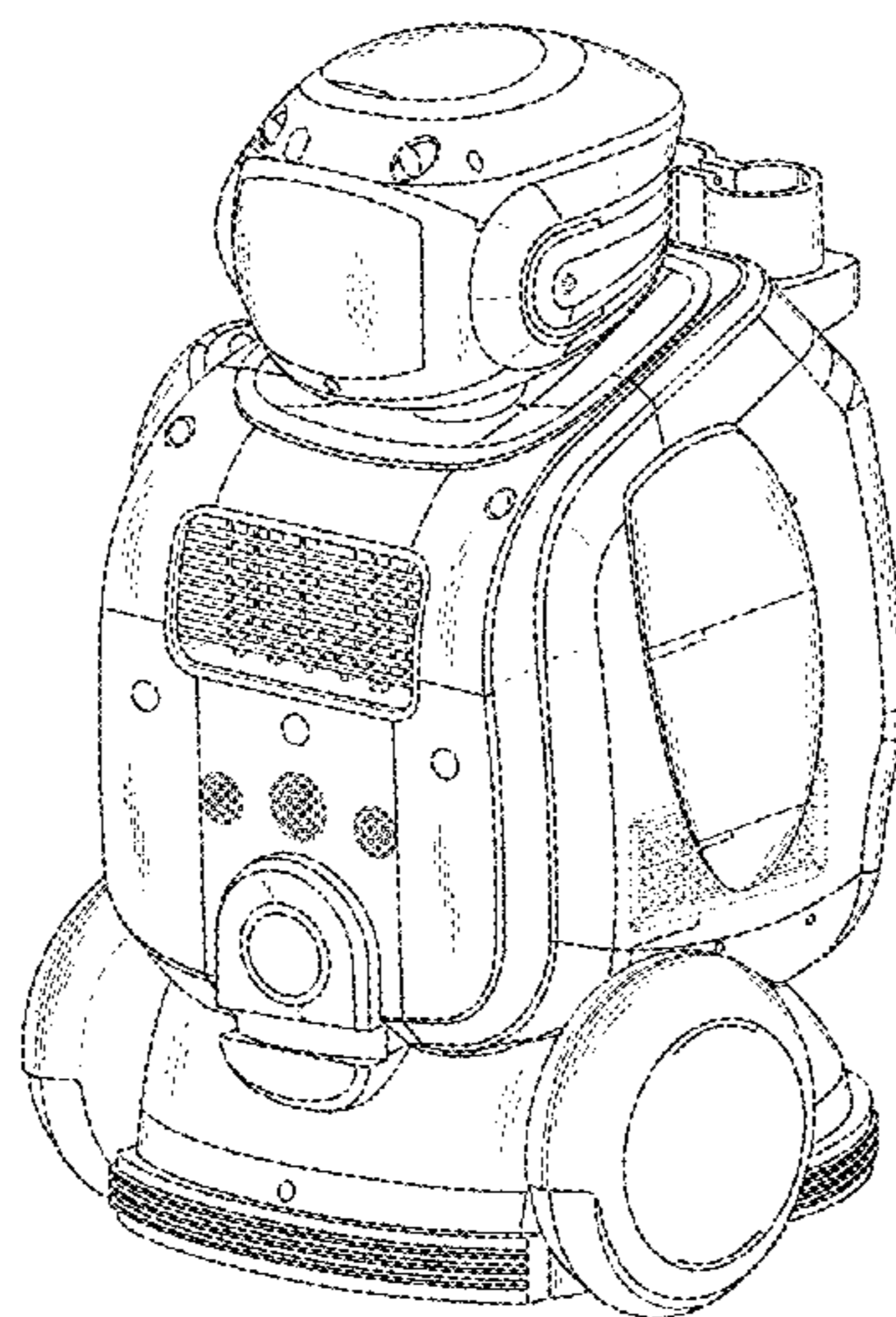
(57) **CLAIM**

We claim the ornamental design for a robot air conditioner, as shown herein.

DESCRIPTION

FIG. 1 is a front, left view of a robot air conditioner; FIG. 2 is a rear, left view of the design; FIG. 3 is a front view of the design; FIG. 4 is a rear view of the design; FIG. 5 is a left side view of the design; FIG. 6 is a right side view of the design; FIG. 7 is a plan view of the design; and, FIG. 8 is a bottom view of the design. The broken lines show portions of a robot air conditioner that form no part of the claimed design.

1 Claim, 7 Drawing Sheets



(56)

References Cited

U.S. PATENT DOCUMENTS

D712,605 S * 9/2014 Dammkoehler D32/21
D727,847 S * 4/2015 Jaskowiak D13/116
D729,468 S * 5/2015 Dammkoehler D32/15
D729,734 S * 5/2015 Tehranchi D13/122
D737,005 S * 8/2015 Dammkoehler D32/16
D737,528 S * 8/2015 Dammkoehler D32/25
D739,100 S * 9/2015 Tatic D32/15
9,535,421 B1 * 1/2017 Canoso G05D 1/0214
D783,057 S * 4/2017 Cook D15/10
D792,037 S * 7/2017 Yin D32/17
D793,635 S * 8/2017 Dammkoehler D32/16

OTHER PUBLICATIONS

Portable Air Conditioner, posted on [homeportableac.com](http://www.homeportableac.com), no posted date given, no production date given, [online], [site visited Aug. 14, 2017], Available from Internet, <URL: <http://www.homeportableac.com/portable-quiet-air-conditioner>>.*

Transform your Air Conditioner!, posted on theacsuit.com, no posted date given, no production date given, [online], [site visited Aug. 14, 2017], Available from Internet, <URL: <http://theacsuit.com/transform-your-air-conditioner/>>.*

* cited by examiner

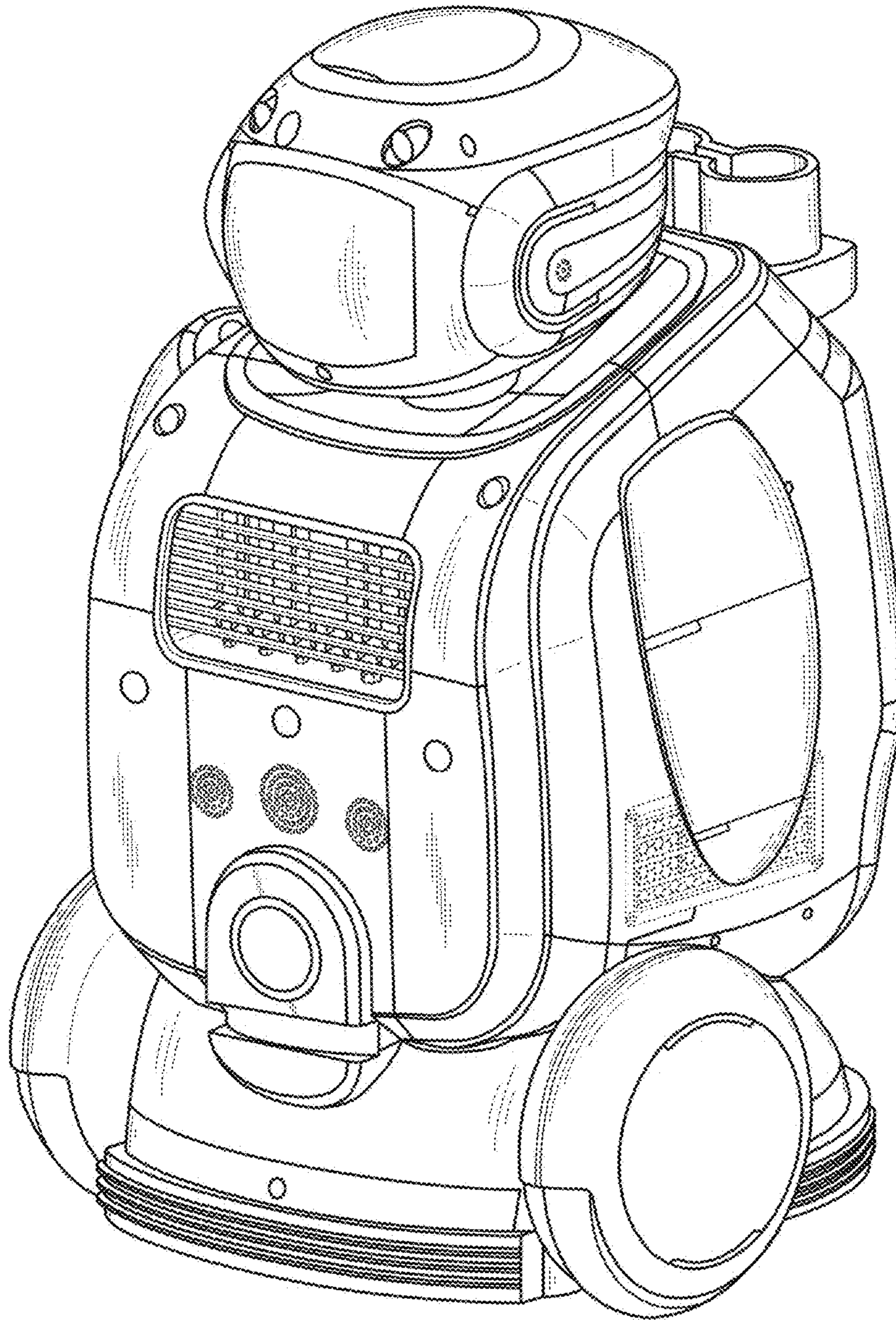


Fig. 1

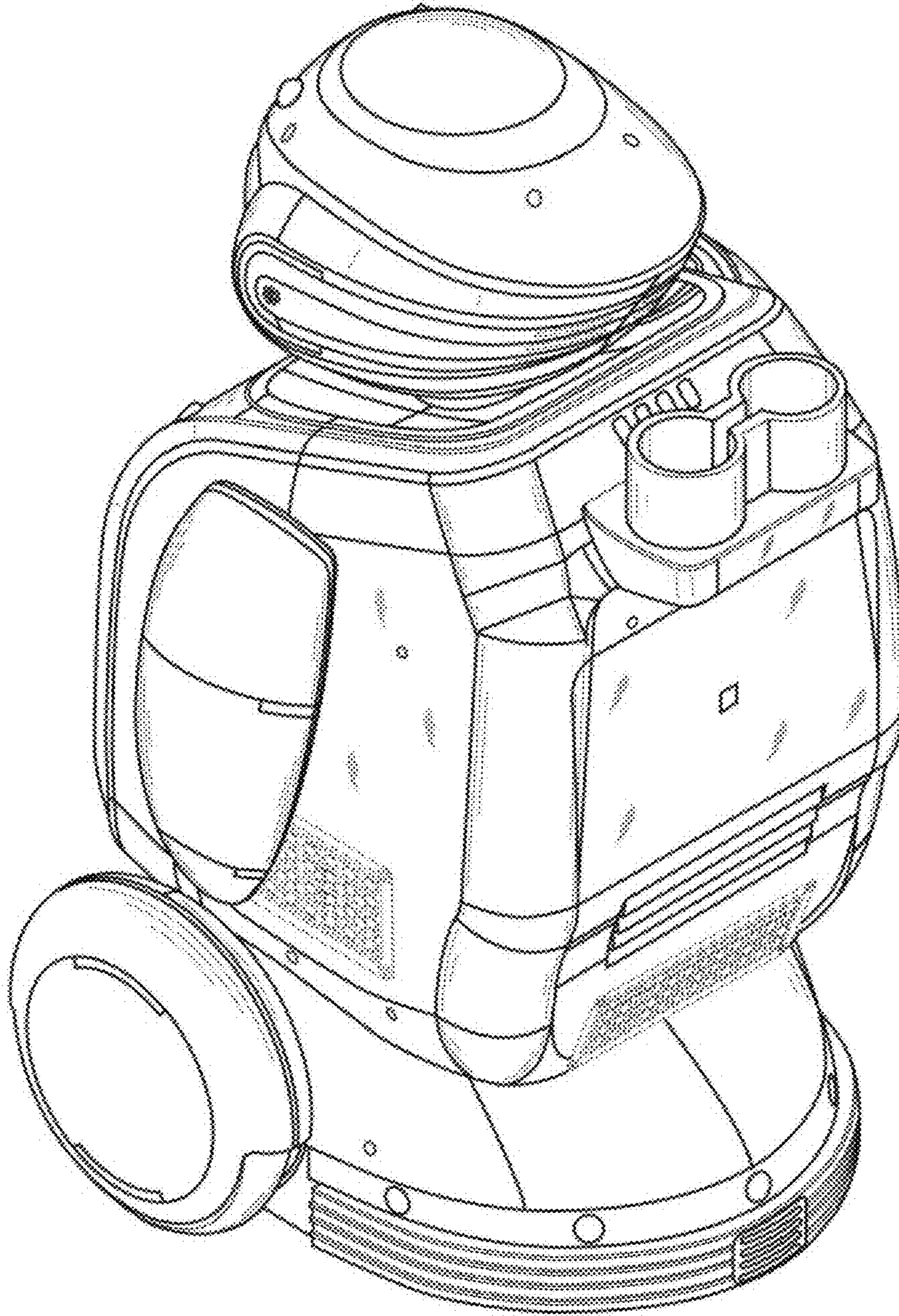


Fig. 2

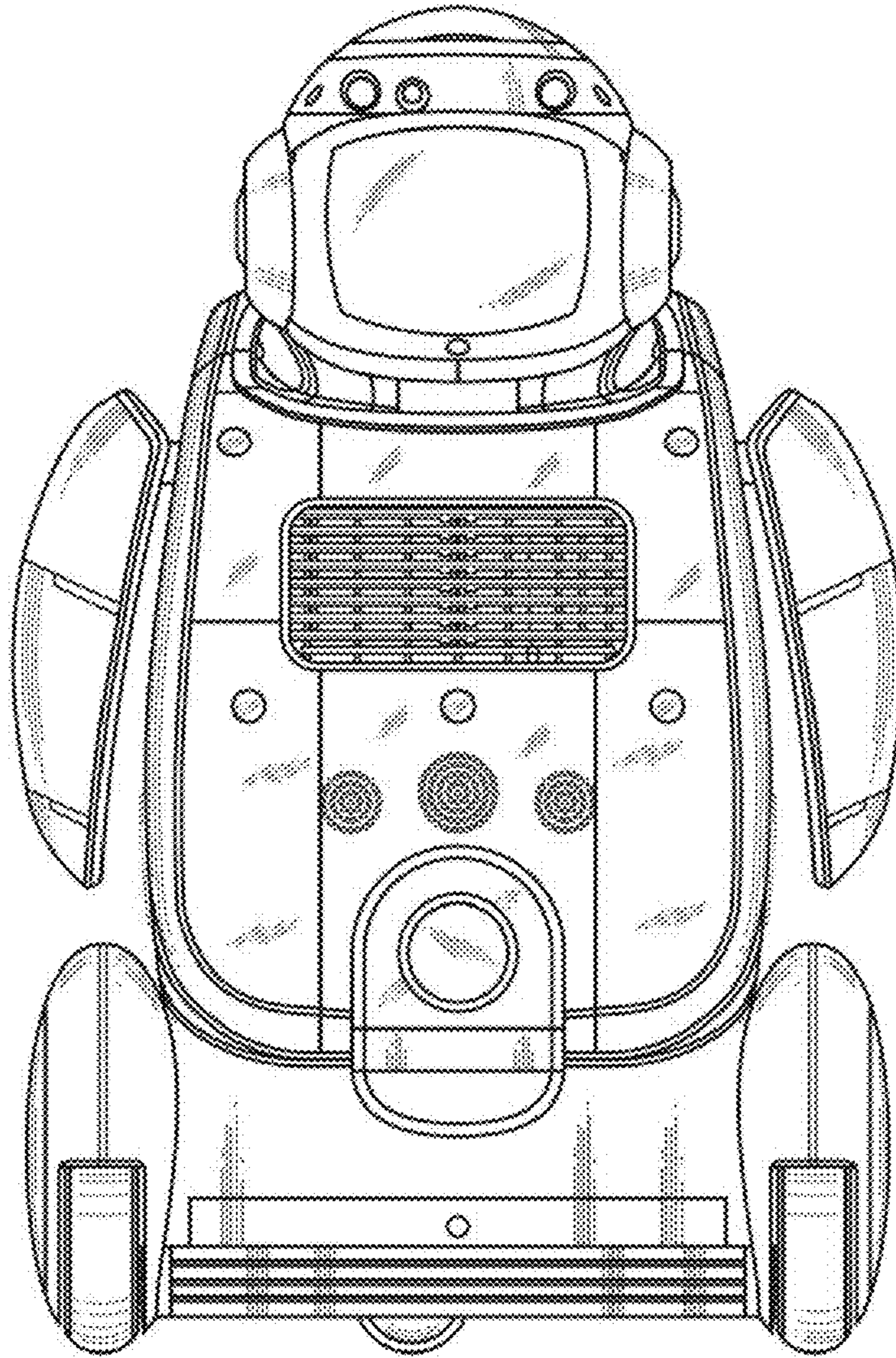


Fig. 3

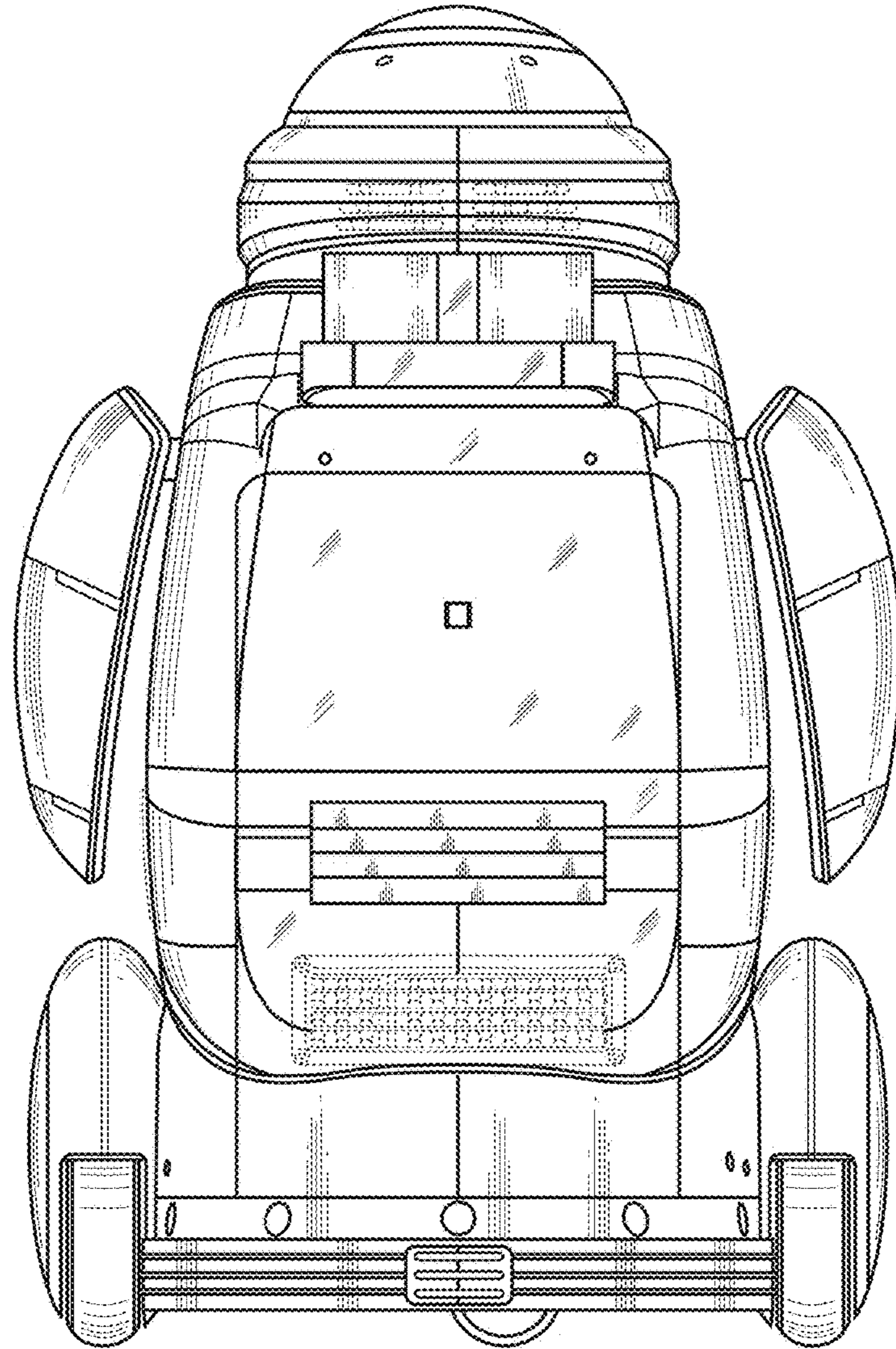


Fig. 4

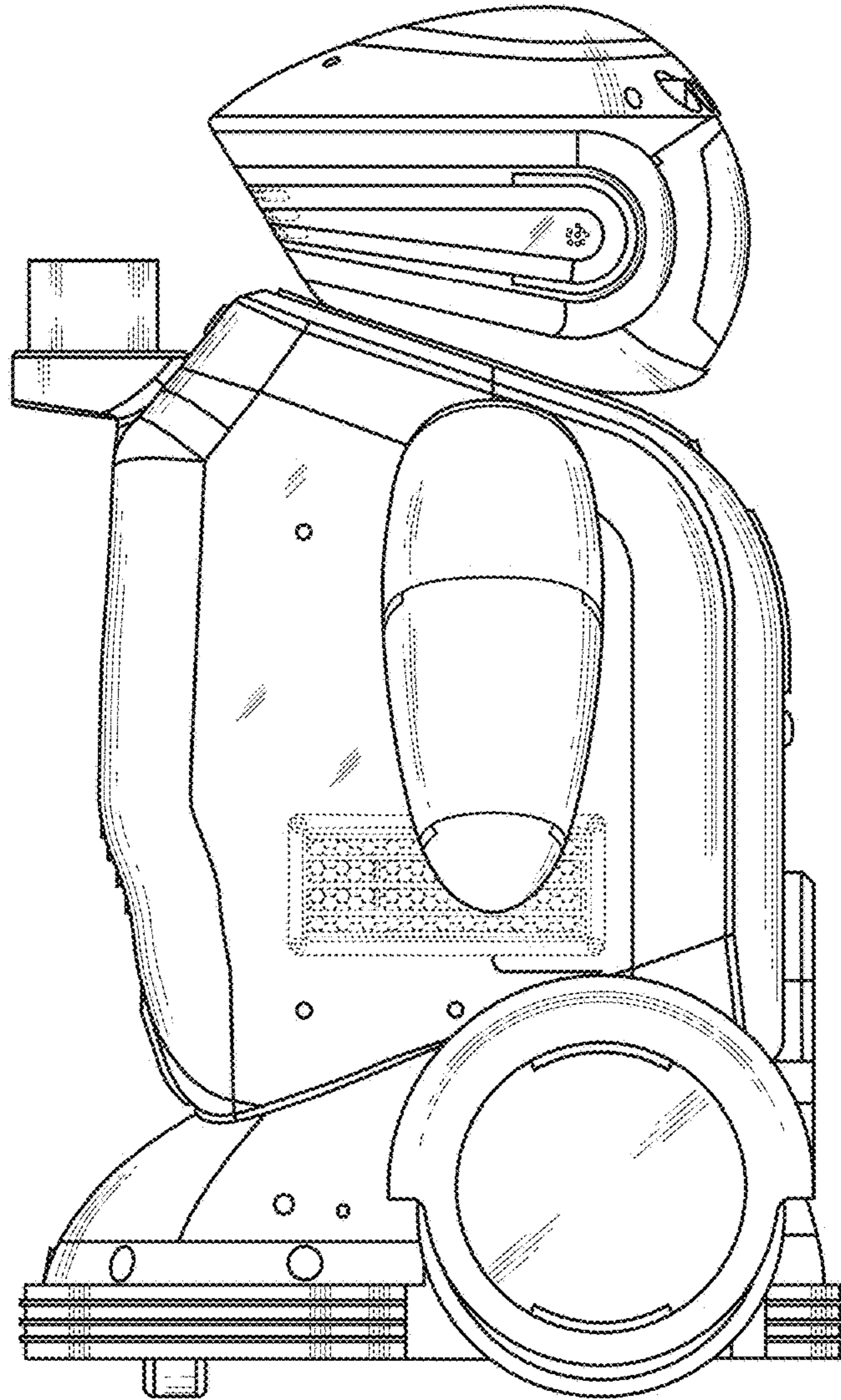


Fig. 5

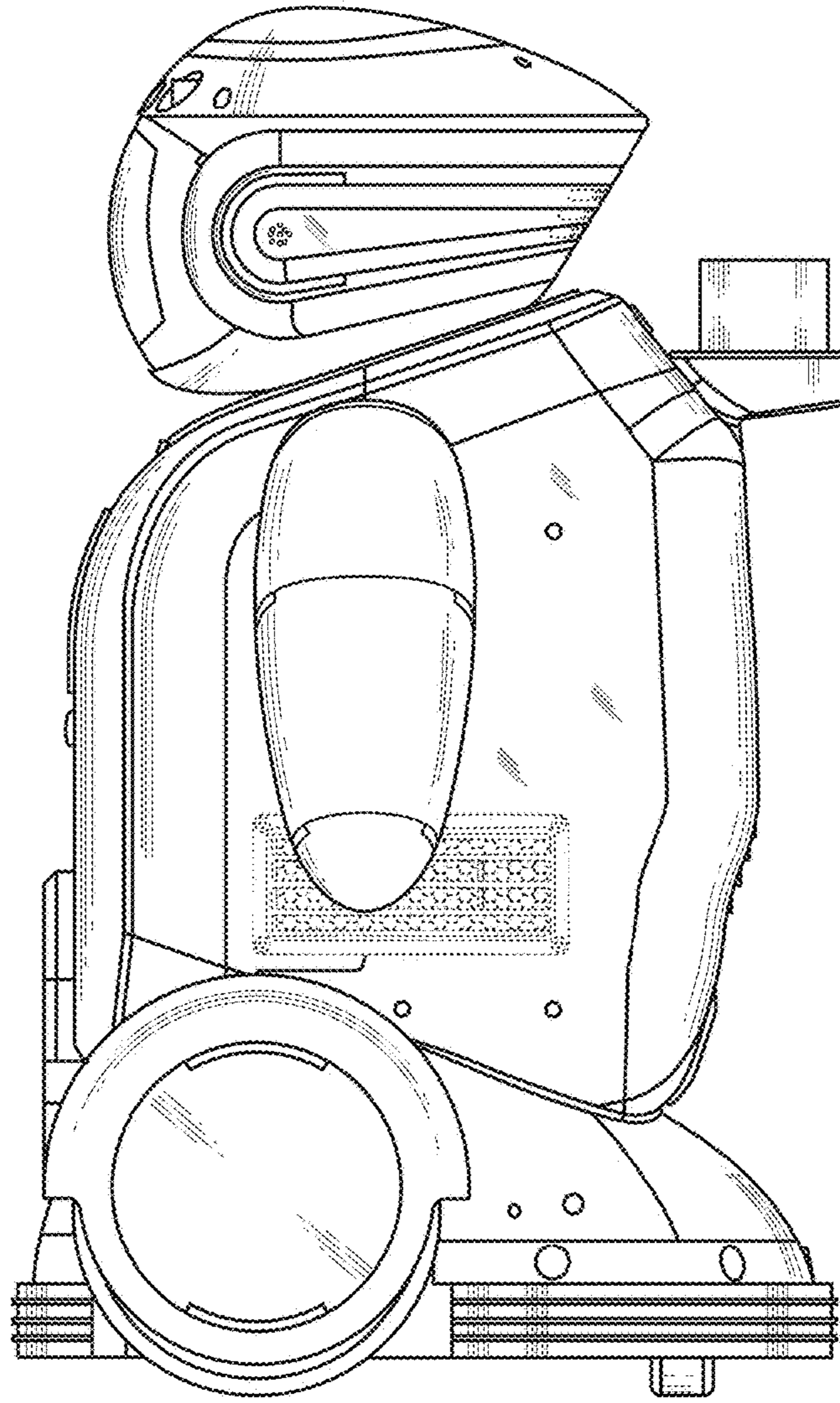


Fig. 6

Fig. 7

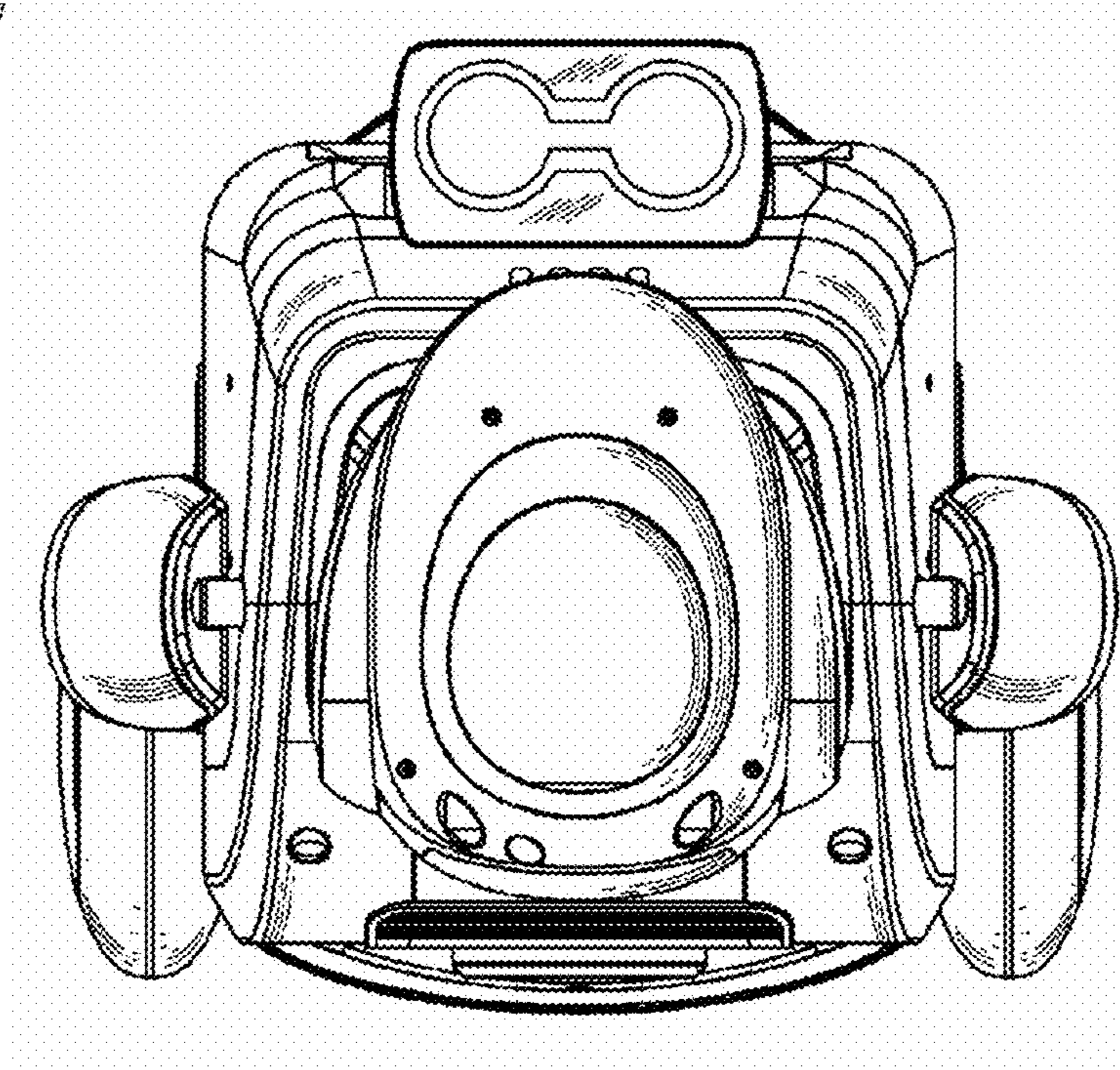


Fig. 8

