



US00D842352S

(12) **United States Design Patent**  
**Si et al.**

(10) **Patent No.:** **US D842,352 S**  
(45) **Date of Patent:** **\*\* Mar. 5, 2019**

(54) **BAG OR SACK FILLING MACHINE**  
(71) Applicant: **Hangzhou Bing Jia Technology Co., Ltd.**, Hangzhou (CN)  
(72) Inventors: **Kuangshu Si**, Hangzhou (CN); **Yuan Li**, Hangzhou (CN); **Guian Si**, Hangzhou (CN); **Yugui Liu**, Hangzhou (CN)  
(73) Assignee: **Hangzhou Bing Jia Technology Co., Ltd.**, Hangzhou, Zhejiang (CN)

4,520,612 A \* 6/1985 Muller ..... B65B 59/04  
53/201  
D282,262 S \* 1/1986 Ramazzotti ..... D15/145  
4,620,408 A \* 11/1986 Parnes ..... B65B 11/025  
53/556  
4,676,284 A \* 6/1987 DeCrane ..... B65B 67/1222  
141/114  
D330,559 S \* 10/1992 Dornhoff ..... D15/148  
6,091,048 A \* 7/2000 Lanouette ..... B23K 9/095  
219/130.21  
D434,428 S \* 11/2000 Kriek ..... D15/144.2  
6,248,975 B1 \* 6/2001 Lanouette ..... B23K 9/095  
219/130.21  
D621,863 S \* 8/2010 Earley ..... D15/199  
(Continued)

(\*\*) Term: **15 Years**

(21) Appl. No.: **29/566,833**

(22) Filed: **Jun. 3, 2016**

(30) **Foreign Application Priority Data**

May 16, 2016 (CN) ..... 2016 3 0182081

(51) **LOC (11) Cl.** ..... **15-99**

(52) **U.S. Cl.**  
USPC ..... **D15/145**

(58) **Field of Classification Search**  
USPC ..... D15/144, 144.1, 144.2, 148, 149, 199  
CPC ... B55H 2801/81; B65B 67/1222; B65B 1/06;  
B65B 1/18; B65B 1/32  
See application file for complete search history.

(56) **References Cited**

**U.S. PATENT DOCUMENTS**

1,701,830 A \* 2/1929 Ward ..... B65B 1/18  
141/315  
1,713,023 A \* 5/1929 Bushman ..... B65B 1/18  
141/281  
D143,395 S \* 1/1946 Benning ..... D15/149  
D189,935 S \* 3/1961 Behnk ..... D15/145  
4,166,348 A \* 9/1979 Carlson ..... B65B 11/04  
53/210

**OTHER PUBLICATIONS**

“YouTube—AirWave1.” Found online May 22, 2018 at www.youtube.com. Video published Sep. 12, 2016. Retrieved from URL: https://www.youtube.com/watch?v=PK0koHAp\_Bo (Year: 2016).\*  
(Continued)

*Primary Examiner* — Garth Rademaker  
*Assistant Examiner* — Katelin G Kloberg

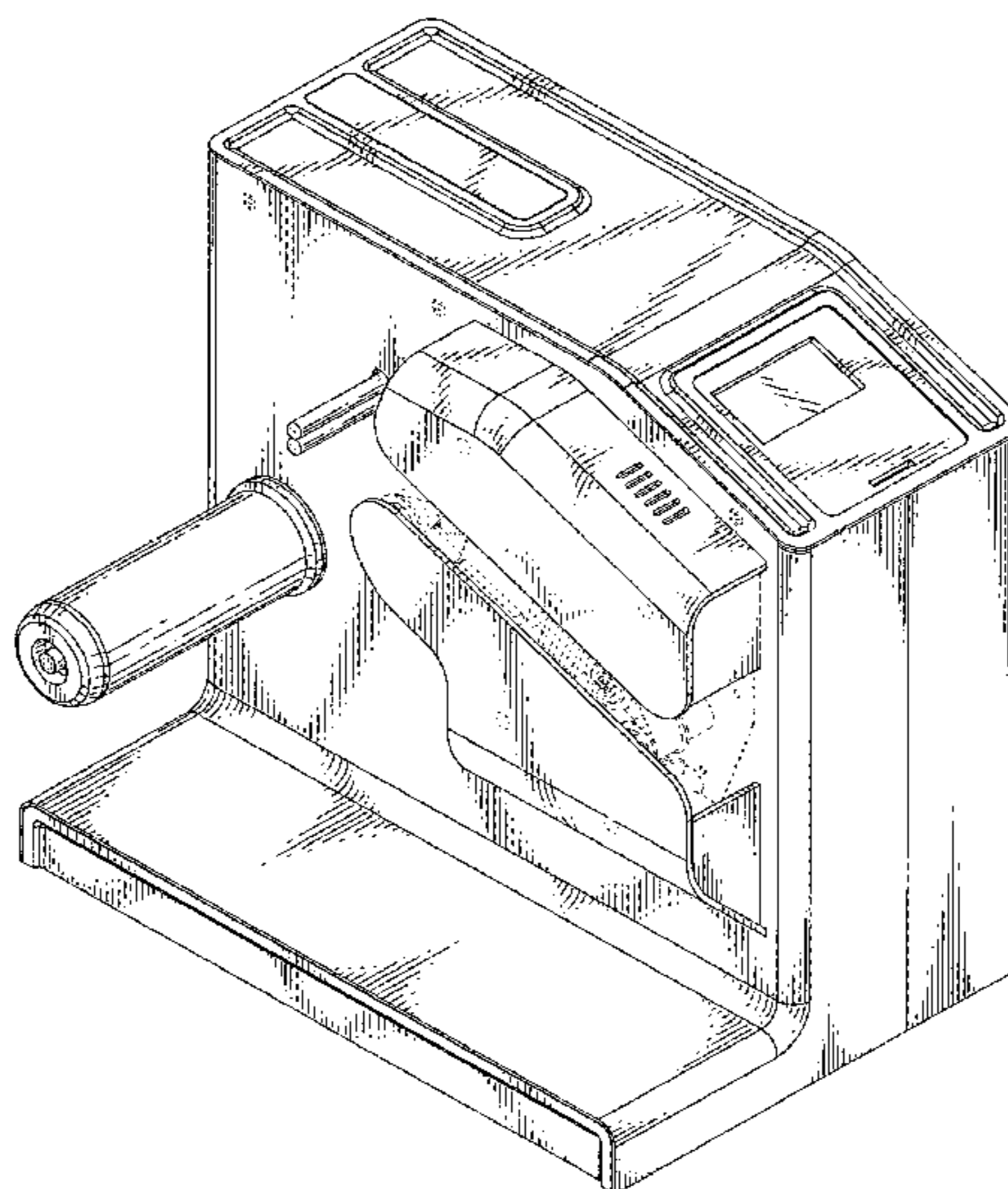
(57) **CLAIM**

We claim the ornamental design for a bag or sack filling machine, as shown and described.

**DESCRIPTION**

FIG. 1 is a perspective view of a bag or sack filling machine showing our new design;  
FIG. 2 is a front elevational view thereof;  
FIG. 3 is a rear elevational view thereof;  
FIG. 4 is a left elevational view thereof;  
FIG. 5 is a right elevational view thereof;  
FIG. 6 is a top elevational view thereof; and,  
FIG. 7 is a bottom elevational view thereof.  
In the drawings, the broken lines illustrate portions of the article that form no part of the claimed design.

**1 Claim, 7 Drawing Sheets**



(56)

References Cited

U.S. PATENT DOCUMENTS

D698,837 S \* 2/2014 Woppermann ..... D15/148  
 D737,876 S \* 9/2015 von Wly ..... D15/144  
 D778,331 S \* 2/2017 Ide ..... D15/144  
 9,737,951 B2 \* 8/2017 Speilman ..... B23K 9/1336  
 D798,352 S \* 9/2017 Si ..... D15/145  
 2005/0066629 A1 \* 3/2005 Taylor ..... B65B 9/22  
 53/551  
 2012/0292422 A1 \* 11/2012 Bonneville ..... B65H 23/1825  
 242/416  
 2013/0292366 A1 \* 11/2013 Enyedy ..... B23K 9/124  
 219/137.2  
 2015/0075114 A1 \* 3/2015 Murch ..... B29D 22/02  
 53/52  
 2018/0099831 A1 \* 4/2018 Lin ..... B65B 7/02

OTHER PUBLICATIONS

“YouTube—Locked Air Multi Function LA-E35.” Found online May 22, 2018 at [www.youtube.com](http://www.youtube.com). Video published Oct. 11, 2016. Retrieved from URL: <https://www.youtube.com/watch?v=tscrBc1GM-c> (Year: 2016).\*

“Mini Air CLASi High Speed Automatic Air Pillow Maker.” Found online May 22, 2018 at [www.amazon.com](http://www.amazon.com). Page dated Jan. 10, 2017. Retrieved from URL: [https://www.amazon.com/Mini-Air-Automatic-Inflatable-Packaging/dp/B01MZ8H9WK/ref=sr\\_1\\_13?ie=UTF8&qid=1527009540&sr=8-13&keywords=air+cushion+machine](https://www.amazon.com/Mini-Air-Automatic-Inflatable-Packaging/dp/B01MZ8H9WK/ref=sr_1_13?ie=UTF8&qid=1527009540&sr=8-13&keywords=air+cushion+machine) (Year: 2017).\*

“Mini Pak’r Air Cushion Machine.” Found online May 22, 2018 at [www.amazon.com](http://www.amazon.com). Page dated Apr. 7, 2014. Retrieved from URL: [https://www.amazon.com/Mini-Pakr-Cushion-Machine-14aL/dp/B01GQPIG4Y/ref=sr\\_1\\_25?ie=UTF8&qid=1527009560&sr=8-25&keywords=air+cushion+machine](https://www.amazon.com/Mini-Pakr-Cushion-Machine-14aL/dp/B01GQPIG4Y/ref=sr_1_25?ie=UTF8&qid=1527009560&sr=8-25&keywords=air+cushion+machine) (Year: 2014).\*

\* cited by examiner

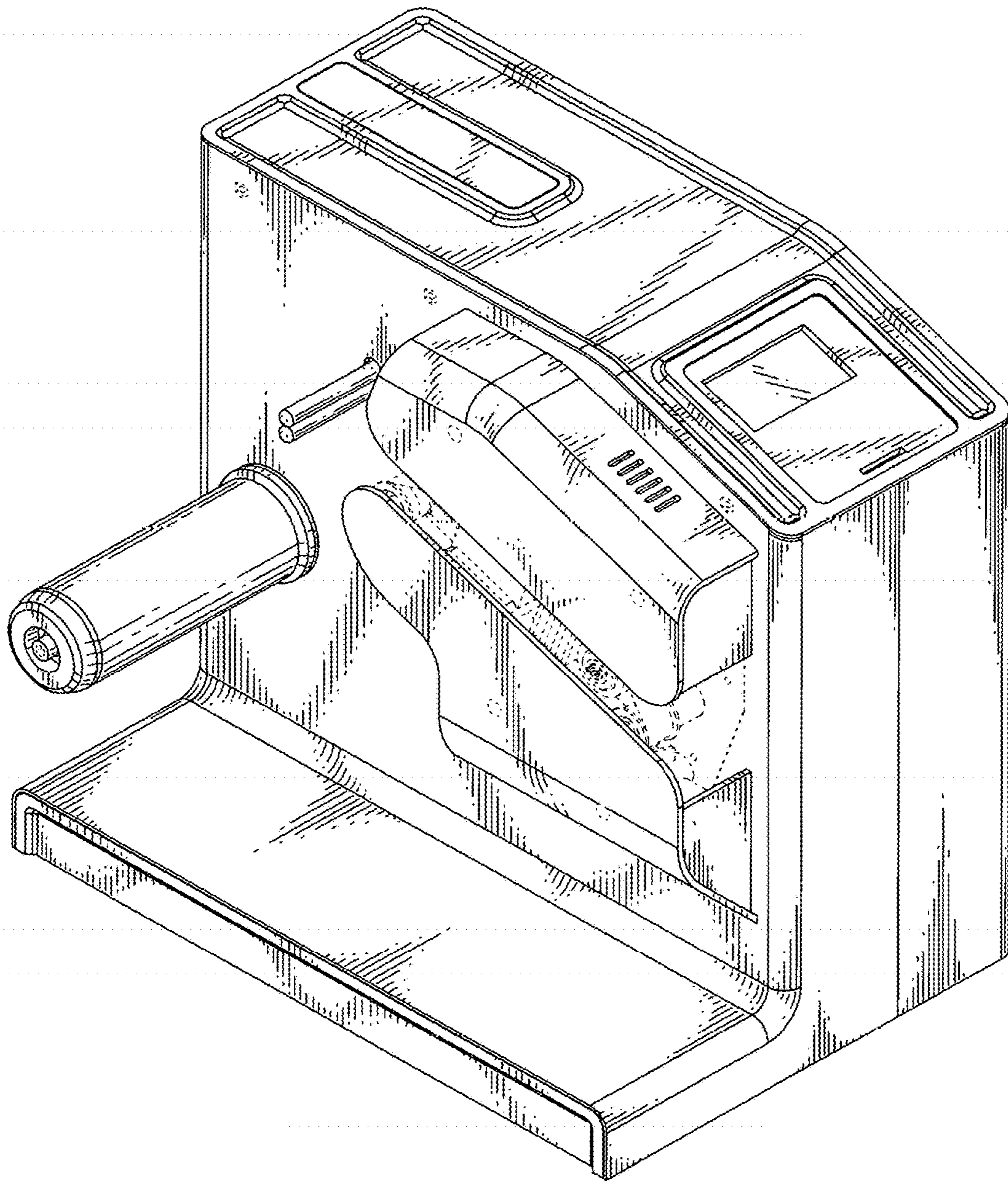


Fig.1

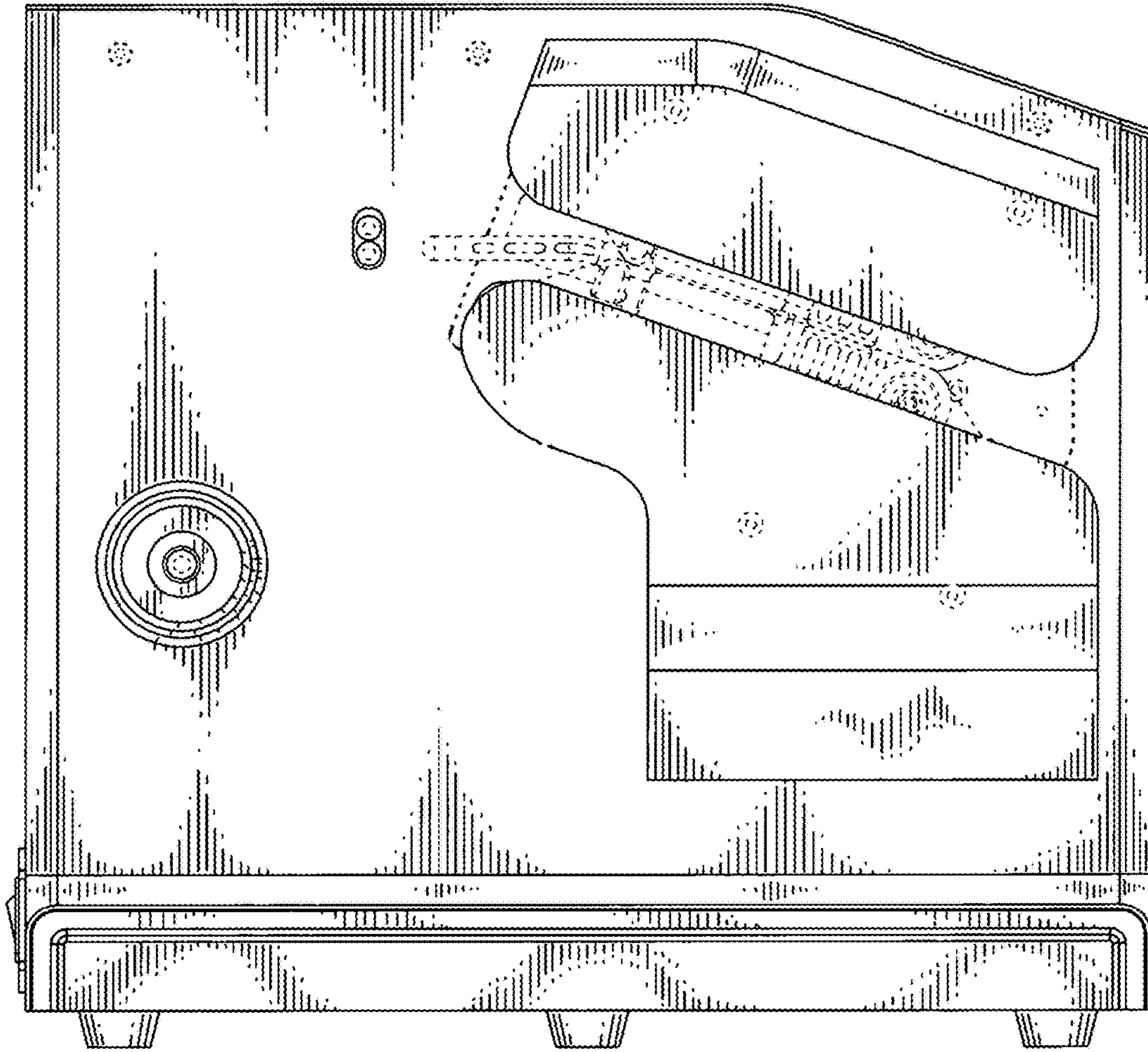


Fig.2

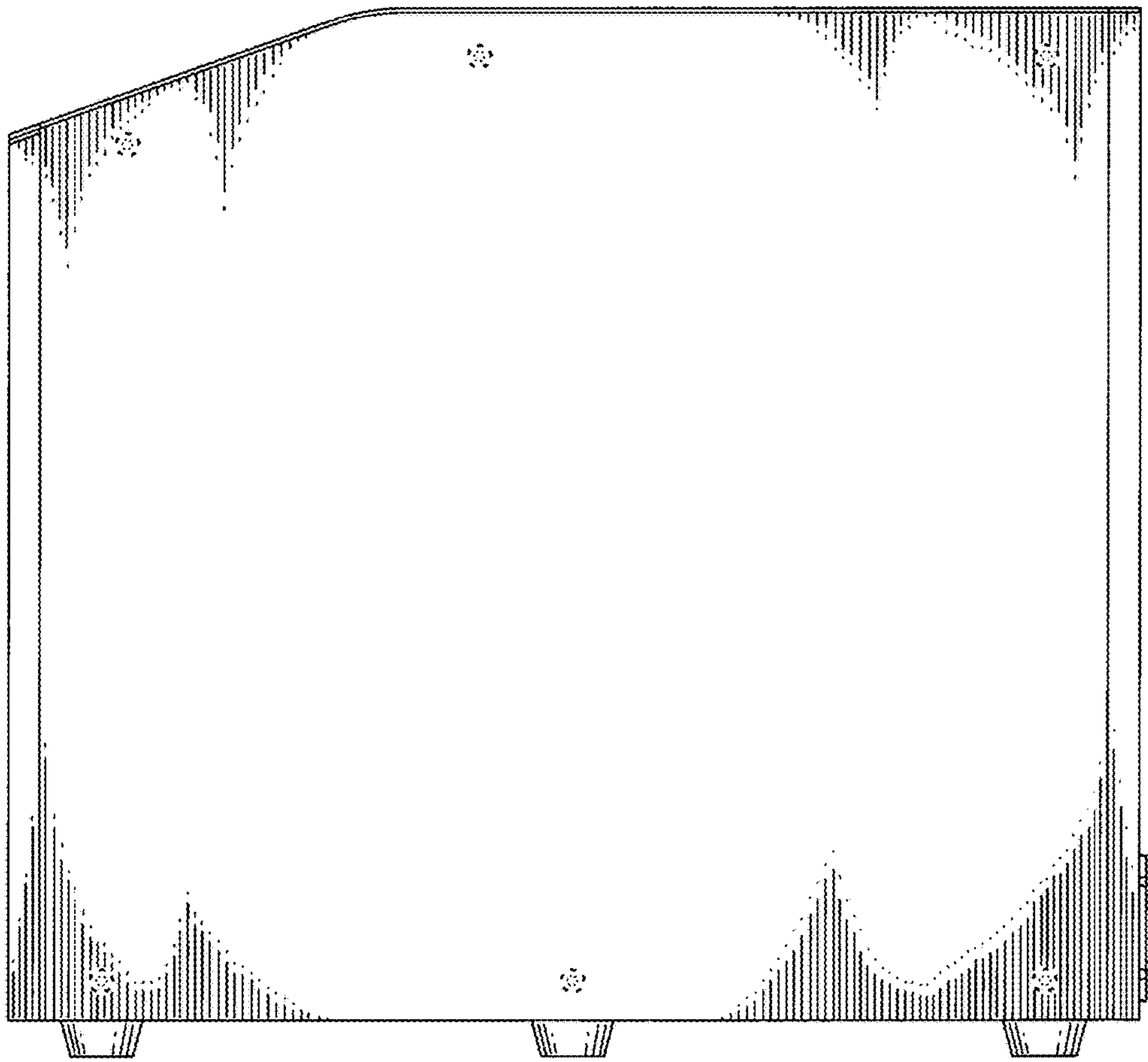


Fig.3

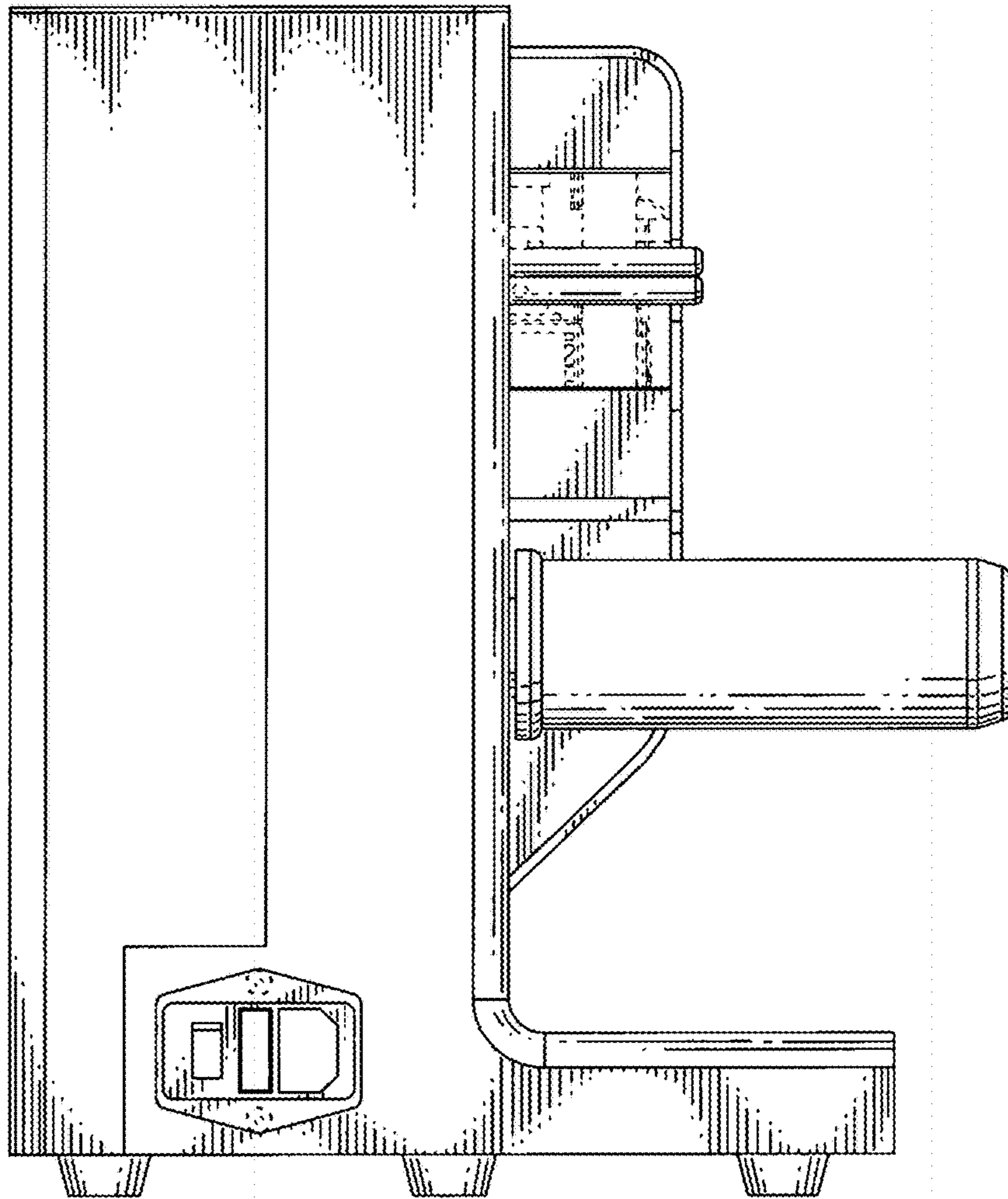


Fig.4

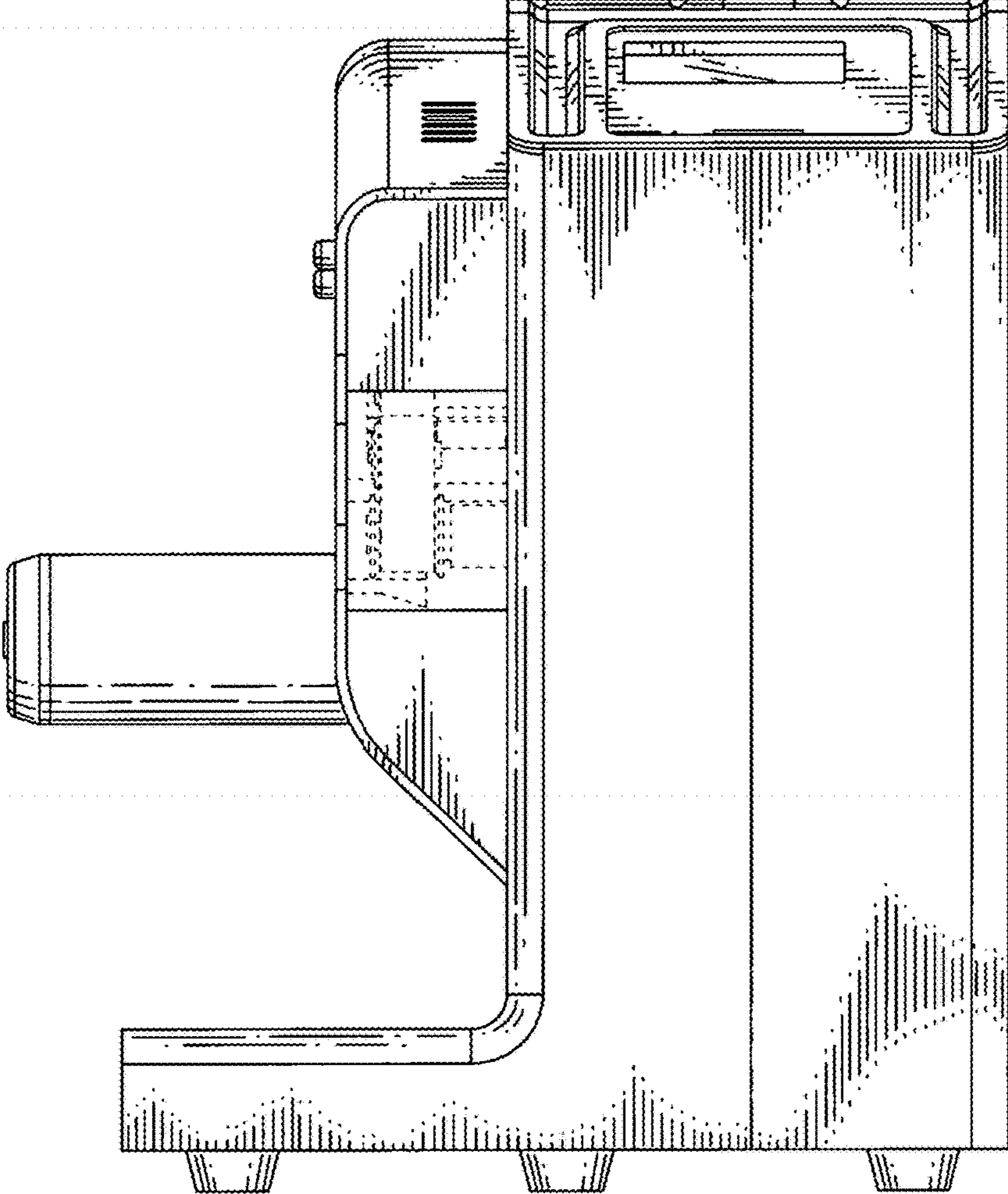


Fig.5

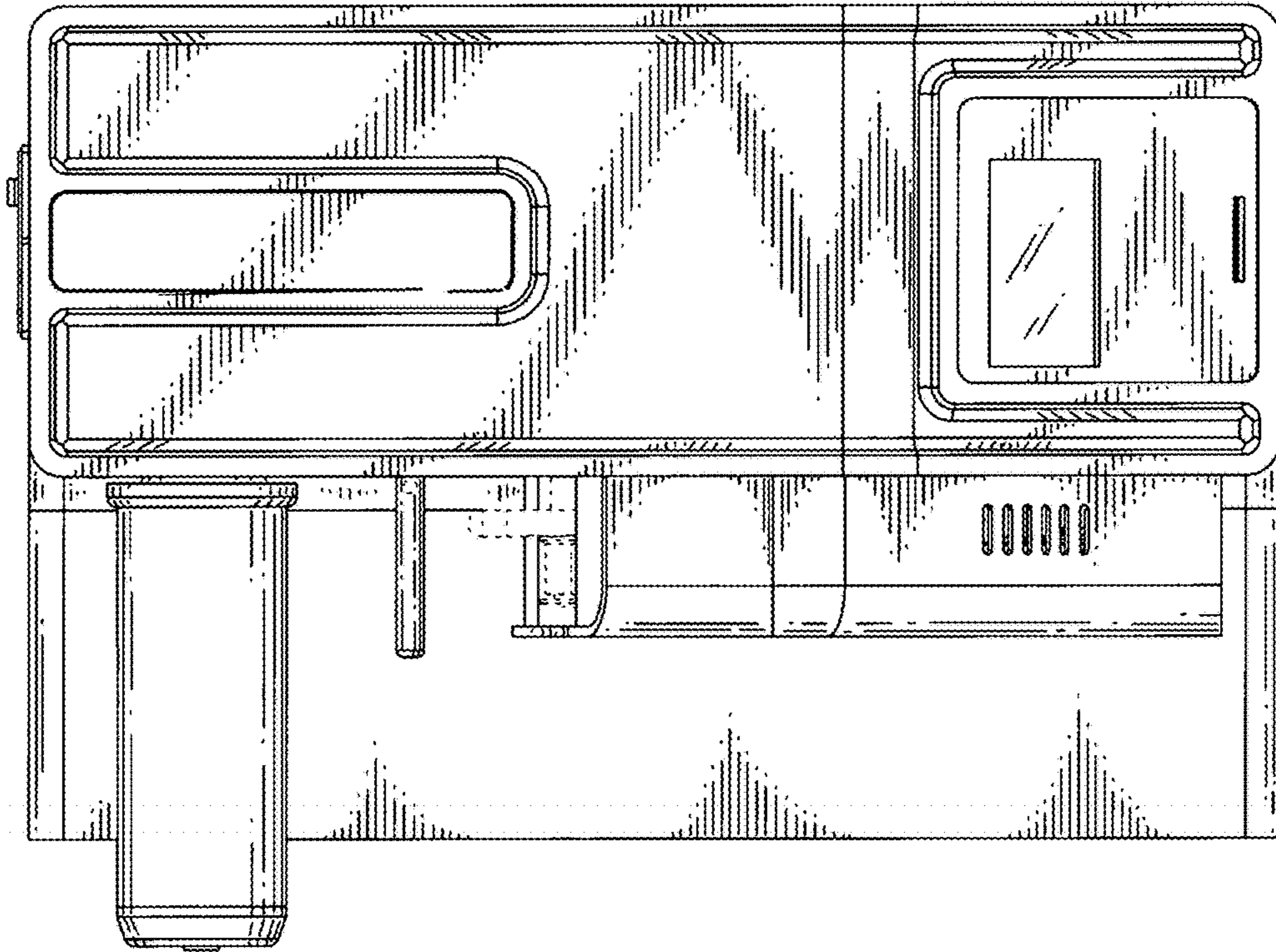


Fig.6



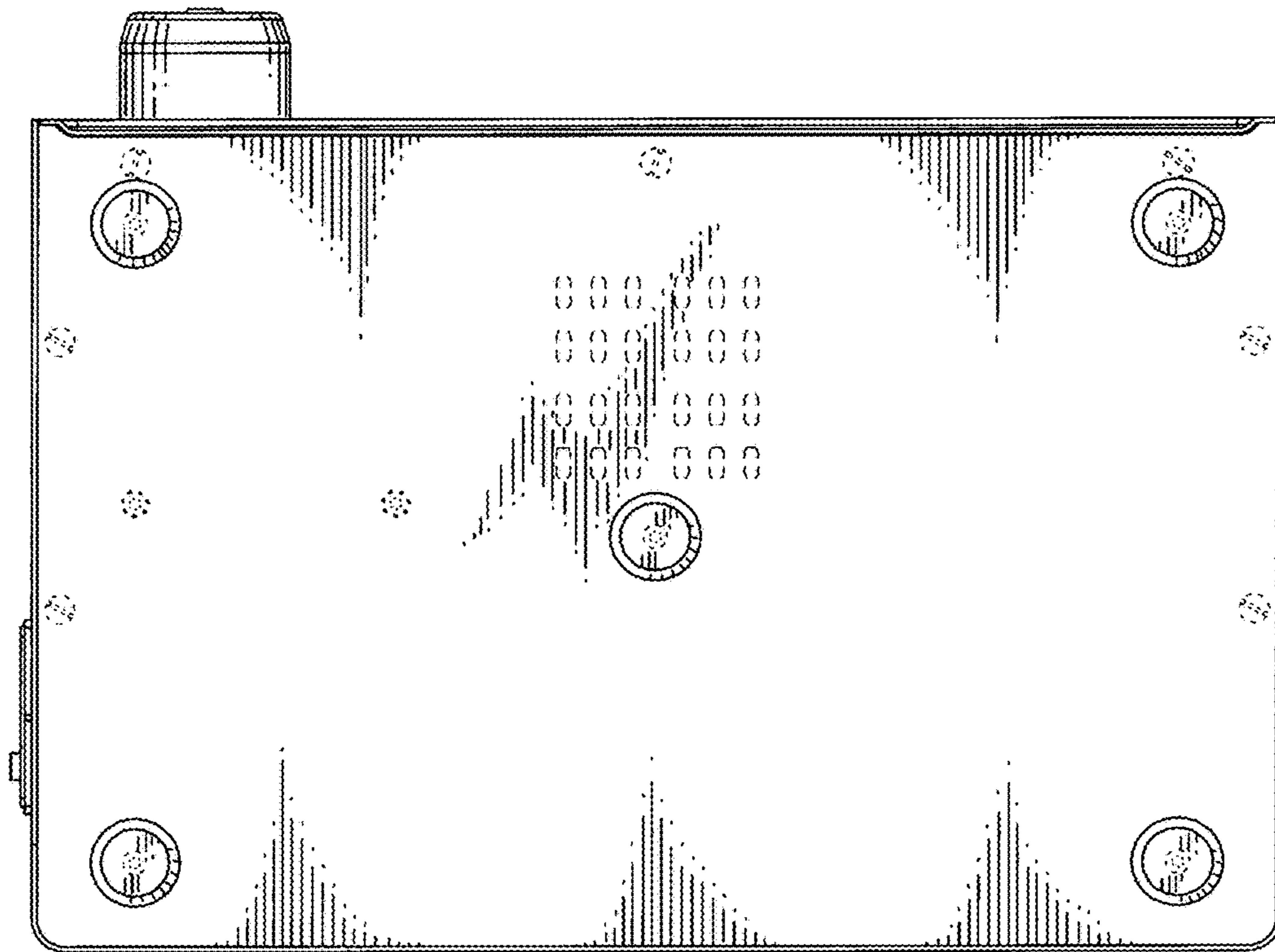


Fig.7