



US00D842350S

(12) **United States Design Patent**  
**Orikawa**

(10) **Patent No.:** **US D842,350 S**  
(45) **Date of Patent:** **\*\* Mar. 5, 2019**

(54) **SUPPORTING DEVICE FOR CLAMPING MECHANISM**

(71) Applicant: **NAGAKI SEIKI CO., LTD.**, Daito-shi, Osaka (JP)

(72) Inventor: **Tomohiro Orikawa**, Aomori (JP)

(73) Assignee: **NAGAKI SEIKI CO., LTD.**, Daito-Shi, Osaka (JP)

(\*\*) Term: **15 Years**

(21) Appl. No.: **29/621,059**

(22) Filed: **Oct. 4, 2017**

(30) **Foreign Application Priority Data**

Apr. 7, 2017 (JP) ..... 2017-007478

(51) **LOC (11) Cl.** ..... **15-09**

(52) **U.S. Cl.**  
USPC ..... **D15/138**

(58) **Field of Classification Search**  
CPC ..... B23D 47/04; B23Q 1/74; B23Q 3/002;  
Y10T 83/758; Y10T 83/7533; Y10T  
83/7697

See application file for complete search history.

(56) **References Cited**

**U.S. PATENT DOCUMENTS**

- 1,418,837 A \* 6/1922 Sears ..... B23Q 1/265  
408/236
- 1,461,666 A \* 7/1923 Larsh ..... B23Q 1/28  
408/124
- 1,494,659 A \* 5/1924 Woodward ..... B23K 37/0435  
219/161
- 1,521,329 A \* 12/1924 Sears ..... B23Q 1/30  
409/343

- 1,536,727 A \* 5/1925 Randolph ..... B23Q 1/28  
408/236
- 1,961,885 A \* 6/1934 Laganas ..... A43D 25/06  
12/33
- 1,975,581 A \* 10/1934 Klein ..... B23K 37/0435  
219/161
- 1,981,596 A \* 11/1934 Jackson ..... B22C 9/062  
164/384
- 2,002,446 A \* 5/1935 Carlton ..... B23Q 1/28  
408/236
- 2,034,741 A \* 3/1936 Brandt ..... A43D 67/00  
12/125
- 2,132,861 A \* 10/1938 Perazzoli ..... E01B 31/175  
451/298
- 2,380,055 A \* 7/1945 Linden ..... B23Q 1/28  
188/72.7
- 2,381,657 A \* 8/1945 Eksergian ..... B21J 13/10  
269/25
- 2,634,134 A \* 4/1953 Dietz ..... G11B 17/0284  
369/270.1

(Continued)

*Primary Examiner* — Patricia A Palasik

(74) *Attorney, Agent, or Firm* — Rabin & Berdo, P.C.

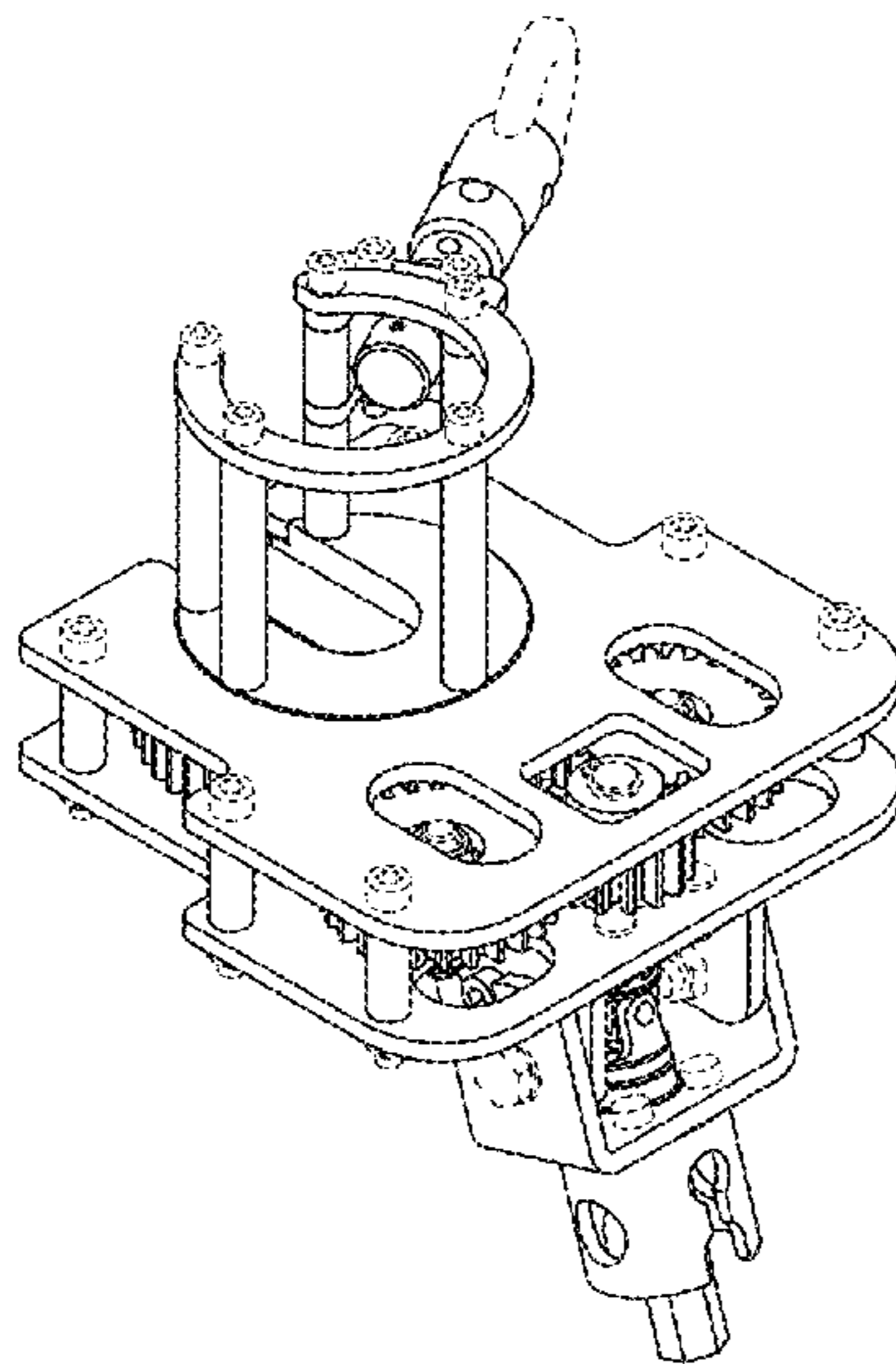
(57) **CLAIM**

The ornamental design for a supporting device for clamping mechanism, as shown and described.

**DESCRIPTION**

FIG. 1 is a front view of the supporting device for clamping mechanism;  
FIG. 2 is a rear view thereof;  
FIG. 3 is a top view thereof;  
FIG. 4 is a bottom view thereof;  
FIG. 5 is a right side view thereof;  
FIG. 6 is a left side view thereof; and,  
FIG. 7 is a perspective view thereof.  
The broken lines in the drawings depict unclaimed environmental subject matter.

**1 Claim, 4 Drawing Sheets**



(56)

References Cited

U.S. PATENT DOCUMENTS

2,656,760 A \* 10/1953 Bowerman ..... G02B 21/24  
16/70  
2,682,933 A \* 7/1954 Hoelscher ..... B23Q 1/28  
188/75  
2,694,820 A \* 11/1954 Fitzgerald ..... A43D 87/00  
12/86.65  
2,702,055 A \* 2/1955 Lundgren ..... D03D 47/125  
139/263  
3,604,668 A \* 9/1971 Bernhardt ..... B23Q 1/28  
248/229.11  
3,765,812 A \* 10/1973 Sugiyama ..... B29C 43/00  
425/150  
3,837,606 A \* 9/1974 Hikai ..... B63C 5/02  
248/242  
3,974,565 A \* 8/1976 Ellis ..... B23D 45/14  
30/376  
3,983,945 A \* 10/1976 Hart ..... E02F 3/80  
172/795  
4,017,236 A \* 4/1977 Penkman ..... B29C 45/6714  
425/150  
D252,609 S \* 8/1979 Wolkert ..... D8/14  
4,499,933 A \* 2/1985 Thompson ..... B23Q 3/002  
144/135.2  
4,652,363 A \* 3/1987 Miller ..... B04C 5/02  
209/734  
5,191,822 A \* 3/1993 Borzym ..... B23D 33/02  
269/164  
5,249,769 A \* 10/1993 Griek ..... E04G 21/3214  
182/113  
5,644,964 A \* 7/1997 Price ..... B23D 47/04  
144/243  
D415,181 S \* 10/1999 Rogers ..... D15/147  
D415,507 S \* 10/1999 Rogers ..... D15/147

D424,302 S \* 5/2000 Price, Jr. .... D3/328  
D426,066 S \* 6/2000 Price, Jr. .... D3/328  
6,244,147 B1 \* 6/2001 Pierce ..... B23D 45/12  
83/100  
D464,067 S \* 10/2002 Rogers ..... D15/147  
6,575,213 B1 \* 6/2003 Houk ..... B23Q 1/74  
144/287  
7,255,790 B2 \* 8/2007 Rogers ..... B04C 5/12  
209/715  
7,404,491 B2 \* 7/2008 Hakola ..... B01D 45/12  
209/715  
7,794,515 B2 \* 9/2010 Oh ..... A47L 9/1625  
15/352  
D736,585 S \* 8/2015 Furey ..... D8/72  
D736,586 S \* 8/2015 Fukui ..... D8/72  
D827,405 S \* 9/2018 Chun ..... D8/72  
2006/0065805 A1 \* 3/2006 Barton ..... B25B 5/101  
248/317  
2009/0126546 A1 \* 5/2009 Chiang ..... B26D 1/185  
83/614  
2011/0167975 A1 \* 7/2011 Boudreault ..... B23D 45/12  
83/100  
2012/0235337 A1 \* 9/2012 Xu ..... B25B 5/06  
269/254 R  
2013/0221594 A1 \* 8/2013 Wen ..... B25B 5/08  
269/233  
2014/0117605 A1 \* 5/2014 Chen ..... B23Q 1/0081  
269/165  
2015/0015015 A1 \* 1/2015 Li ..... B23Q 3/18  
294/192  
2015/0021948 A1 \* 1/2015 Xiao ..... F16H 19/005  
294/198  
2016/0304223 A1 \* 10/2016 Xie ..... B65B 27/08  
2017/0080538 A1 \* 3/2017 Belotti ..... B23Q 3/002  
2017/0291235 A1 \* 10/2017 Drake, Jr. .... B23D 47/04

\* cited by examiner

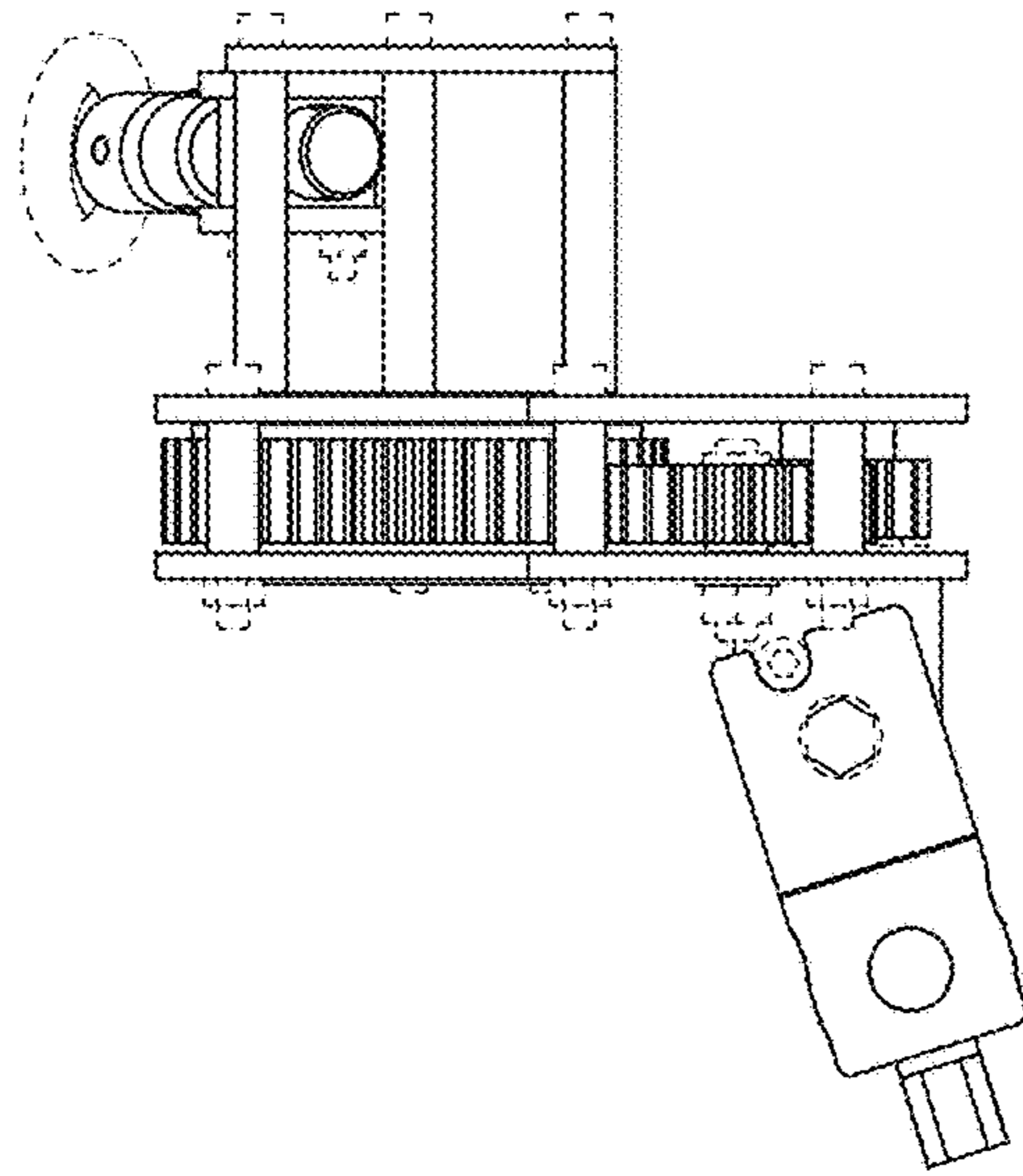


FIG. 1

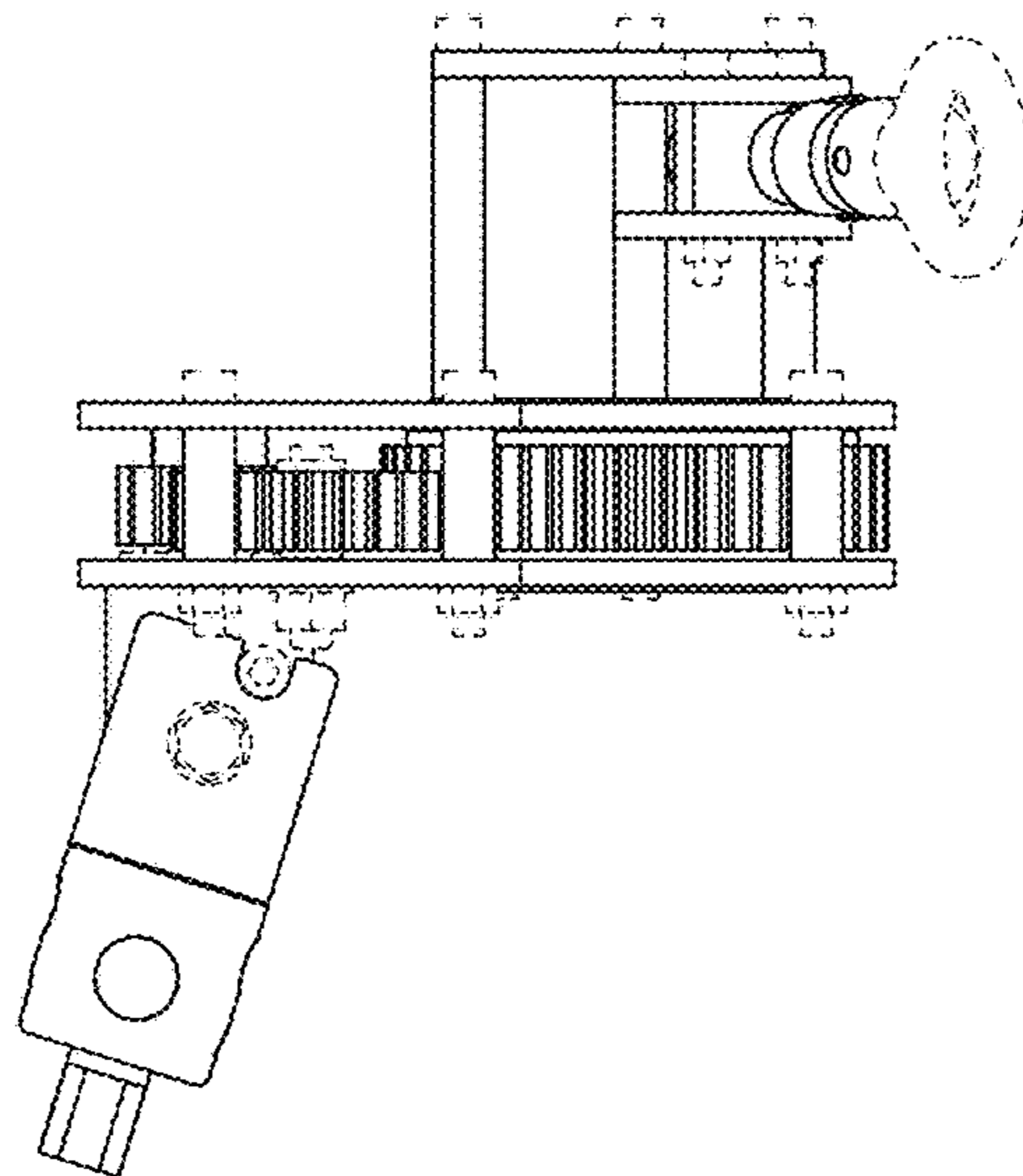


FIG. 2

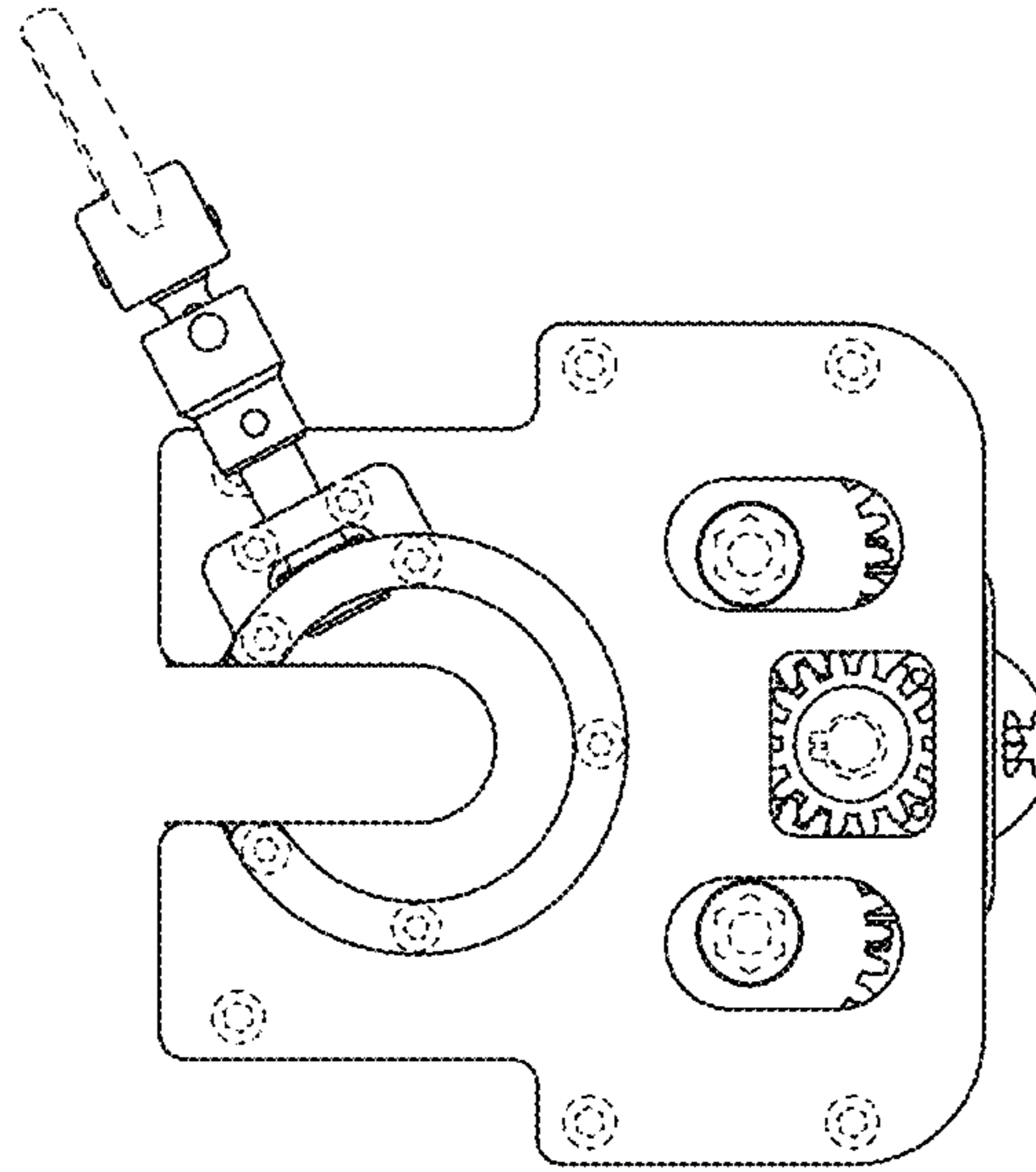


FIG. 3

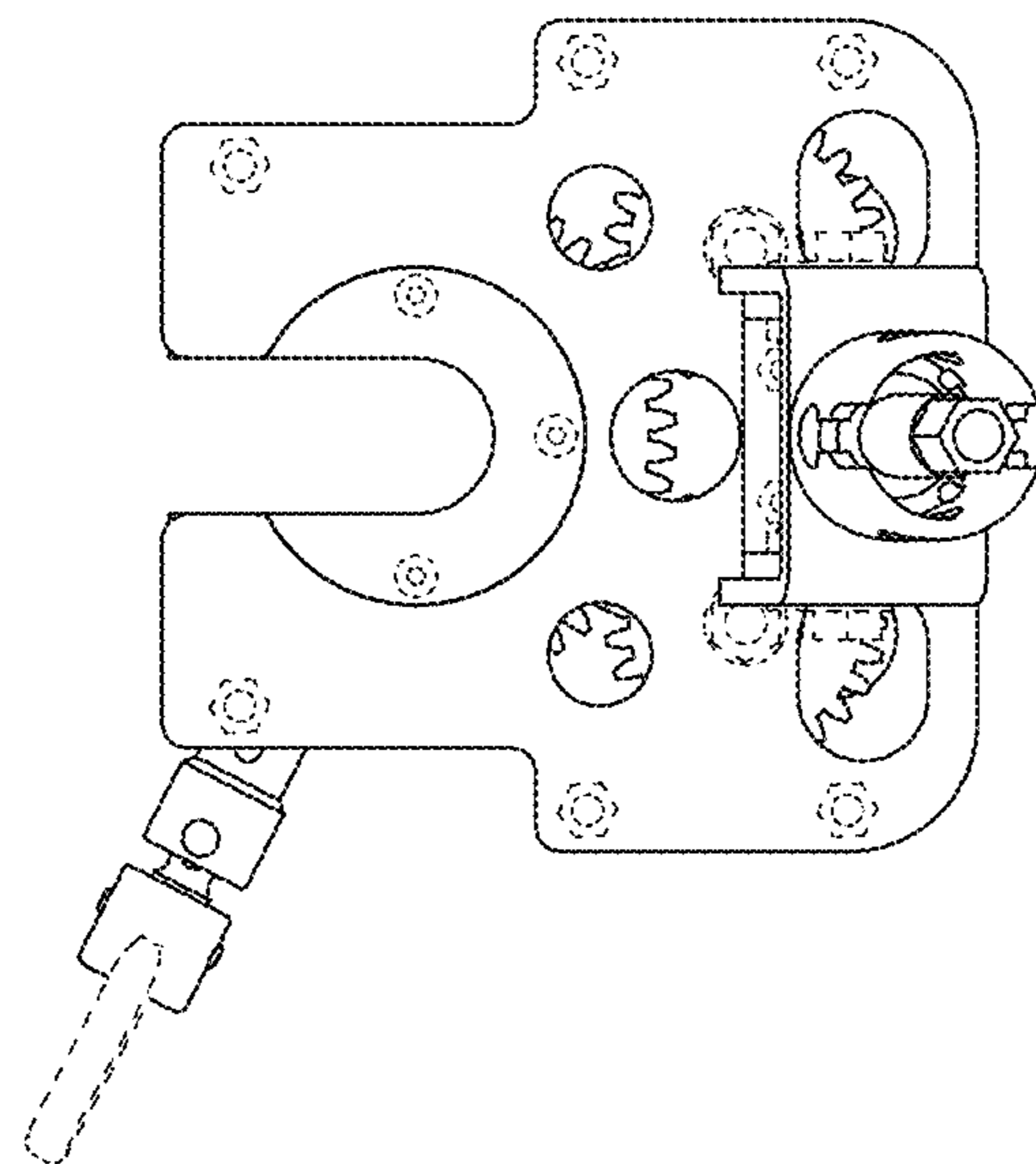


FIG. 4

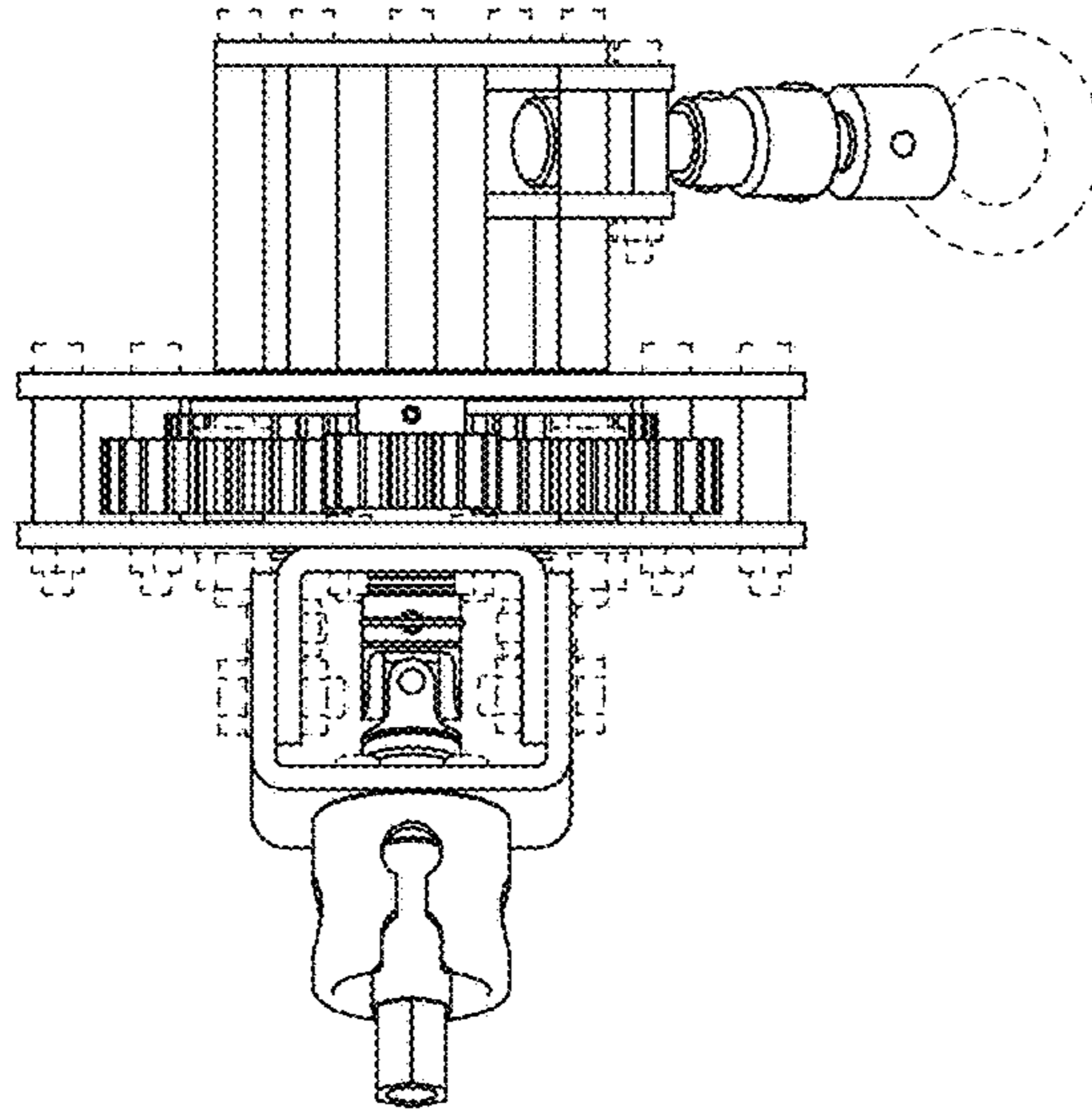


FIG. 5

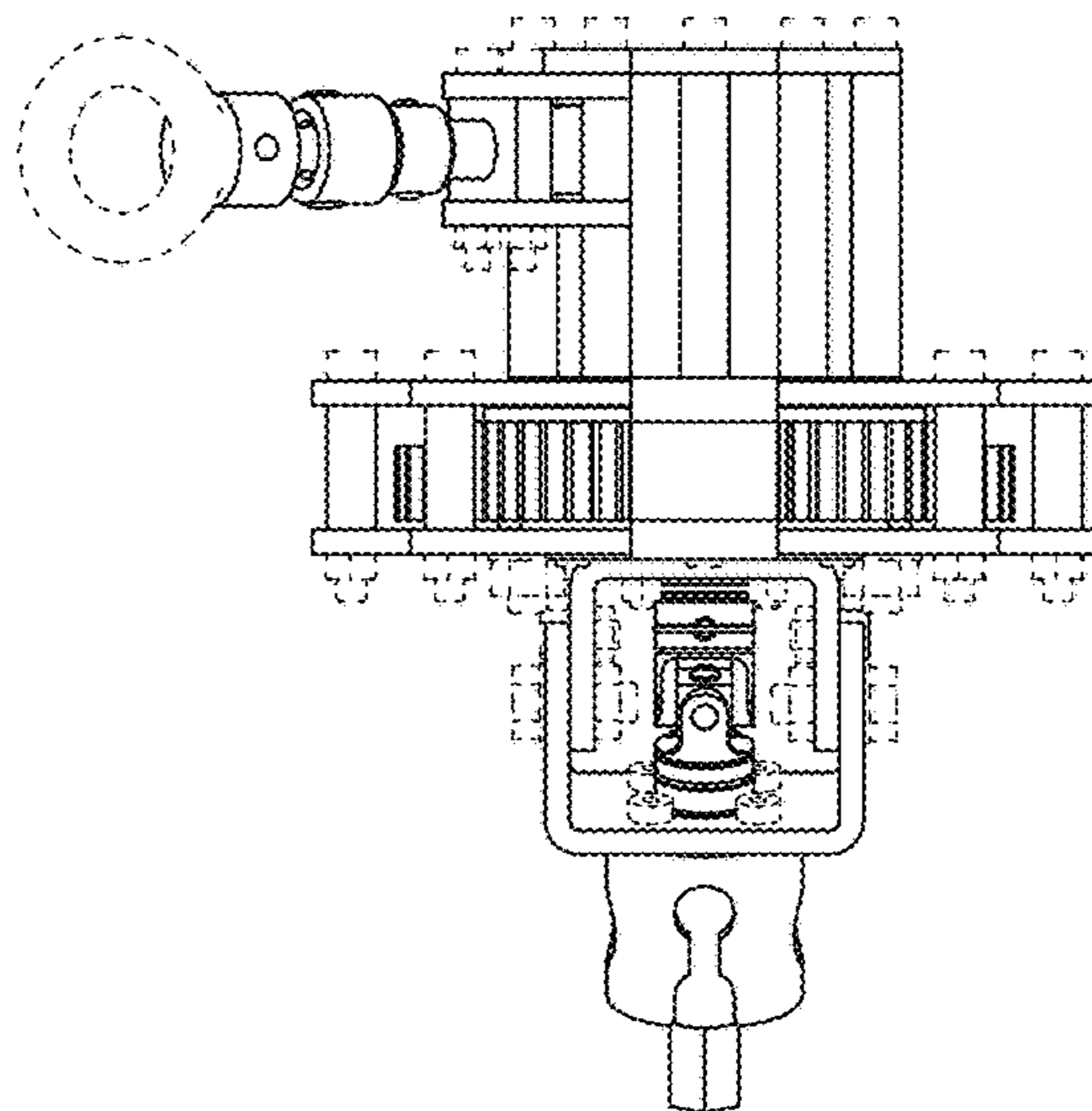


FIG. 6

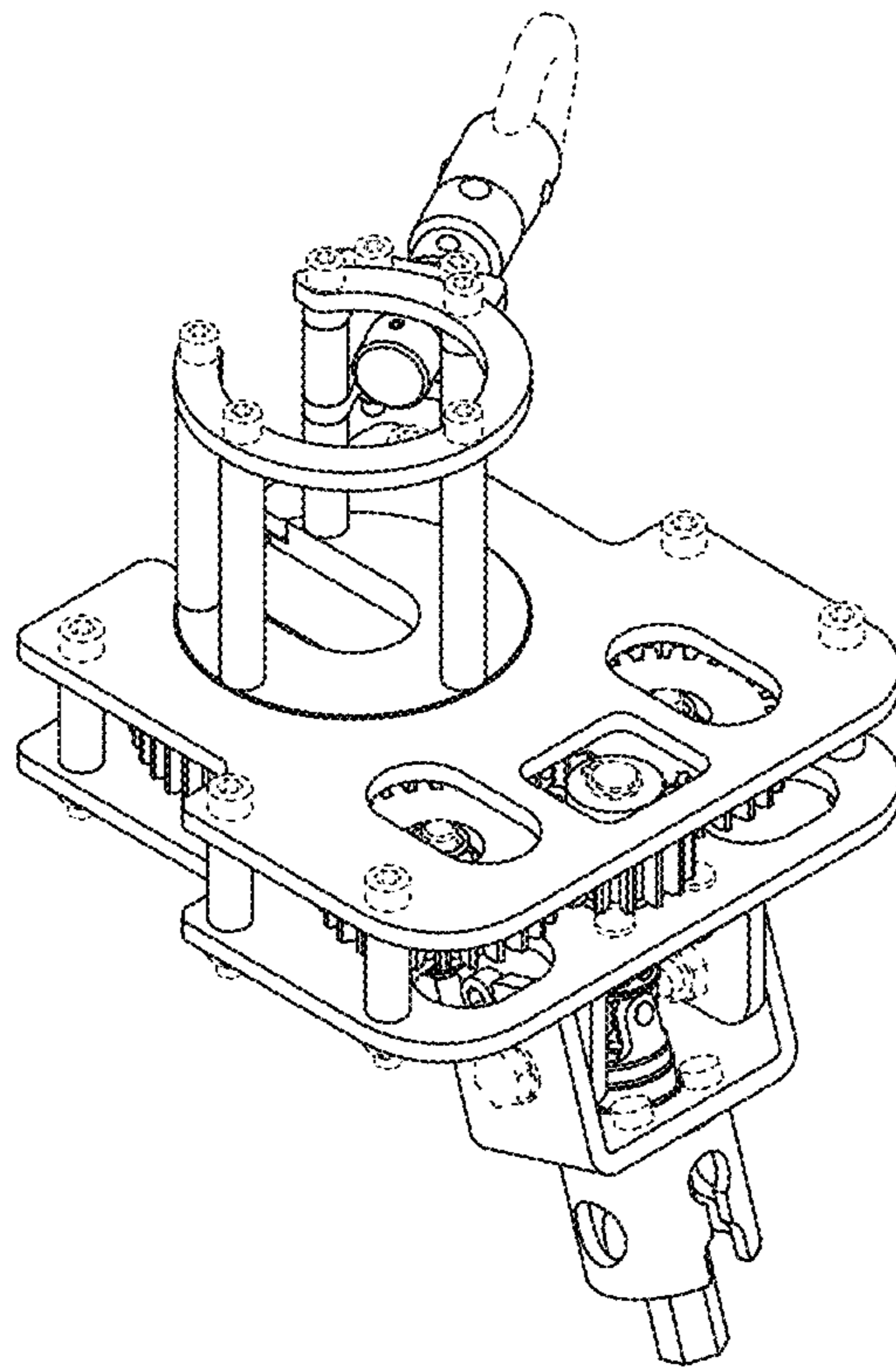


FIG. 7