



US00D842347S

(12) **United States Design Patent**
Bjerke et al.

(10) **Patent No.:** **US D842,347 S**
(45) **Date of Patent:** **** Mar. 5, 2019**

(54) **SHROUD FOR A GROUND ENGAGING MACHINE IMPLEMENT**

4,047,312 A 9/1977 Stepe
D251,431 S 3/1979 Klett et al.
4,231,173 A * 11/1980 Davis E02F 9/2825
172/762

(71) Applicant: **Caterpillar Inc.**, Peoria, IL (US)

4,980,980 A 1/1991 Schadov et al.
(Continued)

(72) Inventors: **Nathan Bjerke**, Peoria, IL (US);
Thomas Marshall Congdon, Dunlap, IL (US)

FOREIGN PATENT DOCUMENTS

(73) Assignee: **Caterpillar Inc.**, Deerfield, IL (US)

AU 139678 7/1999
AU 143089 7/2000
(Continued)

(**) Term: **15 Years**

OTHER PUBLICATIONS

(21) Appl. No.: **29/621,766**

U.S. Appl. No. 15/215,622, filed Jul. 21, 2016. (Unpublished).
(Continued)

(22) Filed: **Oct. 11, 2017**

(51) **LOC (11) Cl.** **15-03**

(52) **U.S. Cl.**

USPC **D15/29**; D15/28

(58) **Field of Classification Search**

USPC D15/11, 28, 29; 37/456, 452, 450, 446,
37/454, 449, 453, 455, 903; 403/379.5,
403/DIG. 1; 111/152; 172/724, 730,
172/766, 770, 771, 721, 713, 699, 772
CPC Y10T 29/49826; Y10T 403/589; Y10T
403/7018; Y10T 403/7075; E02F 9/28;
E02F 9/2825; E02F 9/2833; E02F 9/2866;
E02F 9/2858; E02F 9/2808; E02F 9/2841
See application file for complete search history.

Primary Examiner — Mark A Goodwin

(74) *Attorney, Agent, or Firm* — Saidman Design Law Group

(57)

CLAIM

The ornamental design for a shroud for a ground engaging machine implement, as shown and described.

DESCRIPTION

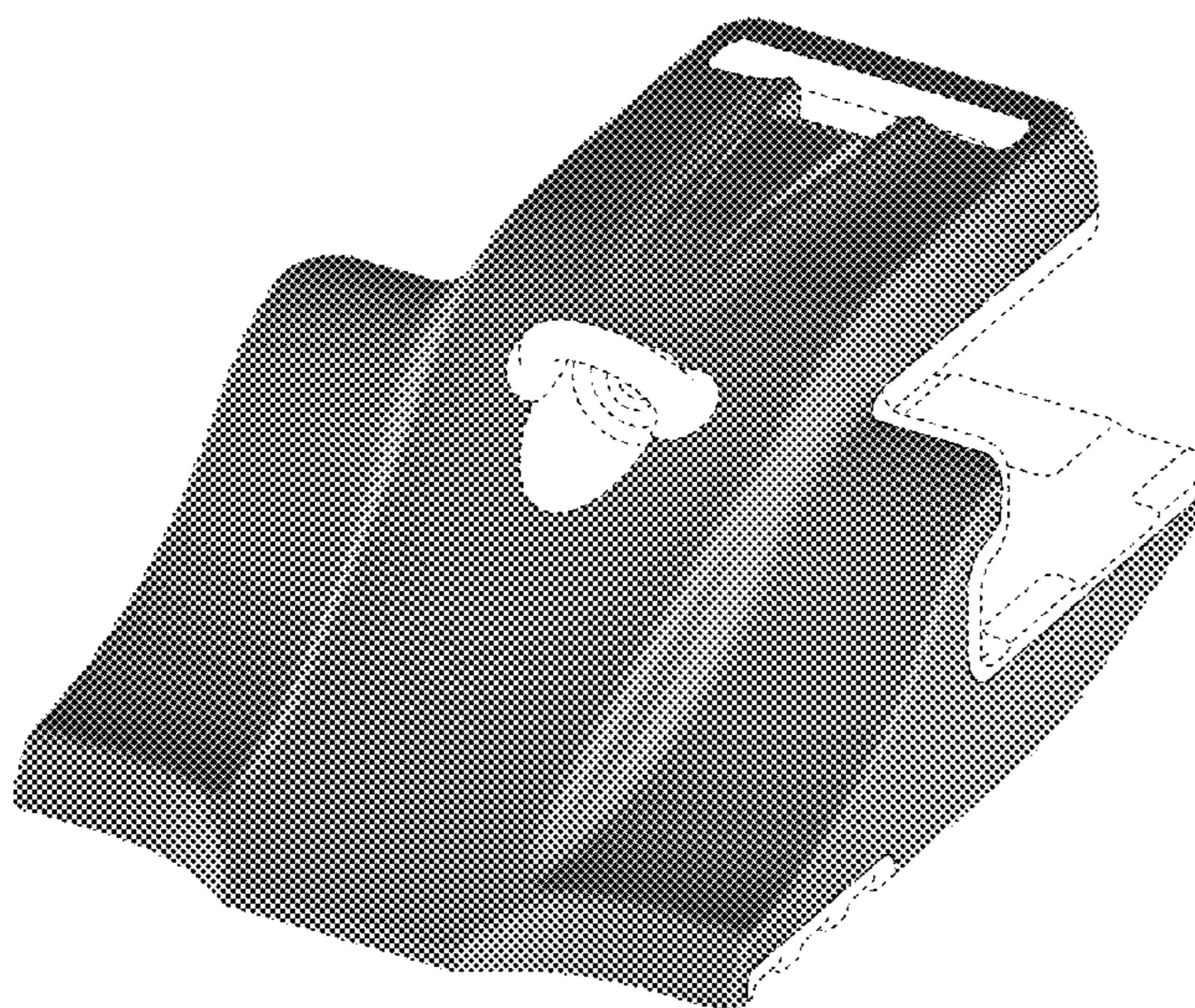
FIG. 1 is a front perspective view of a shroud for a ground engaging machine implement showing our new design; FIG. 2 is a front view thereof; FIG. 3 is a rear view thereof; FIG. 4 is a left side view thereof; FIG. 5 is a right side view thereof; FIG. 6 is a top view thereof; and, FIG. 7 is a bottom view thereof. Grayscale shading represents contour. The dashed broken lines illustrate structures or features which form no part of the claimed design. The dot-dash broken lines illustrate boundaries which form no part of the claimed design.

(56) **References Cited**

U.S. PATENT DOCUMENTS

1,959,847 A 5/1934 Buskirk
2,256,488 A 9/1941 Murtaugh
3,079,710 A 3/1963 Larsen et al.
3,653,133 A 4/1972 Black et al.
3,664,044 A 5/1972 Hahn
D241,264 S 8/1976 Dahlberg et al.
D242,274 S 11/1976 Dahlberg et al.
D245,780 S 9/1977 Dahlberg et al.

1 Claim, 5 Drawing Sheets



(56)

References Cited

U.S. PATENT DOCUMENTS

5,016,365 A 5/1991 Robinson
 5,088,214 A 2/1992 Jones
 D336,476 S 6/1993 Garman
 D365,577 S * 12/1995 Ruvang D15/29
 5,515,625 A 5/1996 Keigley
 5,553,409 A 9/1996 Irving
 D378,006 S 2/1997 Clendenning
 D381,484 S 7/1997 Clendenning
 5,709,043 A 1/1998 Jones et al.
 5,765,301 A 6/1998 Clendenning
 D406,153 S 2/1999 Holzer et al.
 D417,877 S 12/1999 Launder et al.
 6,047,487 A 4/2000 Clendenning
 6,230,424 B1 5/2001 Renski et al.
 6,385,871 B1 5/2002 Quarfordt
 6,457,268 B1 10/2002 Perry et al.
 6,457,269 B1 10/2002 Esterhuysen et al.
 D478,599 S 8/2003 Zaayman et al.
 6,735,891 B2 5/2004 Pallas Moreno et al.
 6,745,503 B1 6/2004 Pallas Moreno et al.
 6,952,892 B1 10/2005 Bierwith
 6,990,760 B1 1/2006 Zaayman et al.
 6,993,861 B2 2/2006 Carpenter et al.
 7,080,470 B2 7/2006 Jones
 D537,846 S 3/2007 Block
 7,219,454 B2 * 5/2007 Maher E02F 9/2833
 172/753
 7,266,914 B2 9/2007 Grant
 D554,157 S 10/2007 Renski
 7,275,338 B2 10/2007 LaHood
 D567,825 S 4/2008 Clendenning et al.
 D567,826 S 4/2008 Clendenning et al.
 D567,827 S 4/2008 Clendenning et al.
 7,367,144 B2 5/2008 Jones et al.
 D576,644 S 9/2008 Clendenning et al.
 D602,505 S 10/2009 Ruvang
 D623,671 S 9/2010 Bolyard
 7,793,444 B2 9/2010 Jones et al.
 D624,943 S * 10/2010 Gibbon D15/29
 D631,490 S 1/2011 Drager et al.
 D643,049 S 8/2011 Nickels et al.
 8,024,874 B2 9/2011 McClanahan et al.
 8,347,530 B2 1/2013 Clendenning et al.
 D676,066 S 2/2013 Attwood et al.
 D678,361 S 3/2013 Attwood et al.
 8,572,870 B2 11/2013 Kudo et al.
 D706,307 S 6/2014 Renski et al.
 D706,312 S 6/2014 Renski et al.
 D706,840 S 6/2014 Renski et al.
 D707,264 S 6/2014 Renski et al.
 8,925,220 B2 1/2015 Stangeland et al.
 D727,367 S 4/2015 Renski et al.
 D727,369 S 4/2015 Renski et al.
 D728,635 S 5/2015 Kunz
 D728,636 S 5/2015 Kunz
 D728,637 S * 5/2015 Kunz D15/28
 D741,375 S 10/2015 Hooijmans
 D741,918 S 10/2015 Hooijmans
 D749,147 S * 2/2016 Kunz D15/28
 9,260,839 B2 2/2016 Kunz
 D751,610 S 3/2016 Serrurier et al.
 9,315,972 B2 4/2016 Anisy et al.
 9,404,240 B2 8/2016 Kunz
 D766,994 S 9/2016 Kunz
 D767,647 S 9/2016 Kunz

D769,946 S 10/2016 Kunz
 9,518,379 B2 12/2016 Kunz
 D779,566 S 2/2017 Cronk
 9,644,348 B2 5/2017 Balan et al.
 D790,601 S * 6/2017 Balan D15/28
 D797,162 S 9/2017 Kunz
 D797,163 S 9/2017 Kunz
 D805,112 S * 12/2017 Serrurier D15/29
 D806,140 S * 12/2017 Serrurier D15/29
 D806,759 S * 1/2018 Serrurier D15/29
 2003/0024139 A1 2/2003 Jones et al.
 2004/0107608 A1 6/2004 Meyers et al.
 2004/0216335 A1 11/2004 Jones
 2006/0117613 A1 6/2006 Jones et al.
 2008/0092413 A1 4/2008 McClanahan et al.
 2009/0282711 A1 * 11/2009 Naher E02F 9/2841
 37/455
 2012/0304508 A1 12/2012 Guimaraes et al.
 2013/0008062 A1 1/2013 Guimaraes et al.
 2013/0185964 A1 7/2013 Anisy et al.
 2013/0318840 A1 12/2013 Ollinger, IV et al.
 2014/0082976 A1 3/2014 Vicq et al.
 2014/0082977 A1 3/2014 Pilon
 2014/0173949 A1 6/2014 Karlsson et al.
 2015/0211215 A1 7/2015 Dallard et al.
 2015/0247306 A1 9/2015 Kunz
 2016/0356024 A1 12/2016 Gandy et al.
 2017/0073938 A1 3/2017 Bjerke et al.

FOREIGN PATENT DOCUMENTS

CL 199502068 10/1996
 CL 199800391 11/1998
 CL 199901193 10/1999
 CL 199900223 11/1999
 CL 199901457 12/1999
 CL 199901583 6/2000
 CL 200501785 7/2005
 CL 200503115 9/2006
 CL 200503116 9/2006
 CL 200800173 8/2008
 CL 200800174 8/2008
 CL 200802524 1/2009
 CL 200801735 5/2009
 CL 200801764 7/2009
 CL 200602263 8/2010
 CL 201000618 11/2010
 CL 201000739 12/2010
 CL 201200732 3/2012
 CL 201200733 3/2012
 CL 201200291 11/2012
 CL 201302335 8/2013
 WO WO 2007/016719 A1 2/2007

OTHER PUBLICATIONS

U.S. Appl. No. 62/148,992, filed Apr. 17, 2015. (Unpublished).
 U.S. Appl. No. 62/149,077, filed Apr. 17, 2015. (Unpublished).
 U.S. Appl. No. 62/149,161, filed Apr. 17, 2015. (Unpublished).
 U.S. Appl. No. 62/149,229, filed Apr. 17, 2015. (Unpublished).
 U.S. Appl. No. 15/622,984, filed Jul. 14, 2017. (Unpublished).
 U.S. Appl. No. 15/622,997, filed Jul. 14, 2017. (Unpublished).
 U.S. Appl. No. 29/611,467, filed Jul. 21, 2017. (Unpublished).
 U.S. Appl. No. 29/615,660, filed Aug. 30, 2017. (Unpublished).
 U.S. Appl. No. 29/621,761, filed Oct. 11, 2017. (Unpublished).

* cited by examiner

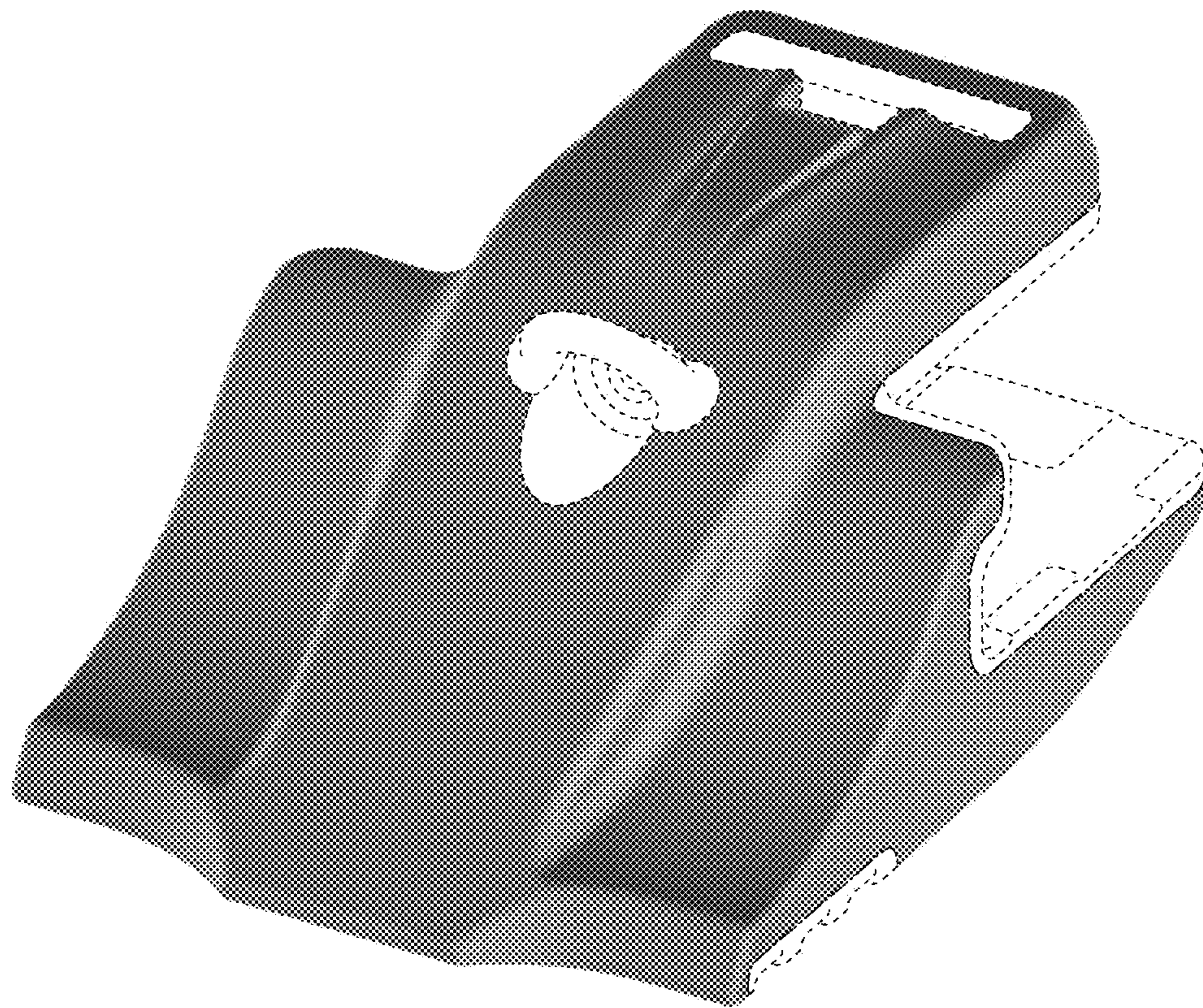


Fig. 1

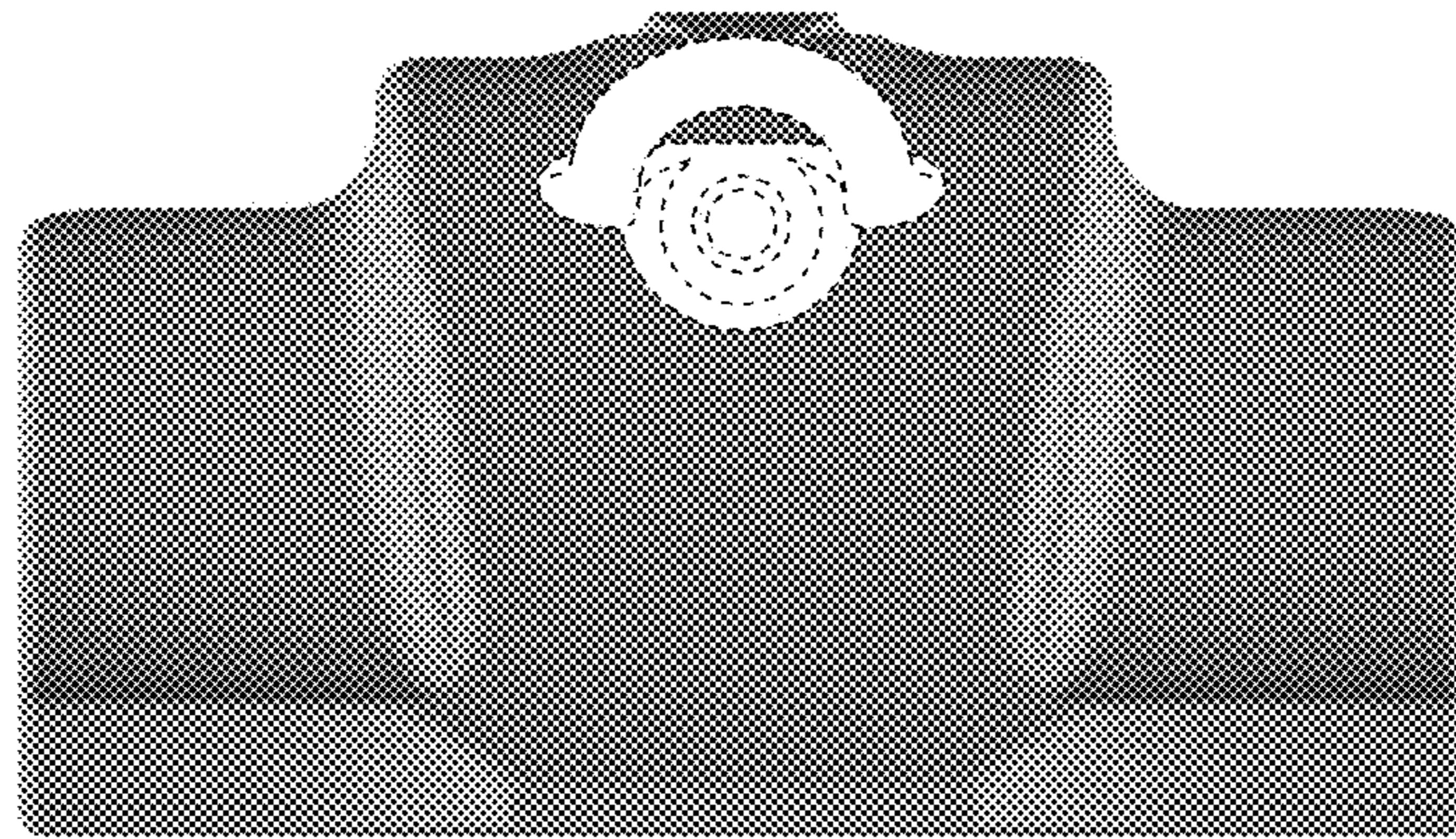


Fig. 2

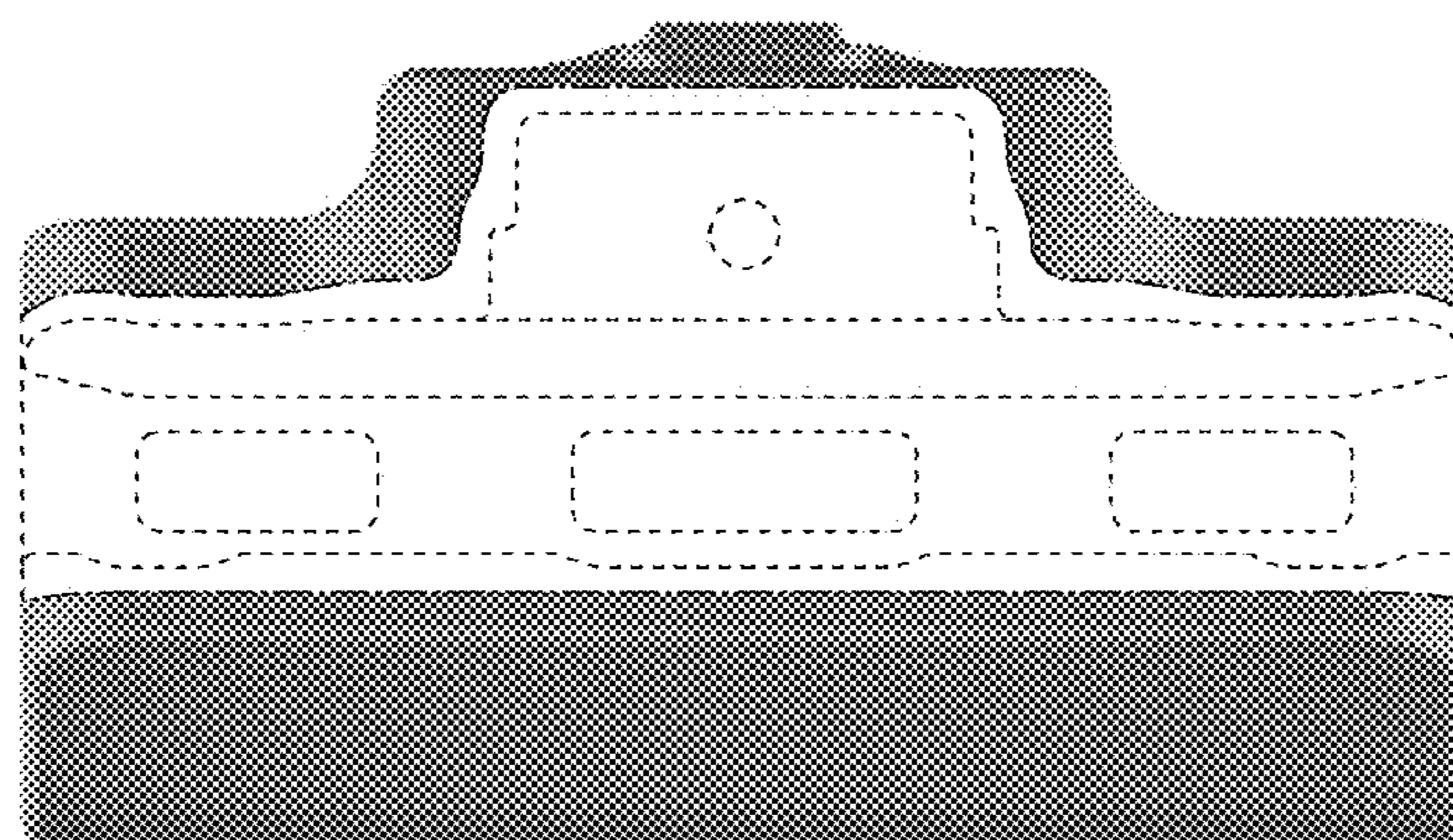


Fig. 3

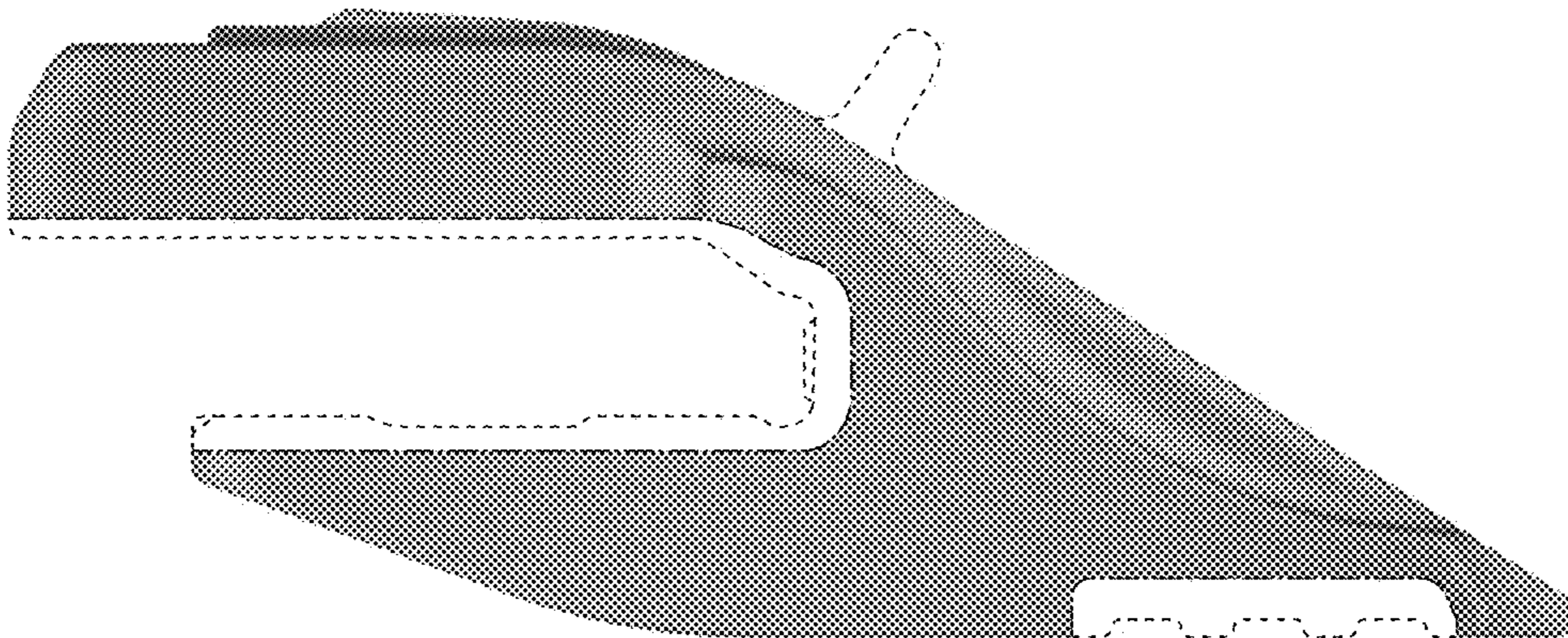


Fig. 4

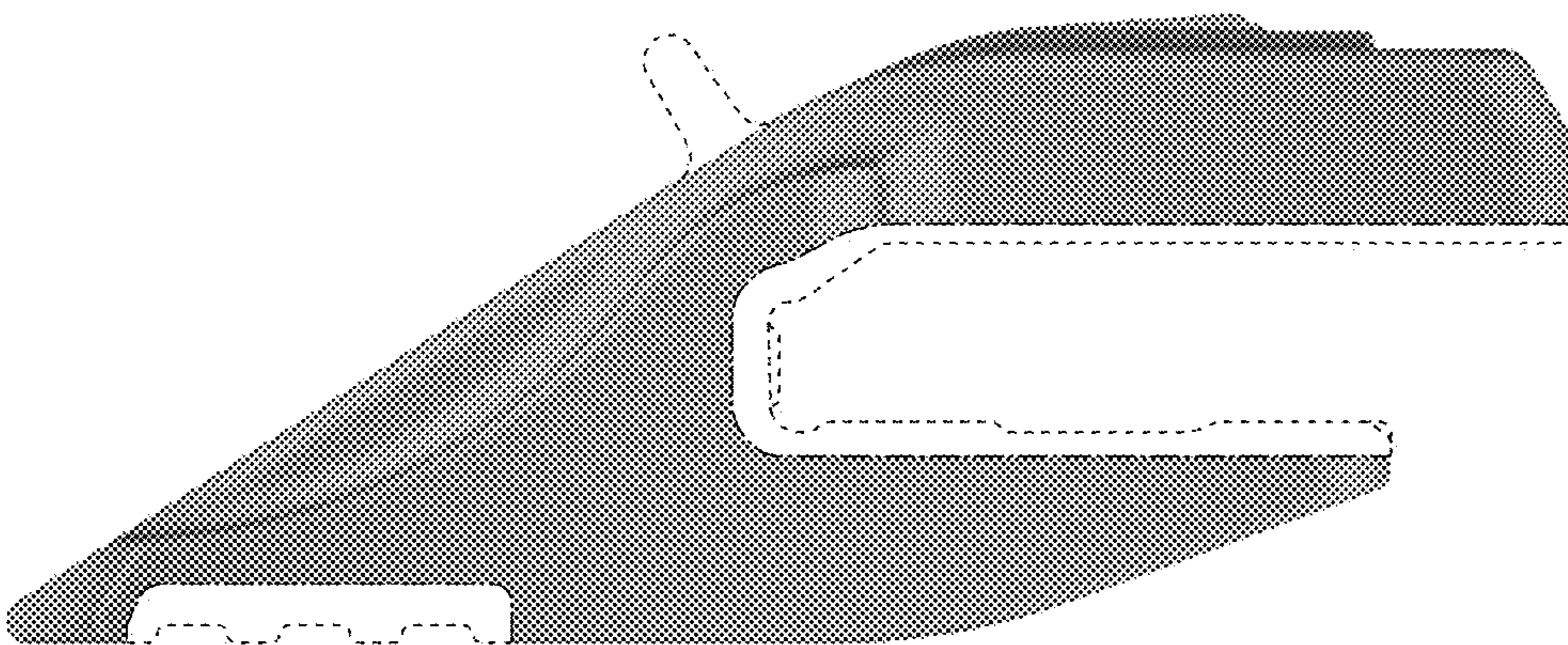


Fig. 5

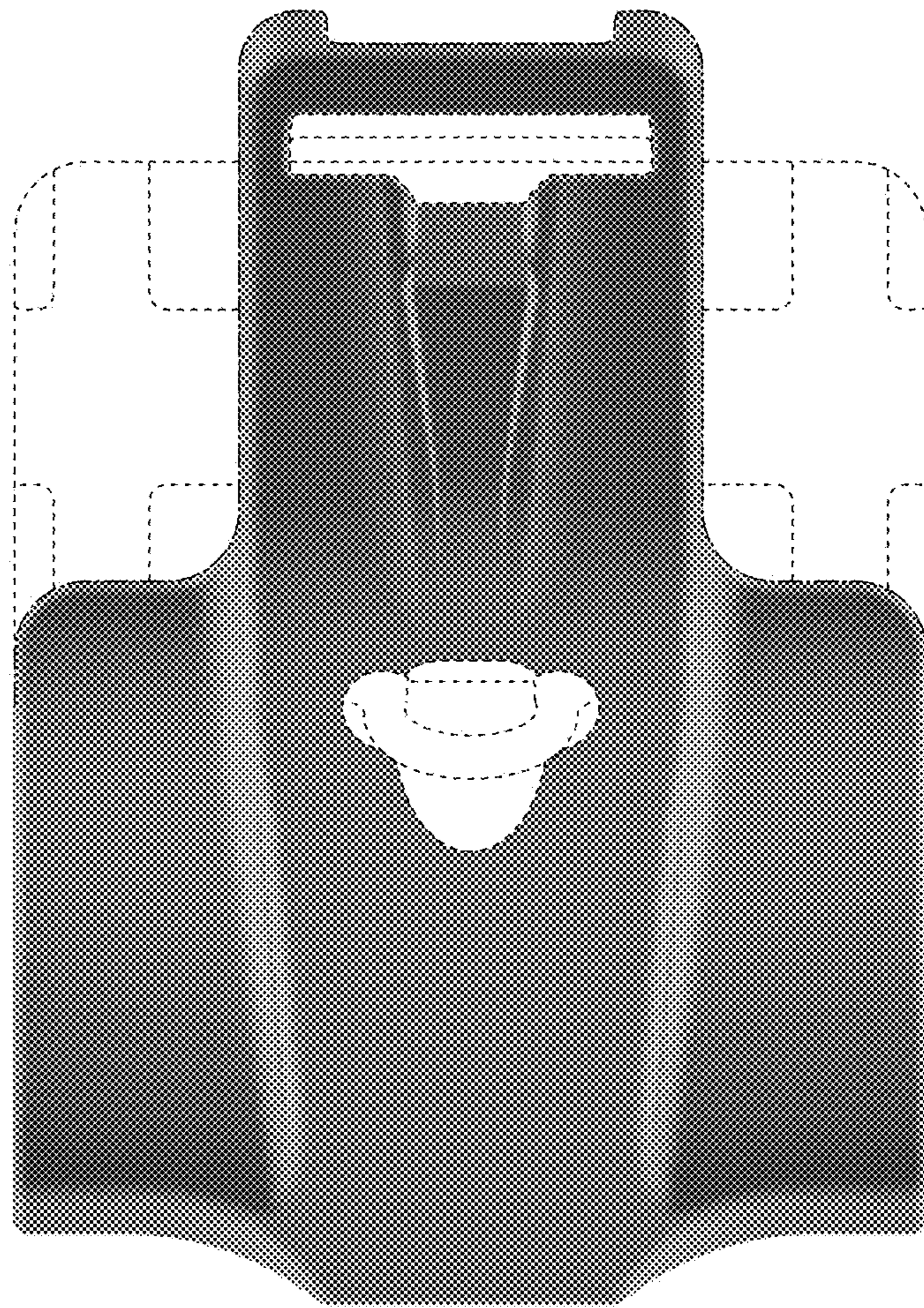


Fig. 6

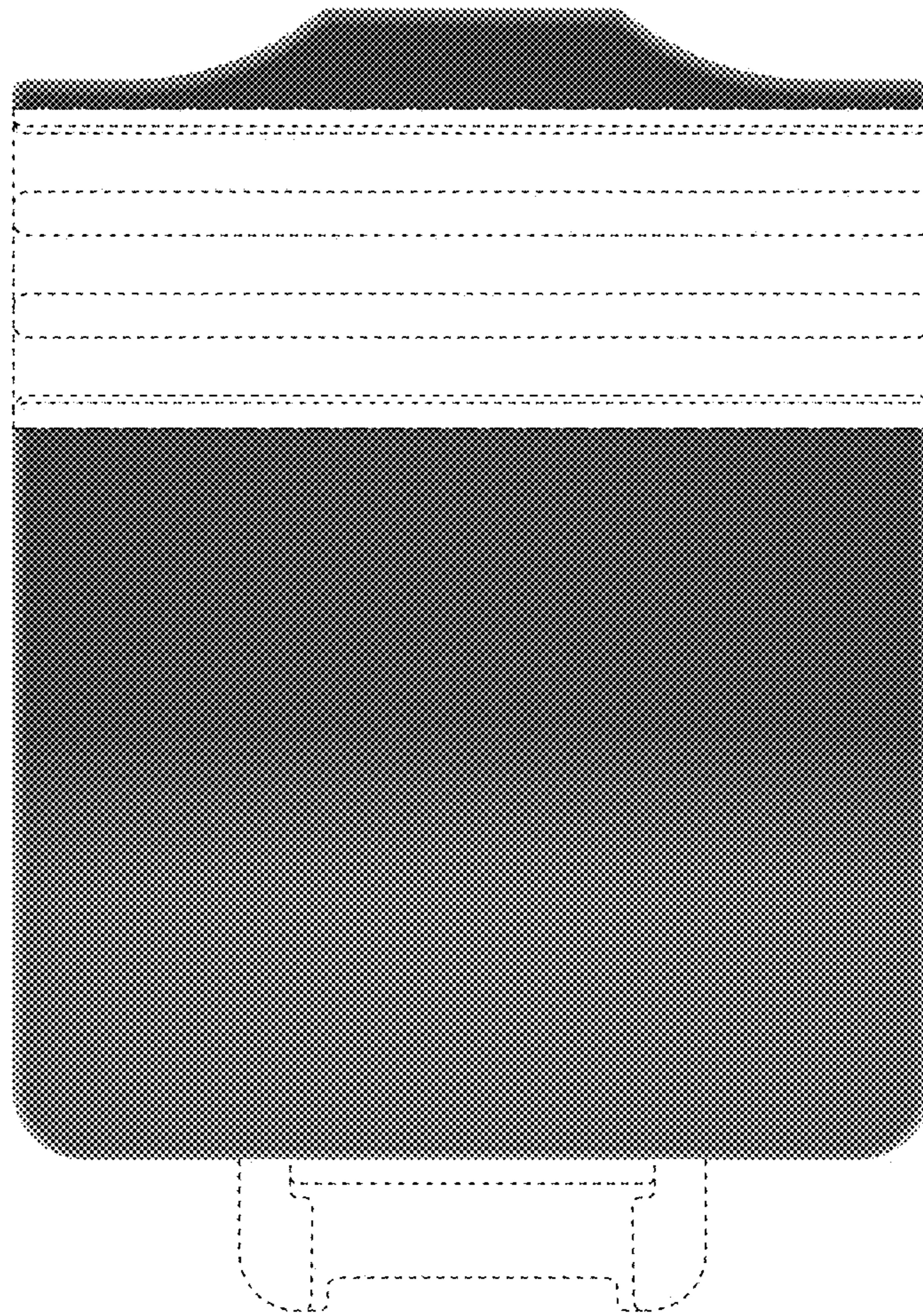


Fig. 7