



US00D842344S

(12) **United States Design Patent**  
**Okuyama et al.**

(10) **Patent No.:** **US D842,344 S**

(45) **Date of Patent:** **\*\* Mar. 5, 2019**

(54) **EXCAVATOR**

(71) Applicant: **YANMAR CO., LTD.**, Osaka-shi,  
Osaka (JP)

(72) Inventors: **Kiyoyuki Okuyama**, Yamagata (JP);  
**Masataka Miyoshi**, Chikugo (JP);  
**Masamitsu Uemura**, Chikugo (JP);  
**Zenzo Uchida**, Chikugo (JP); **Hisayuki**  
**Ishii**, Chikugo (JP); **Nozomi**  
**Sakaguchi**, Chikugo (JP); **Yoshihito**  
**Hayama**, Chikugo (JP)

(73) Assignee: **Yanmar Co., Ltd.**, Osaka-shi (JP)

(\*\*) Term: **15 Years**

(21) Appl. No.: **29/595,235**

(22) Filed: **Feb. 27, 2017**

(30) **Foreign Application Priority Data**

Aug. 30, 2016 (JP) ..... D2016-018558

(51) **LOC (11) Cl.** ..... **12-09**

(52) **U.S. Cl.**  
USPC ..... **D15/23**

(58) **Field of Classification Search**  
USPC ..... D15/22, 23, 25, 26; D21/424, 431  
CPC ..... E02F 3/40; E02F 3/30; E02F 3/32  
See application file for complete search history.

(56) **References Cited**

**U.S. PATENT DOCUMENTS**

5,592,762 A \* 1/1997 Hendron ..... E02F 3/30  
37/403  
D628,599 S \* 12/2010 Major ..... D15/23  
D629,017 S \* 12/2010 Major ..... D15/23  
8,731,784 B2 \* 5/2014 Hayashi ..... E02F 3/7618  
172/701.1  
D756,420 S \* 5/2016 Okuyama ..... D15/23

D785,051 S \* 4/2017 Okuyama ..... D15/23  
D786,311 S \* 5/2017 Okuyama ..... D15/23  
2006/0225312 A1 \* 10/2006 Striegel ..... E02F 3/40  
37/443  
2009/0101370 A1 \* 4/2009 Tasovski ..... B60P 1/286  
172/1  
2011/0176899 A1 \* 7/2011 Huissoon ..... E02F 3/301  
414/687  
2013/0322999 A1 \* 12/2013 Kimura ..... B60J 5/0487  
414/687  
2014/0140799 A1 \* 5/2014 Moriguchi ..... E02F 3/30  
414/695.5  
2014/0161578 A1 \* 6/2014 Kimura ..... E02F 9/2004  
414/687  
2015/0267378 A1 \* 9/2015 Murtha ..... E02F 3/964  
37/410  
2016/0145827 A1 \* 5/2016 Kami ..... E02F 3/437  
701/50

(Continued)

*Primary Examiner* — Garth Rademaker

*Assistant Examiner* — Benjamin M Weeks

(74) *Attorney, Agent, or Firm* — Norton Rose Fulbright  
US LLP

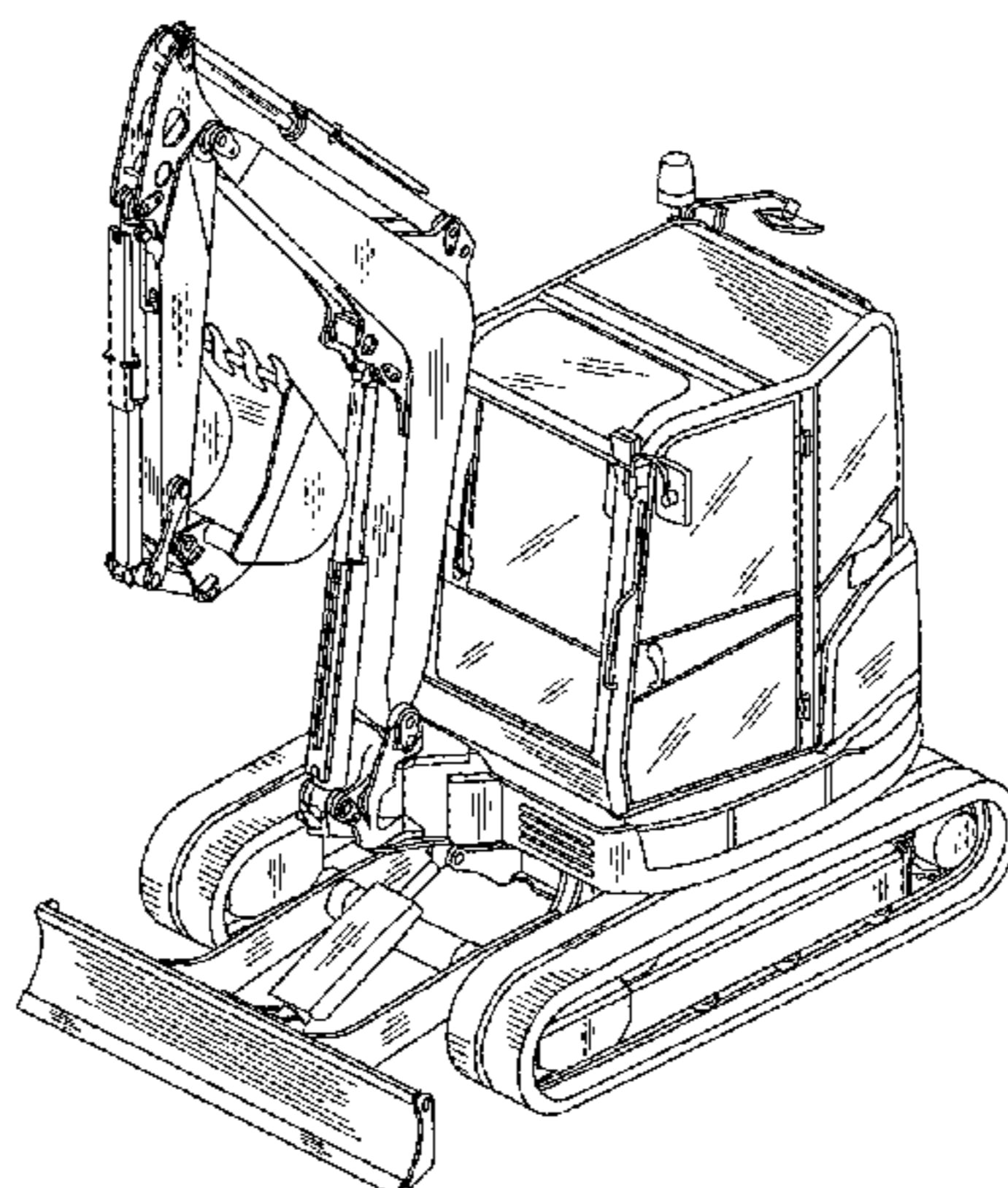
(57) **CLAIM**

The ornamental design for an excavator, as shown and described.

**DESCRIPTION**

FIG. 1 is a perspective view of an excavator showing our new design;  
FIG. 2 is a front view thereof;  
FIG. 3 is a rear view thereof;  
FIG. 4 is a right side view thereof;  
FIG. 5 is a left side view thereof;  
FIG. 6 is a top plan view thereof; and,  
FIG. 7 is a bottom plan view thereof.  
The broken lines in the drawings are for the purpose of illustrating portions of the excavator that form no part of the claimed design.

**1 Claim, 7 Drawing Sheets**



(56)

**References Cited**

U.S. PATENT DOCUMENTS

2016/0273190 A1\* 9/2016 Doi ..... E02F 9/18  
2016/0281326 A1\* 9/2016 Ozaki ..... E02F 9/0866  
2016/0281327 A1\* 9/2016 Hashimoto ..... E02F 9/18  
2017/0083760 A1\* 3/2017 Kiyota ..... G06T 7/00  
2017/0175357 A1\* 6/2017 Doi ..... E02F 9/16

\* cited by examiner

FIG. 1

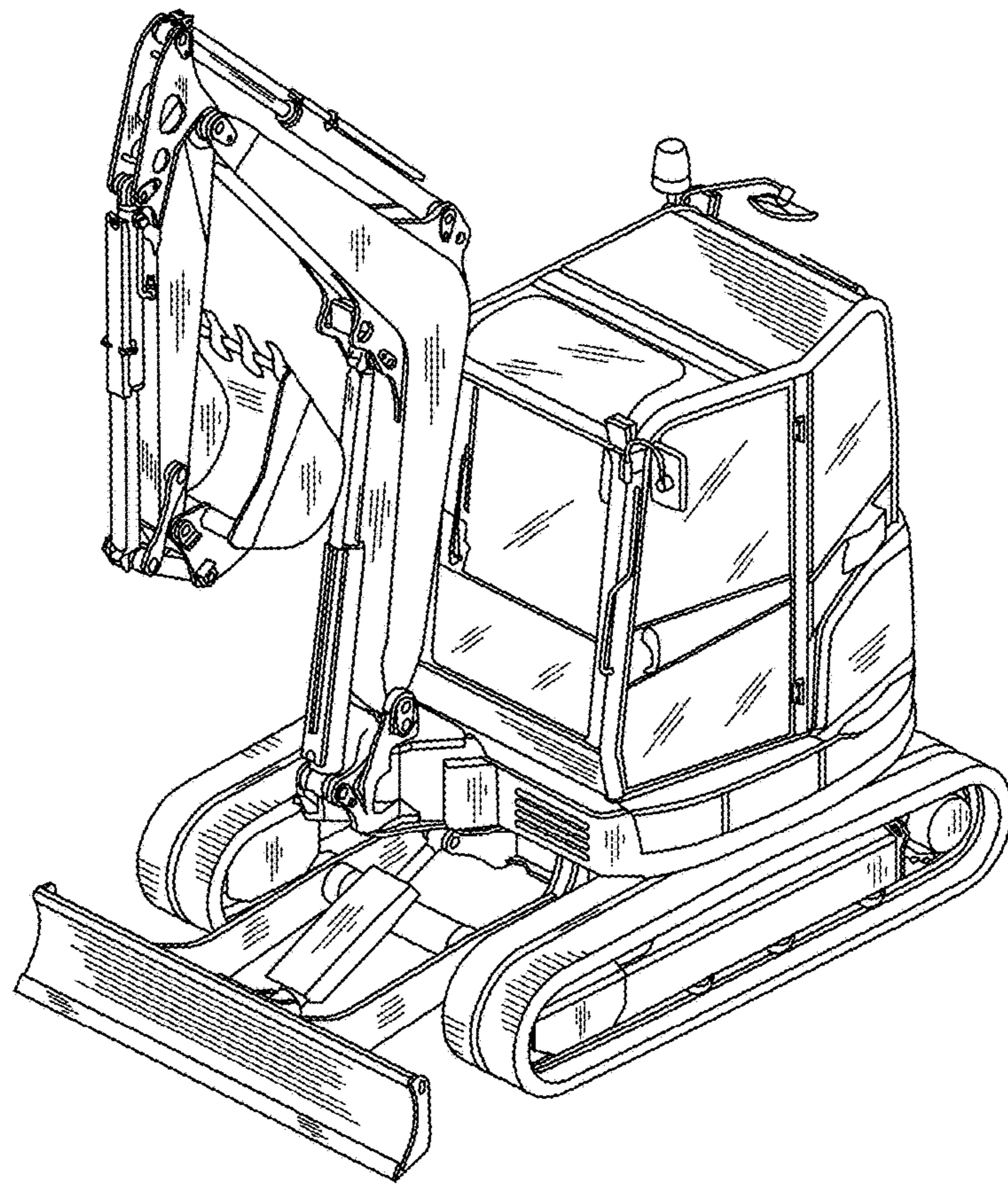
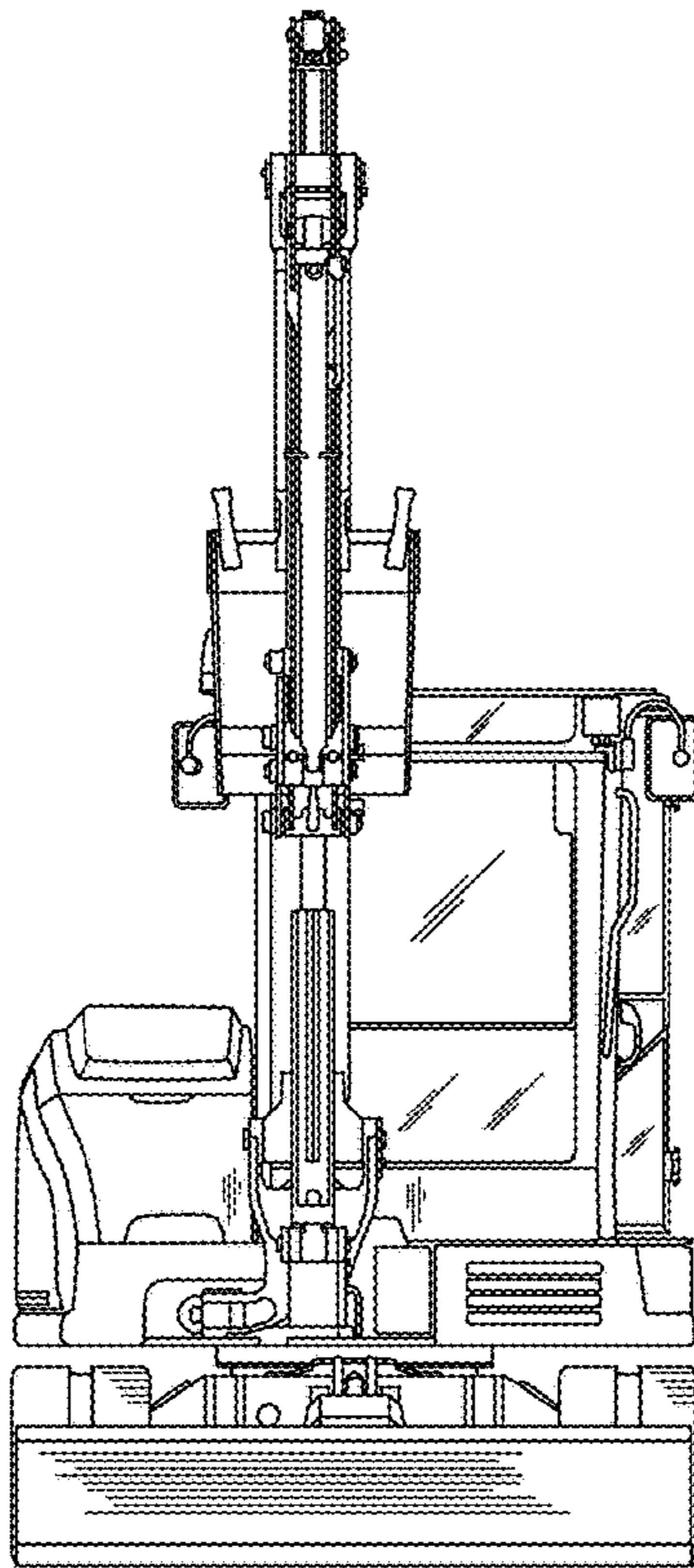


FIG. 2



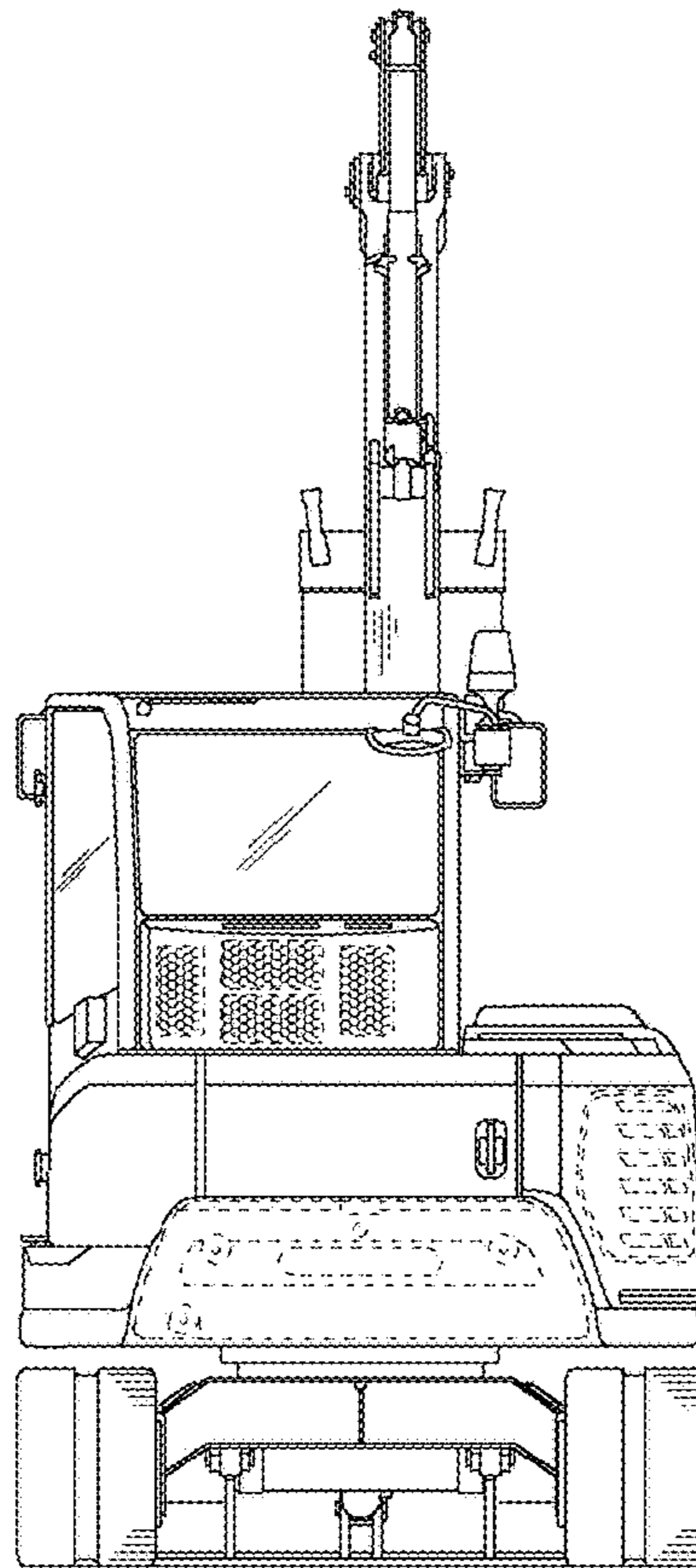
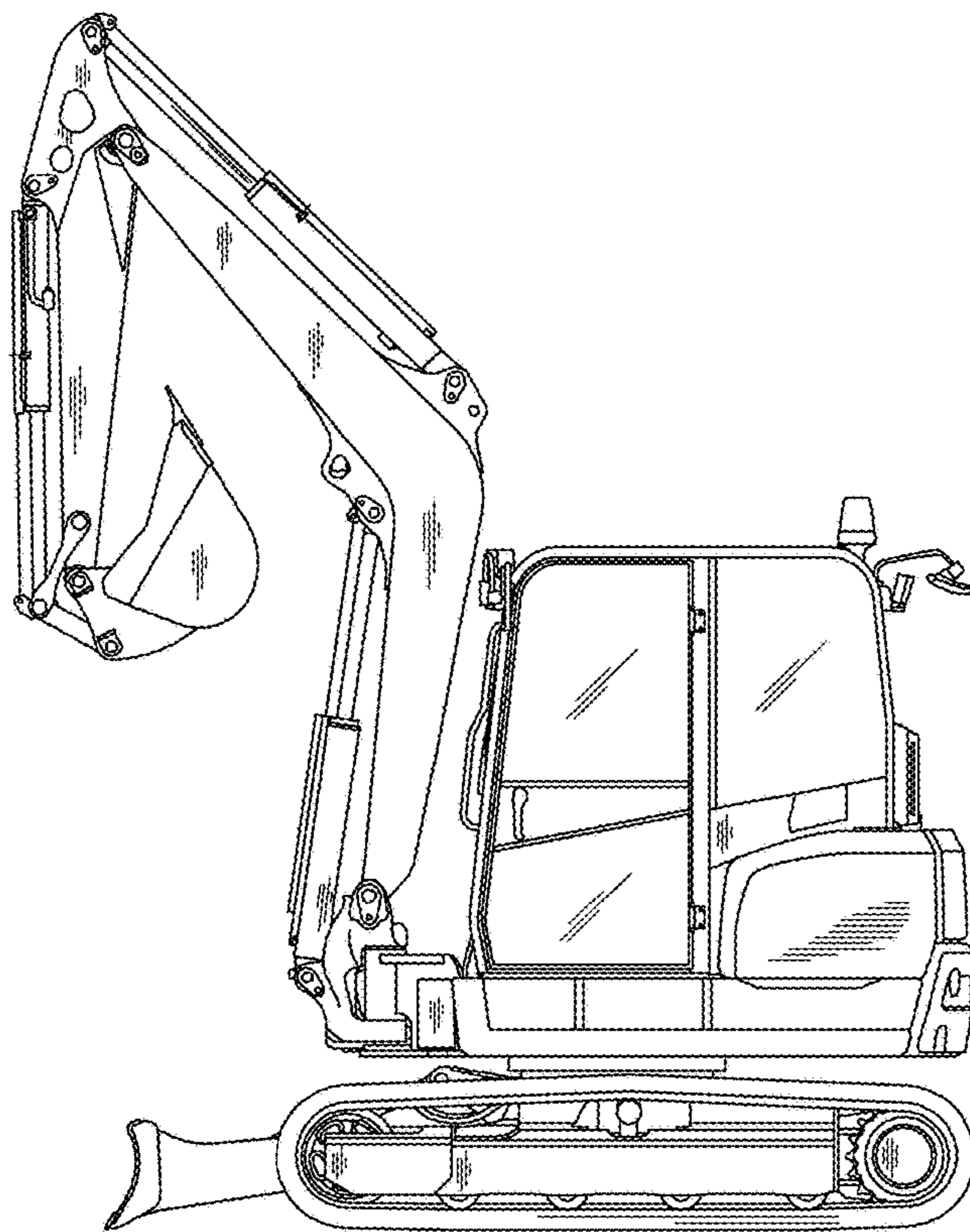


FIG. 3



FIG. 4



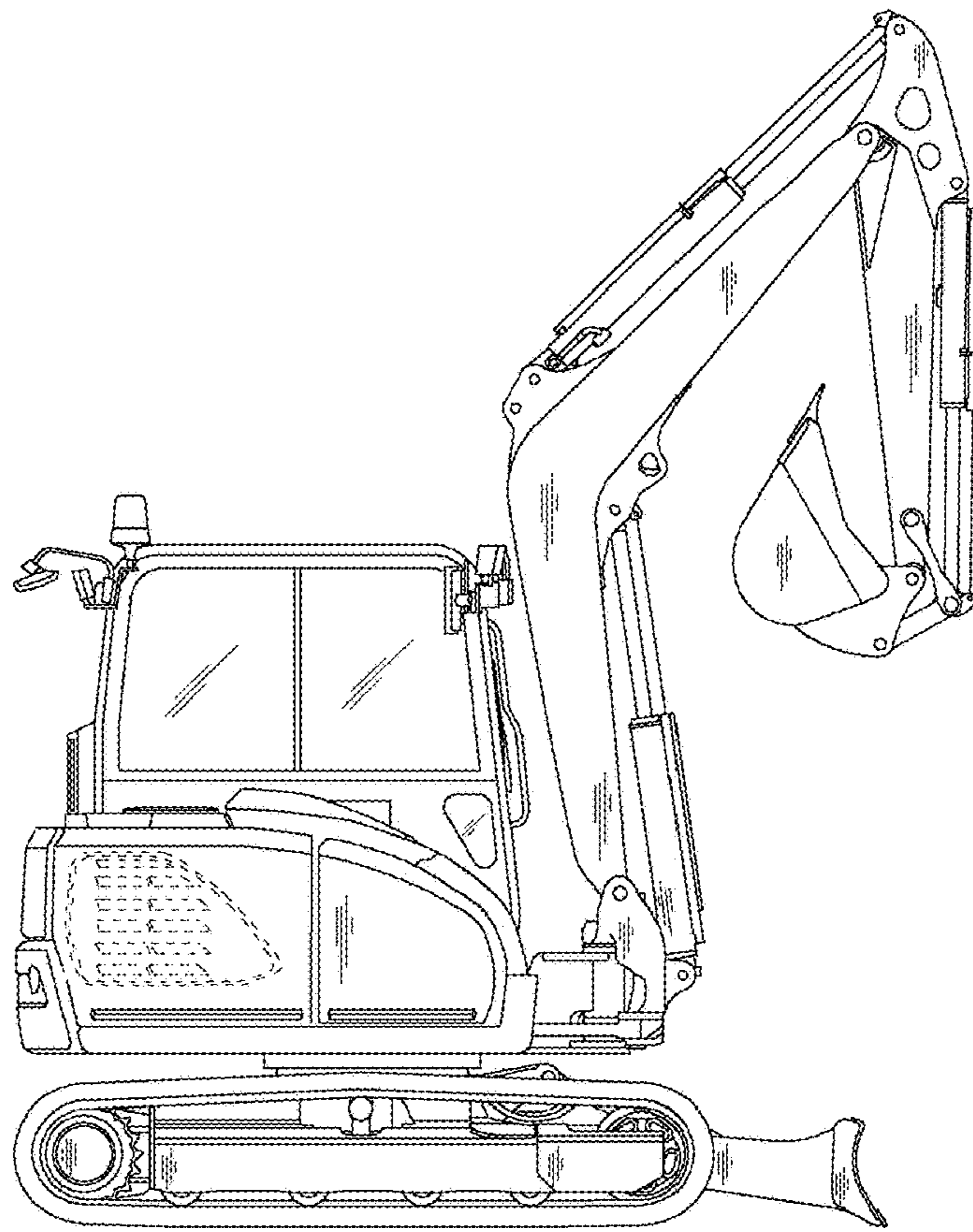


FIG. 5

FIG. 6

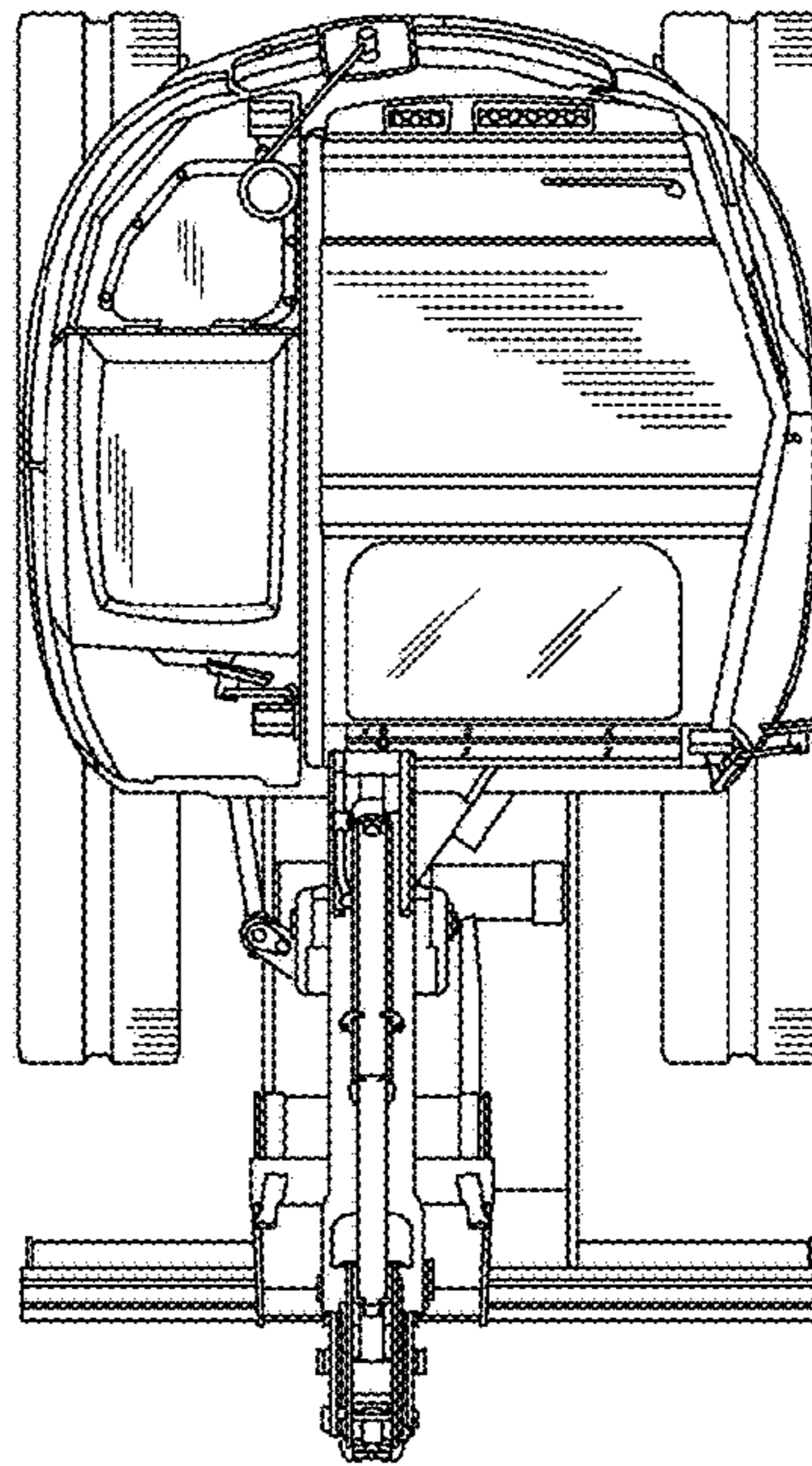




FIG. 7

