



US00D842343S

(12) **United States Design Patent** (10) **Patent No.:** **US D842,343 S**  
**Roh et al.** (45) **Date of Patent:** **\*\* Mar. 5, 2019**

(54) **ROBOT LAWN MOWER**

B60L 2220/46; B60L 2240/36; B60L 2240/421; A01G 3/04; A01G 3/0435

(71) Applicant: **LG ELECTRONICS INC.**, Seoul (KR)

See application file for complete search history.

(72) Inventors: **Hyoungwon Roh**, Seoul (KR);  
**Jaeyoung Kim**, Seoul (KR);  
**Myungwhoon Lee**, Seoul (KR)

(56) **References Cited**

U.S. PATENT DOCUMENTS

(73) Assignee: **LG ELECTRONICS INC.**, Seoul (KR)

D346,809	S	*	5/1994	Burgos	.....	D15/14
D451,931	S	*	12/2001	Abramson	.....	D15/14
D504,901	S	*	5/2005	Wickstrom	.....	D15/14
D559,867	S	*	1/2008	Abramson	.....	D15/14
D573,610	S	*	7/2008	Abramson	.....	D15/14
D652,431	S	*	1/2012	Naslund	.....	D15/14
D656,163	S	*	3/2012	Johansson	.....	D15/14
8,390,251	B2	*	3/2013	Cohen	.....	A47L 9/2857 320/109
D679,294	S	*	4/2013	Tajik	.....	D15/14
D679,295	S	*	4/2013	Tajik	.....	D15/14
D681,065	S	*	4/2013	Maeda	.....	D15/14
8,634,960	B2	*	1/2014	Sandin	.....	G05D 1/0225 700/258
D718,339	S	*	11/2014	Damshak	.....	D15/14
D718,340	S	*	11/2014	Damshak	.....	D15/14
D718,341	S	*	11/2014	Gur	.....	D15/14

(\*\*) Term: **15 Years**

(21) Appl. No.: **35/504,150**

(22) Filed: **Jun. 14, 2017**

(80) **Hague Agreement Data**

Int. Filing Date: **Jun. 14, 2017**

Int. Reg. No.: **DM/096530**

Int. Reg. Date: **Jun. 14, 2017**

Int. Reg. Pub. Date: **Dec. 15, 2017**

(Continued)

*Primary Examiner* — Richard E Chilcot

(74) *Attorney, Agent, or Firm* — Birch, Stewart, Kolasch & Birch, LLP

(30) **Foreign Application Priority Data**

Dec. 15, 2016 (KR) ..... 30-2016-0061027

(51) **LOC (11) Cl.** ..... **15-03**

(52) **U.S. Cl.**  
USPC ..... **D15/14; D15/17**  
CPC ..... **A01D 34/008 (2013.01)**

(58) **Field of Classification Search**

USPC ..... D15/14-18; 56/11.9, 17.5, 13.4, 12.8,  
56/16.7, 202, 255, 294, 295, 320.1, 320.2;  
180/900, 89.1, 89.12  
CPC .... A01D 34/008; A01D 34/81; A01D 34/416;  
A01D 34/4166; A01D 34/4167; A01D  
34/87; A01D 34/90; B60L 1/003; B60L  
3/0061; B60L 11/1803; B60L 11/1805;  
B60L 11/1877; B60L 15/20; B60L  
2260/28; B60L 2200/40; B60L 2220/16;

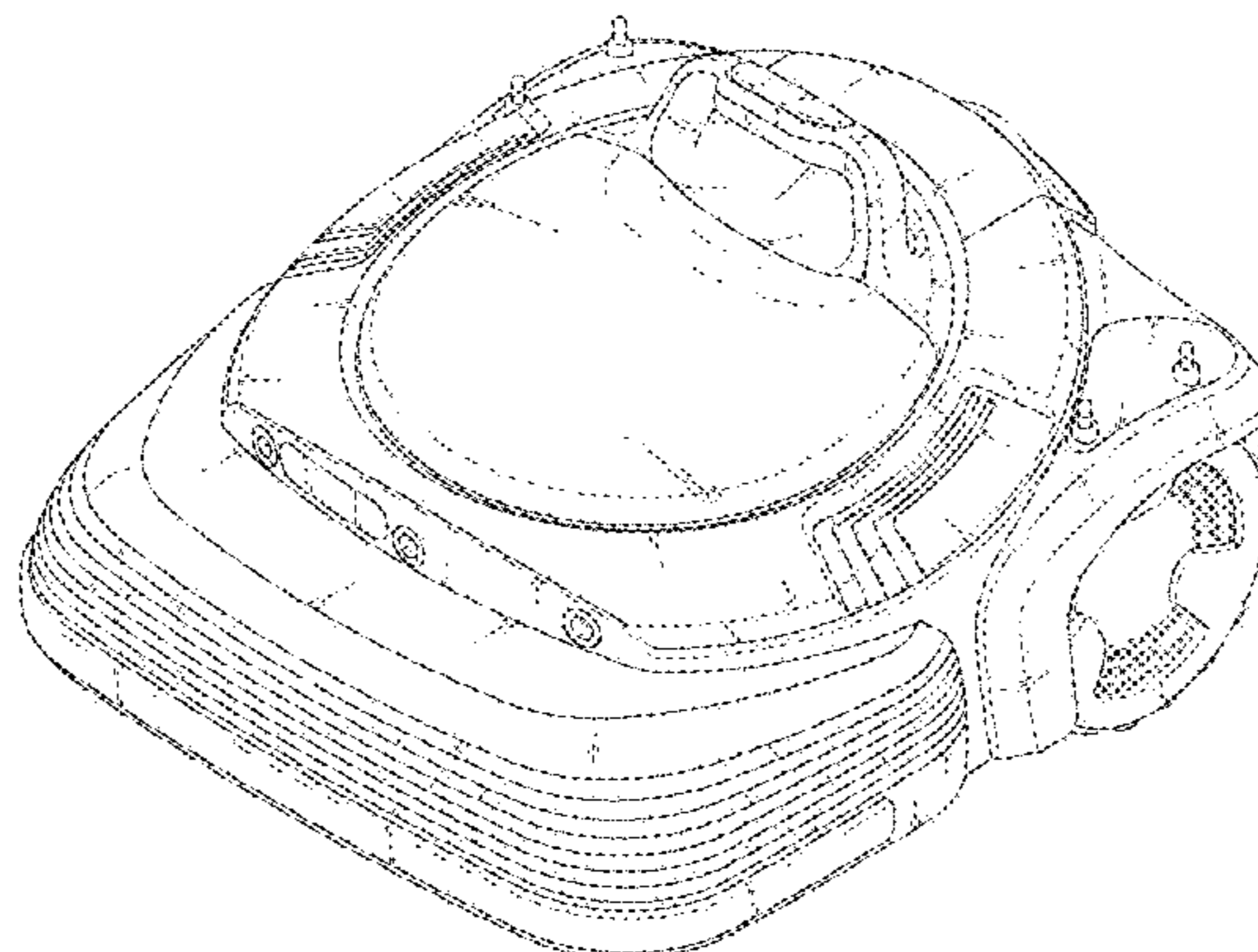
(57) **CLAIM**

The ornamental design for a robot lawn mower, as shown and described.

**DESCRIPTION**

- 1. Robot lawn mower
- 1.1 : Perspective
- 1.2 : Front
- 1.3 : Back
- 1.4 : Left
- 1.5 : Right
- 1.6 : Top
- 1.7 : Bottom
- 1.8 : Back perspective

(Continued)



The broken lines depict portions of the robot lawn mower that form no part of the claimed design.

**1 Claim, 8 Drawing Sheets**

(56)

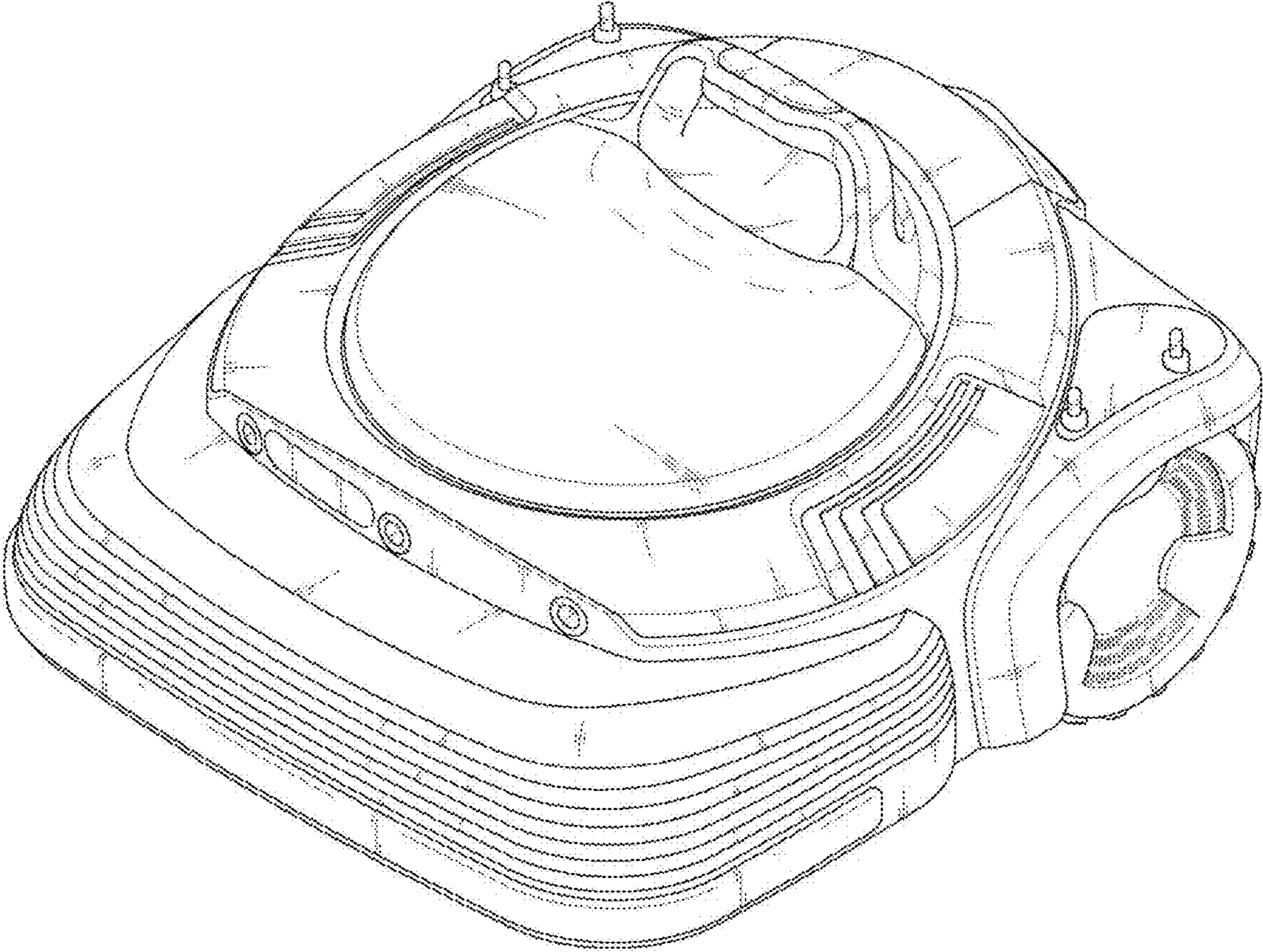
**References Cited**

U.S. PATENT DOCUMENTS

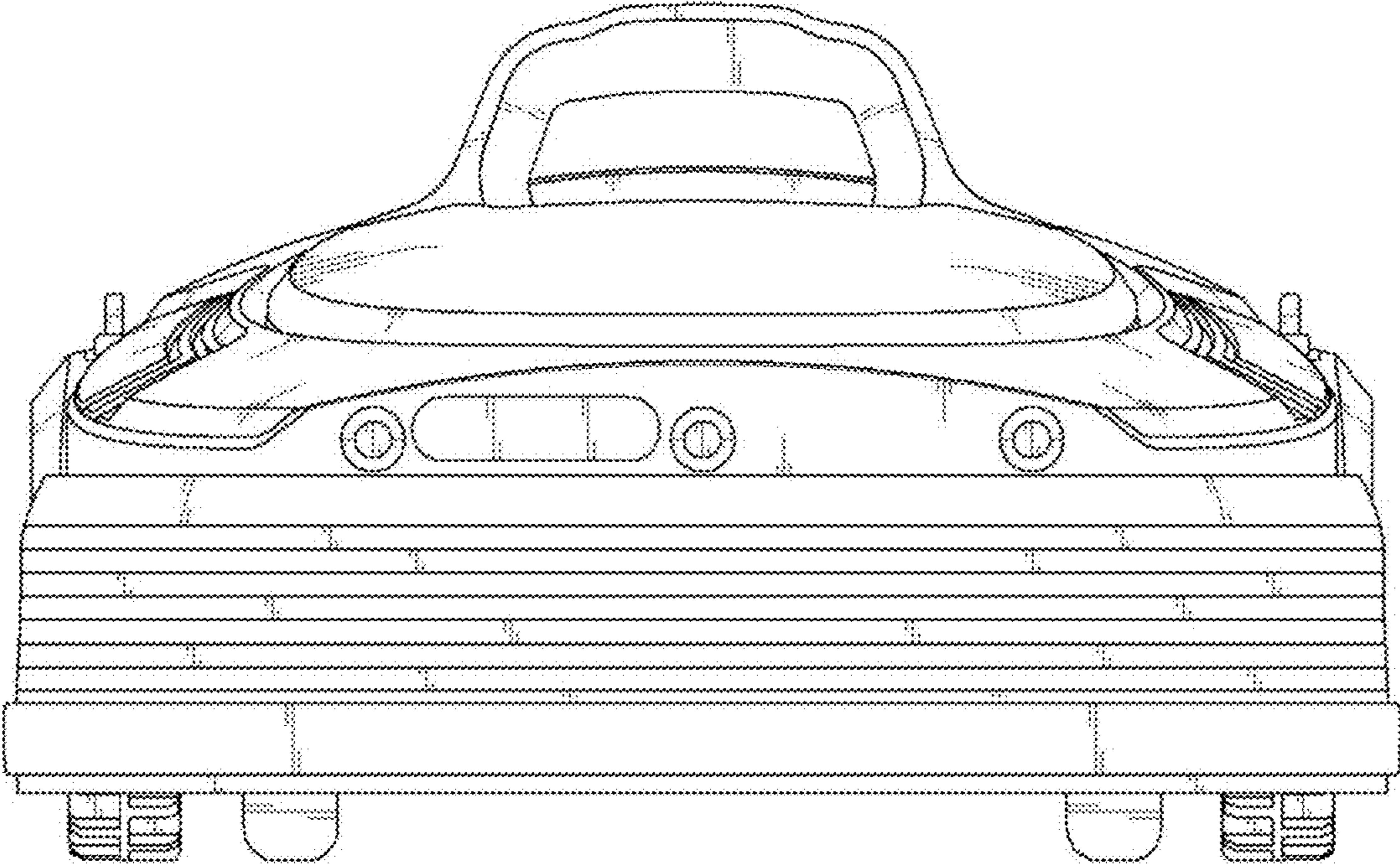
D718,793	S	*	12/2014	Gur	.....	D15/14
D729,280	S	*	5/2015	Naslund	.....	D15/14
D780,811	S	*	3/2017	Lin	.....	D15/14
D805,111	S	*	12/2017	Fujiwara	.....	D15/14
D830,418	S	*	10/2018	Naslund	.....	D15/14
2010/0324731	A1	*	12/2010	Letsky	.....	A01D 34/008 700/245
2016/0100521	A1	*	4/2016	Halloran	.....	A01D 34/008 180/169
2018/0064024	A1	*	3/2018	Choi	.....	A01D 34/008
2018/0184583	A1	*	7/2018	Morin	.....	A01D 34/008

\* cited by examiner

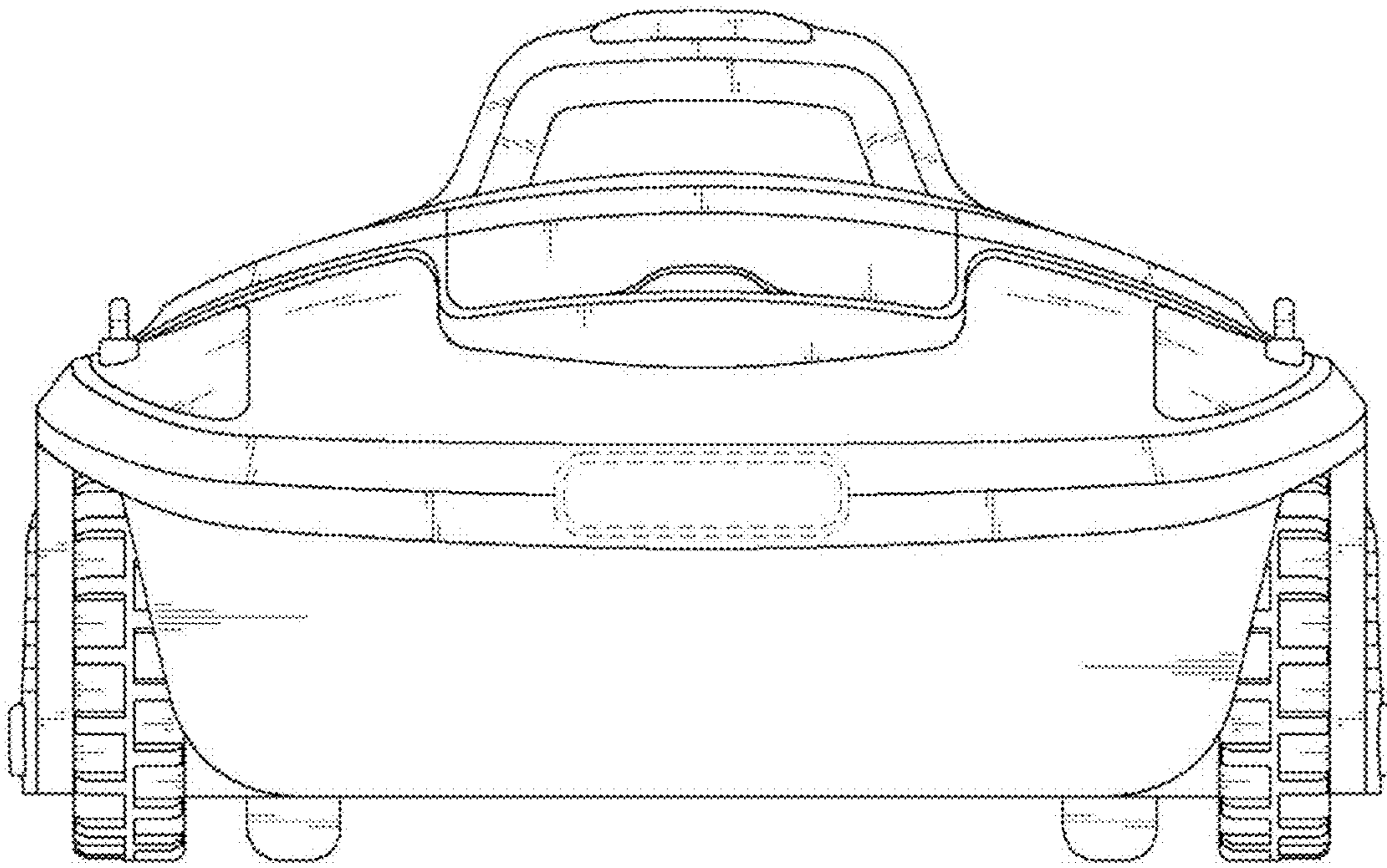
1.1



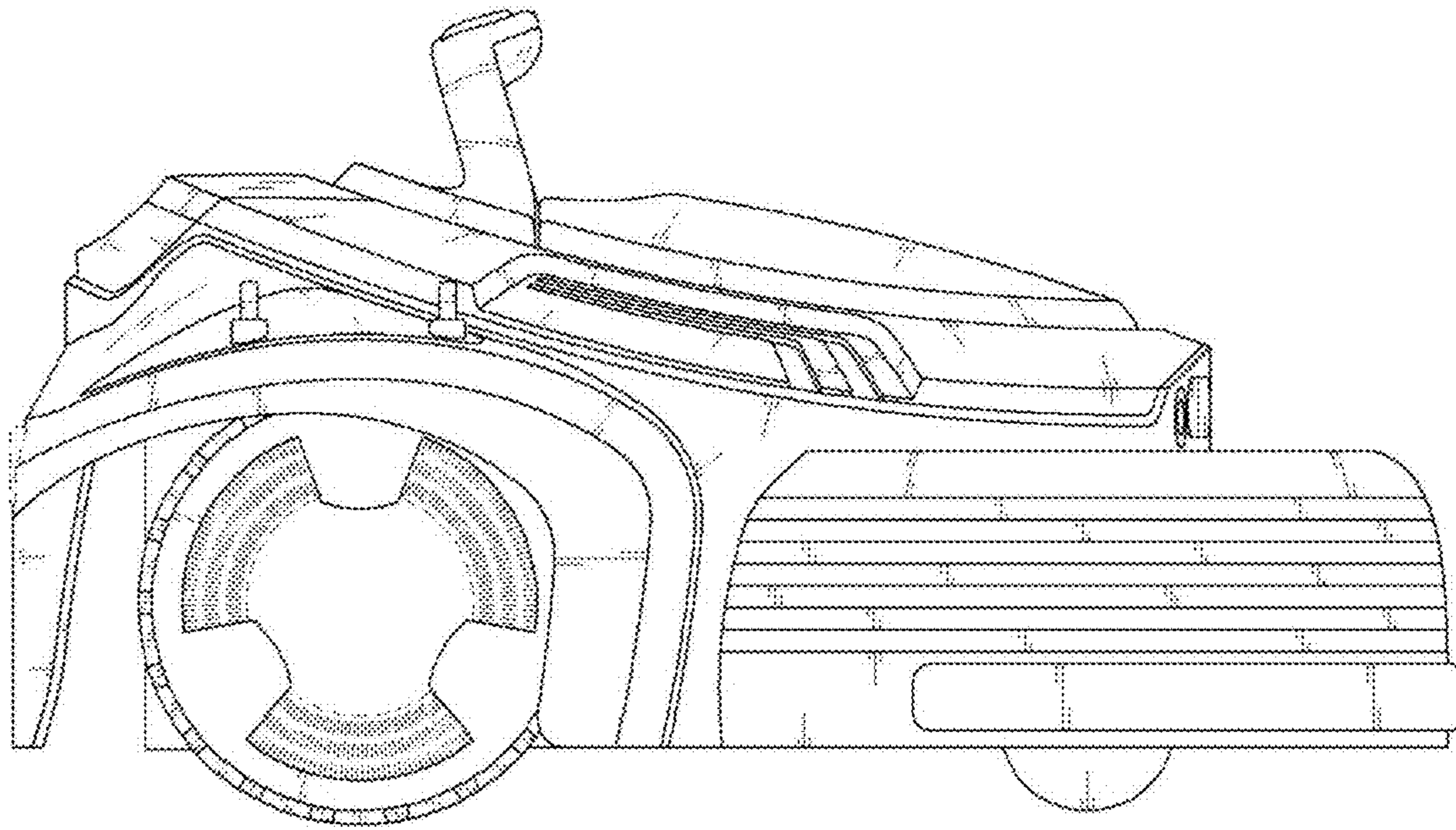
1.2



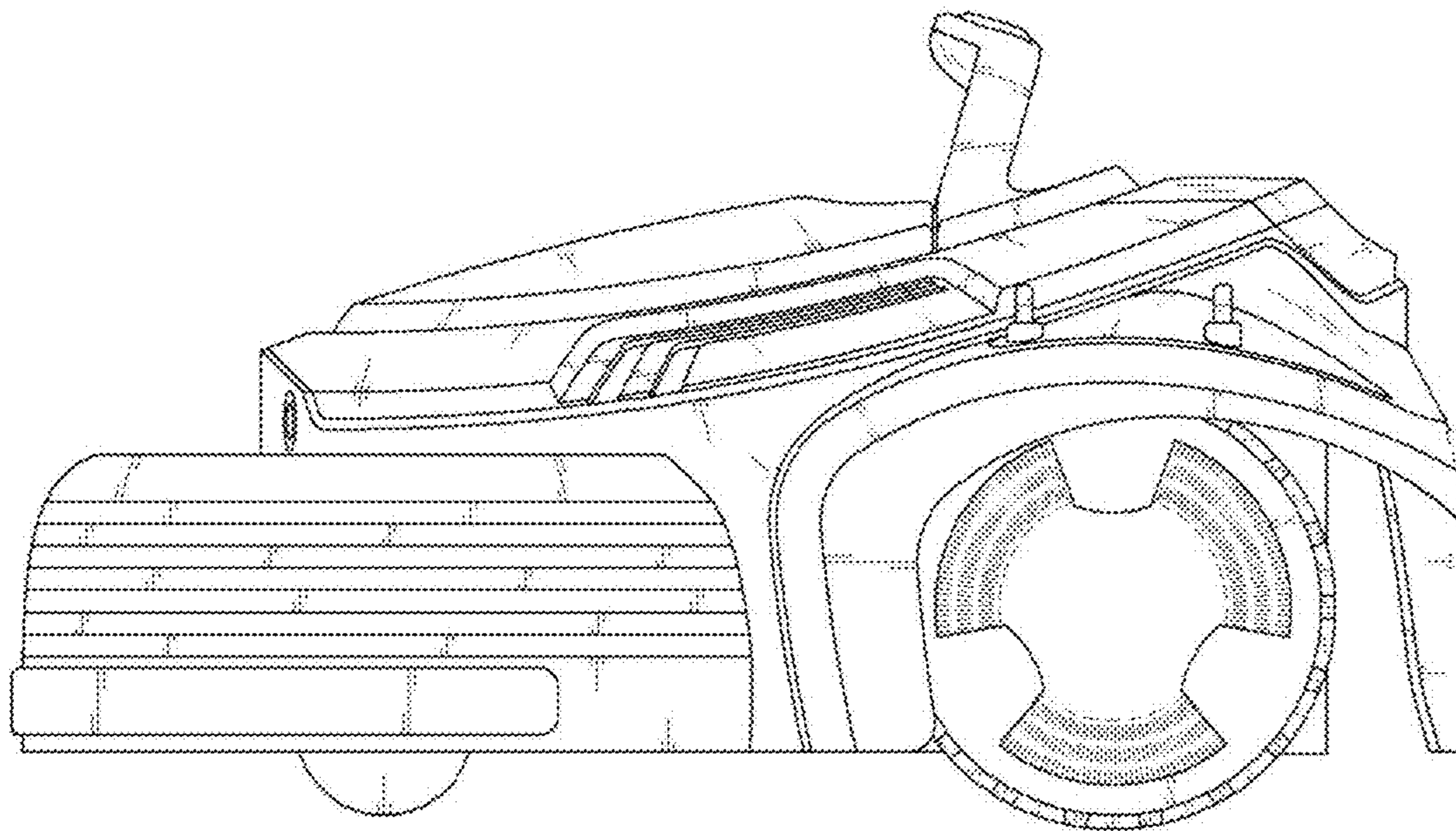
1.3



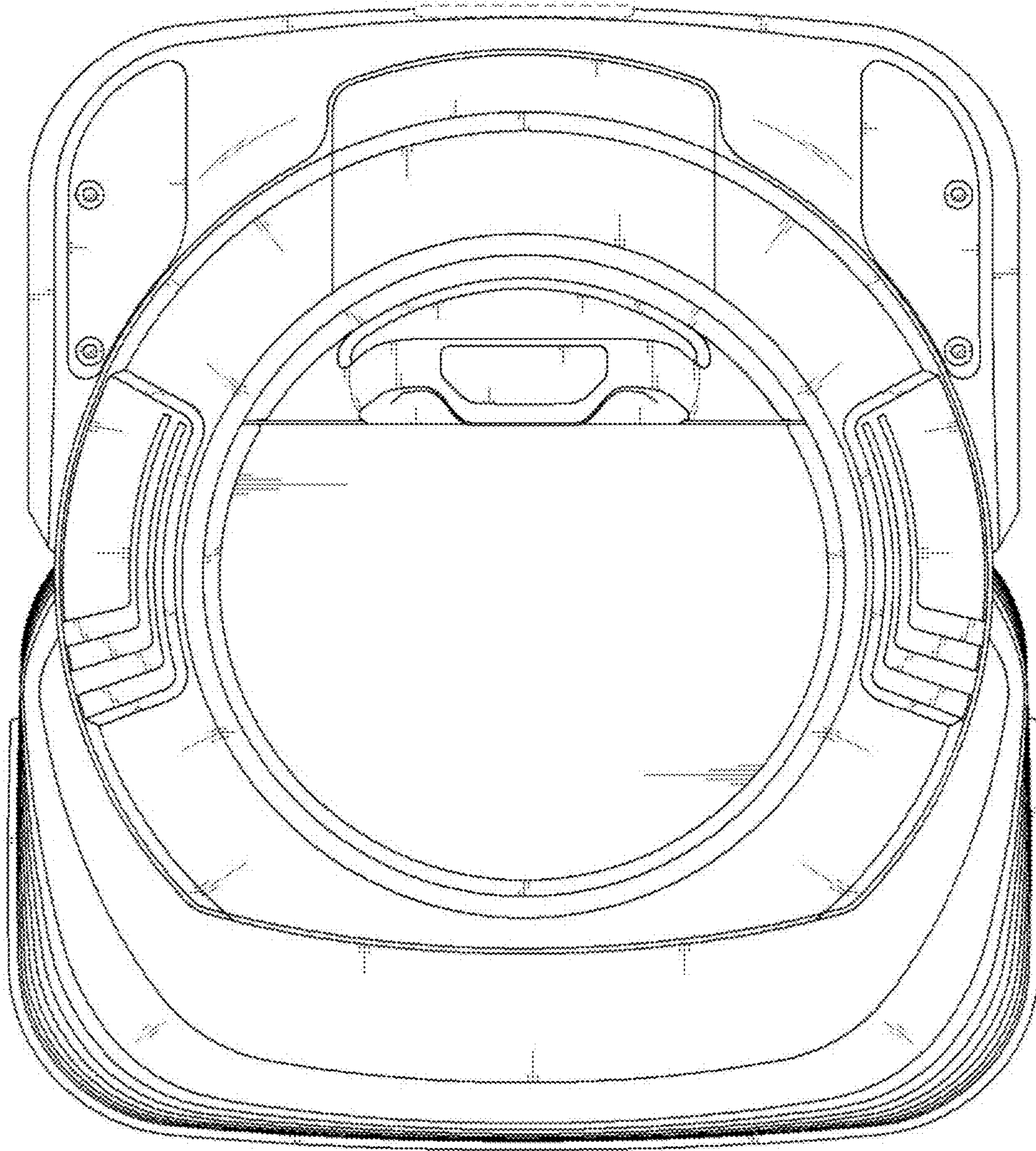
1.4



1.5

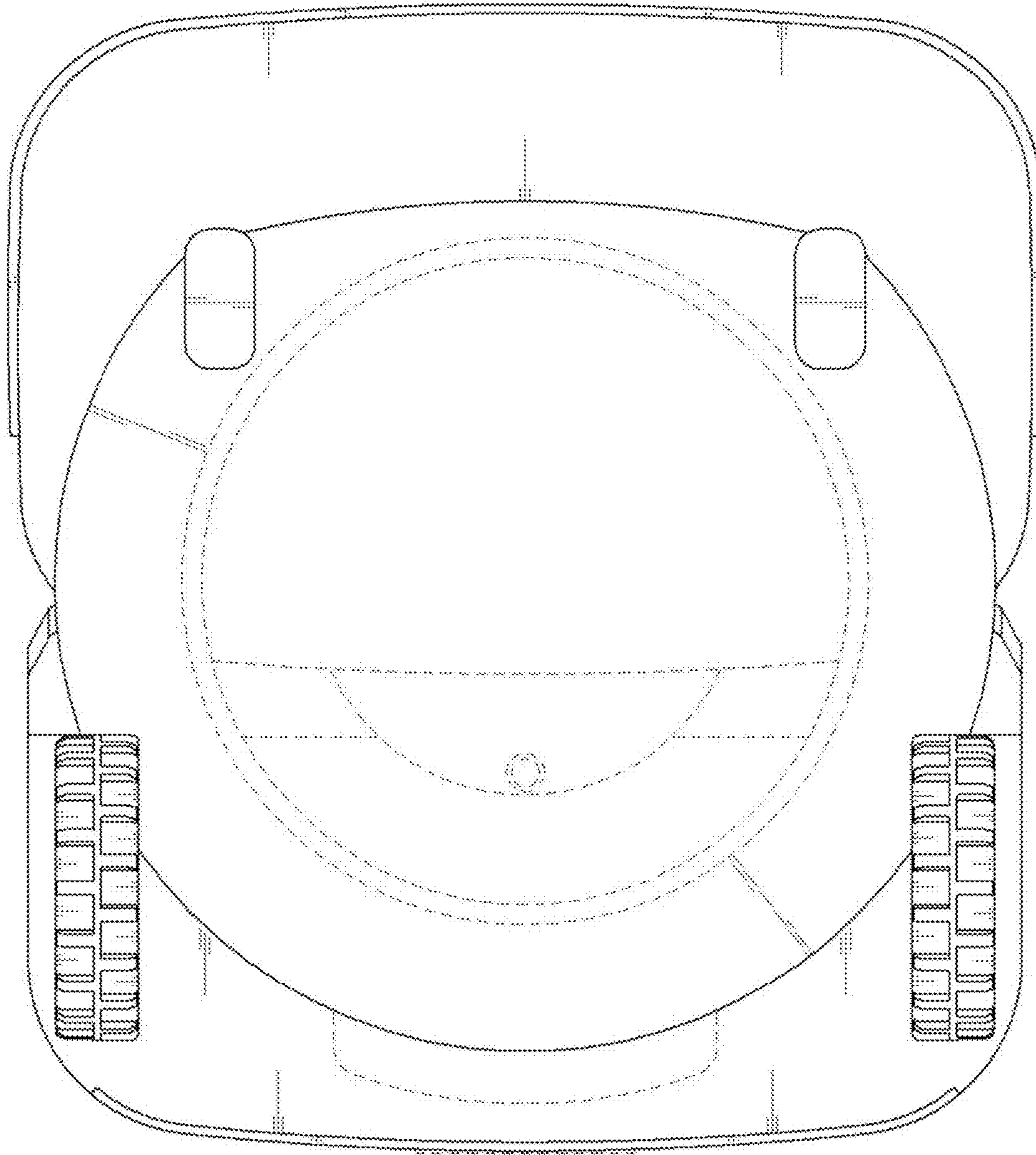


1.6





1.7



1.8

