



US00D842342S

(12) **United States Design Patent** (10) **Patent No.:** **US D842,342 S**
Wegner (45) **Date of Patent:** **** Mar. 5, 2019**

(54) **GEAR CASING**

(71) Applicant: **MAN DIESEL & TURBO SE,**
Augsburg (DE)

(72) Inventor: **Hanno Wegner,** Berlin (DE)

(73) Assignee: **MAN Energy Solutions SE,** Augsburg
(DE)

(**) Term: **15 Years**

(21) Appl. No.: **35/502,259**

(22) Filed: **Nov. 30, 2016**

(80) **Hague Agreement Data**

Int. Filing Date: **Nov. 30, 2016**

Int. Reg. No.: **DM/094022**

Int. Reg. Date: **Nov. 30, 2016**

Int. Reg. Pub. Date: **Jan. 6, 2017**

(30) **Foreign Application Priority Data**

Jun. 2, 2016 (DE) 40 2016 000 767-0001

Jun. 2, 2016 (DE) 40 2016 000 767-0002

Jun. 2, 2016 (DE) 40 2016 000 767-0003

Jun. 2, 2016 (DE) 40 2016 000 767-0004

(51) **LOC (11) Cl.** **15-02**

(52) **U.S. Cl.** **D15/9**

USPC **D15/9**

CPC **F02M 37/04** (2013.01)

(58) **Field of Classification Search**

USPC D15/7-9; D23/225, 231, 232; 417/235,
417/265, 321, 355, 358, 363, 359, 410.1,
417/415-416, 405, 900

CPC F02M 37/04; F02M 37/14; F04D 29/4286
See application file for complete search history.

(56) **References Cited**

U.S. PATENT DOCUMENTS

D604,330 S * 11/2009 Duong D15/7
8,790,077 B2 * 7/2014 Burgess F04D 29/4286
415/127

D751,122 S * 3/2016 Huth D15/9
2011/0142599 A1 * 6/2011 Burgess F04D 29/4286
415/127

* cited by examiner

Primary Examiner — Richard E Chilcot

(74) *Attorney, Agent, or Firm* — Cozen O'Connor

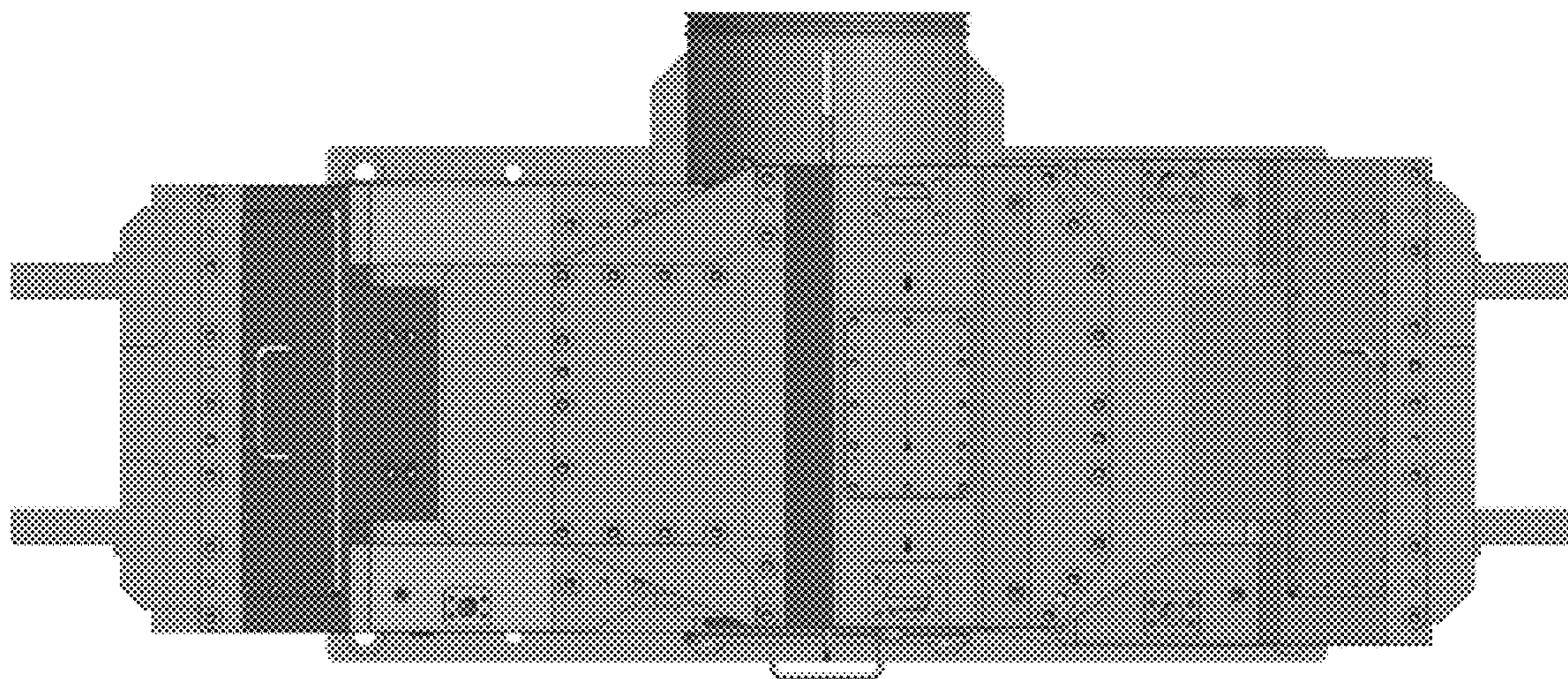
(57) **CLAIM**

I claim the ornamental design of a gear casing, as shown and described.

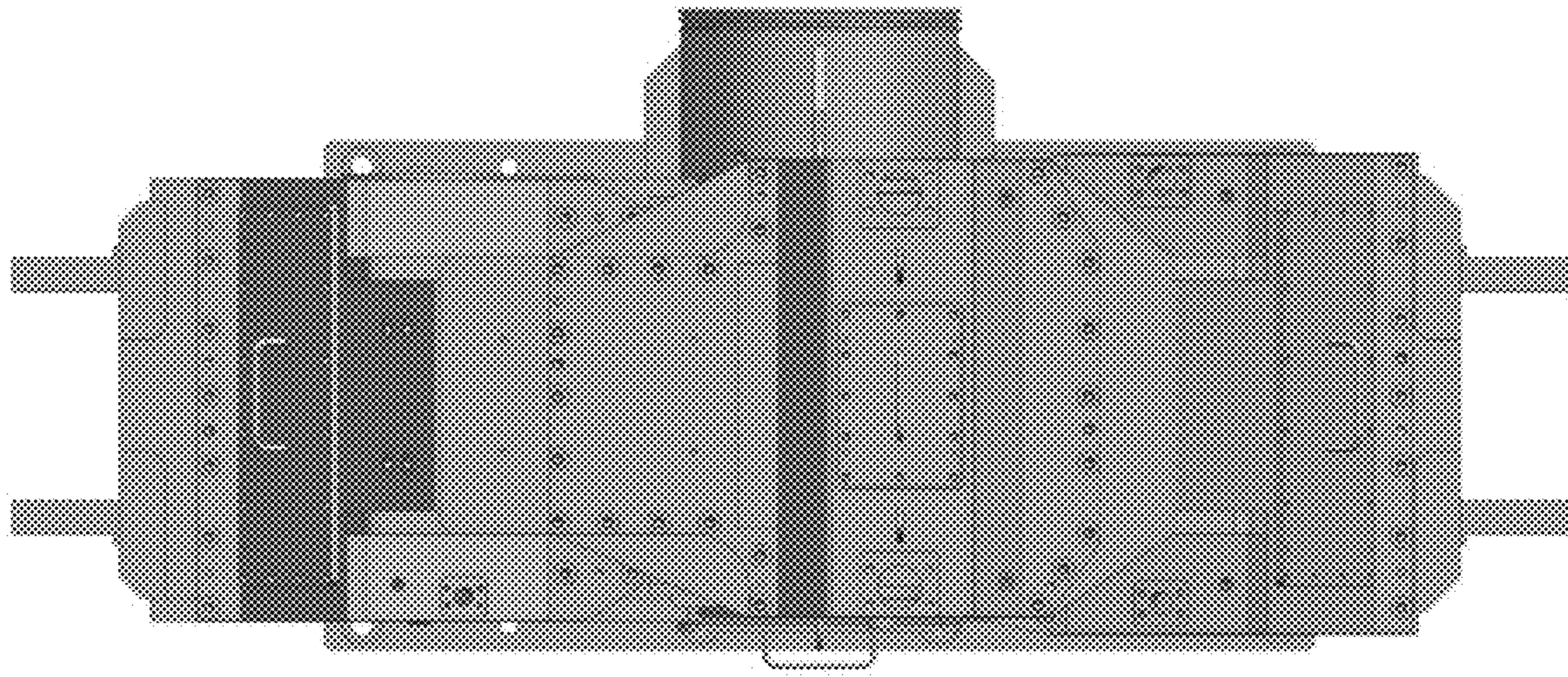
DESCRIPTION

Fig. 1.1 is a top view of a gear casing;
Fig. 1.2 is a left elevation view thereof;
Fig. 1.3 and Fig. 1.4 are right perspective views;
Fig. 1.5 is a front elevation view;
Fig. 1.6 is a rear elevation view; and
Fig. 1.7 is right elevation view.

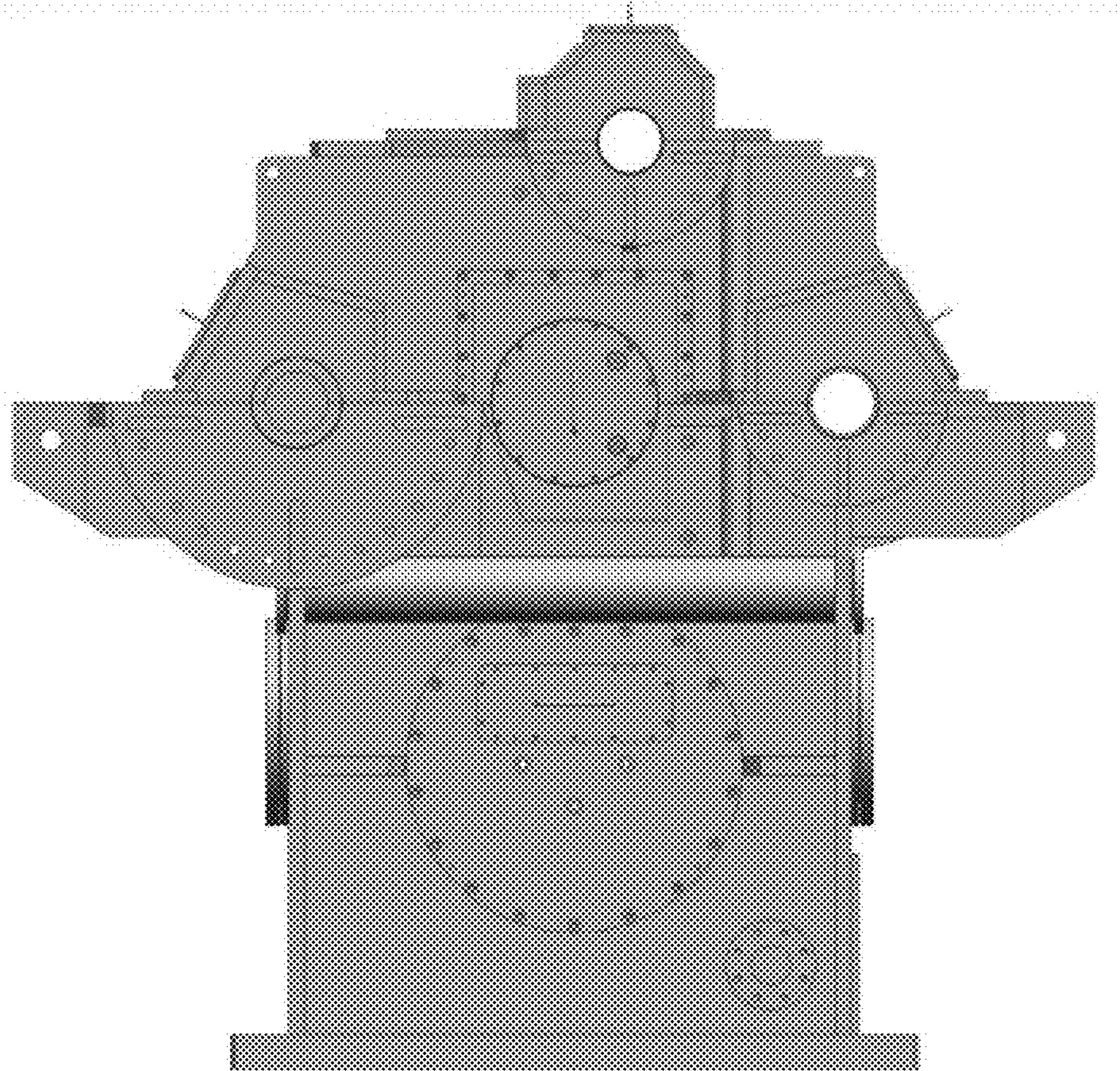
1 Claim, 7 Drawing Sheets



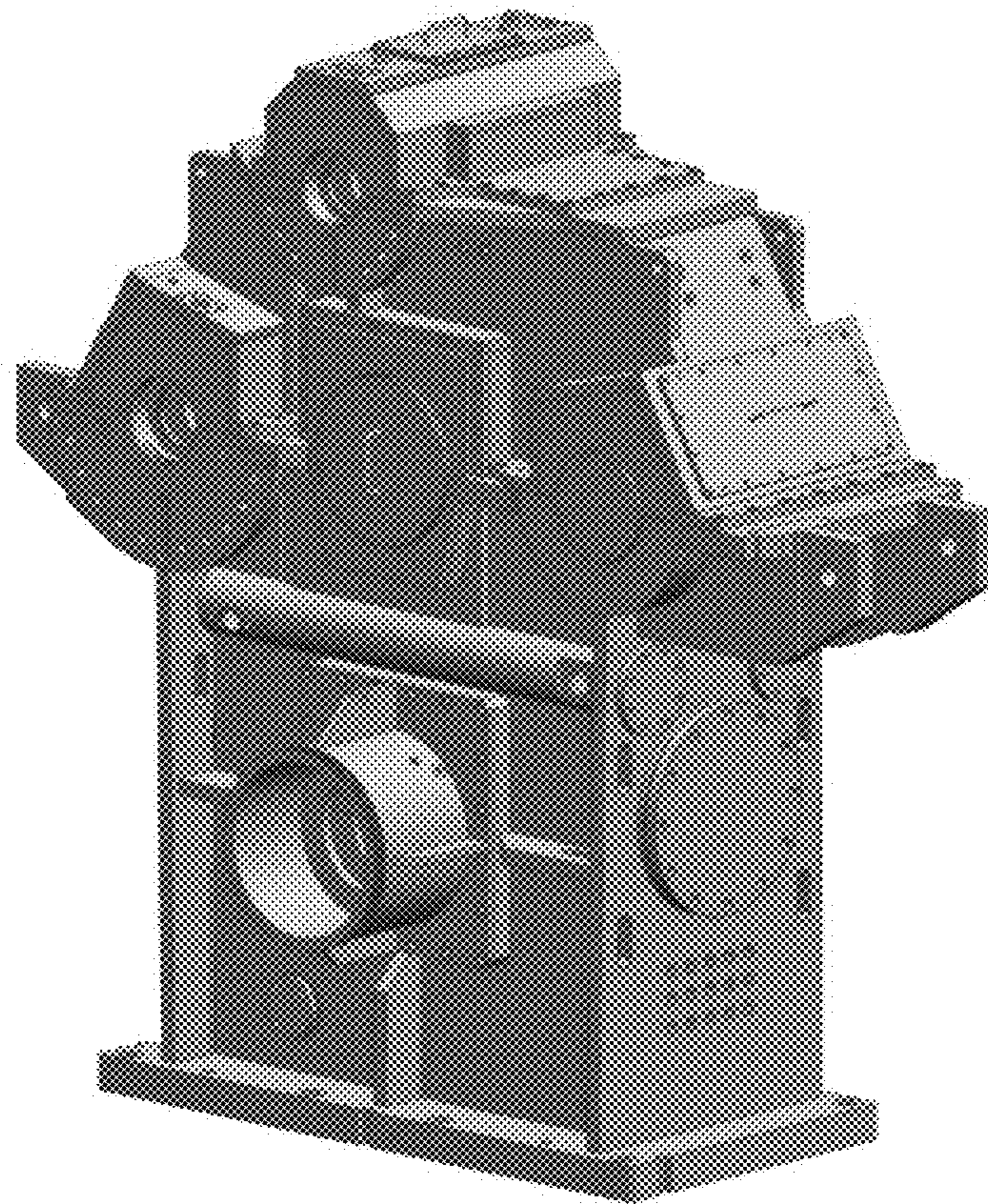
1.1



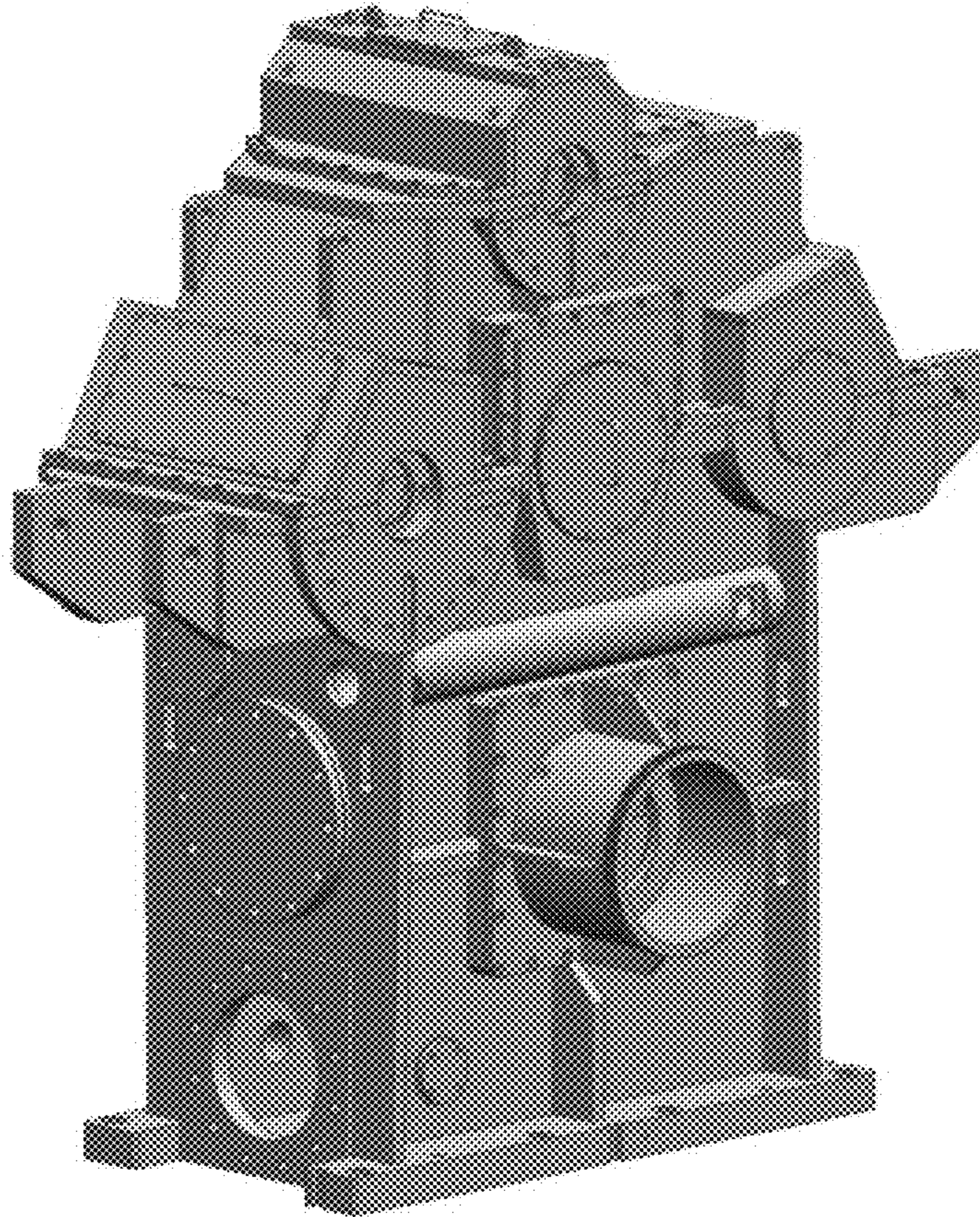
1.2



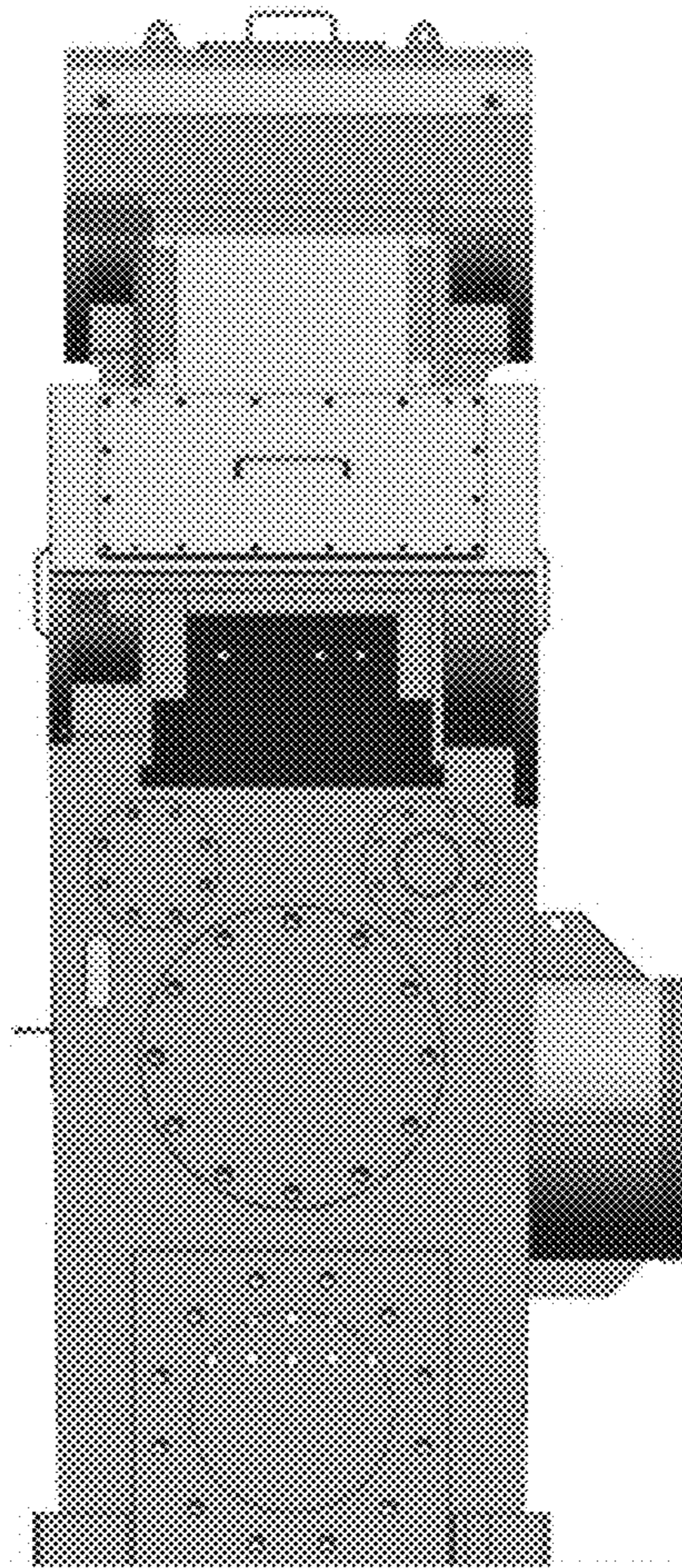
1.3



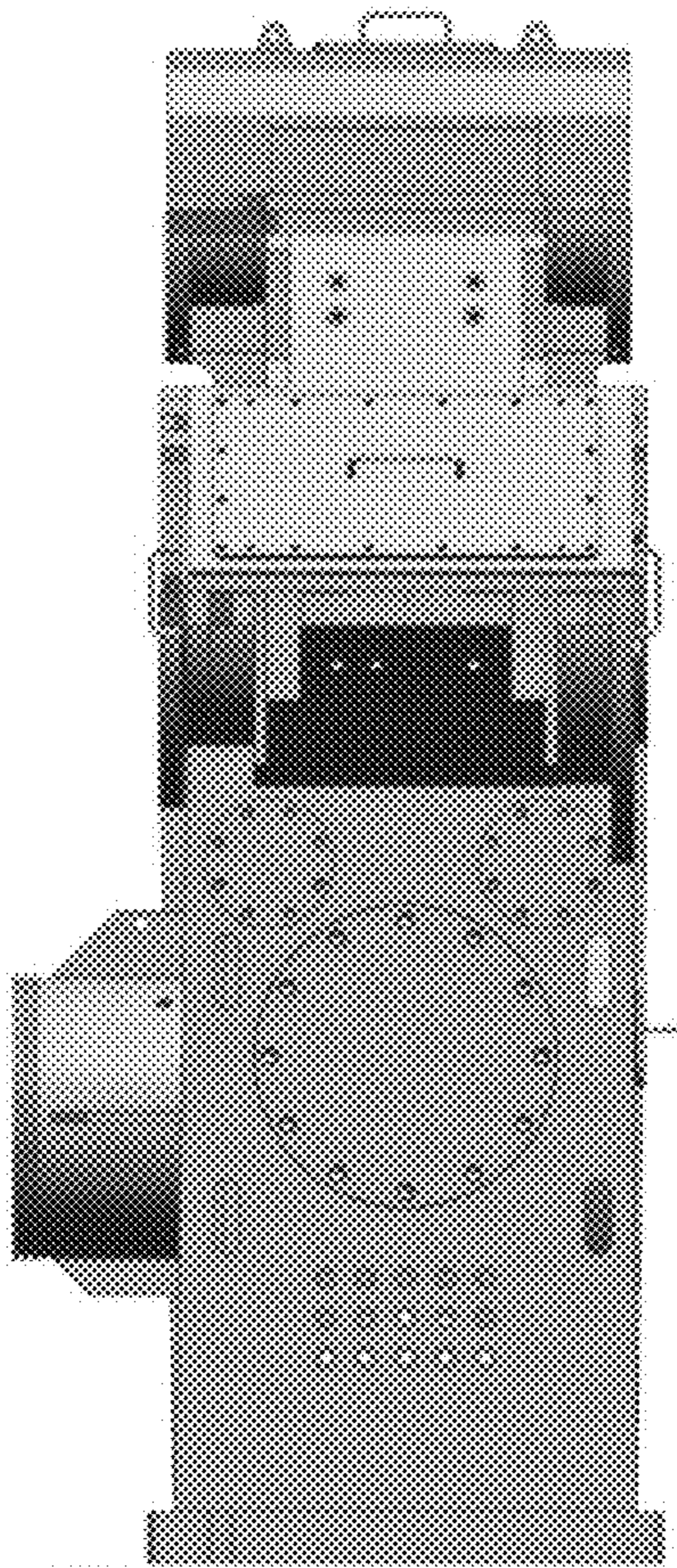
1.4



1.5



1.6



1.7

