



US00D842341S

(12) **United States Design Patent**
Shin et al.

(10) **Patent No.:** **US D842,341 S**

(45) **Date of Patent:** **** Mar. 5, 2019**

- (54) **COMPRESSOR FOR VEHICLES**
- (71) Applicant: **HANON SYSTEMS**, Daejeon (KR)
- (72) Inventors: **In Cheol Shin**, Daejeon (KR); **Chi Myeong Moon**, Daejeon (KR); **Hyun Jun Park**, Daejeon (KR); **Hyun Seong Ahn**, Daejeon (KR); **Kweon Soo Lim**, Daejeon (KR); **Soo Cheol Jeong**, Daejeon (KR)
- (73) Assignee: **HANON SYSTEMS**, Daejeon (KR)

D695,789 S *	12/2013	Nam	D15/9
D710,395 S *	8/2014	Park	D15/9
D710,905 S *	8/2014	Park	D15/9
D710,906 S *	8/2014	Park	D15/9
D710,907 S *	8/2014	Lim	D15/9
D710,908 S *	8/2014	Son	D15/9
D710,909 S *	8/2014	Kim	D15/9
D715,326 S *	10/2014	Lim	D15/9
D715,327 S *	10/2014	Lim	D15/9
D715,328 S *	10/2014	Kim	D15/9
D719,979 S *	12/2014	Son	D15/9
D720,778 S *	1/2015	Lim	D15/9
D723,067 S *	2/2015	Lim	D15/9
D732,085 S *	6/2015	Park	D15/9

(Continued)

(**) Term: **15 Years**

Primary Examiner — Ralf Seifert

(21) Appl. No.: **29/611,609**

(74) *Attorney, Agent, or Firm* — Dickinson Wright PLLC

(22) Filed: **Jul. 24, 2017**

(57) **CLAIM**

(30) **Foreign Application Priority Data**

We claim the ornamental design for a compressor for vehicles, as shown herein.

Apr. 12, 2017 (KR) 30-2017-0016820

(51) **LOC (11) Cl.** **15-02**

(52) **U.S. Cl.**
USPC **D15/9**

(58) **Field of Classification Search**
USPC D15/7-9; D23/231, 232, 225; 417/60, 417/235, 265, 321, 355, 358, 363, 359, 417/410.1, 415-416, 405, 900, 231, 313, 417/273, 539; 60/408, 412; 184/26-37; 415/140-147; 123/495, 509; 418/259
CPC F01D 5/14; F01D 5/12; F01D 5/04; F02B 33/40; F04D 29/42
See application file for complete search history.

DESCRIPTION

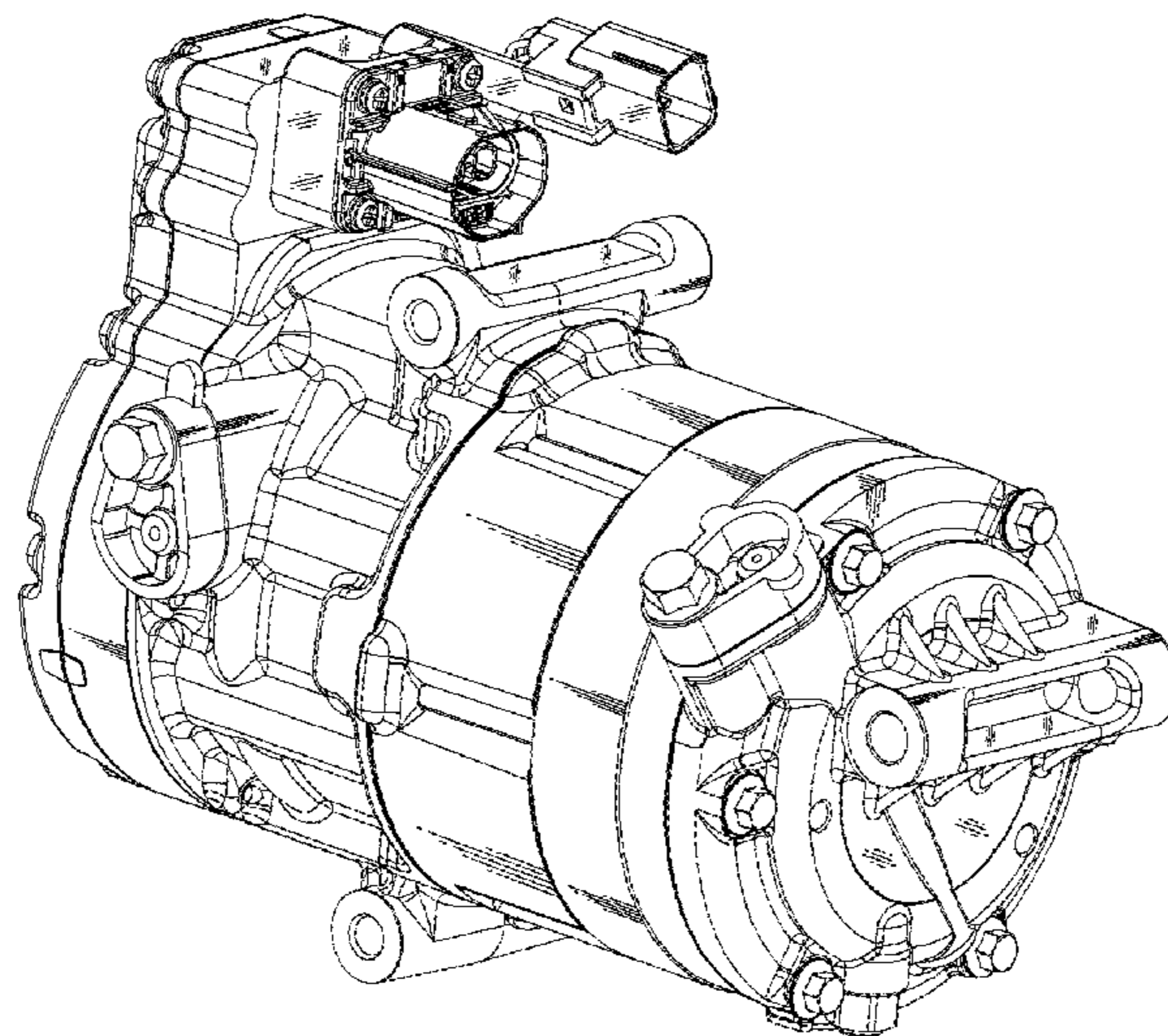
(56) **References Cited**

U.S. PATENT DOCUMENTS

D440,232 S *	4/2001	Kou	D15/9
D441,378 S *	5/2001	Kou	D15/9
D537,843 S *	3/2007	Chu	D15/9
D624,095 S *	9/2010	Chu	D15/9

FIG. 1 illustrates the overall form of a compressor for vehicles according to the present design;
 FIG. 2 is a front view of the compressor for vehicles according to the present design;
 FIG. 3 is a rear view of the compressor for vehicles according to the present design;
 FIG. 4 is a left side view of the compressor for vehicles according to the present design;
 FIG. 5 is a right side view of the compressor for vehicles according to the present design;
 FIG. 6 is a plan view of the compressor for vehicles according to the present design; and,
 FIG. 7 is a bottom view of the compressor for vehicles according to the present design.
 The broken lines are included for the purpose of illustrating portions of the compressor for vehicles that form no part of the claimed design.

1 Claim, 7 Drawing Sheets



(56)

References Cited

U.S. PATENT DOCUMENTS

D735,244 S * 7/2015 Jeong D15/9
D770,538 S * 11/2016 Li D15/9

* cited by examiner

Fig. 1

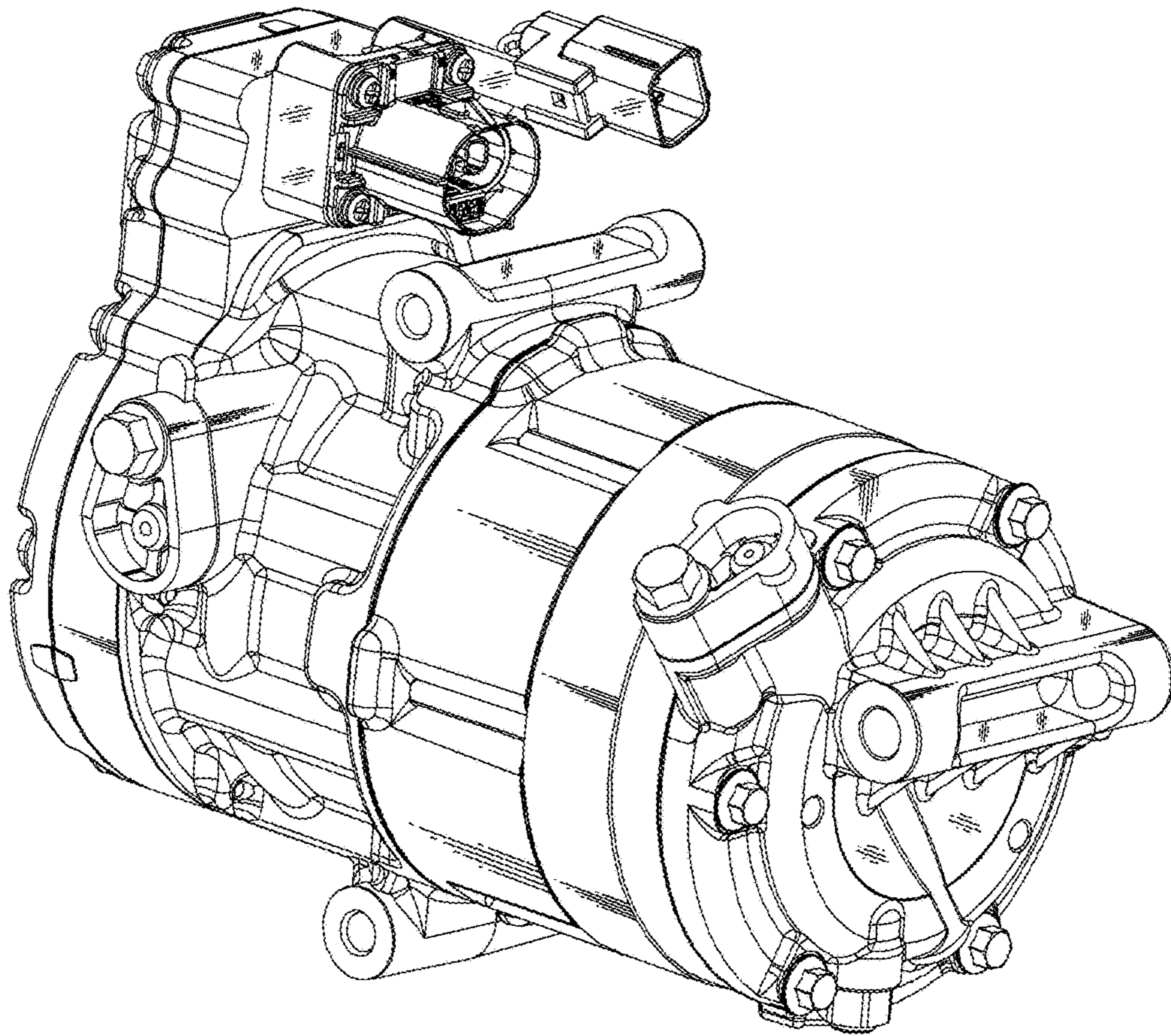


Fig. 2

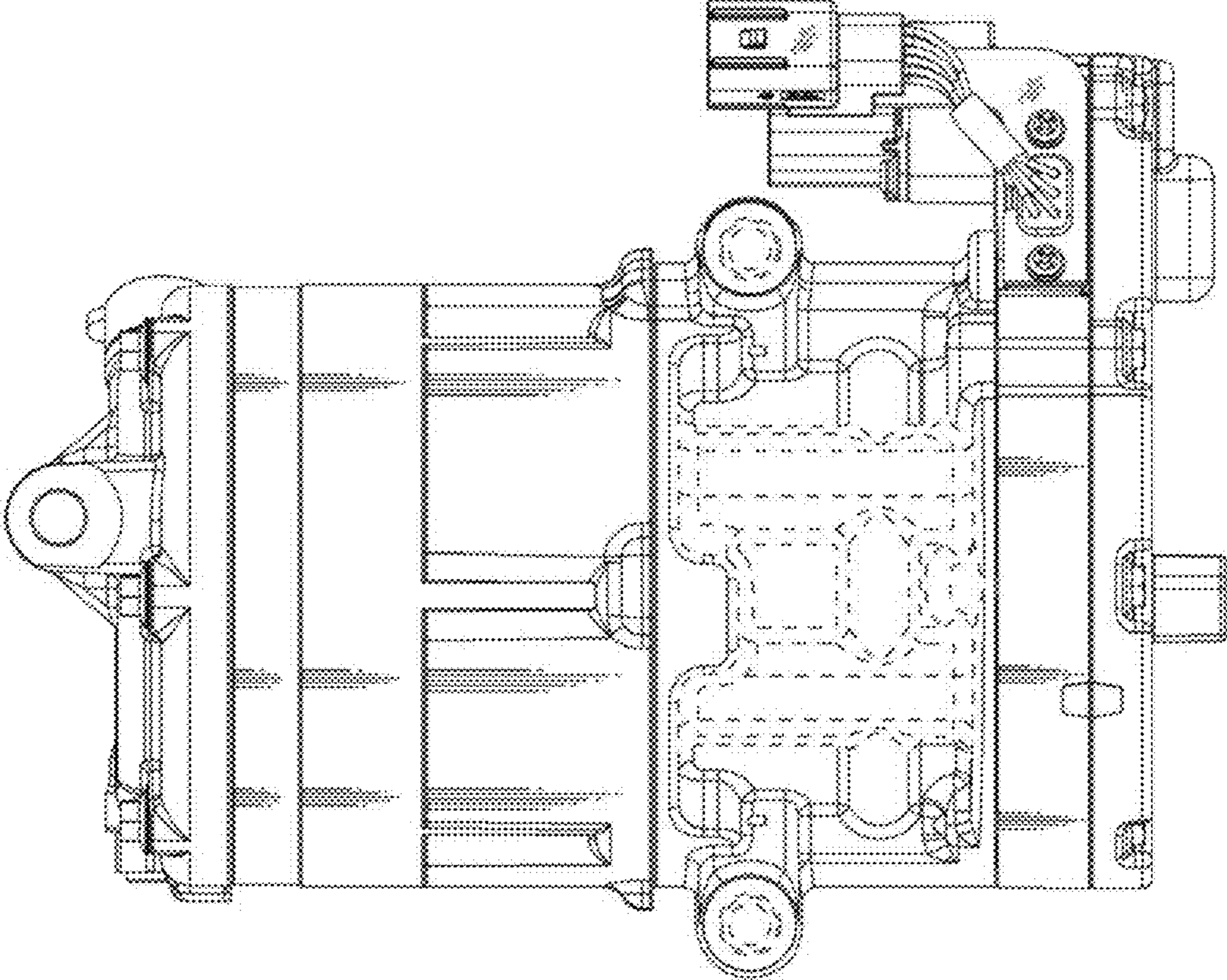


Fig. 3

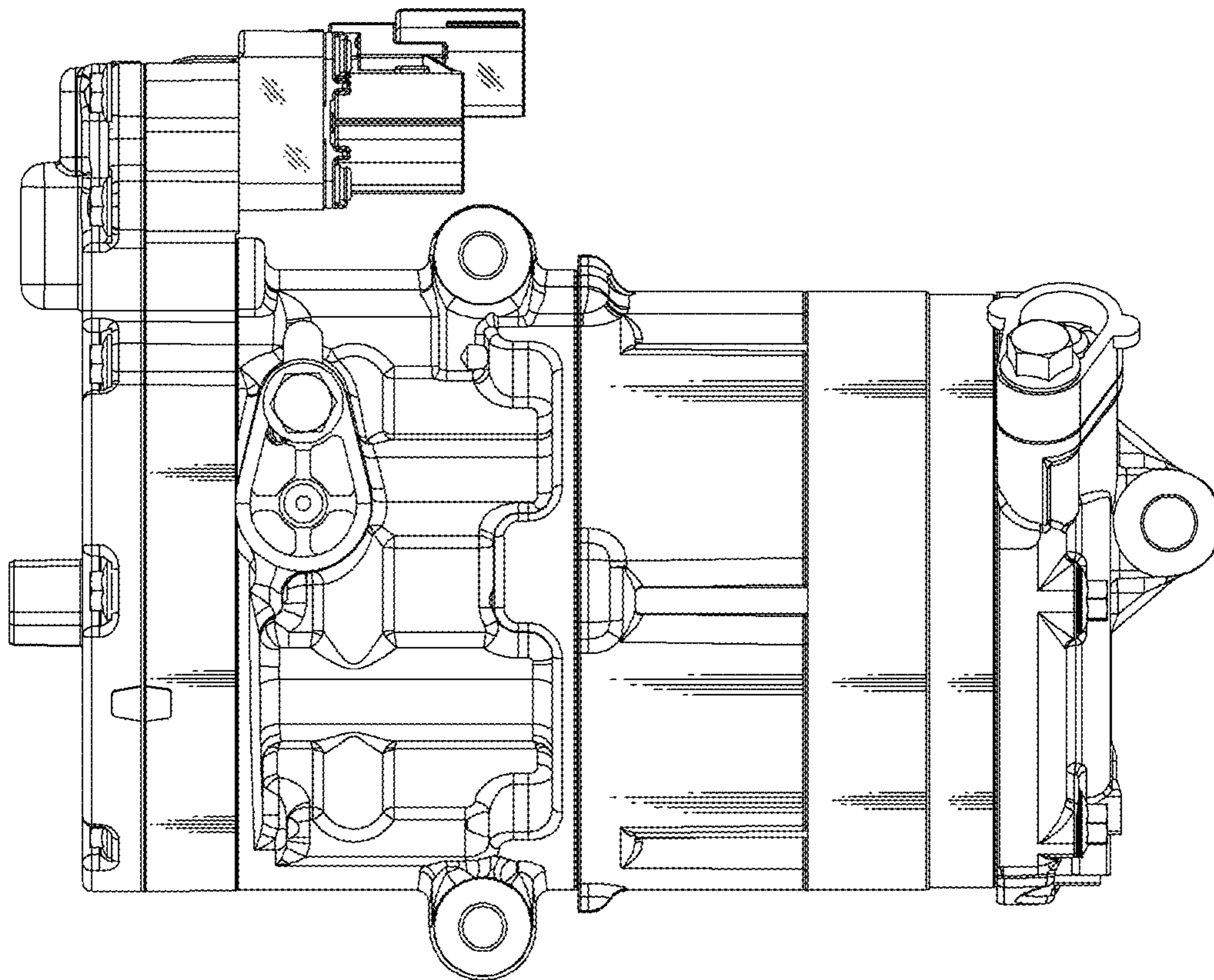


Fig. 4

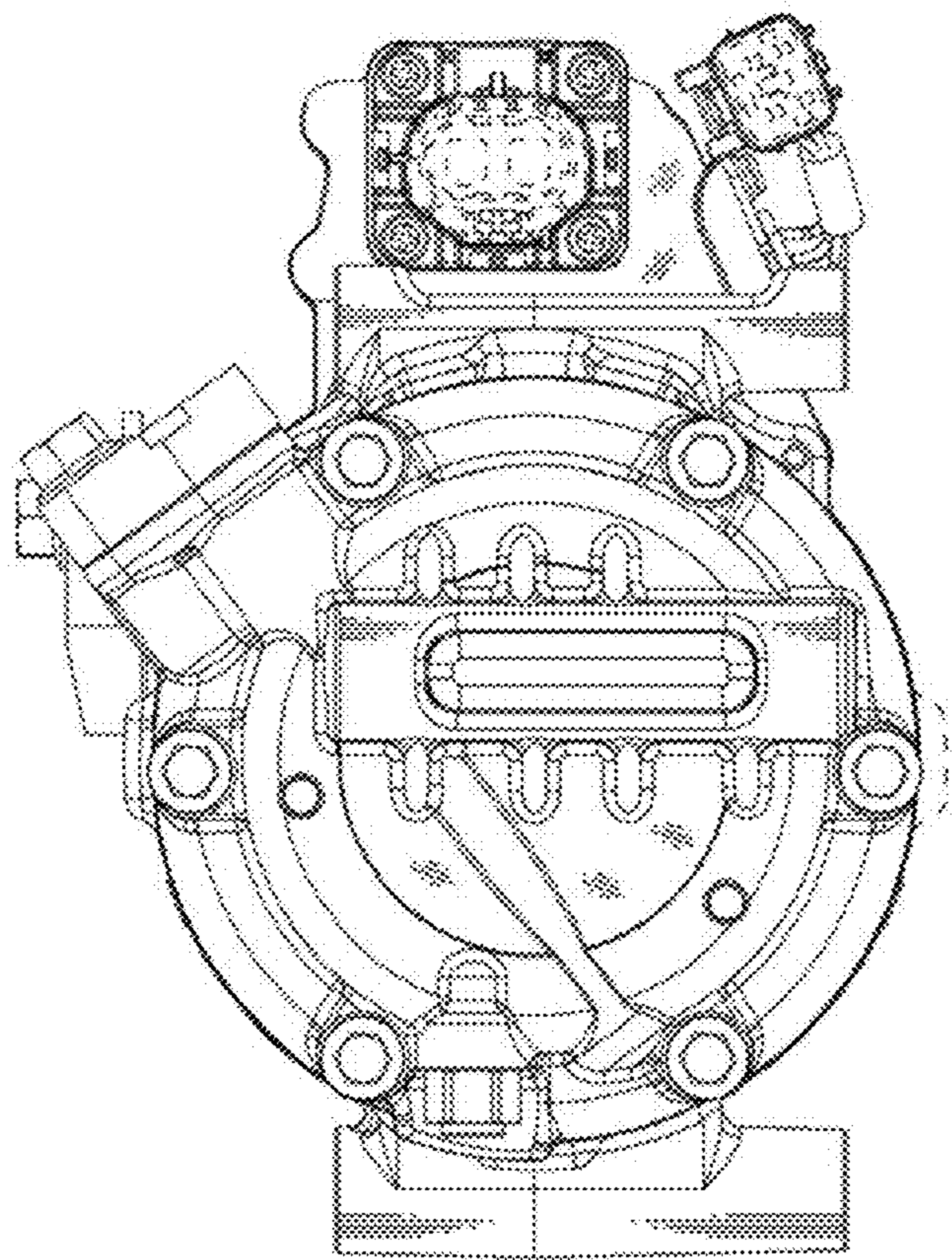


Fig. 5

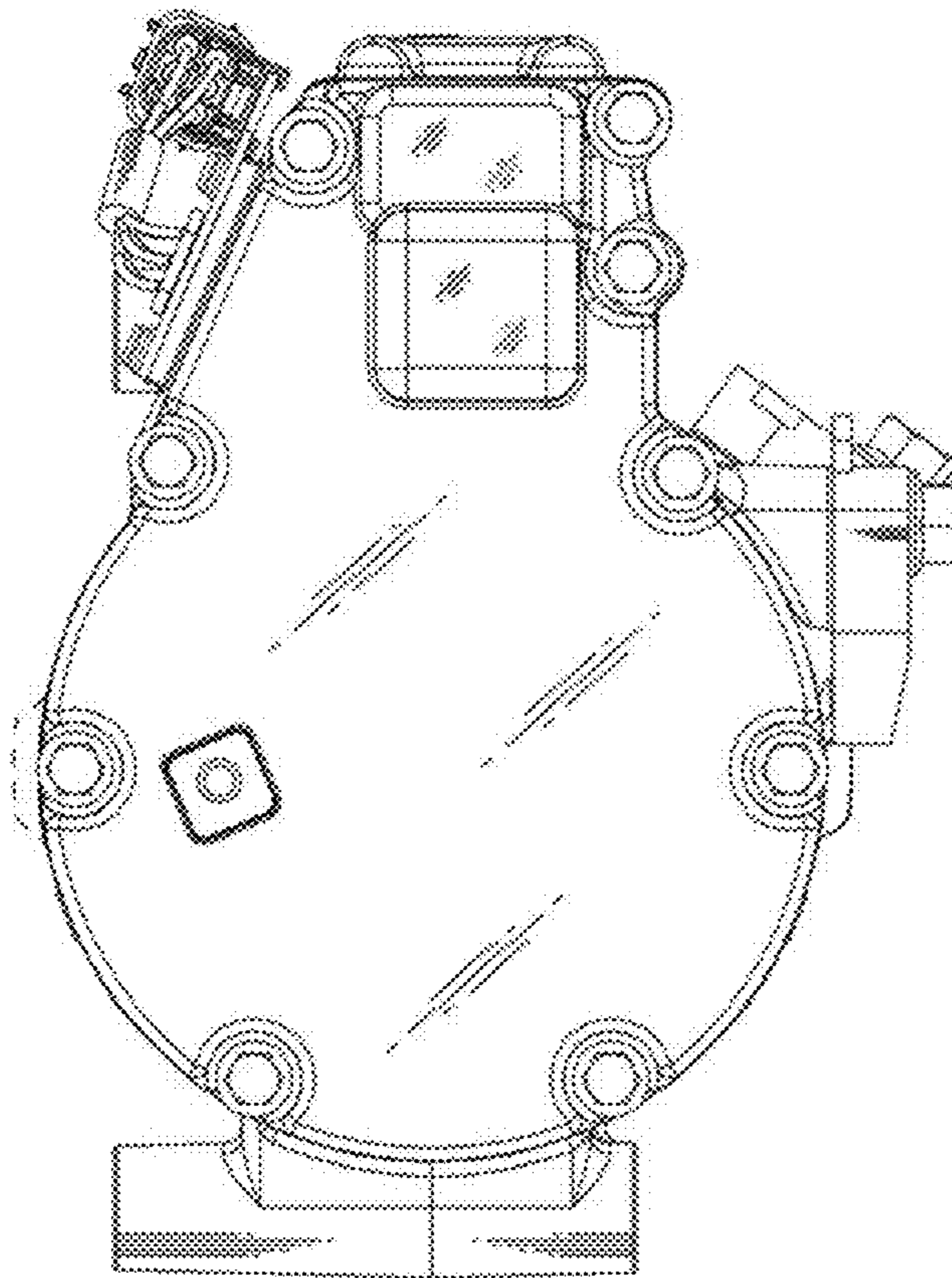


Fig. 6

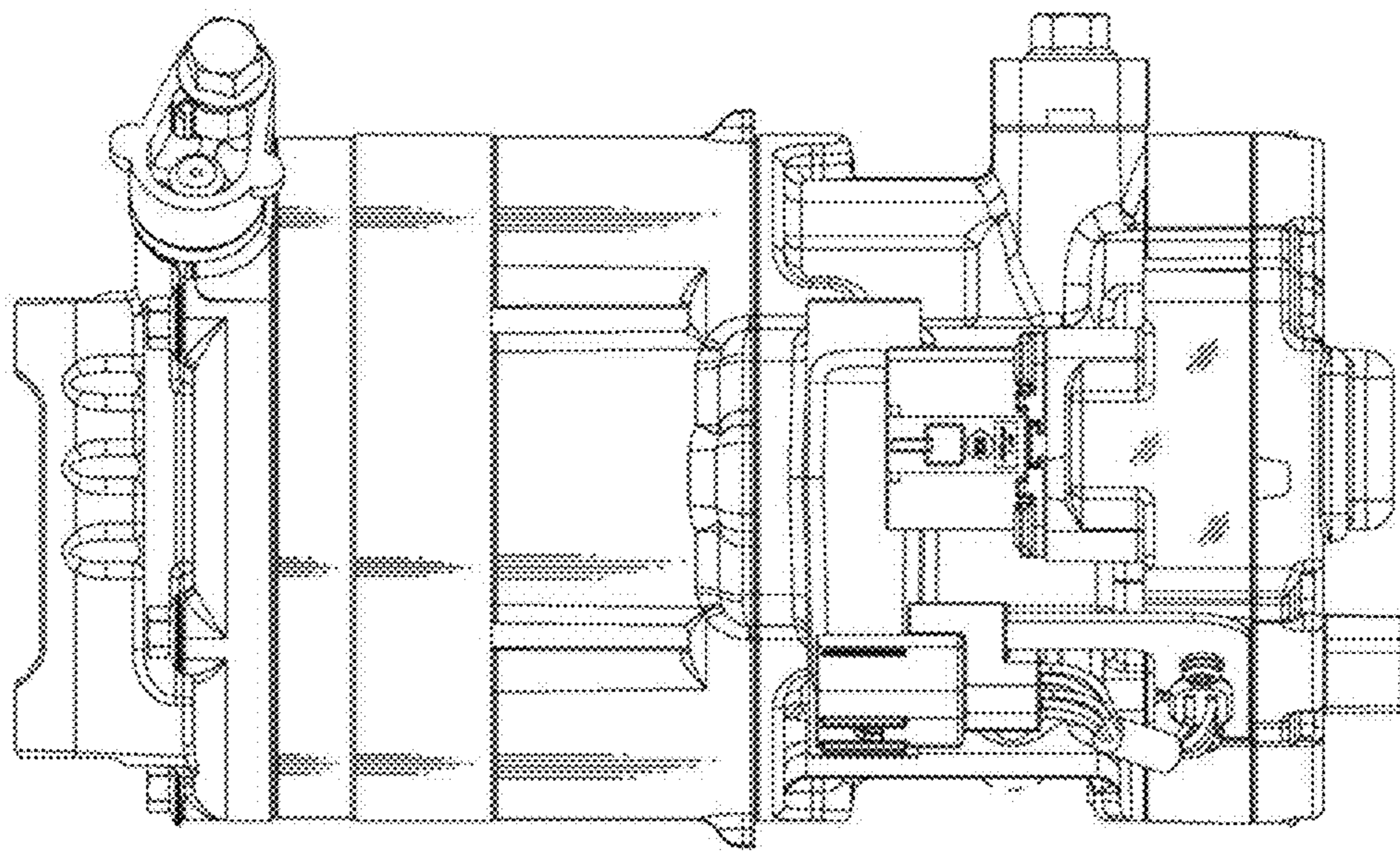


Fig. 7

