



US00D842340S

(12) **United States Design Patent**
Kuang

(10) **Patent No.:** **US D842,340 S**

(45) **Date of Patent:** **** Mar. 5, 2019**

(54) **AIR PUMP**

(71) Applicant: **Guangzhou Antu Electric Co., Ltd.**,
Guangzhou, Guangdong (CN)

(72) Inventor: **Xinhua Kuang**, Guangdong (CN)

(73) Assignee: **GUANGZHOU ANTU ELECTRIC**
CO., LTD., Guangzhou (CN)

(**) Term: **15 Years**

(21) Appl. No.: **29/622,002**

(22) Filed: **Oct. 13, 2017**

(30) **Foreign Application Priority Data**

Jul. 18, 2017 (CN) 2017 3 0316478

(51) **LOC (11) Cl.** **15-02**

(52) **U.S. Cl.**
USPC **D15/7**

(58) **Field of Classification Search**

USPC D15/7-9; D23/231, 232, 225; 417/60,
417/235, 265, 321, 355, 358, 363, 359,
417/410.1, 415-416, 405, 900, 269, 539;
60/408, 412; 184/26-37; 415/140-147;
123/495, 509; 137/565.34

CPC F02M 37/04; F02M 37/14; F04B 53/92;
F04B 1/005; F04D 13/06; F04D 29/22;
F04D 29/046; F04D 29/2266

See application file for complete search history.

(56) **References Cited**

U.S. PATENT DOCUMENTS

4,842,498 A * 6/1989 Bramstedt F04B 45/04
417/413.1
D377,938 S * 2/1997 Rozek D15/9

D377,967 S * 2/1997 Rozek D15/9
5,890,879 A * 4/1999 Rozek F02B 63/06
417/363
D438,875 S * 3/2001 Rozek D15/7
D450,327 S * 11/2001 Mori D15/7
D464,063 S * 10/2002 Thomas, Jr. D15/9
D516,093 S * 2/2006 Hsiao D15/9
D559,974 S * 1/2008 Cheng D24/110
D660,320 S * 5/2012 Varini D15/7
D700,627 S * 3/2014 Desiron D15/9
D736,265 S * 8/2015 Walter D15/7
D765,147 S * 8/2016 Schaller D15/7
D807,924 S * 1/2018 Wilkie D15/7
D812,645 S * 3/2018 Sinico D15/7
D813,911 S * 3/2018 Luke D15/7
D815,152 S * 4/2018 Berry D15/7

* cited by examiner

Primary Examiner — Ralf Seifert

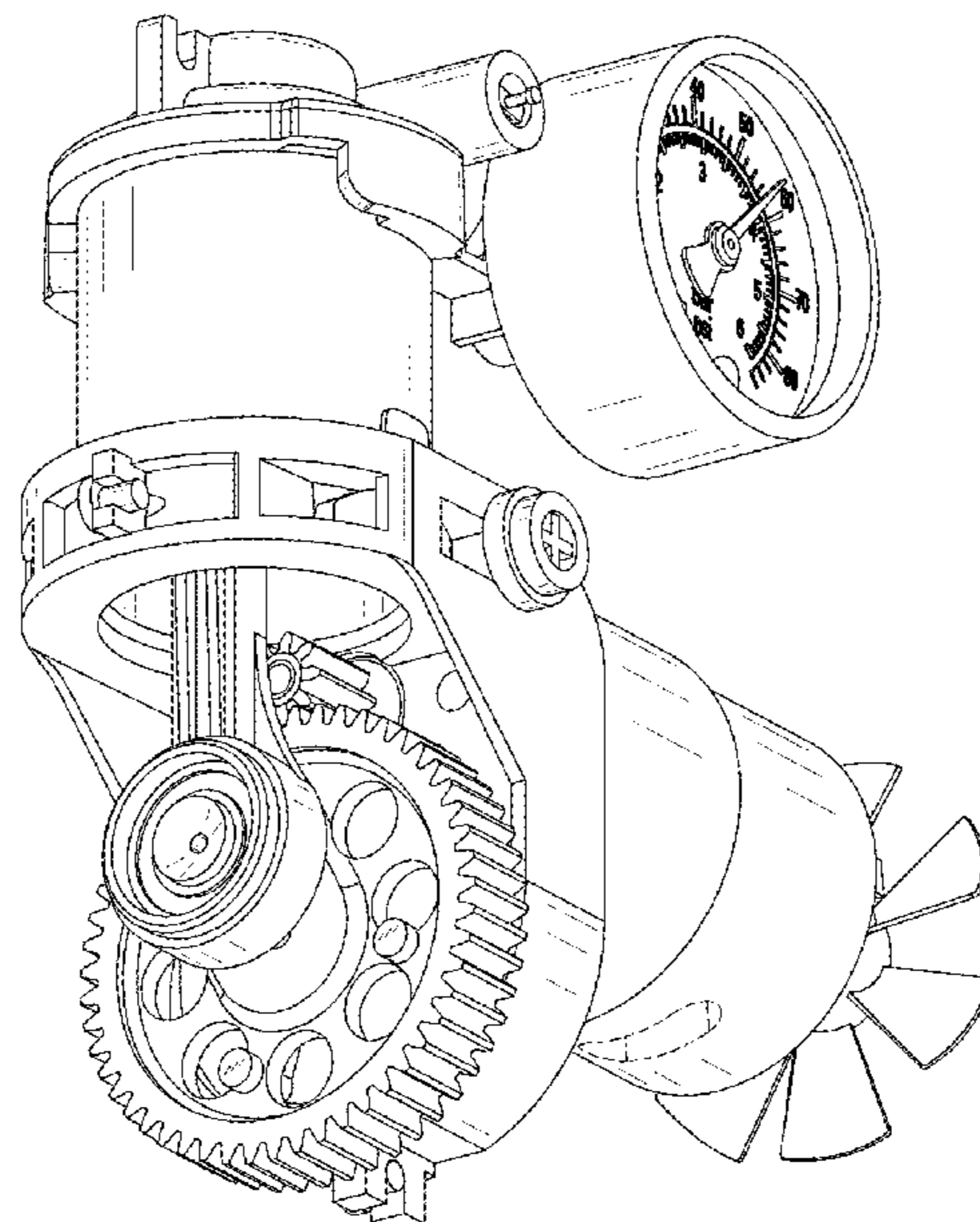
(57) **CLAIM**

The ornamental design for an air pump, as shown and described.

DESCRIPTION

FIG. 1 is a front elevational view of an air pump showing my new design;
FIG. 2 is a rear elevational view thereof;
FIG. 3 is a left side view thereof;
FIG. 4 is a right side view thereof;
FIG. 5 is a top plan view thereof;
FIG. 6 is a bottom plan view thereof;
FIG. 7 is a first perspective view thereof; and,
FIG. 8 is a second perspective view thereof.

1 Claim, 8 Drawing Sheets



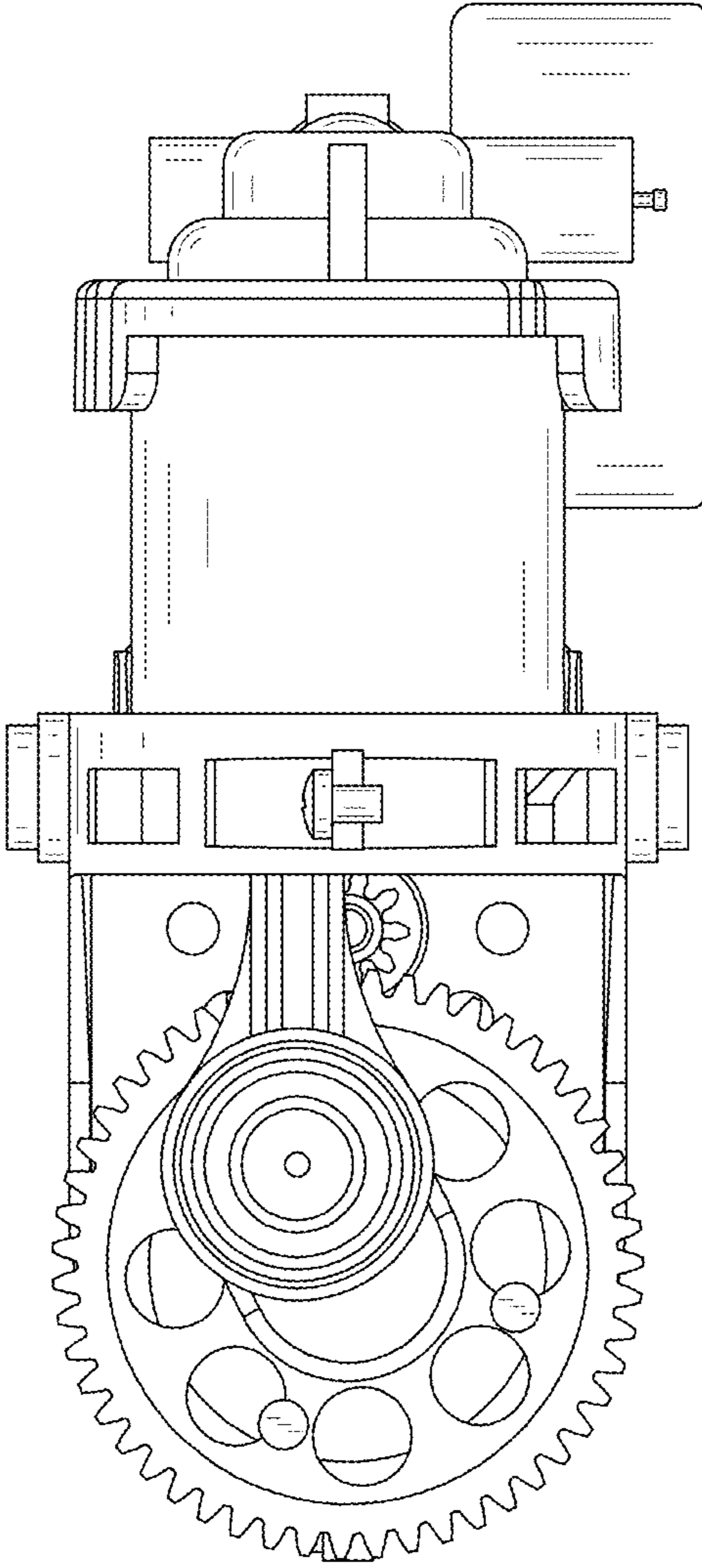


FIG.1

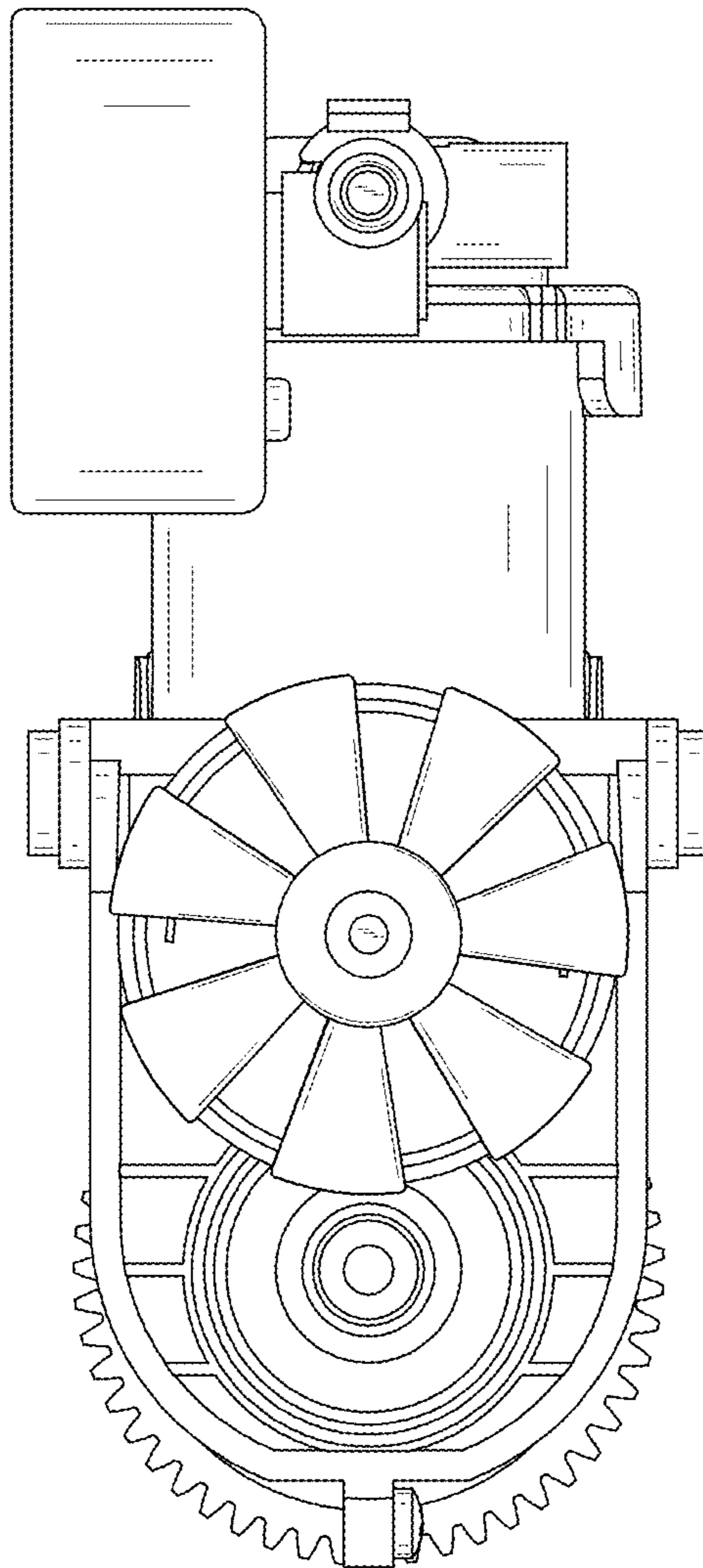


FIG.2

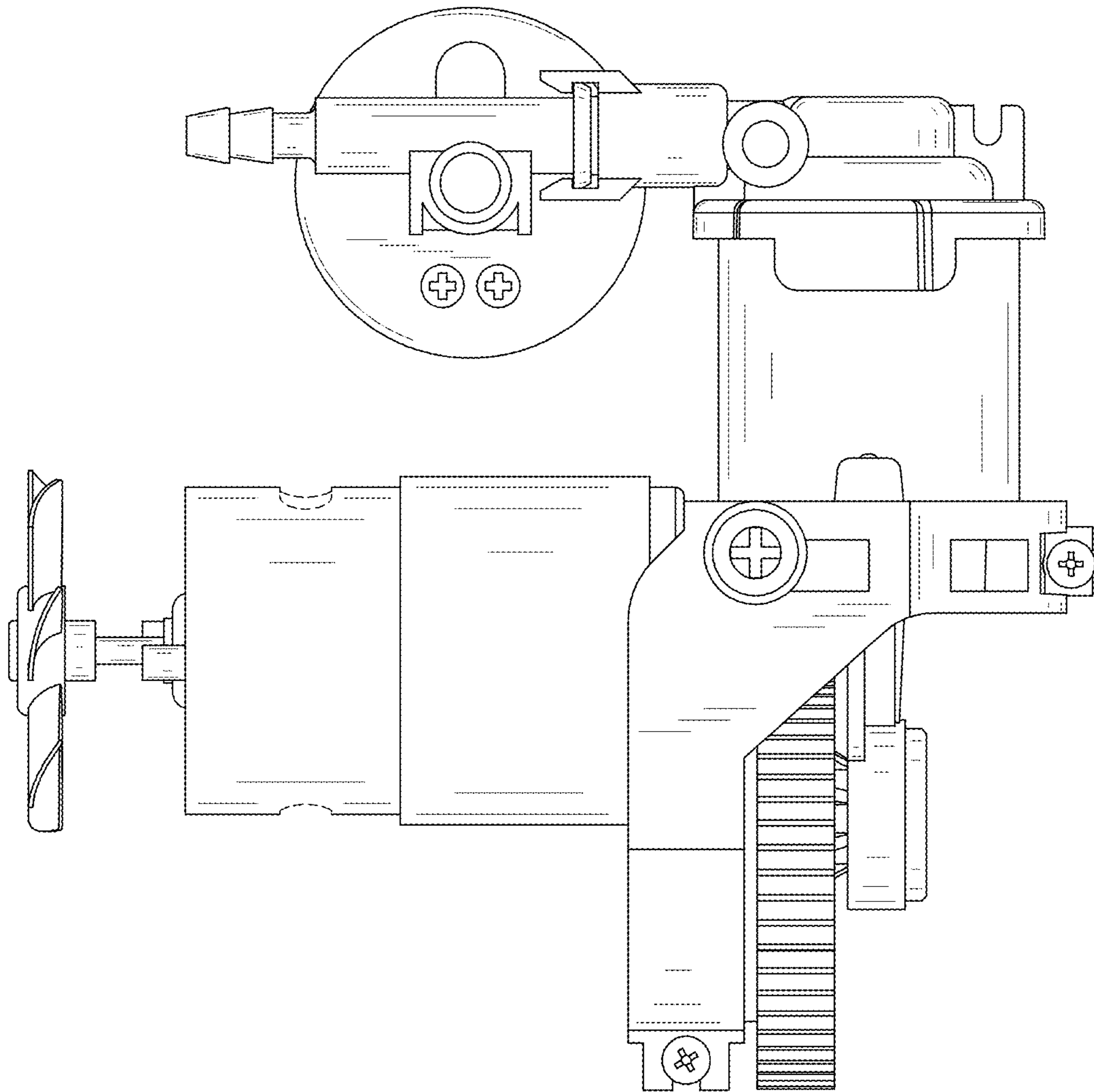


FIG.3

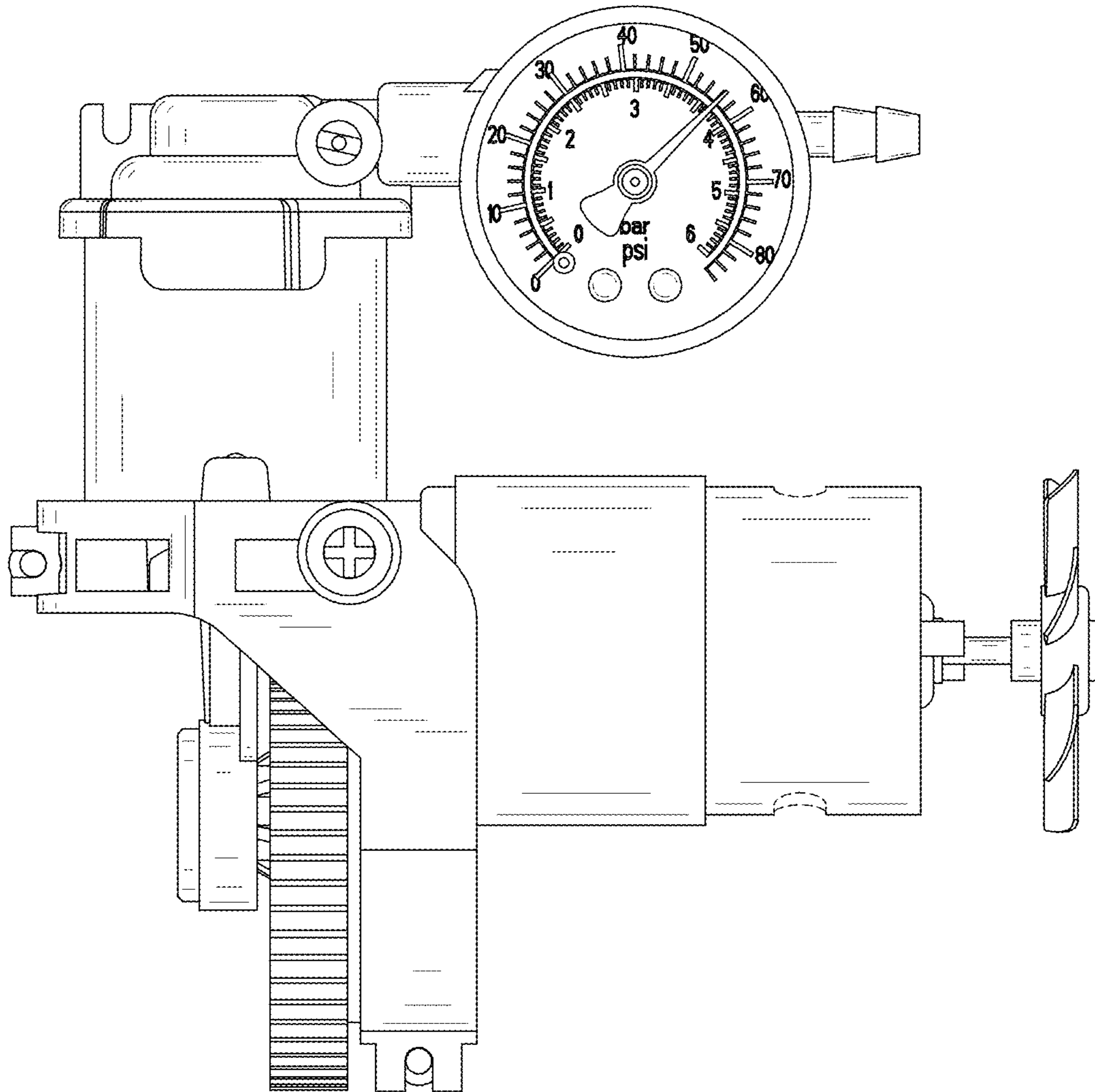


FIG.4

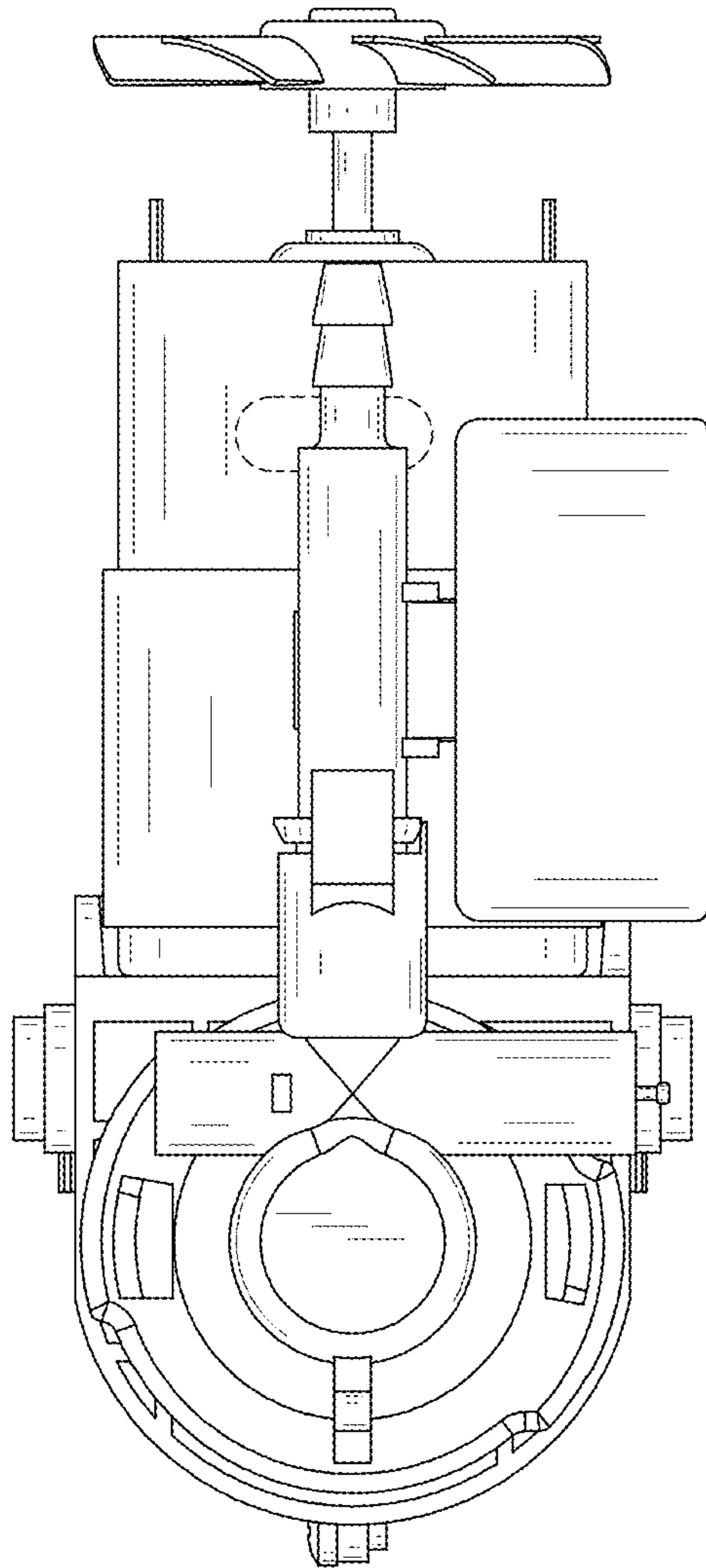


FIG. 5

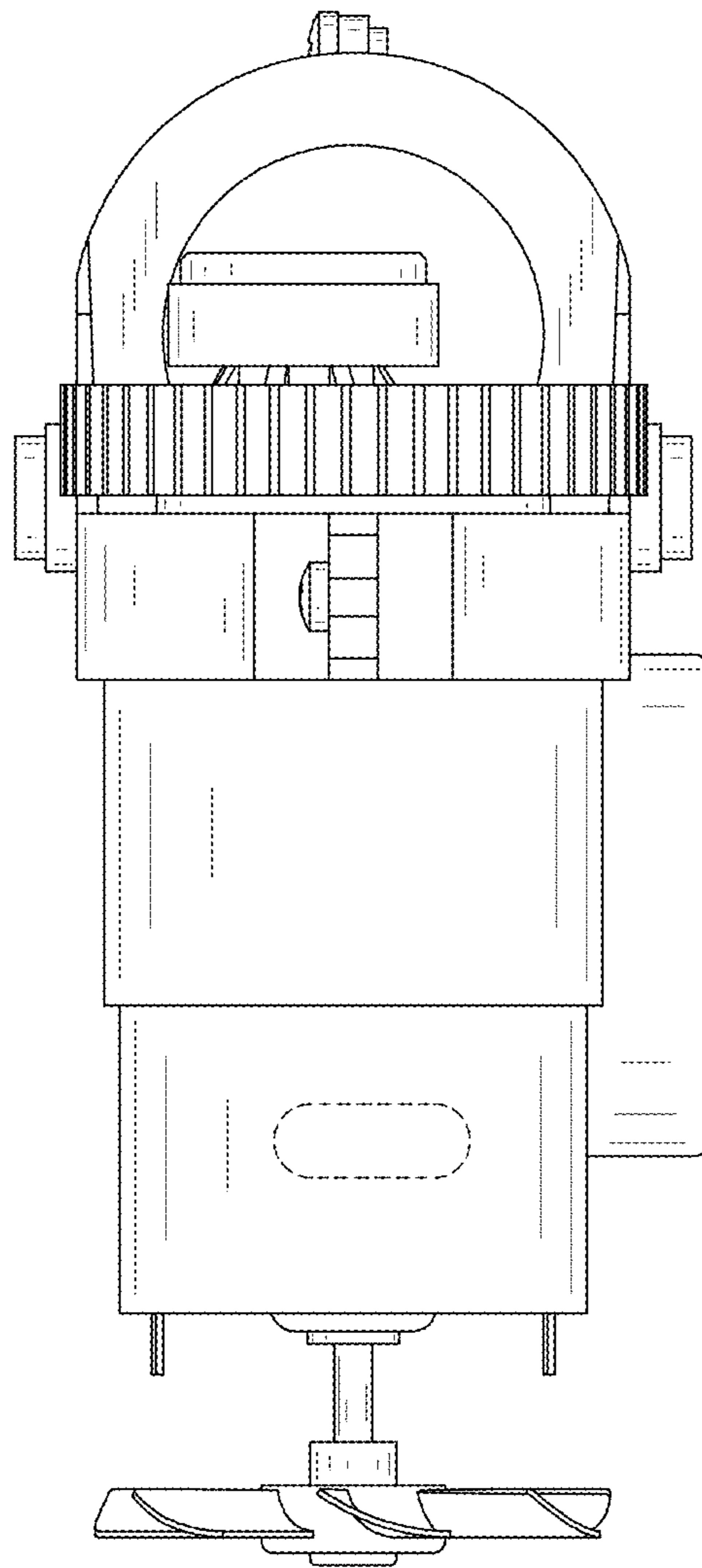


FIG.6

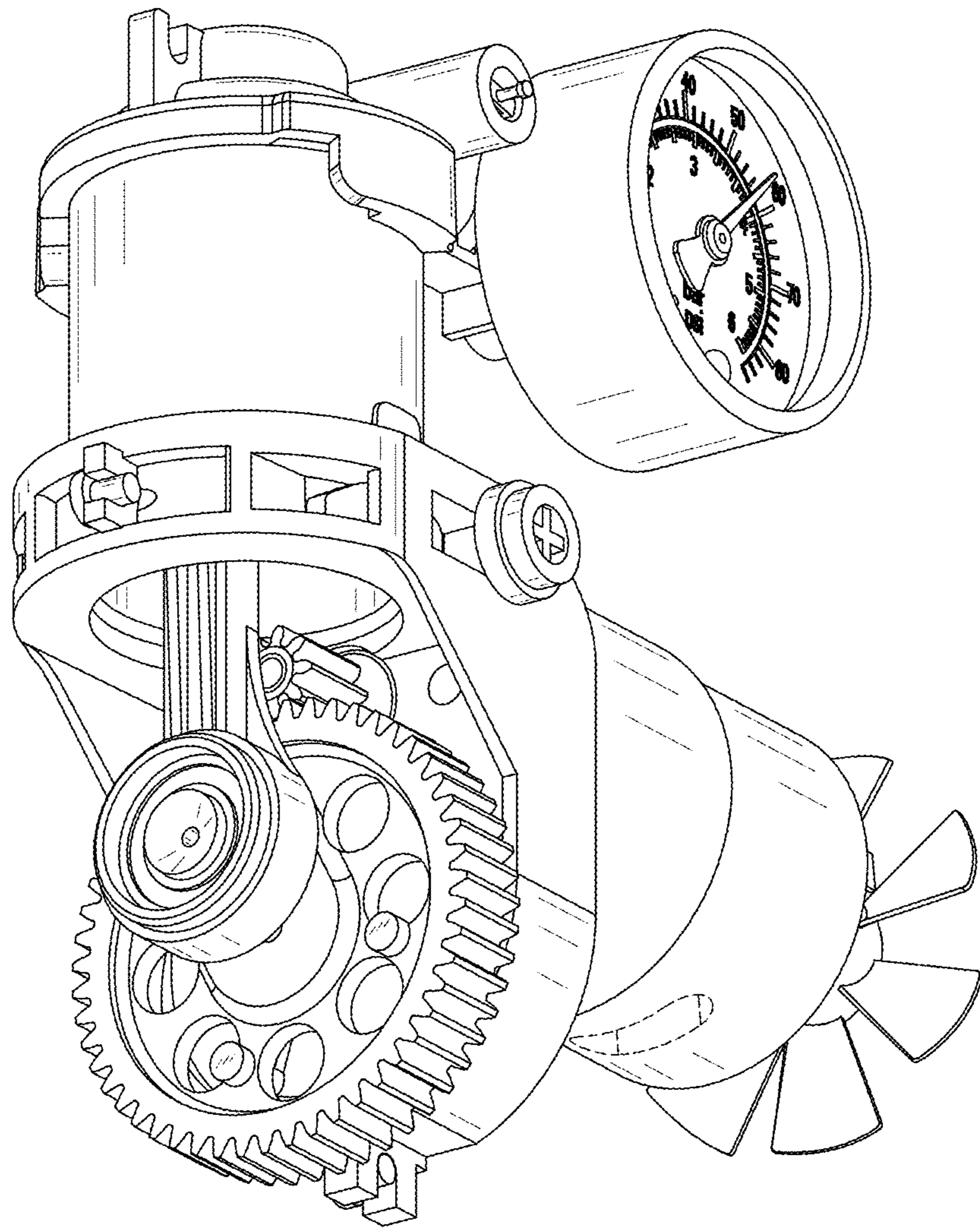


FIG.7

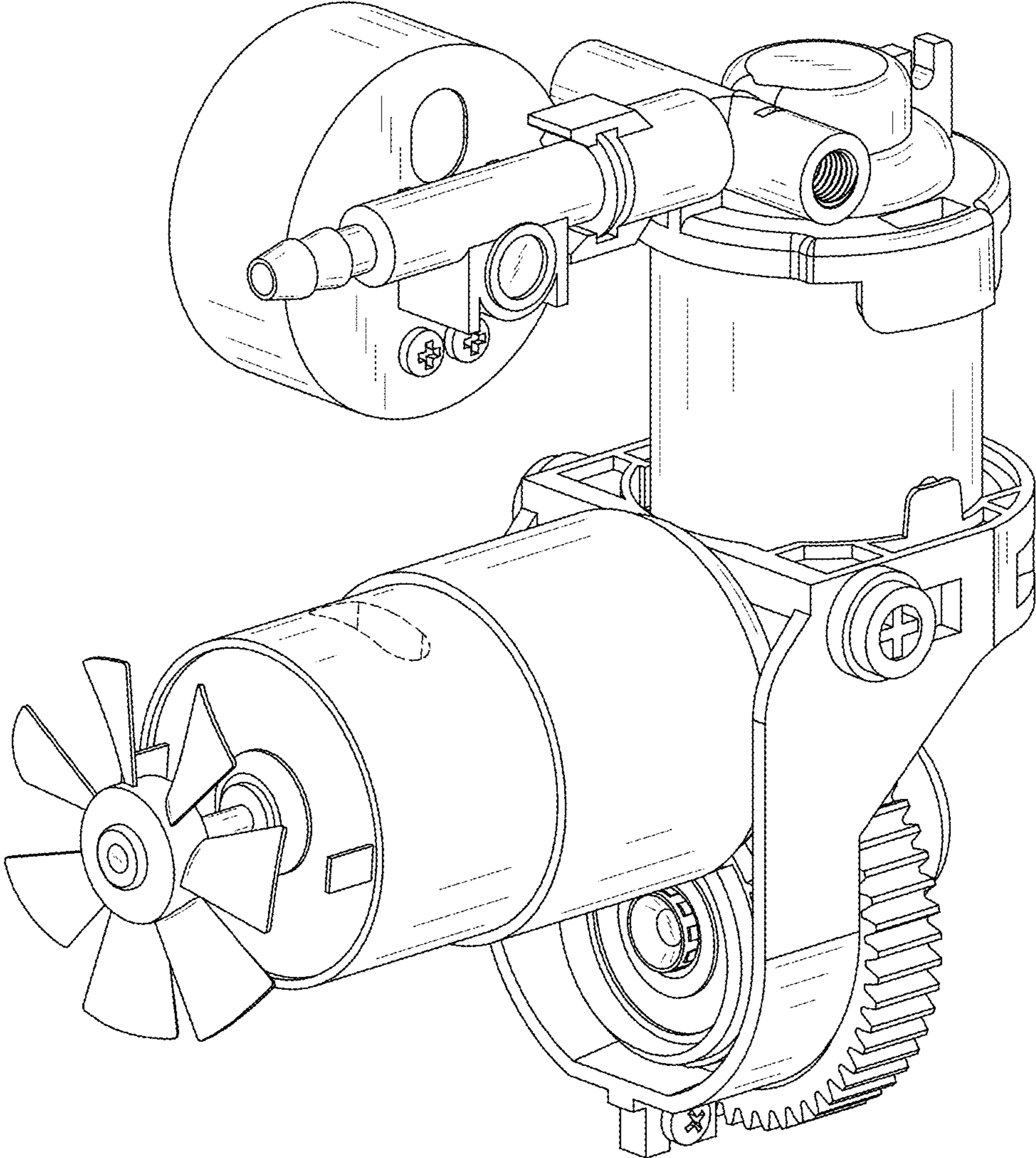


FIG.8