



US00D842339S

(12) **United States Design Patent**
Bao et al.

(10) **Patent No.:** **US D842,339 S**
(45) **Date of Patent:** **** Mar. 5, 2019**

- (54) **ELECTRICALLY DRIVEN PUMP**
- (71) Applicant: **Hangzhou Sanhua Research Institute Co., Ltd.**, Hangzhou, Zhejiang (CN)
- (72) Inventors: **Junfeng Bao**, Zhejiang (CN); **Jieqiang Liu**, Zhejiang (CN)
- (73) Assignee: **Hangzhou Sanhua Research Institute Co., Ltd.**, Hangzhou, Zhejiang (CN)
- (**) Term: **15 Years**
- (21) Appl. No.: **29/613,044**
- (22) Filed: **Aug. 7, 2017**
- (51) **LOC (11) Cl.** **15-02**
- (52) **U.S. Cl.**
USPC **D15/7**
- (58) **Field of Classification Search**
USPC D15/7-9; D23/231, 232, 225; 417/60, 417/235, 265, 321, 355, 358, 363, 359, 417/410.1, 415-416, 405, 900; 60/408, 60/412; 184/26-37; 415/131, 140-147; 123/495, 509; 137/565.34; 310/43
CPC F02M 37/04; F02M 37/14; E03F 5/22
See application file for complete search history.

- D804,536 S * 12/2017 Bao D15/7
- 2007/0247009 A1* 10/2007 Hoffman F04D 25/0606
310/51
- 2011/0115313 A1* 5/2011 Lee F04D 13/06
310/43
- 2013/0049493 A1* 2/2013 Zhao H02K 1/2773
310/43

* cited by examiner

Primary Examiner — Ralf Seifert

(74) *Attorney, Agent, or Firm* — Wolf, Greenfield & Sacks, P.C.

(57) **CLAIM**

The ornamental design for an electrically driven pump, as shown and described.

DESCRIPTION

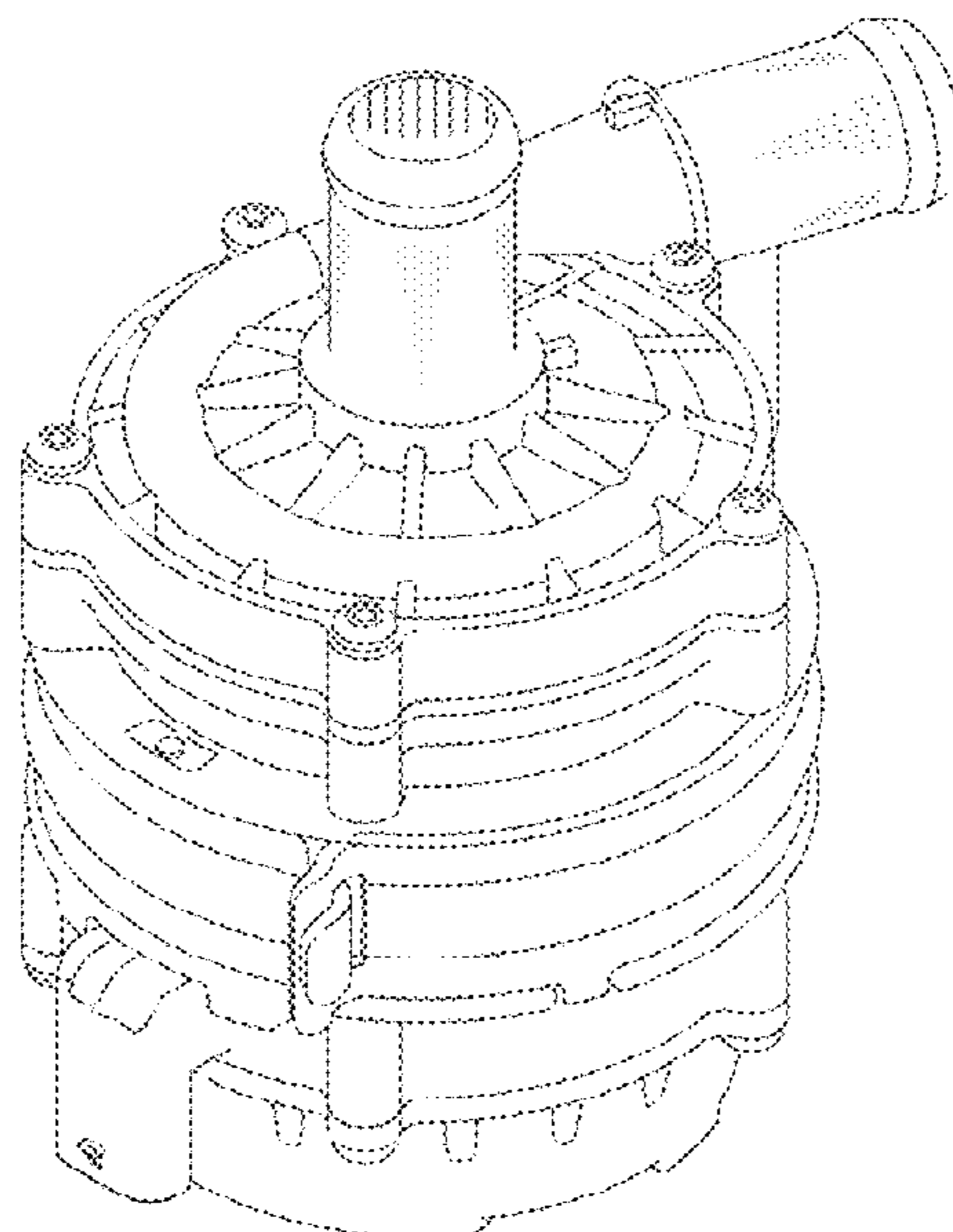
FIG. 1 is a front view of an electrically driven pump according to the present application;
 FIG. 2 is a rear view of the electrically driven pump according to the first embodiment of the present application;
 FIG. 3 is a left view of the electrically driven pump according to the first embodiment of the present application;
 FIG. 4 is a right view of the electrically driven pump according to the first embodiment of the present application;
 FIG. 5 is a top view of the electrically driven pump according to the first embodiment of the present application;
 FIG. 6 is a bottom view of the electrically driven pump according to the first embodiment of the present application;
 and,
 FIG. 7 is a perspective view of the electrically driven pump according to the first embodiment of the present application.
 The broken lines shown in the figures are portions of the electrically driven pump that form no part of the claimed design.

(56) **References Cited**

U.S. PATENT DOCUMENTS

- D559,269 S * 1/2008 Wu D15/7
- D604,331 S * 11/2009 Tokunaga D15/7
- D721,390 S * 1/2015 Walter D15/7
- D736,265 S * 8/2015 Walter D15/7
- D737,863 S * 9/2015 Singh D15/7
- D771,713 S * 11/2016 Ye D15/7
- D777,793 S * 1/2017 Singh D15/7

1 Claim, 7 Drawing Sheets



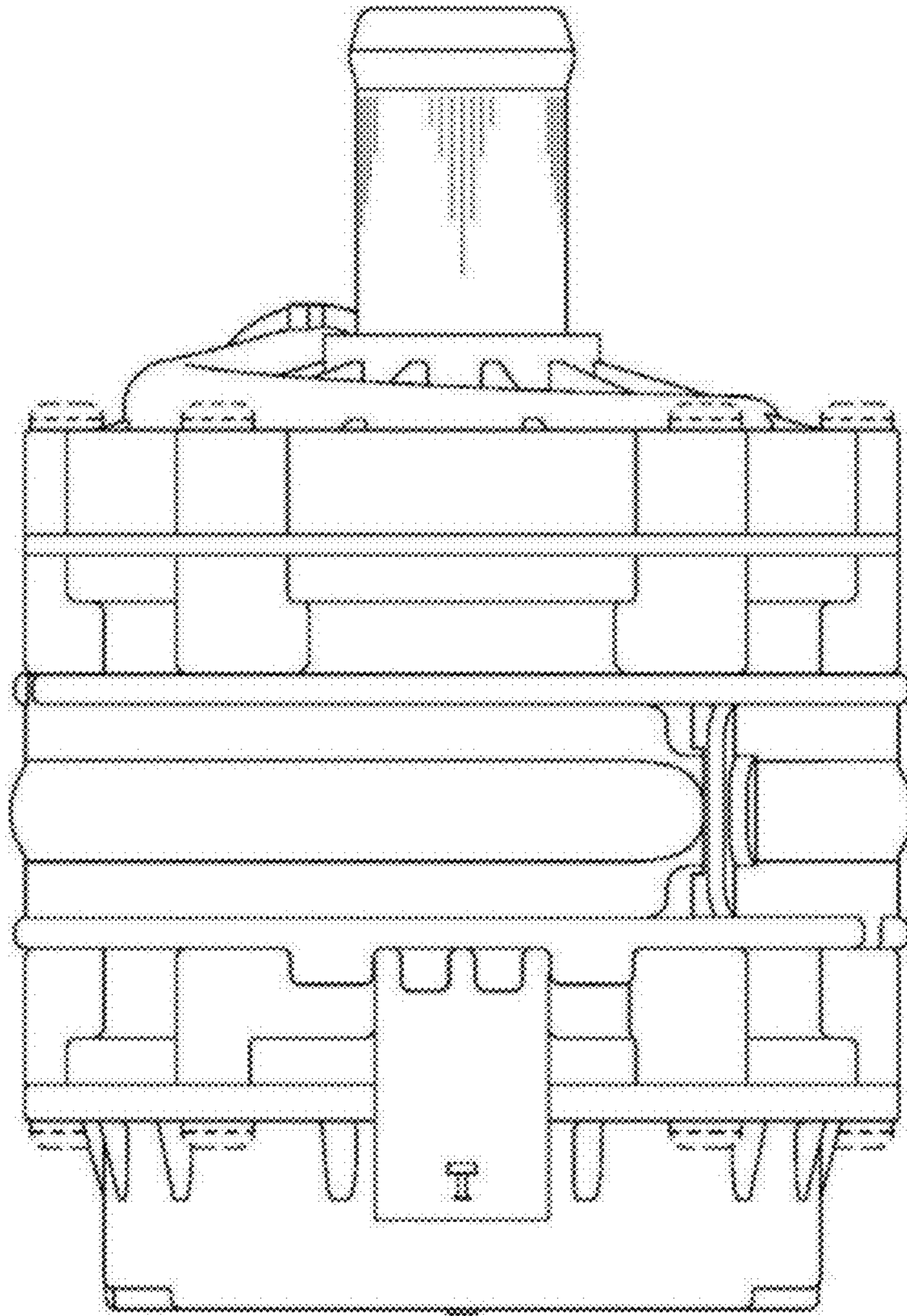


Figure 1

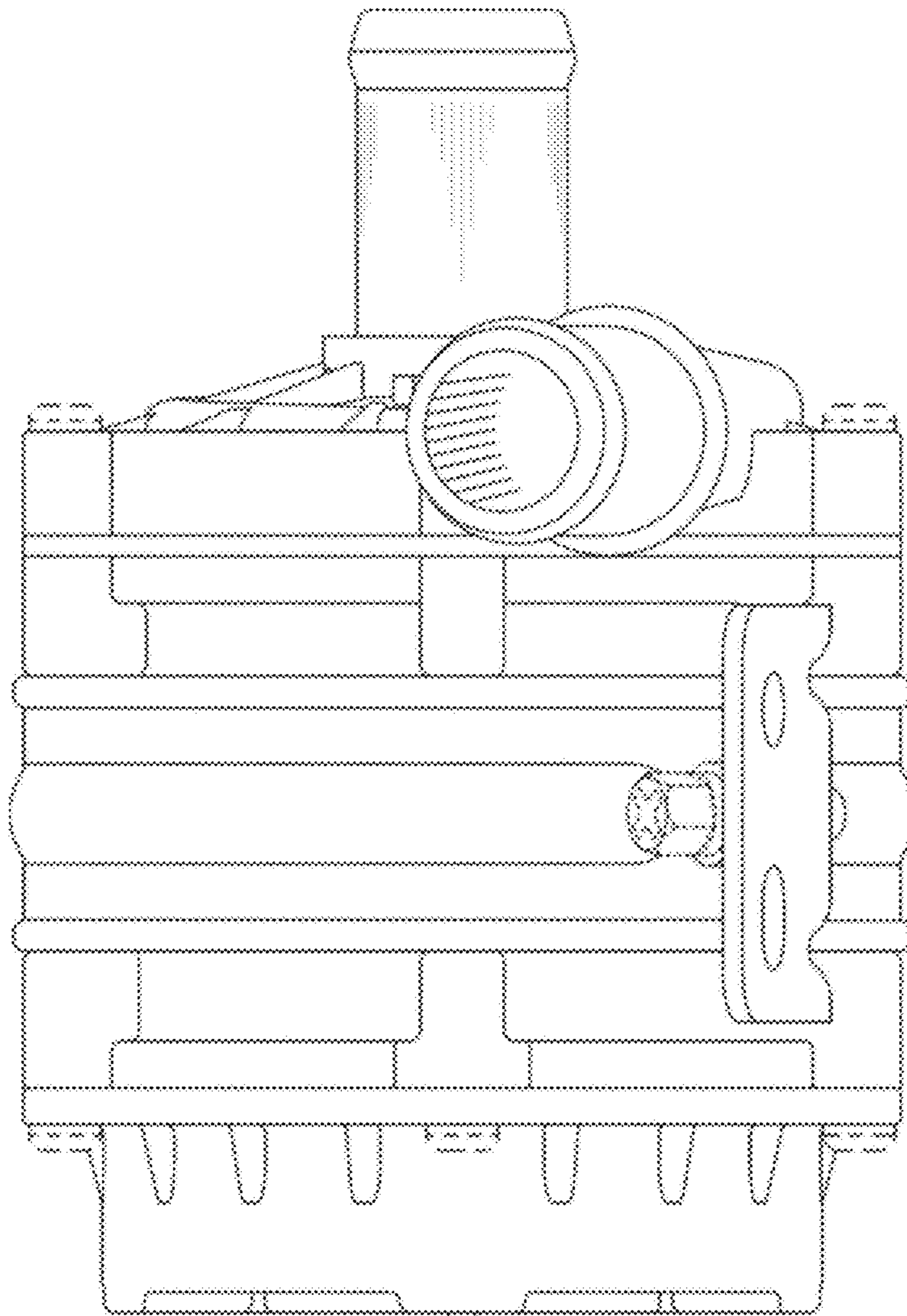


Figure 2

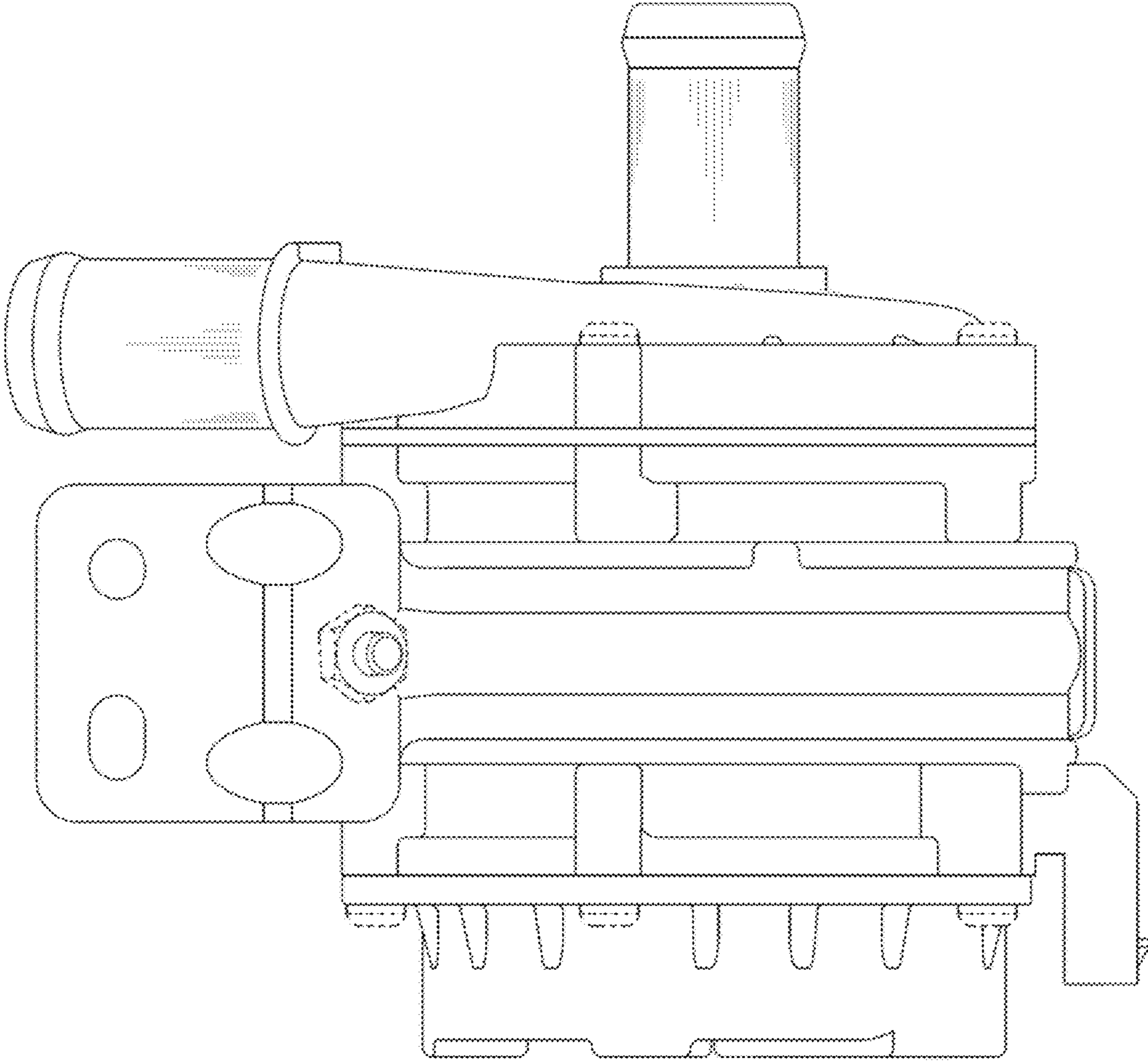


Figure 3

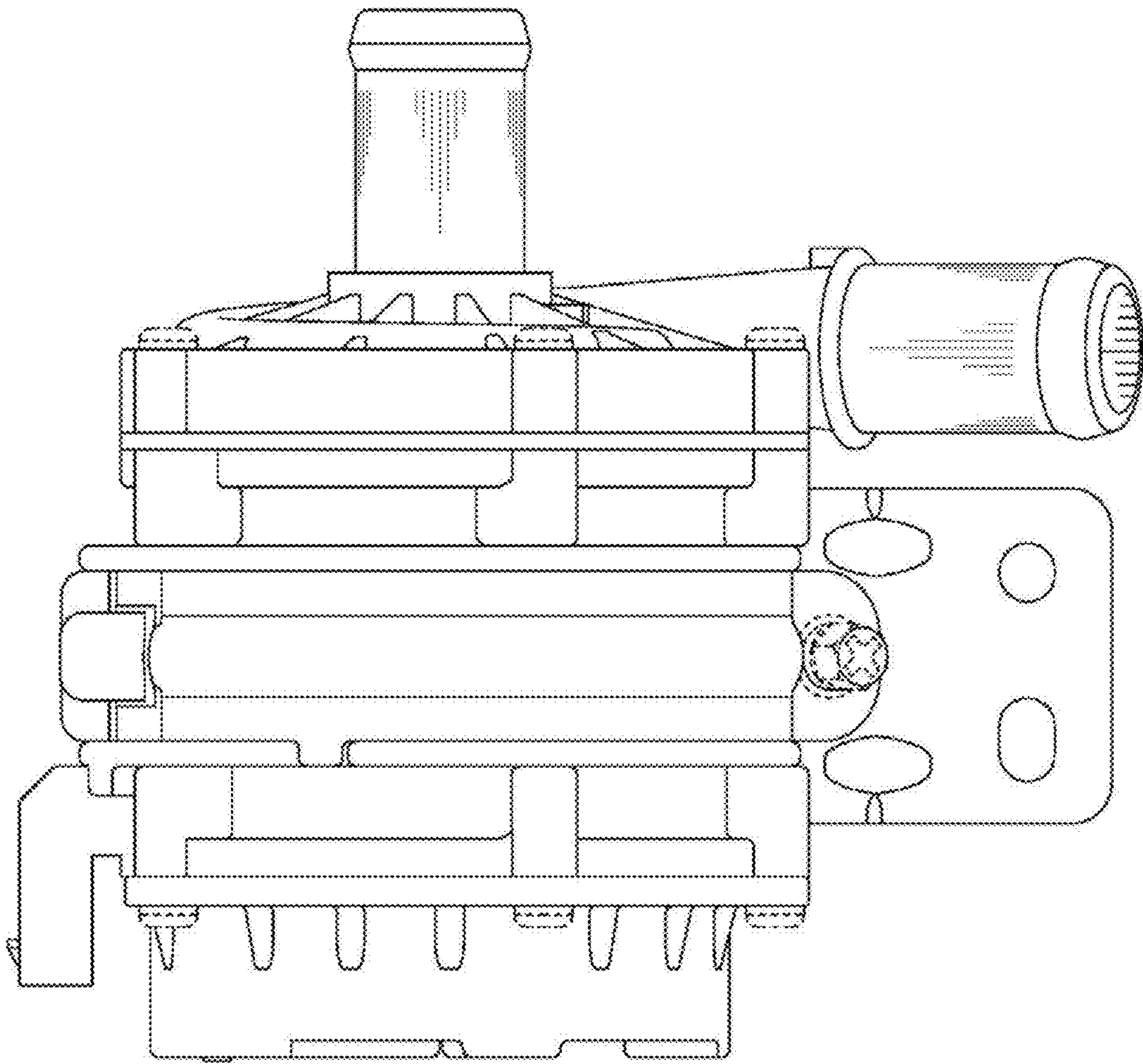


Figure 4

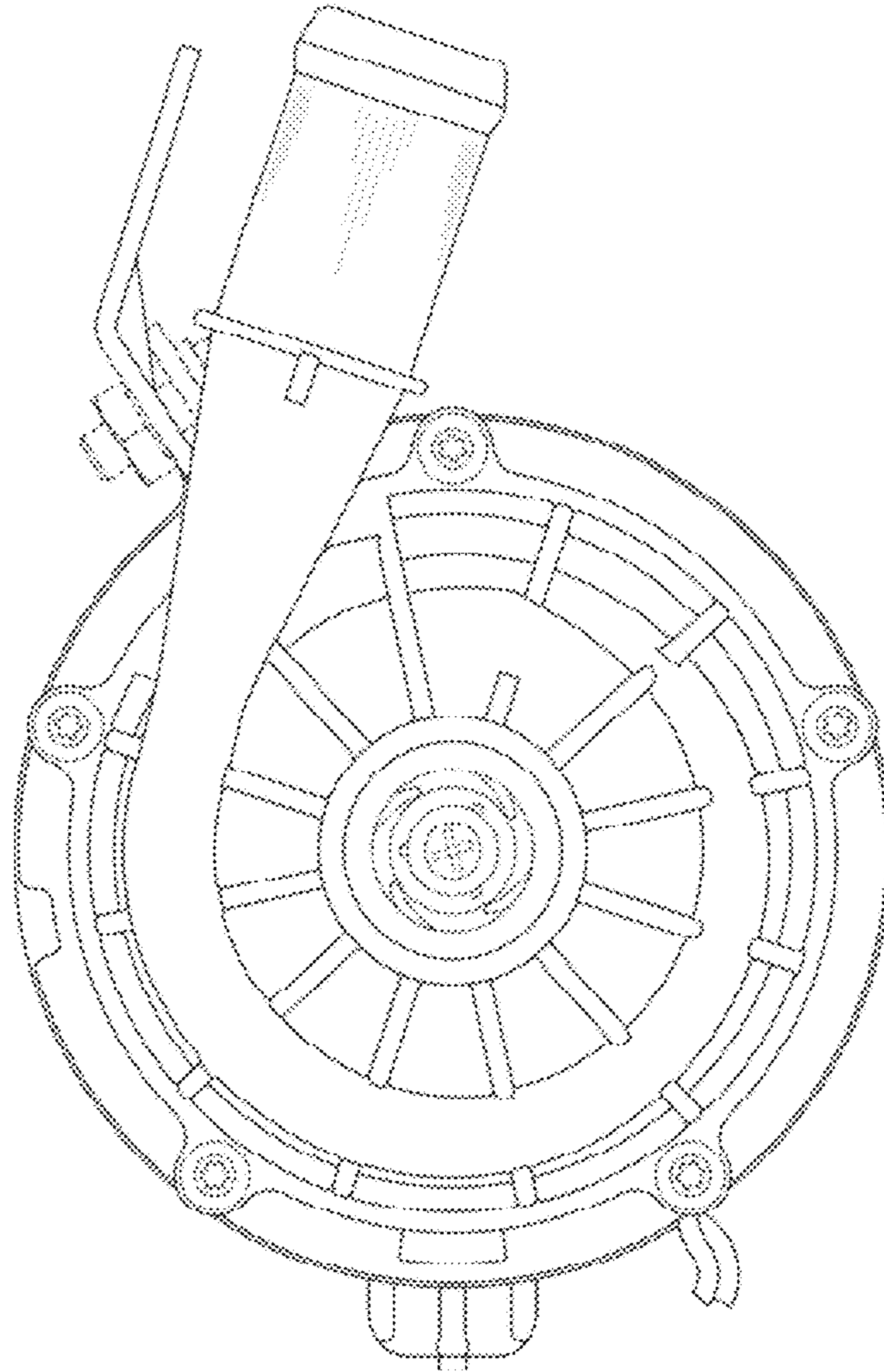


Figure 5

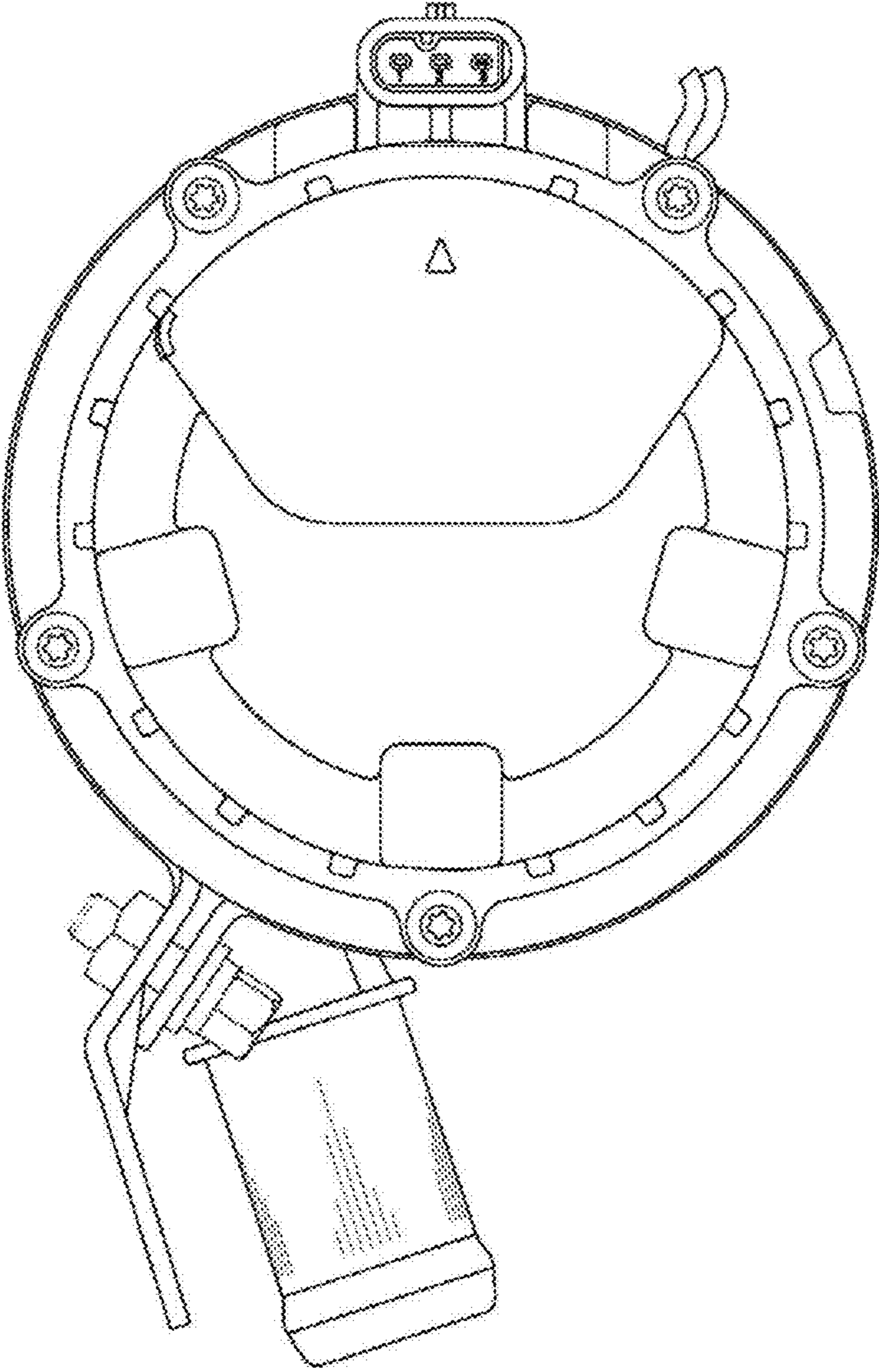


Figure 6

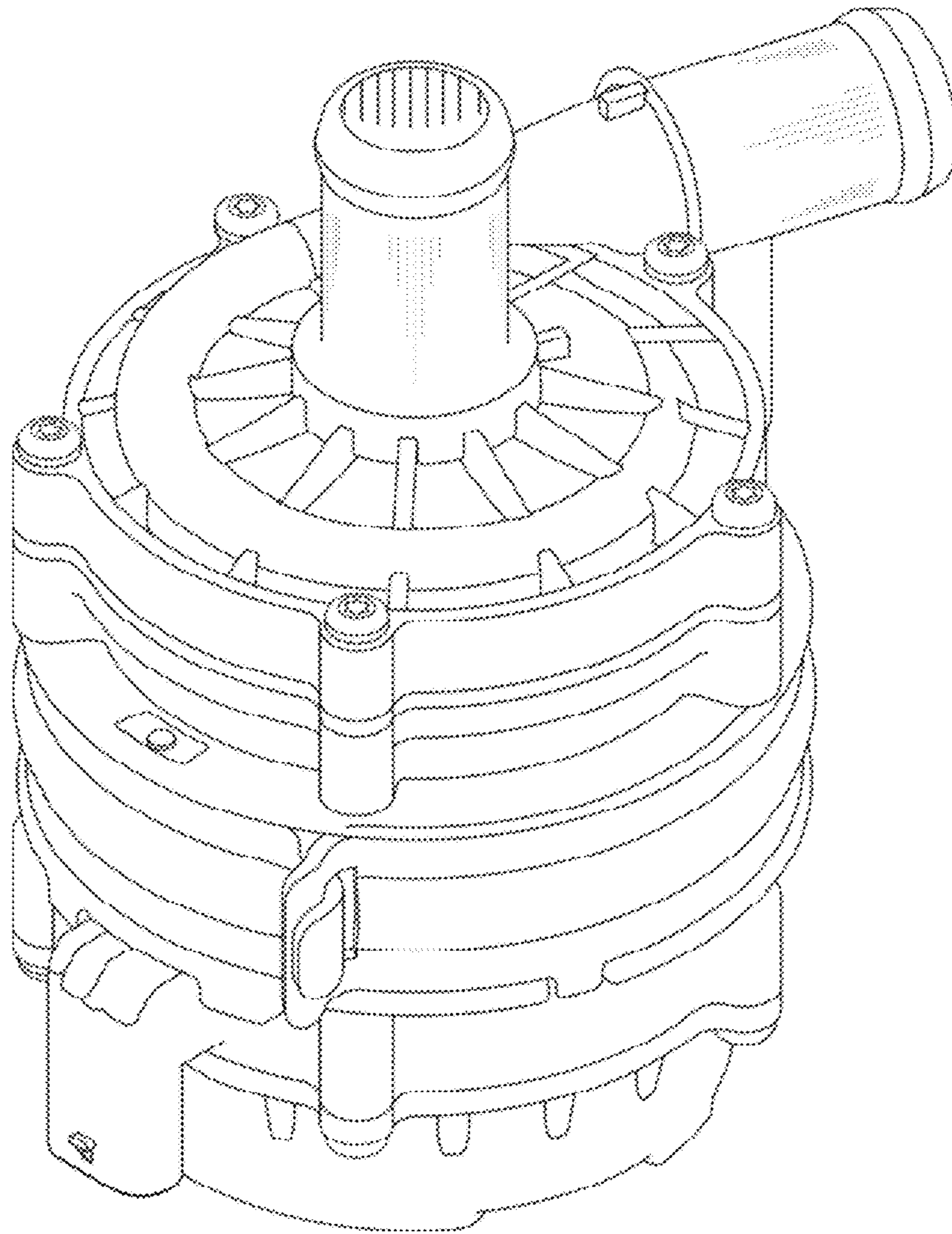


Figure 7