



US00D842336S

(12) **United States Design Patent**
No et al.

(10) **Patent No.:** **US D842,336 S**

(45) **Date of Patent:** **** Mar. 5, 2019**

(54) **DISPLAY SCREEN WITH ANIMATED GRAPHICAL USER INTERFACE**

(71) Applicant: **Google Inc.**, Mountain View, CA (US)

(72) Inventors: **Charles No**, Mountain View, CA (US);
Joao Paulo Gil de Paiva, Menlo Park, CA (US);
Heath Kessler, Mountain View, CA (US)

(73) Assignee: **Google LLC**, Mountain View, CA (US)

(**) Term: **15 Years**

(21) Appl. No.: **29/565,017**

(22) Filed: **May 17, 2016**

(51) **LOC (11) Cl.** **14-04**

(52) **U.S. Cl.**
USPC **D14/492**

(58) **Field of Classification Search**
USPC D14/485-495; D10/15, 22, 30, 32, 38,
D10/39

(Continued)

(56) **References Cited**

U.S. PATENT DOCUMENTS

D183,488 S * 9/1958 Horwitt D10/1
D322,038 S * 12/1991 Strasser D10/39

(Continued)

OTHER PUBLICATIONS

Android Police | Movado Connect, the latest high-fashion entrant into the world of Android Wear, posted on Aug. 16, 2017 by Ryne Hager, © Illogical Robot LLC, 2009-2018 [online], [site visited Mar. 27, 2018]. Available from Internet, <URL: <https://www.androidpolice.com/2017/08/16/movado-connect-latest-high-fashion-entrant-world-android-wear-available-595/>>.*

(Continued)

Primary Examiner — Philip S Hyder

Assistant Examiner — Cary M Robinson

(74) *Attorney, Agent, or Firm* — Shumaker & Sieffert, P.A.

(57) **CLAIM**

The ornamental design for a display screen with animated graphical user interface, as shown and described.

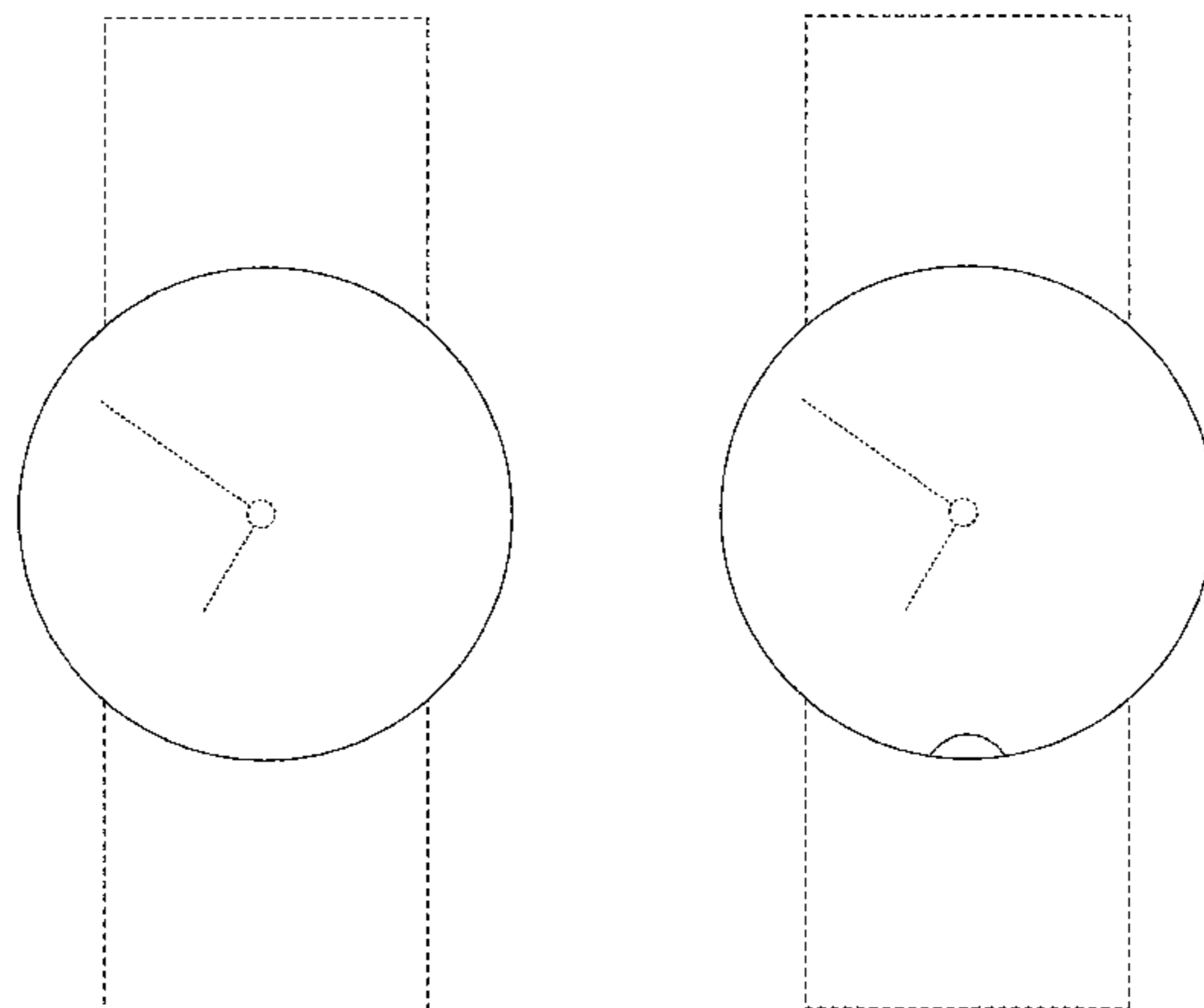
DESCRIPTION

FIG. 1 is a front view a display screen with an animated graphical user interface, showing a first image of a first embodiment of the new design;
FIG. 2 is a second image thereof;
FIG. 3 is a third image thereof;
FIG. 4 is a fourth image thereof;
FIG. 5 is a fifth image thereof;
FIG. 6 is a sixth image thereof;
FIG. 7 is a seventh image thereof;
FIG. 8 is a front view of a display screen with an animated graphical user interface, showing first image of a second embodiment the new design;
FIG. 9 is a second image thereof;
FIG. 10 is a third image thereof;
FIG. 11 is a fourth image thereof;
FIG. 12 is a fifth image thereof;
FIG. 13 is a sixth image thereof; and,
FIG. 14 is a seventh image thereof.

A first embodiment of the appearance of the animated user interface sequentially transitions between the images shown in the sequence of FIGS. 1-7. A second embodiment of the appearance of the animated user interface sequentially transitions between the images shown in the sequence of FIGS. 8-14. The process or period in which one image transitions to another image forms no part of the claimed design.

The broken lines showing the watch bands, the watch hands, and a numerical time are included for the purpose of illustrating environmental structure and form no part of the claimed design.

1 Claim, 14 Drawing Sheets



(58) **Field of Classification Search**
 CPC G06F 2203/04807; G06F 3/04817; G06F
 3/0482; G06T 13/80; H04M 1/2477
 See application file for complete search history.

(56) **References Cited**

U.S. PATENT DOCUMENTS

D485,279 S * 1/2004 DeCombe D14/486
 D497,617 S * 10/2004 Decombe D14/486
 7,213,051 B2 * 5/2007 Zhu H04L 12/1831
 709/204
 D555,520 S * 11/2007 Strasser D10/39
 D566,579 S * 4/2008 Tran D10/31
 D603,421 S * 11/2009 Ebeling D14/489
 D627,240 S * 11/2010 Strasser D10/30
 D691,629 S * 10/2013 Matas D14/488
 8,994,827 B2 * 3/2015 Mistry H04N 5/2252
 348/158
 D735,589 S * 8/2015 Grinberg D10/38
 D750,124 S * 2/2016 Everette D14/488
 D750,126 S * 2/2016 Lee D14/489
 D751,599 S * 3/2016 Connolly D14/488
 D752,062 S * 3/2016 Forsblom D14/485
 D762,672 S * 8/2016 Lee D14/485
 D762,717 S * 8/2016 Kim D14/489
 D794,038 S * 8/2017 Sonoda D14/485
 D795,917 S * 8/2017 Escutia D14/488
 D811,418 S * 2/2018 Sun D14/485
 D812,078 S * 3/2018 Wang D14/486
 D828,845 S * 9/2018 Harder D14/485
 2003/0112262 A1 * 6/2003 Adatia G06F 3/0481
 715/716
 2004/0257367 A1 * 12/2004 Smith G06T 11/60
 345/441
 2005/0262451 A1 * 11/2005 Remignanti G06F 3/04847
 715/833
 2006/0026245 A1 2/2006 Cunningham et al.
 2009/0055494 A1 2/2009 Fukumoto
 2009/0073132 A1 * 3/2009 Lee G06F 3/0481
 345/173
 2009/0113298 A1 4/2009 Jung et al.
 2011/0261079 A1 10/2011 Ingrassia, Jr. et al.
 2011/0265041 A1 10/2011 Ganetakos et al.
 2012/0229909 A1 9/2012 Clavin et al.
 2013/0127910 A1 * 5/2013 Tijssen G06F 3/04883
 345/642

2014/0019892 A1 * 1/2014 Mayerhofer G06F 9/4443
 715/763
 2014/0240122 A1 8/2014 Roberts et al.
 2015/0007049 A1 1/2015 Langlois
 2015/0007066 A1 * 1/2015 Joo G06F 3/0481
 715/761
 2015/0033165 A1 * 1/2015 Yoo G06F 3/04842
 715/765
 2015/0067596 A1 * 3/2015 Brown G06F 3/0416
 715/808
 2015/0248389 A1 9/2015 Kahn et al.
 2015/0286387 A1 10/2015 Gu et al.
 2015/0286391 A1 10/2015 Jacobs et al.
 2016/0062540 A1 3/2016 Yang et al.
 2016/0062570 A1 3/2016 Dascola et al.
 2016/0085397 A1 3/2016 Jain
 2016/0175695 A1 * 6/2016 McKee A63F 1/00
 273/292
 2016/0306442 A1 * 10/2016 Lee G06F 3/0362

OTHER PUBLICATIONS

Movado | All Smartwatches, posted on Nov. 13, 2015, © Movado Group 2017 [online], [site visited Mar. 27, 2018]. Available from Internet, <URL: https://www.movado.com/us/en/movado_motion/shop-all-smartwatches/>.*
 YouTube | Movado Connect Vs Tag Heuer Connected Modular 45, published on Jan. 3, 2018 by Phones and Drones, © 2018 YouTube, LLC, [online], [site visited Mar. 27, 2018]. Available from Internet, [frames 0:48-0:51] <URL: <https://www.youtube.com/watch?v=AwGdj5zWng8/>>.*
 U.S. Appl. No. 15/185,939, by Charles No, filed Jul. 17, 2016.
 International Search Report and Written Opinion of International Application No. PCT/US2017/029912, dated Jul. 18, 2017, 11 pp.
 Response to First Official Notice, and translation thereof, from counterpart Chinese Application No. 201630559127.7, dated Jun. 19, 2017, 4 pp.
 Notification for Patent Registration Formalities from counterpart Chinese Application No. 201630559127.7, dated Oct. 10, 2017, 5 pp.
 Reply to Written Opinion of International Application No. PCT/US2017/029912, dated Jan. 17, 2018, 16 pp.
 First Action Interview Pilot Program Pre-Interview Communication of U.S. Appl. No. 15/185,939, dated Mar. 12, 2018, 4 pp.

* cited by examiner

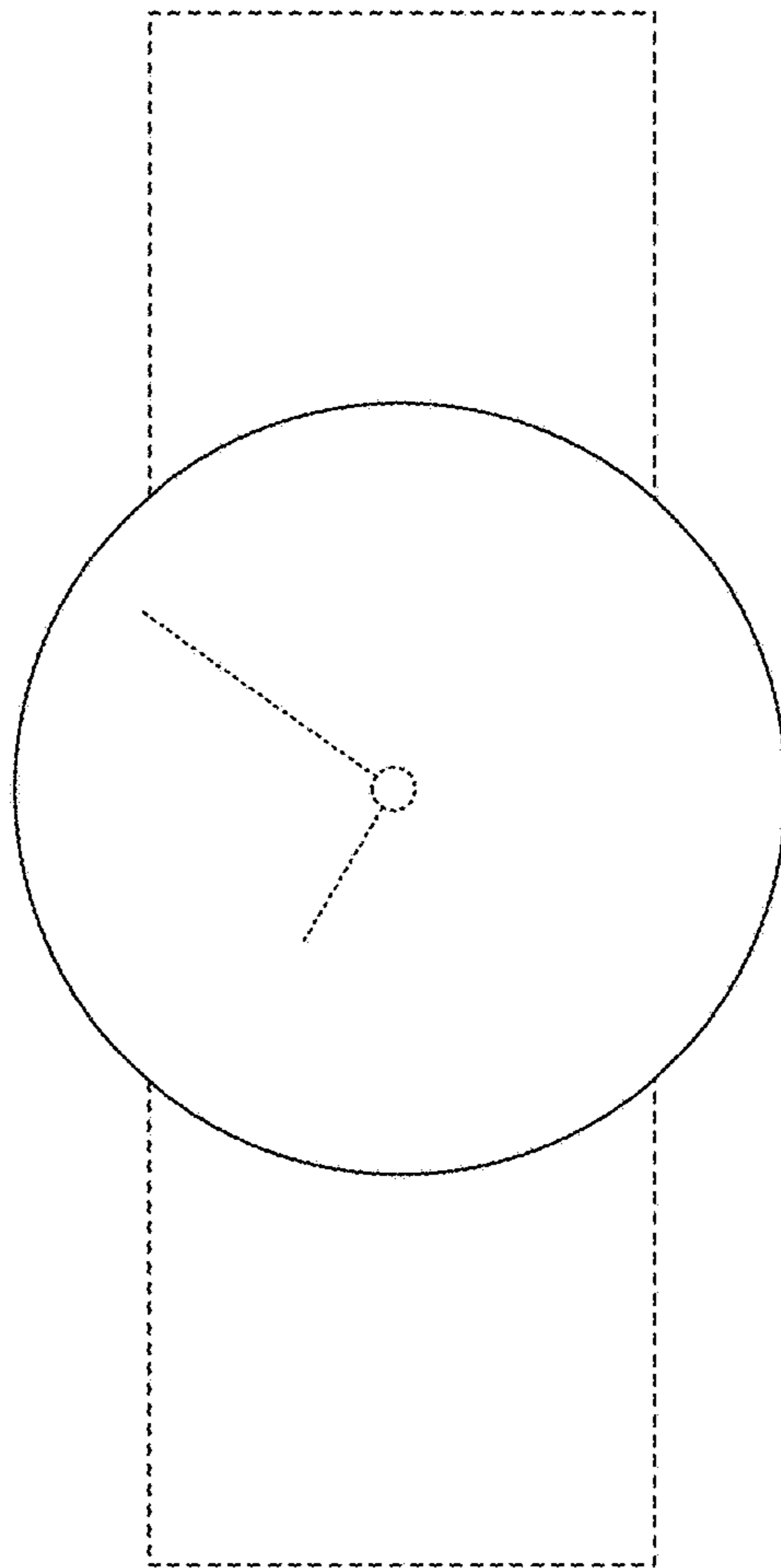


FIG. 1

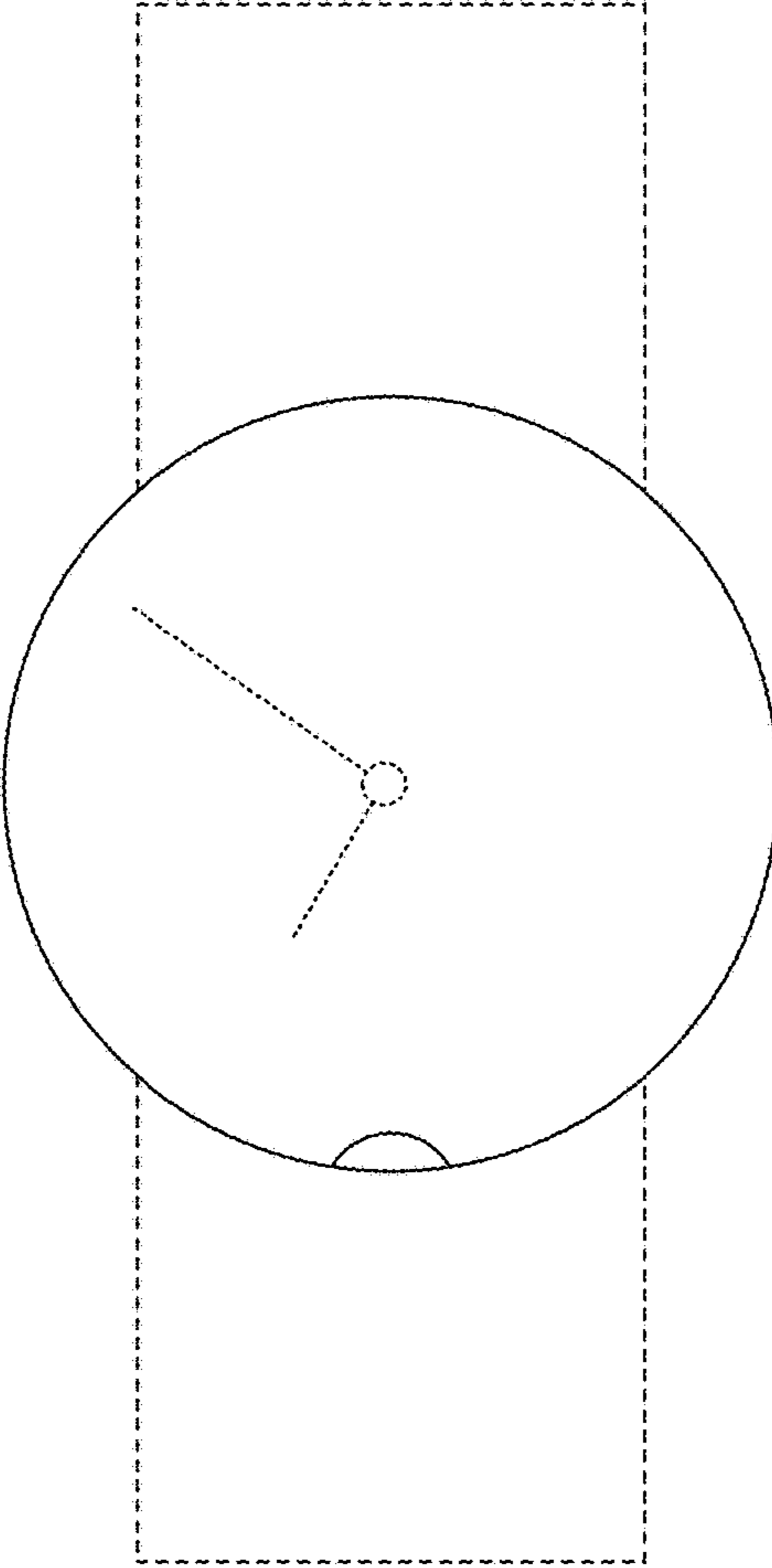


FIG. 2

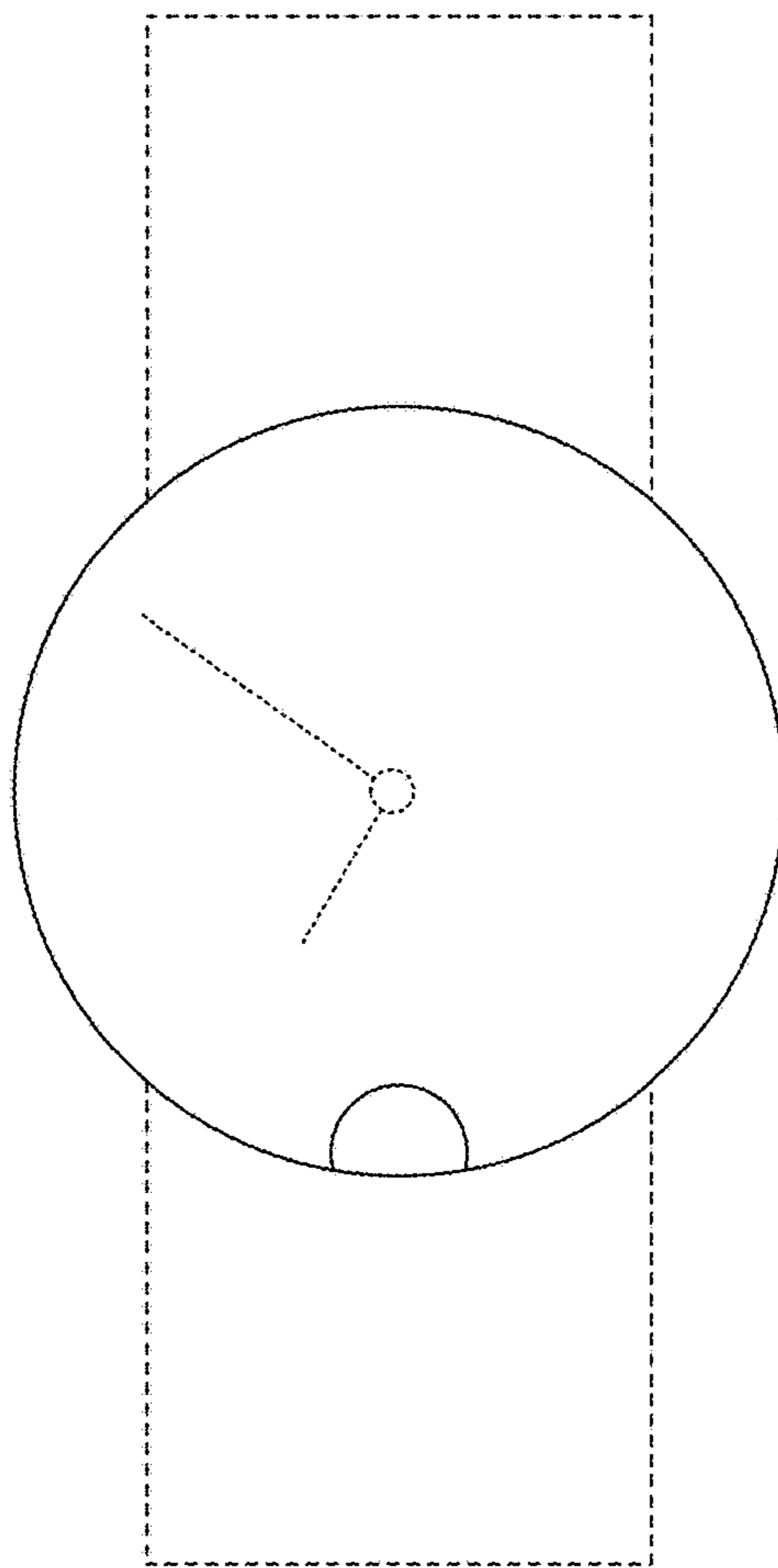


FIG. 3

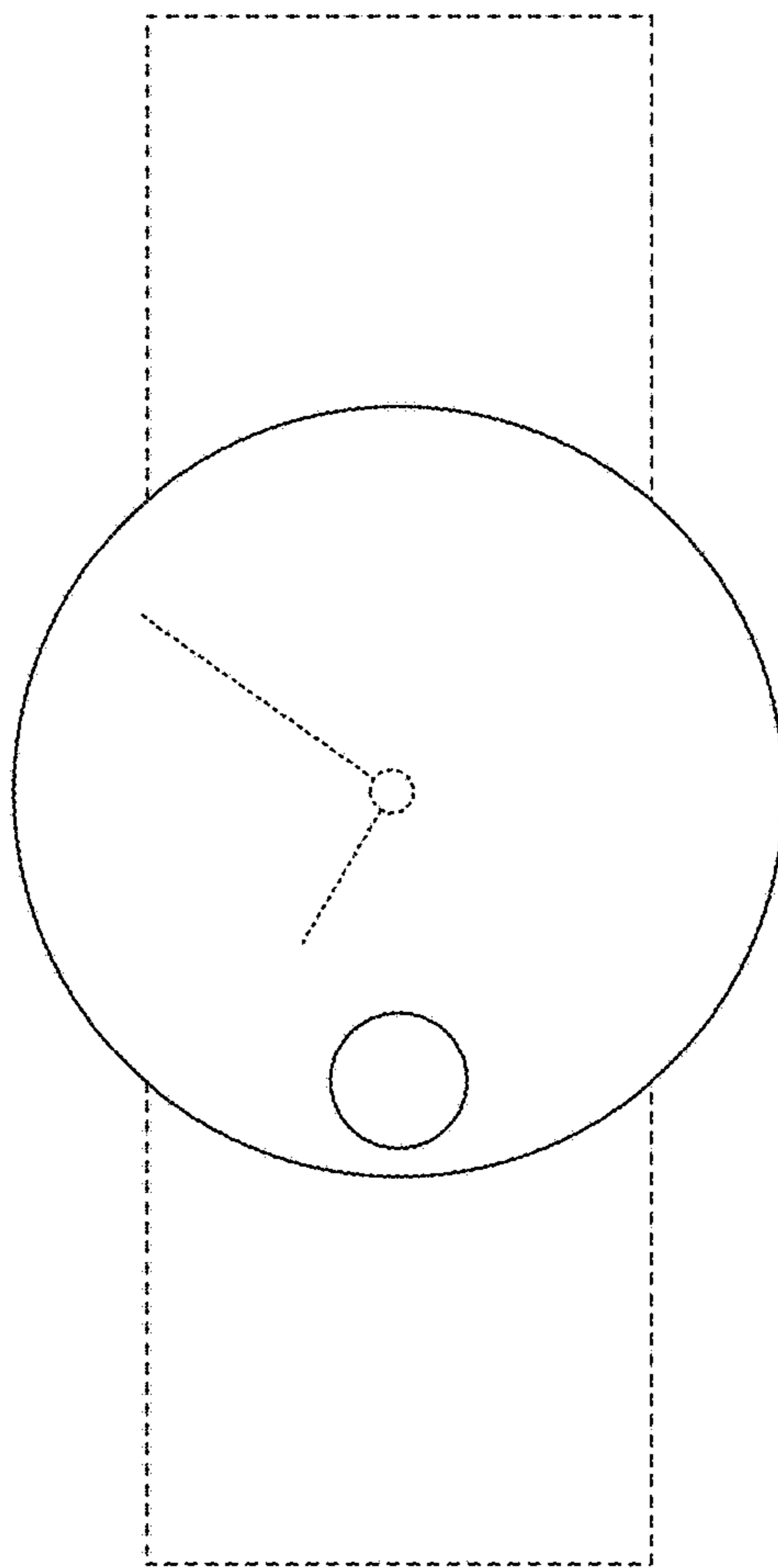


FIG. 4

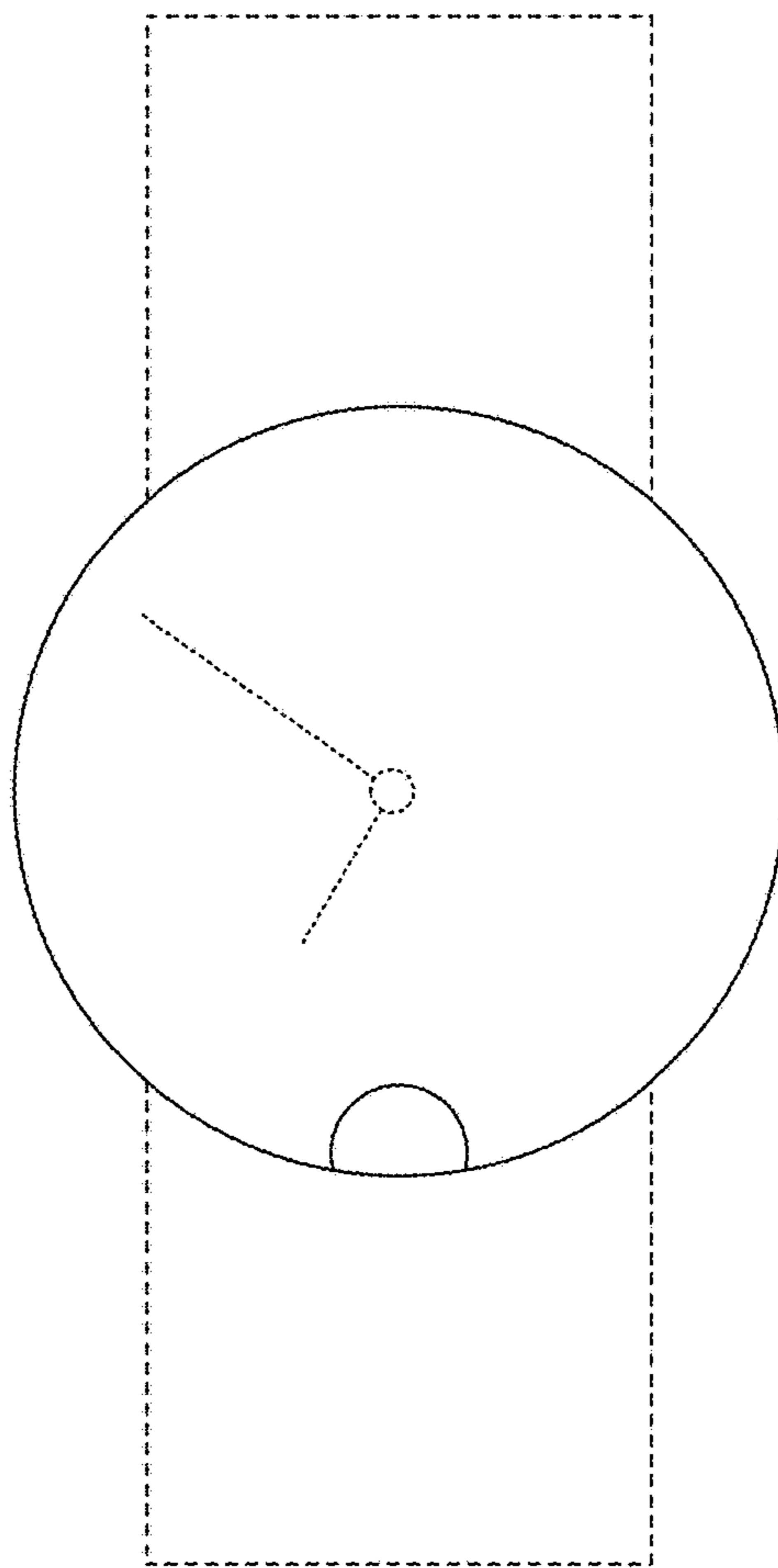


FIG. 5

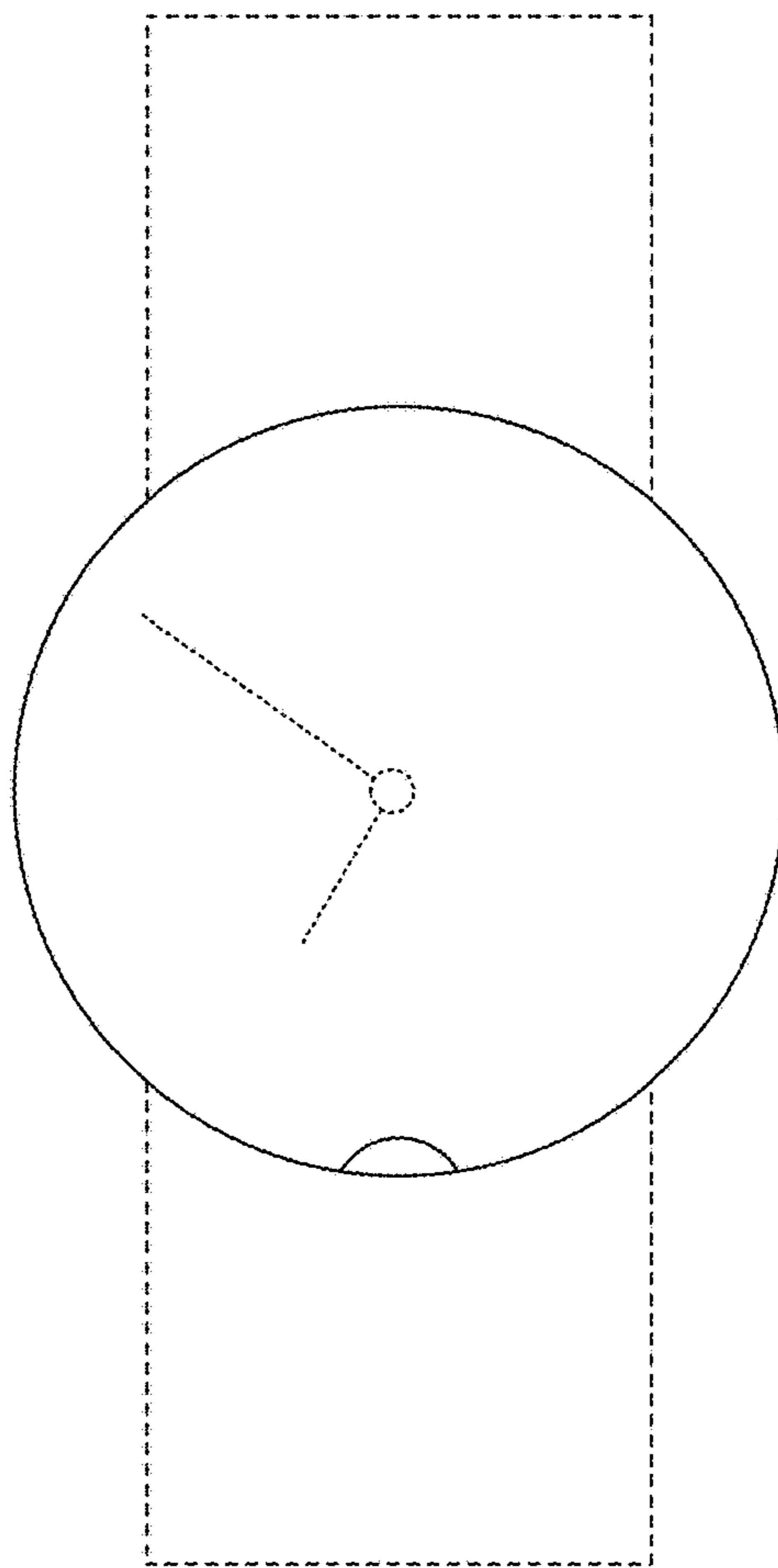


FIG. 6

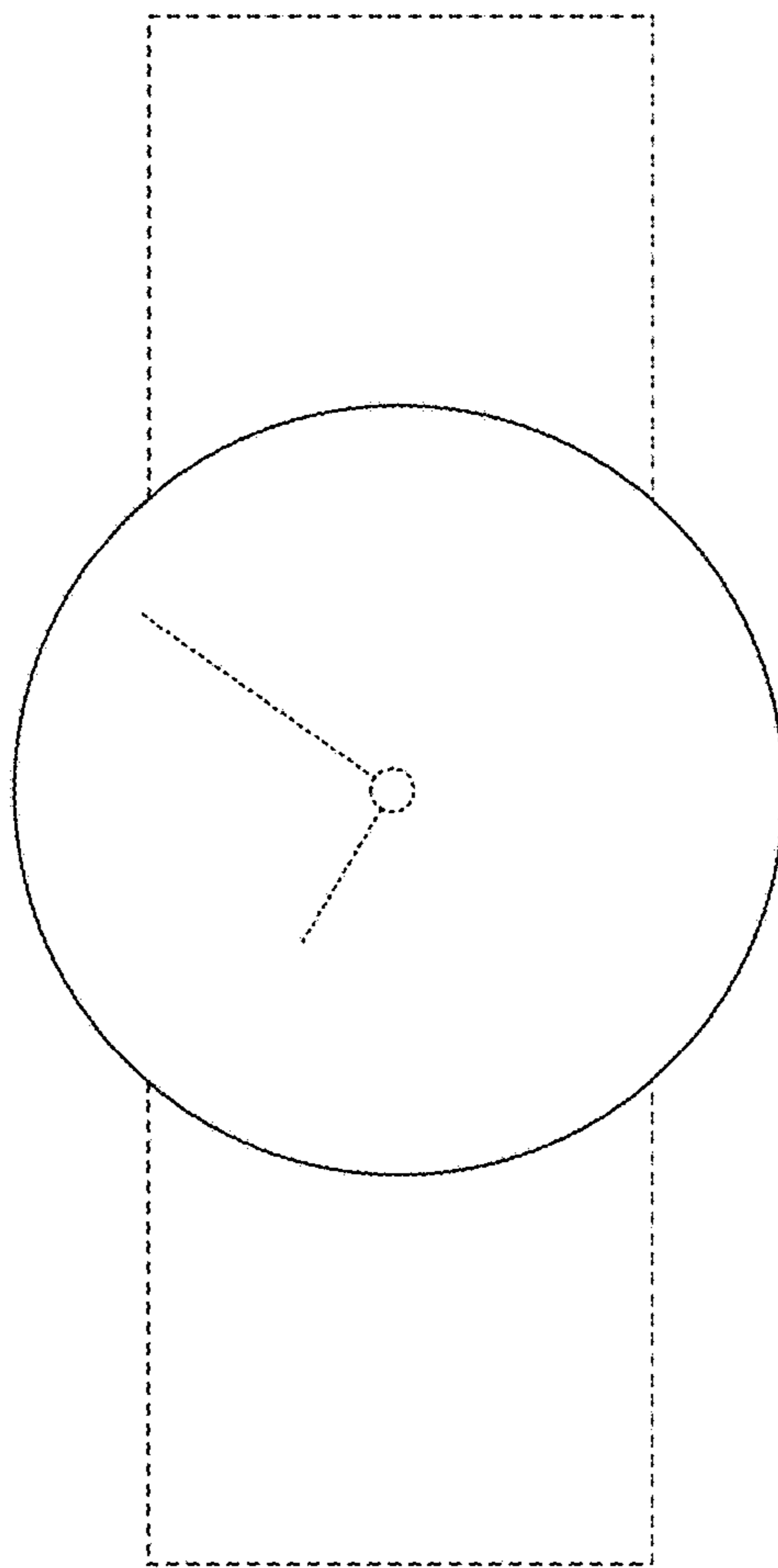


FIG. 7

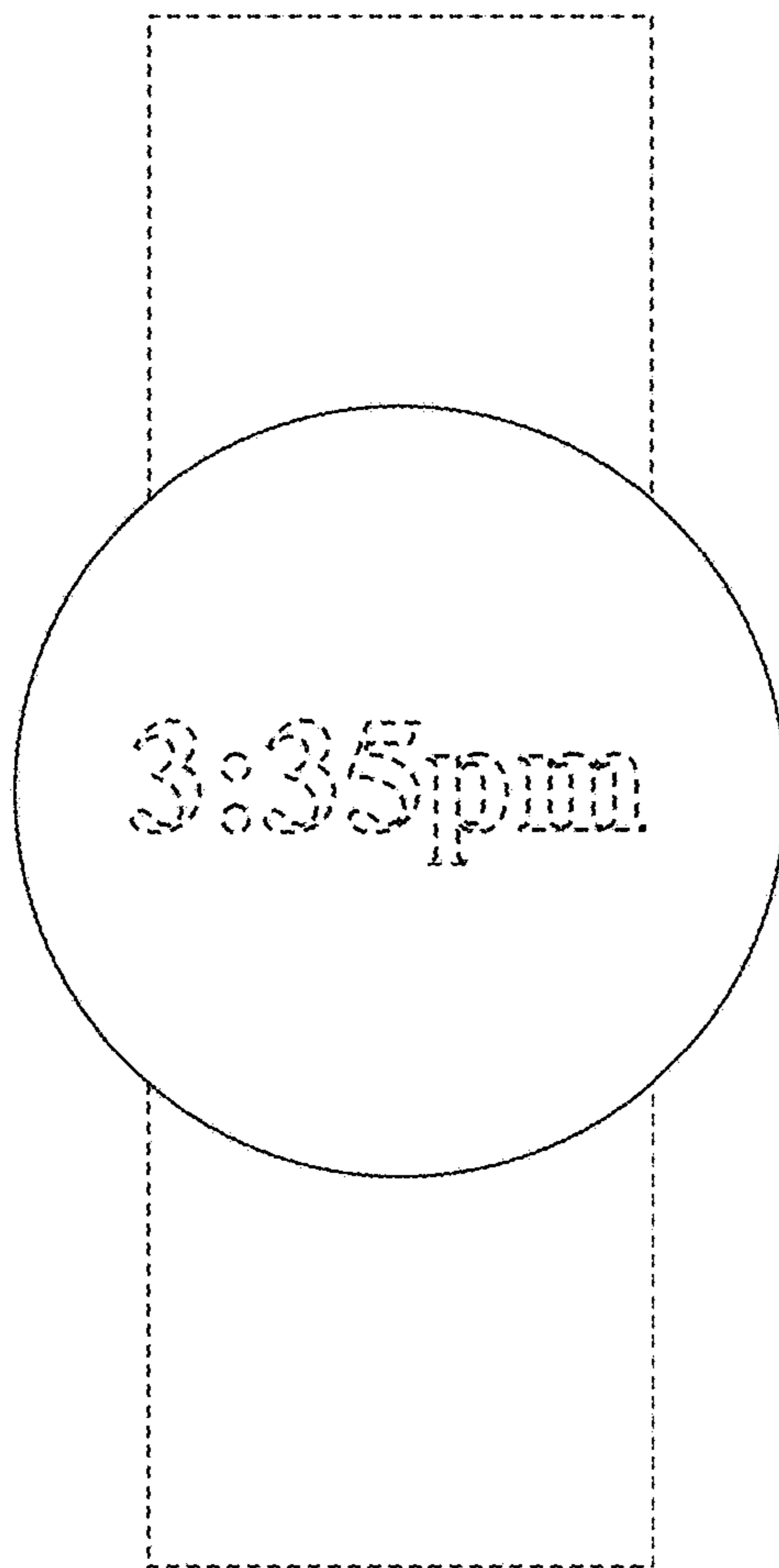


FIG. 8

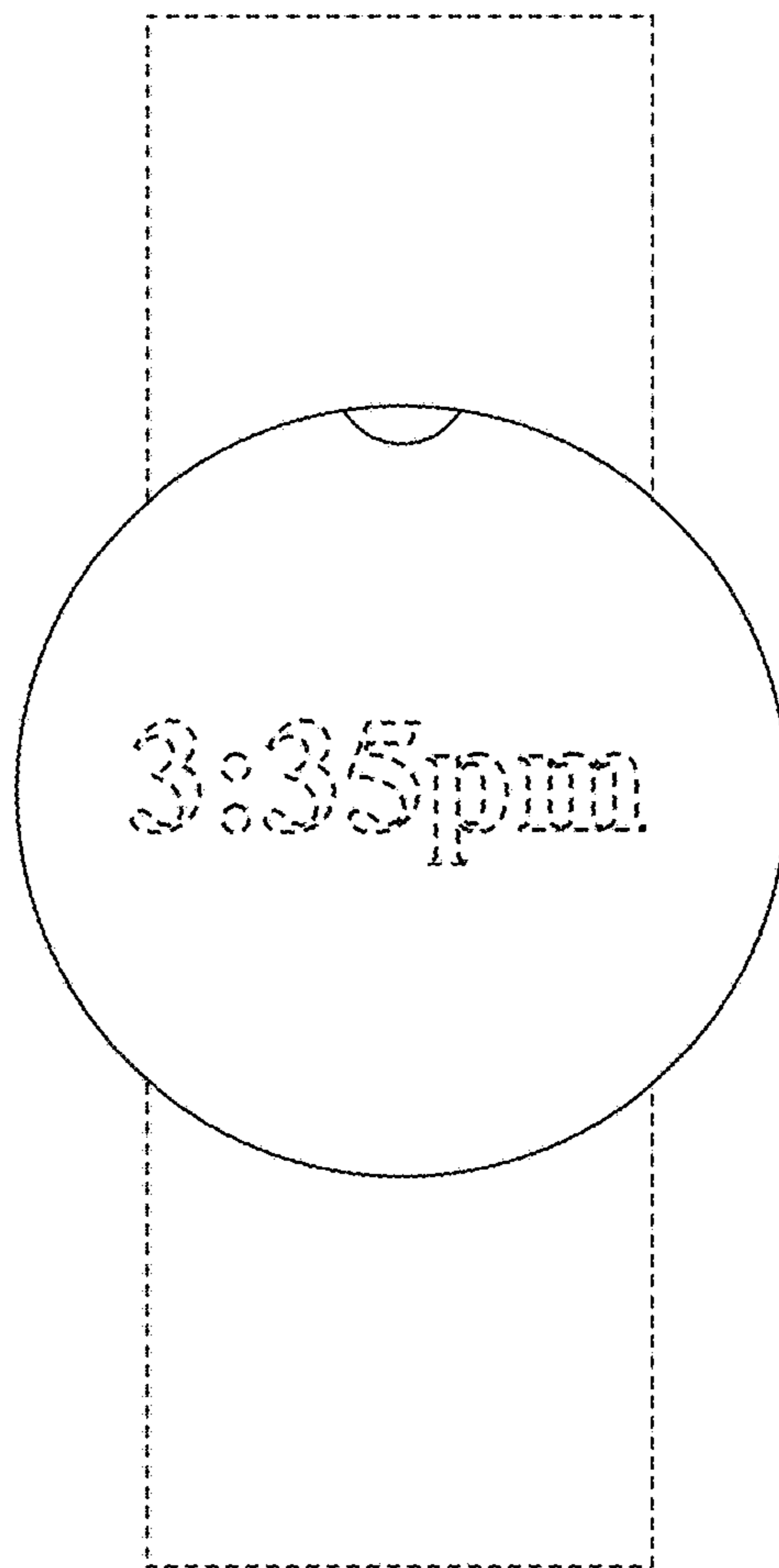


FIG. 9

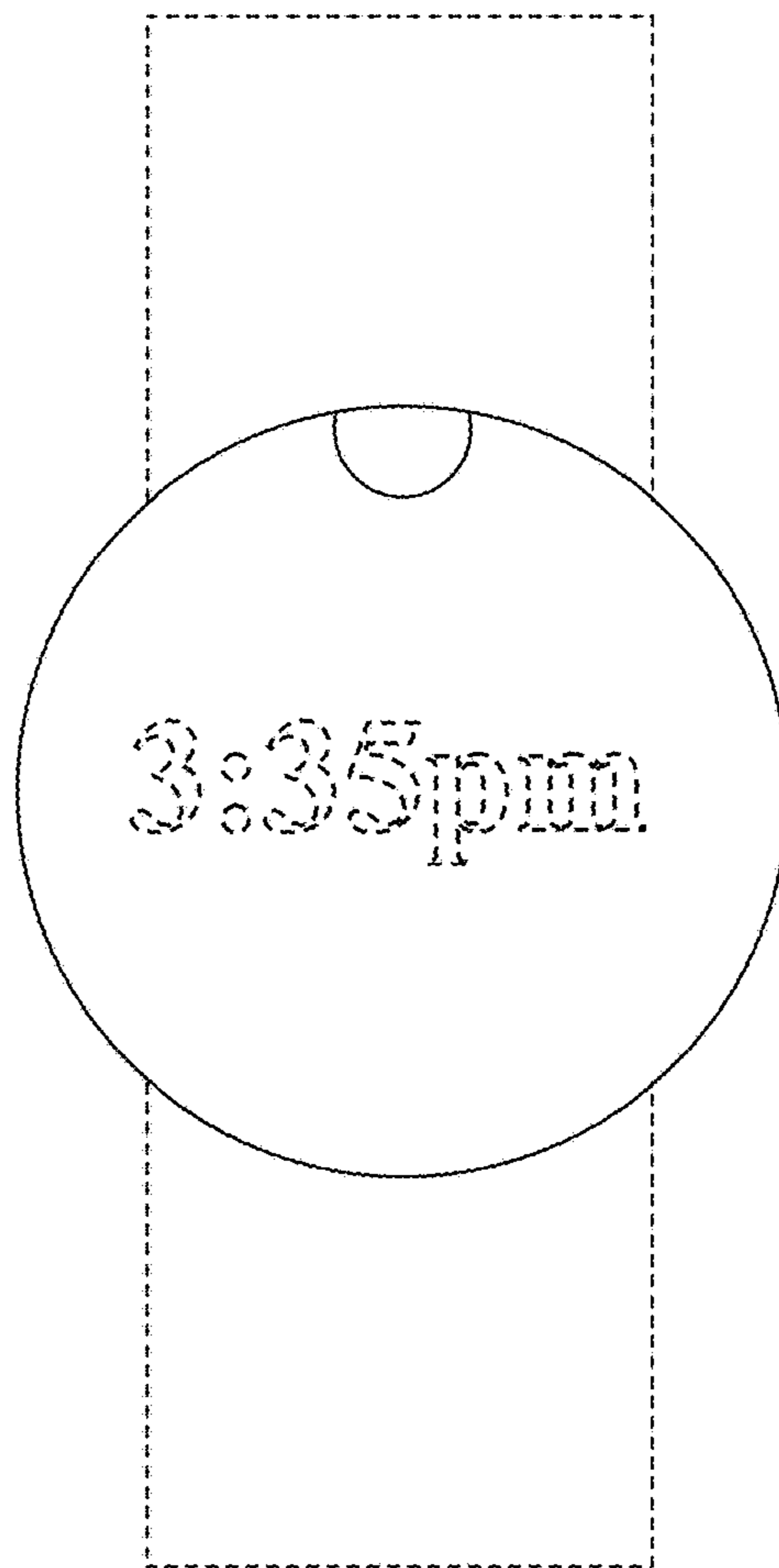


FIG. 10

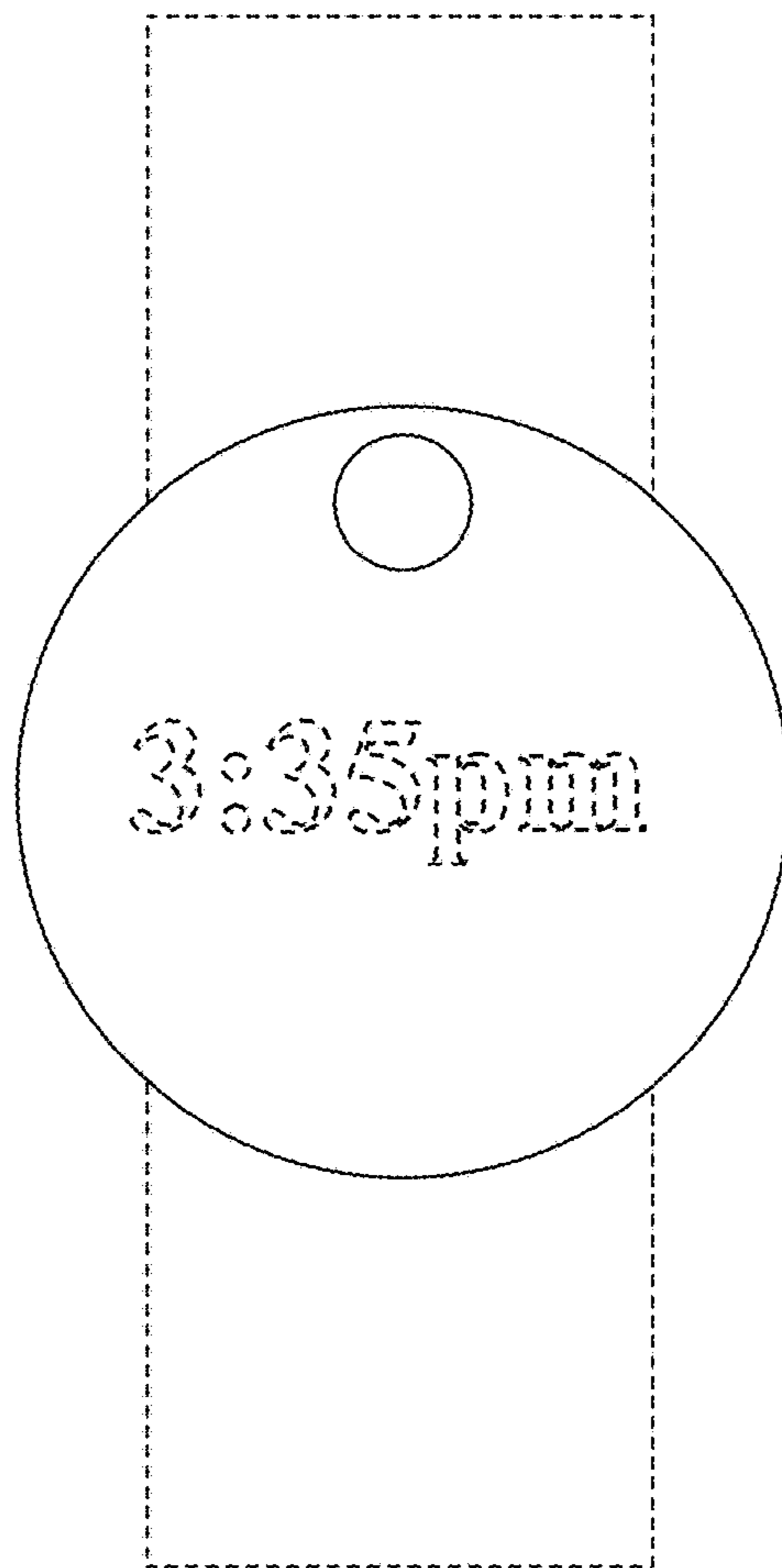


FIG. 11

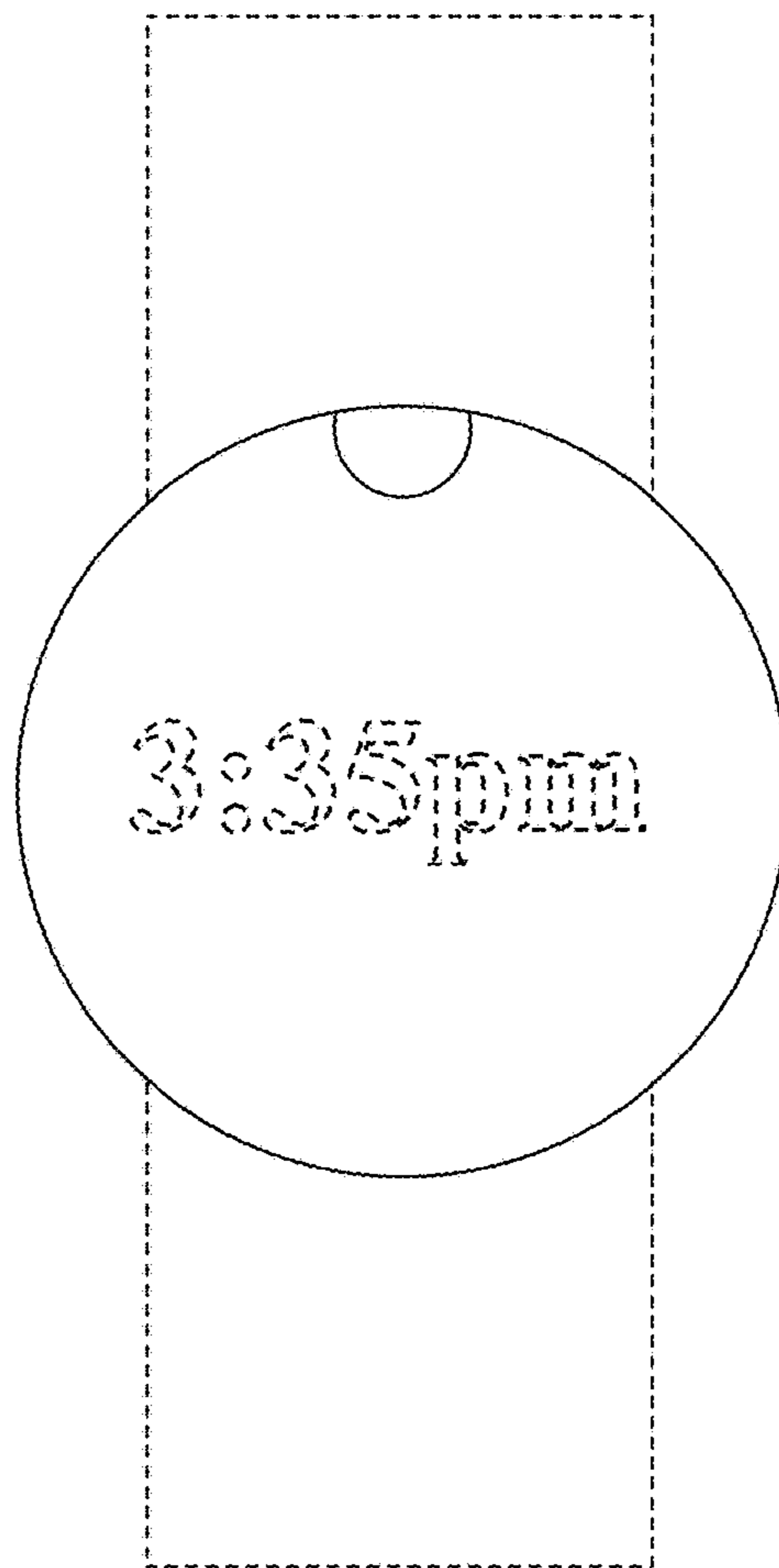


FIG. 12

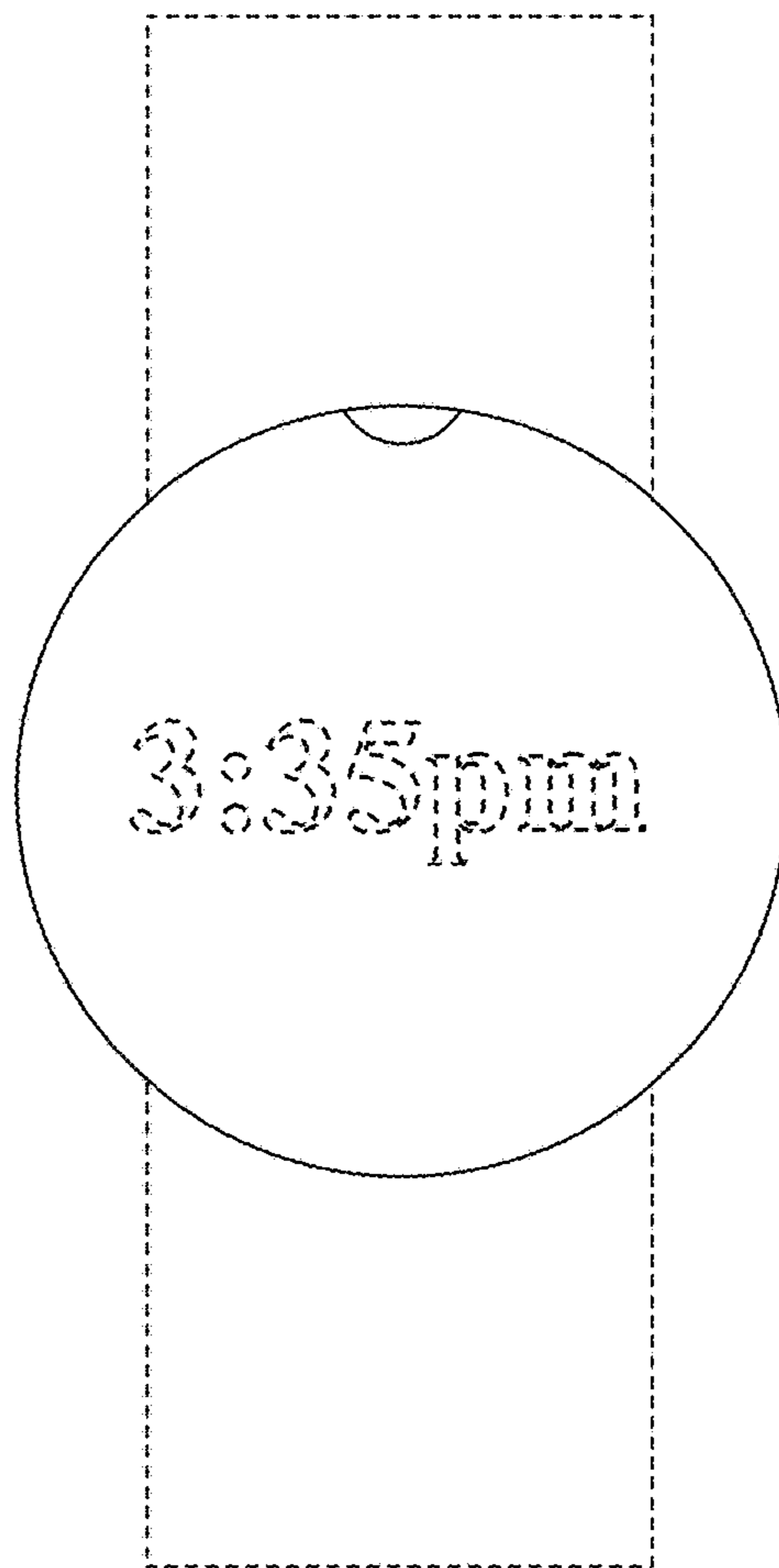


FIG. 13

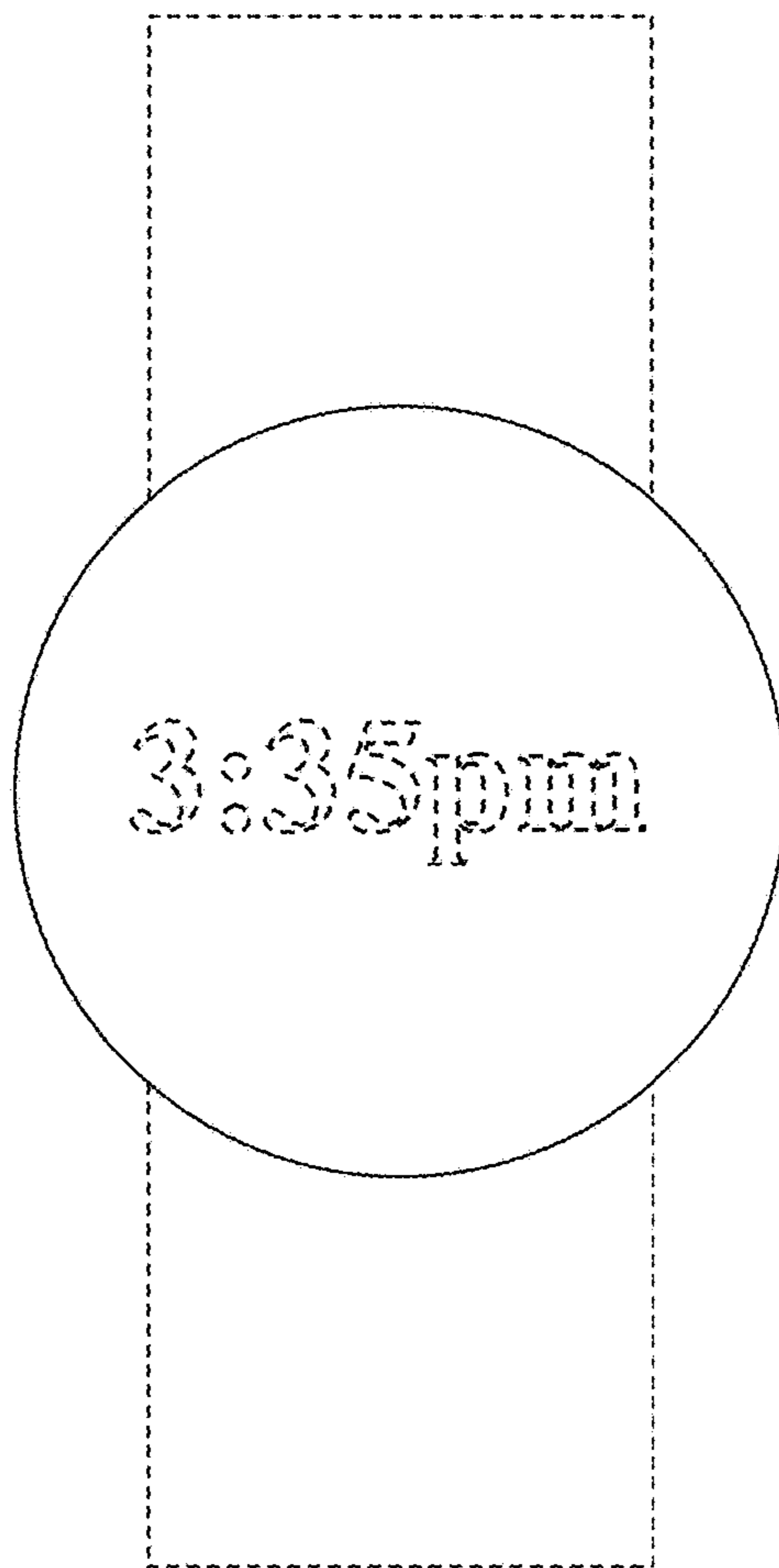


FIG. 14