



US00D842308S

(12) **United States Design Patent**
Shim

(10) **Patent No.:** **US D842,308 S**

(45) **Date of Patent:** **** Mar. 5, 2019**

(54) **HANDHELD STORAGE DEVICE**
(71) Applicant: **SAMSUNG ELECTRONICS CO., LTD.**, Suwon-si (KR)

(72) Inventor: **Hyung Sup Shim**, Seoul (KR)

(73) Assignee: **SAMSUNG ELECTRONICS CO., LTD.**, Suwon-si (KR)

(**) Term: **15 Years**

(21) Appl. No.: **29/600,724**

(22) Filed: **Apr. 14, 2017**

(30) **Foreign Application Priority Data**

Nov. 11, 2016 (KR) 30-2016-0054479

(51) **LOC (11) Cl.** **14-03**

(52) **U.S. Cl.**
USPC **D14/480.5**

(58) **Field of Classification Search**
USPC D14/435.1, 480.1–480.7, 411, 433, 436,
D14/484.1, 137, 155, 203.1–203.8, 240,
D14/242, 133, 154
CPC H05K 5/0278; G06K 19/07732
See application file for complete search history.

(56) **References Cited**

U.S. PATENT DOCUMENTS

D583,374 S * 12/2008 Otsuka D14/480.5
D648,730 S * 11/2011 Huang D14/480.5
D706,278 S * 6/2014 Fukuoka D14/480.5
D711,891 S * 8/2014 Emami D14/480.5
D754,138 S * 4/2016 Otsuka D14/480.1
D759,028 S * 6/2016 Emami D14/480.1

D771,636 S * 11/2016 Shim D14/480.1
D783,629 S * 4/2017 Shim D14/480.1
D785,001 S * 4/2017 Shim D14/480.1
D798,308 S * 9/2017 Tzeng D14/480.5
D798,878 S * 10/2017 Huang D14/480.1
D806,089 S * 12/2017 Shim D14/480.5

* cited by examiner

Primary Examiner — Angela J Lee

(74) *Attorney, Agent, or Firm* — Sughrue Mion, PLLC

(57) **CLAIM**

The ornamental design for a handheld storage device, as shown and described.

DESCRIPTION

FIG. 1 is a perspective view illustrating my design for a handheld storage device.

FIG. 2 is a front view thereof.

FIG. 3 is a rear view thereof.

FIG. 4 is a left side view thereof.

FIG. 5 is a right side view thereof.

FIG. 6 is a top plan view thereof.

FIG. 7 is a bottom plan view thereof.

FIG. 8 is a perspective view illustrating a portion of my handheld storage device without a cover.

FIG. 9 is a front view thereof.

FIG. 10 is a rear view thereof.

FIG. 11 is a left side view thereof.

FIG. 12 is a right side view thereof.

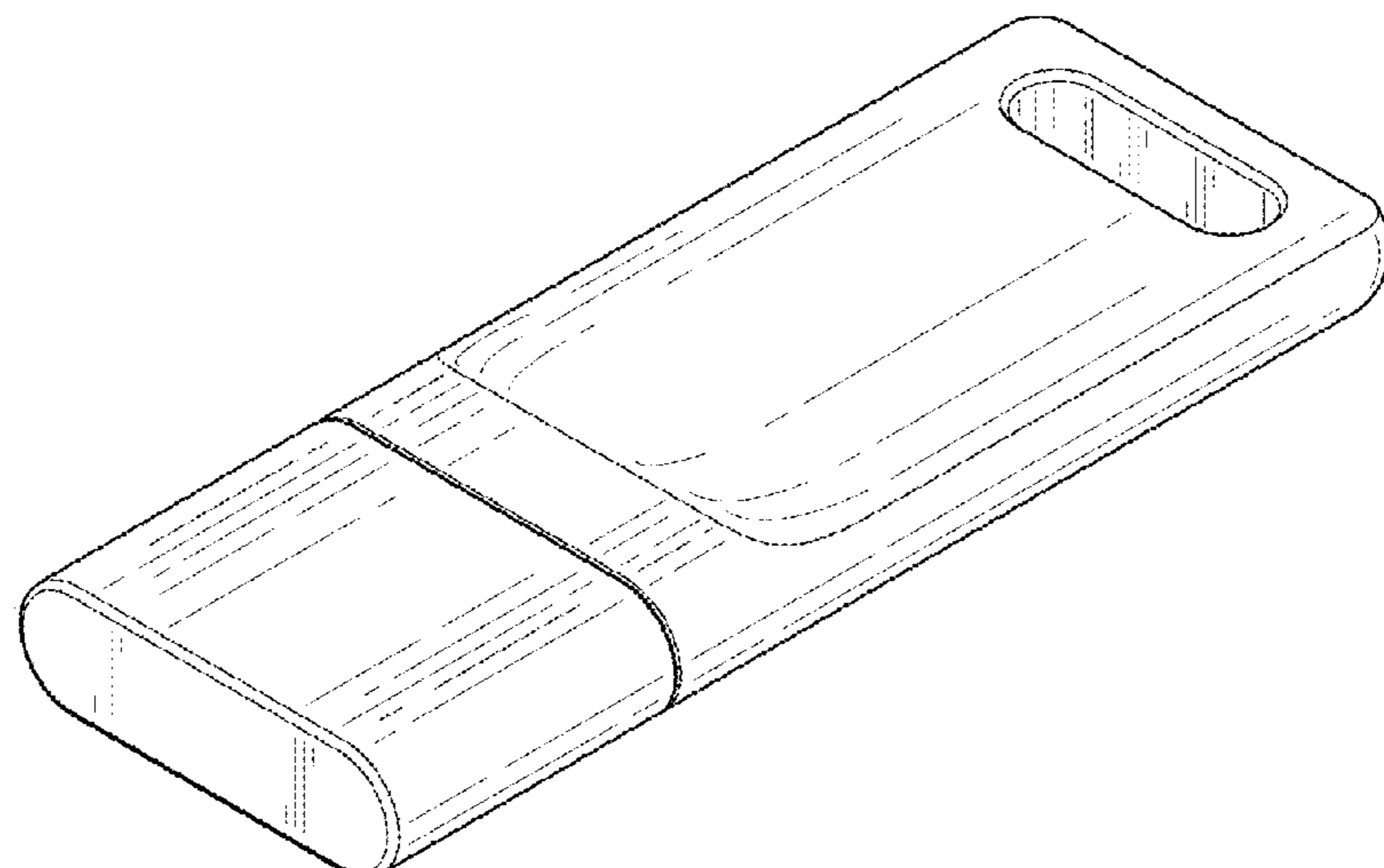
FIG. 13 is a top plan view thereof.

FIG. 14 is a bottom plan view thereof; and,

FIG. 15 is view showing my design for a handheld storage device with the cover removed.

The broken lines are for illustrative purposes only and form no part of the claimed design.

1 Claim, 11 Drawing Sheets



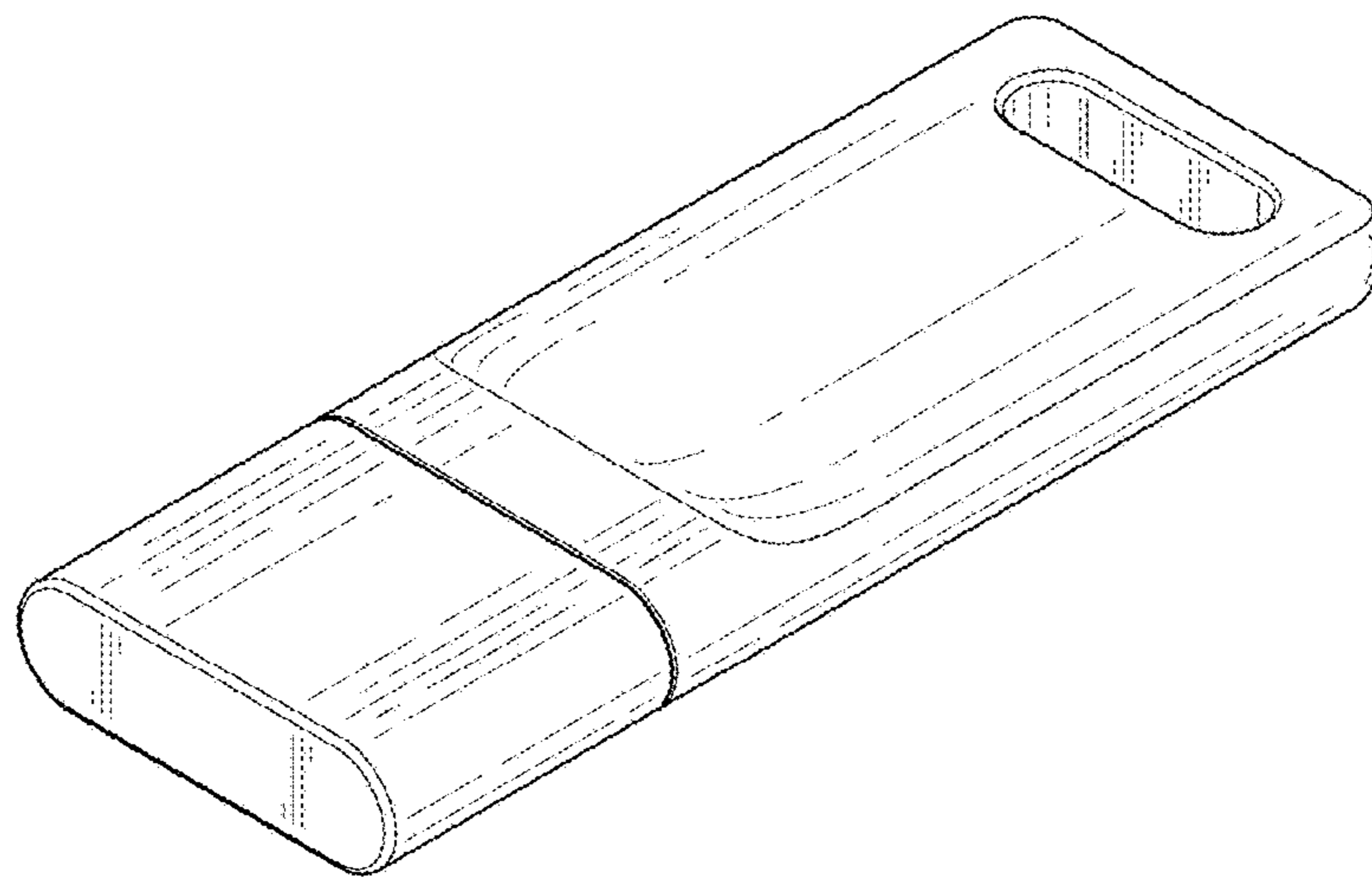


FIG. 1

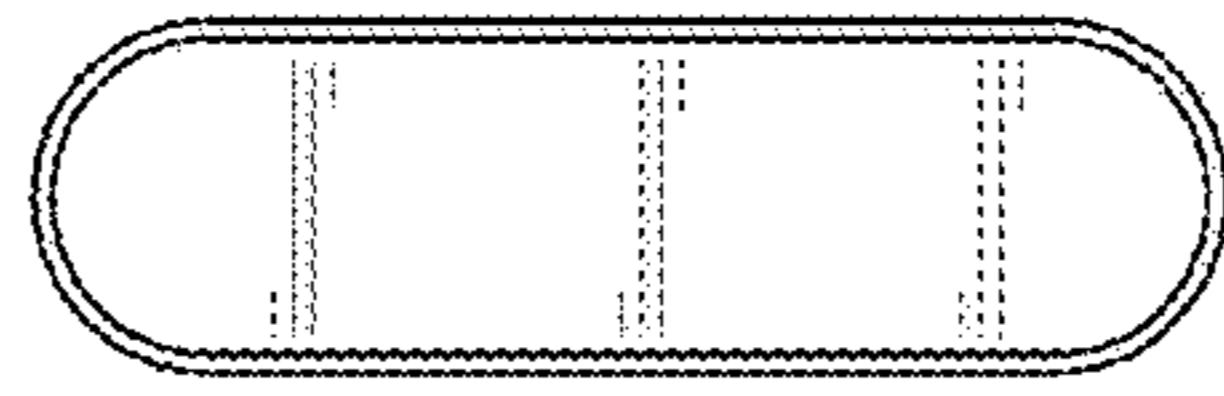


FIG. 2

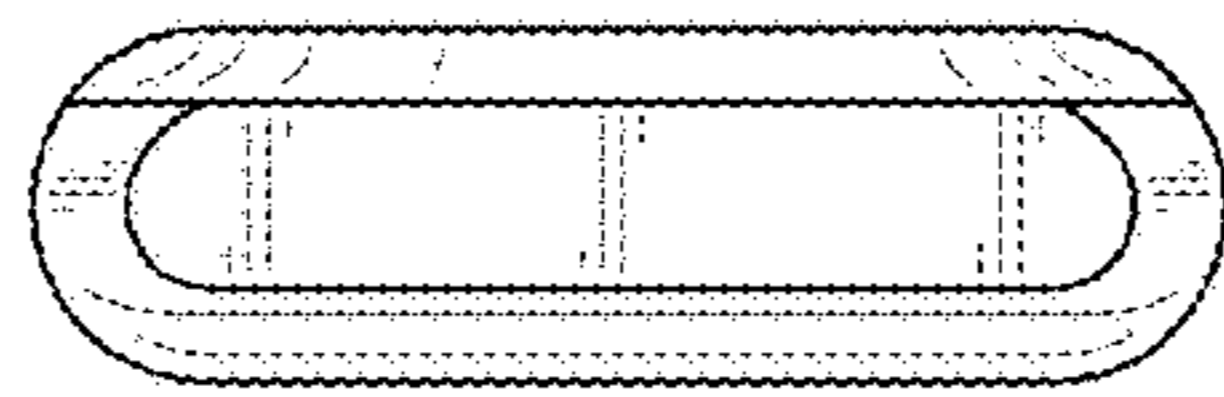


FIG. 3

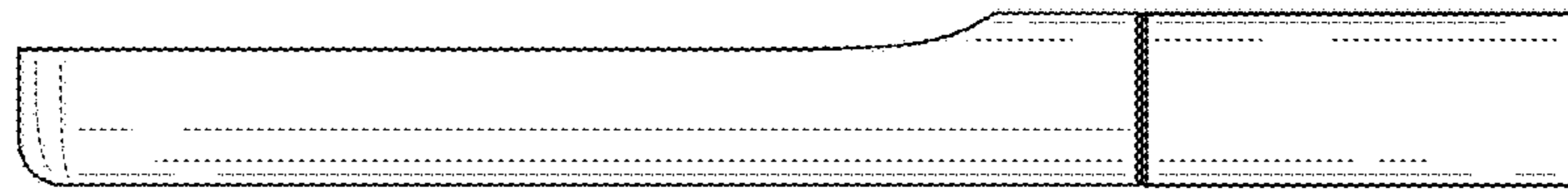


FIG. 4

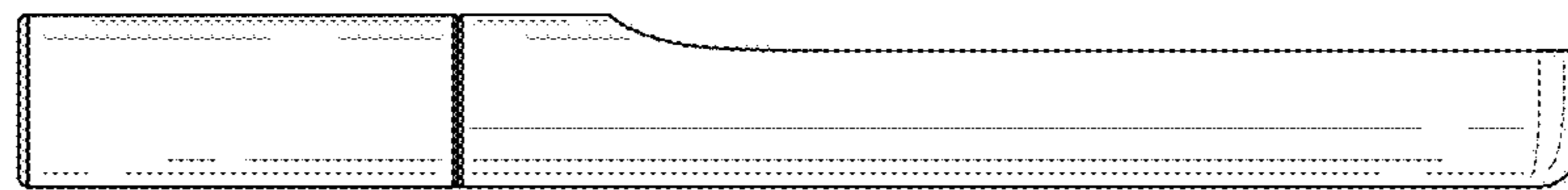


FIG. 5

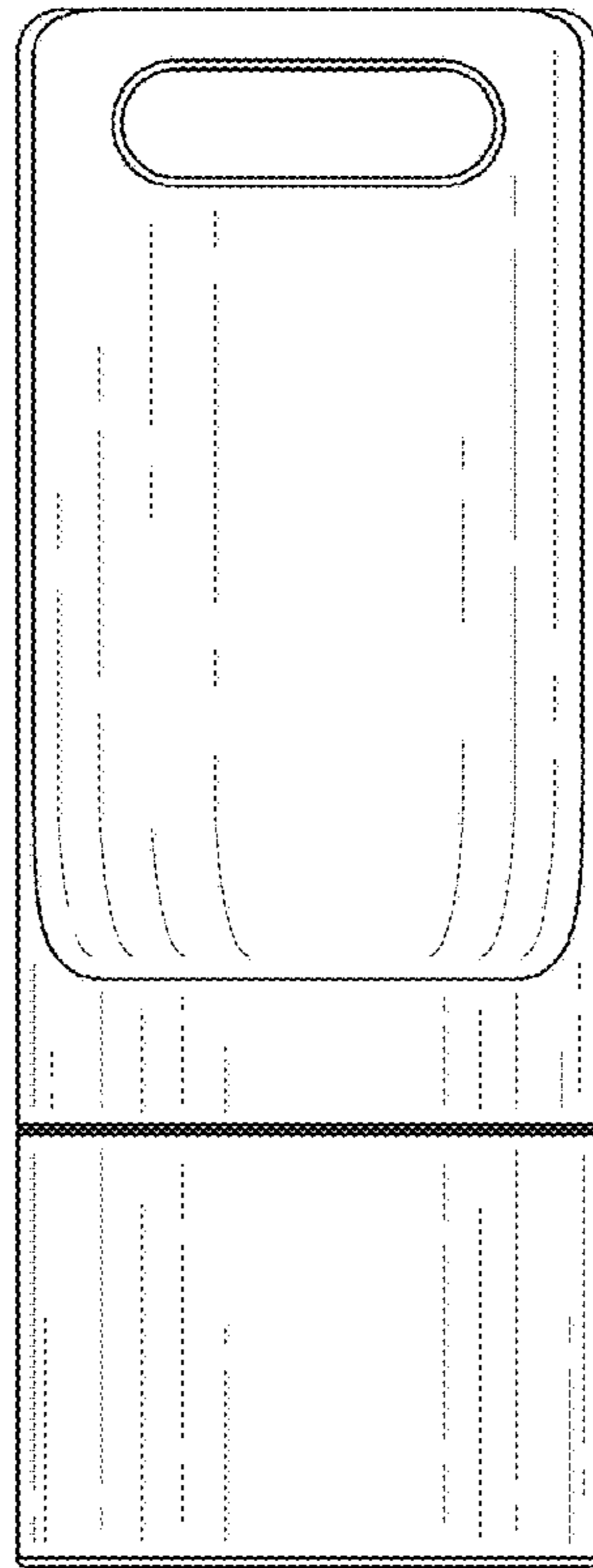


FIG. 6

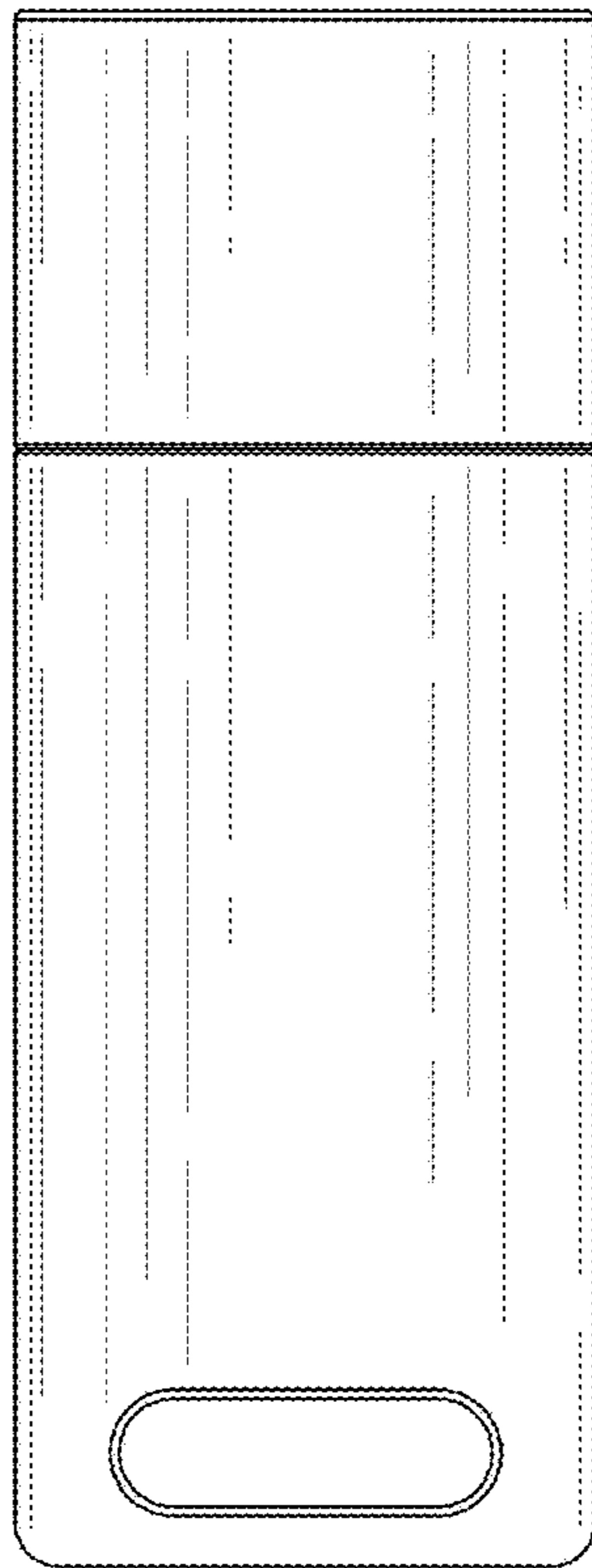


FIG. 7

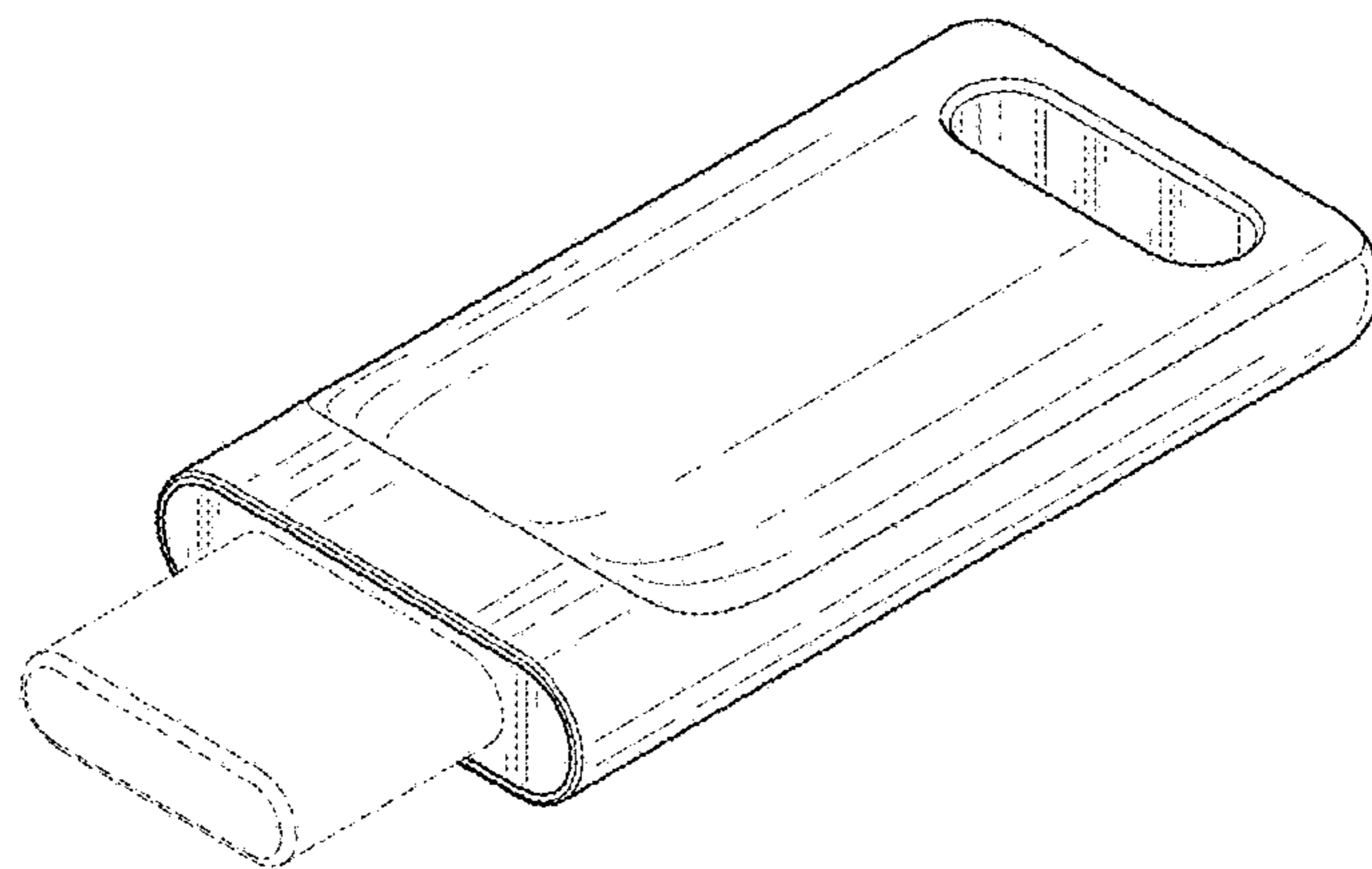


FIG. 8

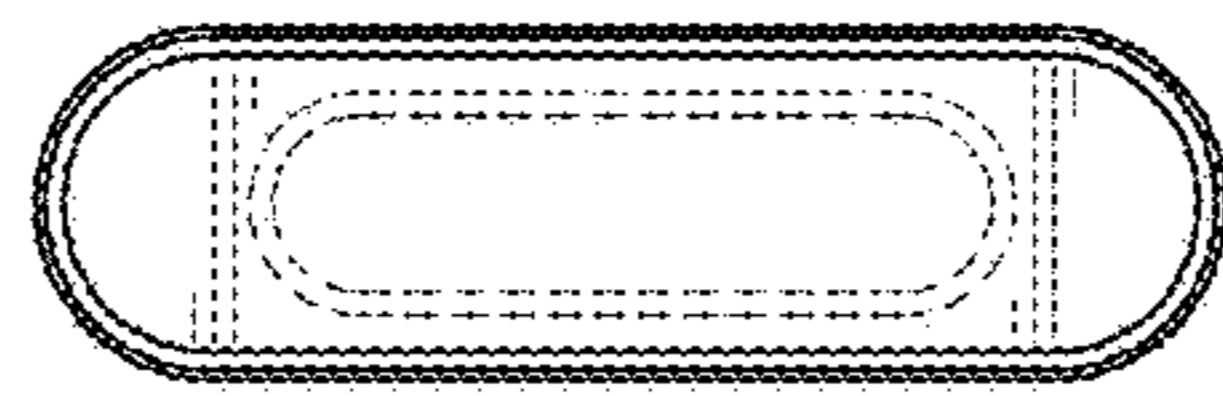


FIG. 9

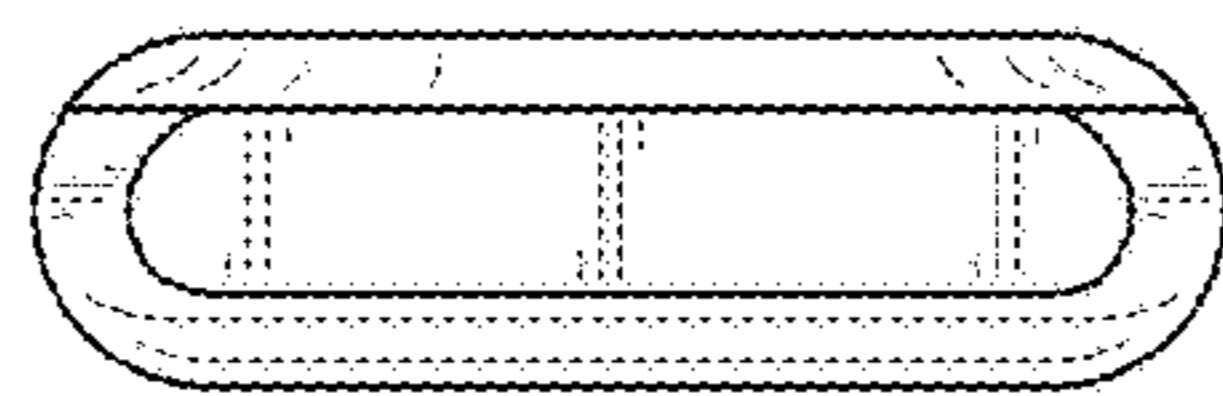


FIG. 10

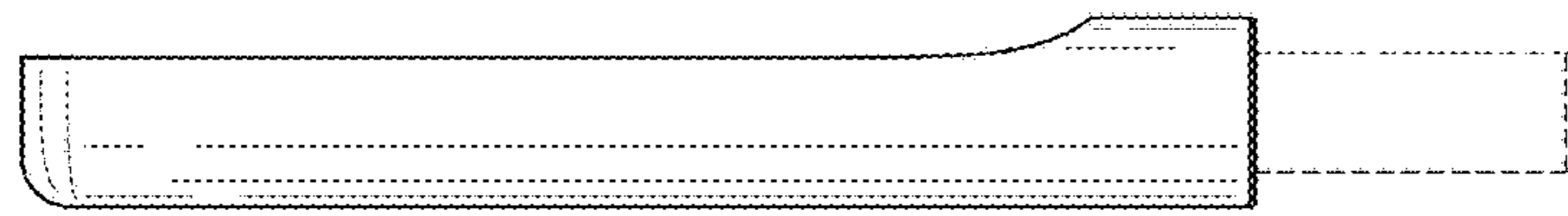


FIG. 11

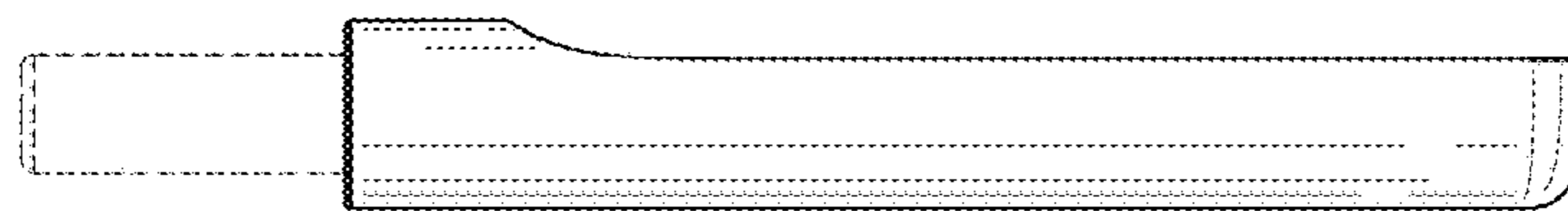


FIG. 12

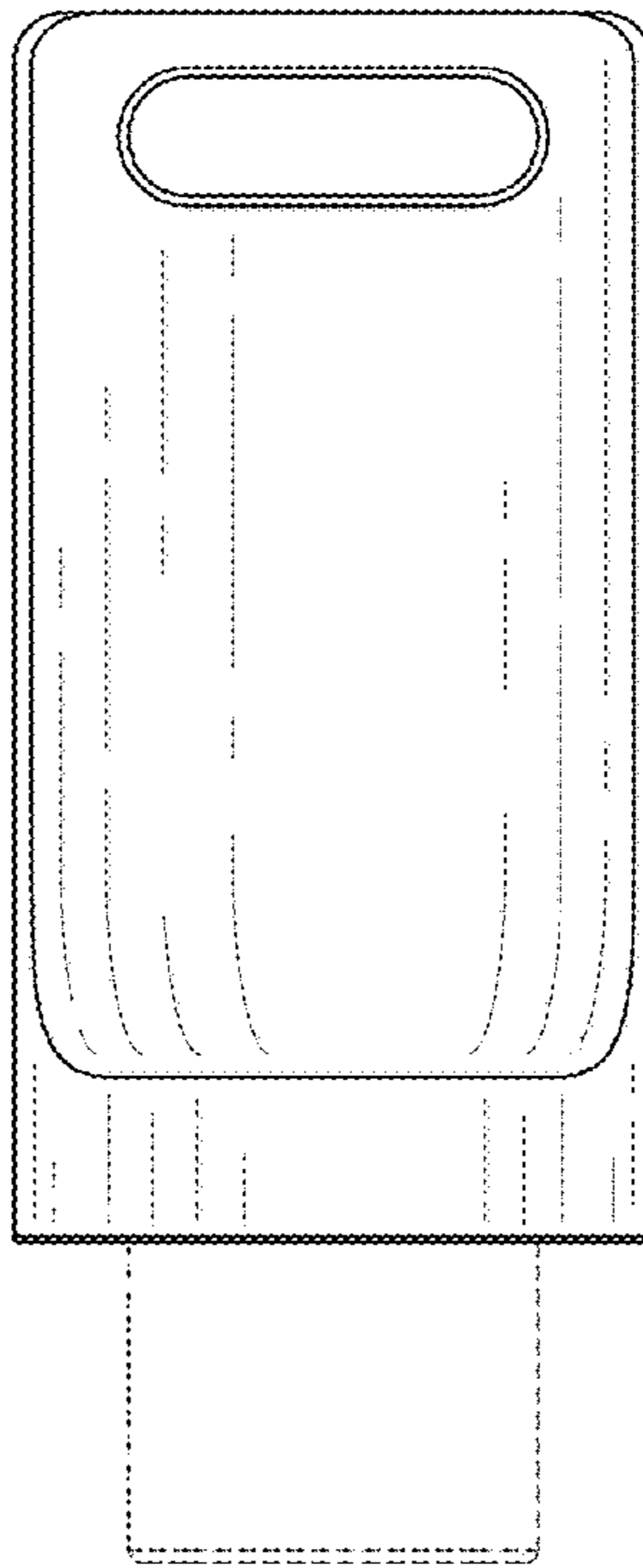


FIG. 13

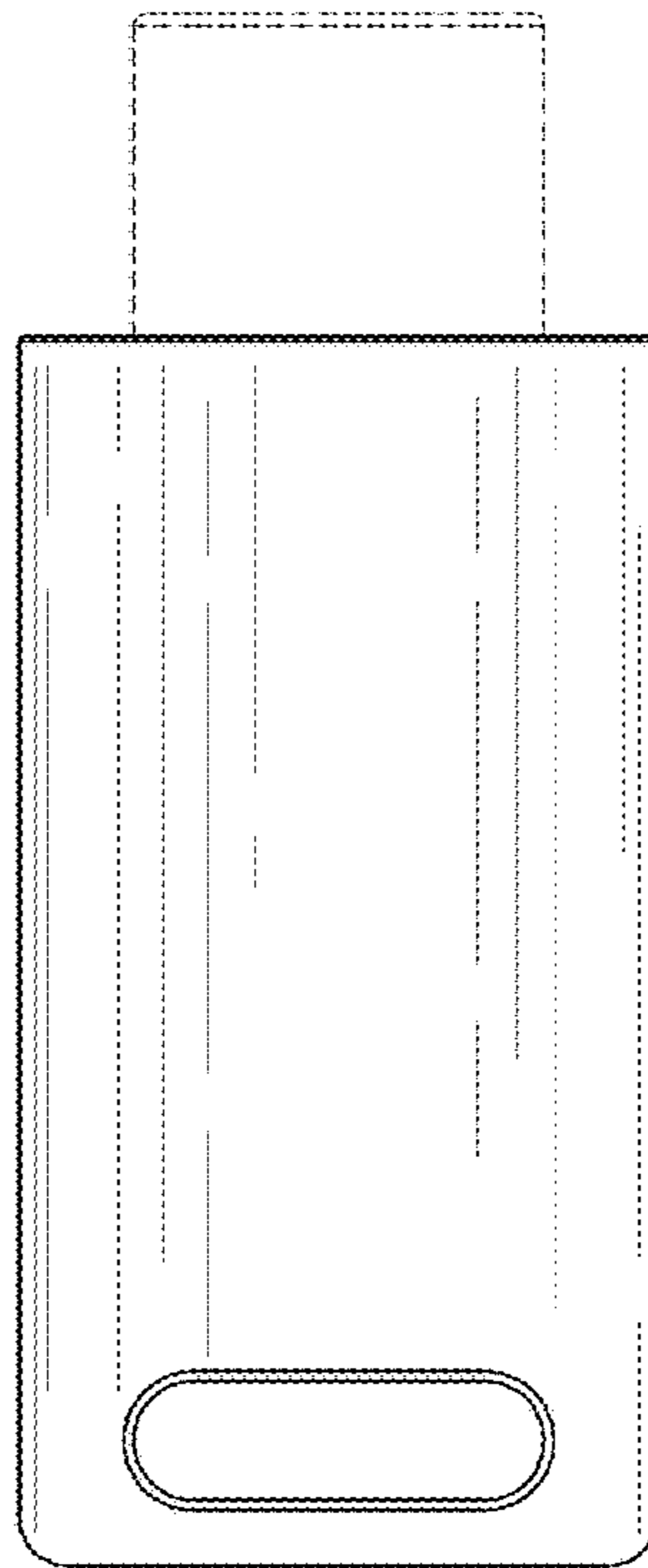


FIG. 14

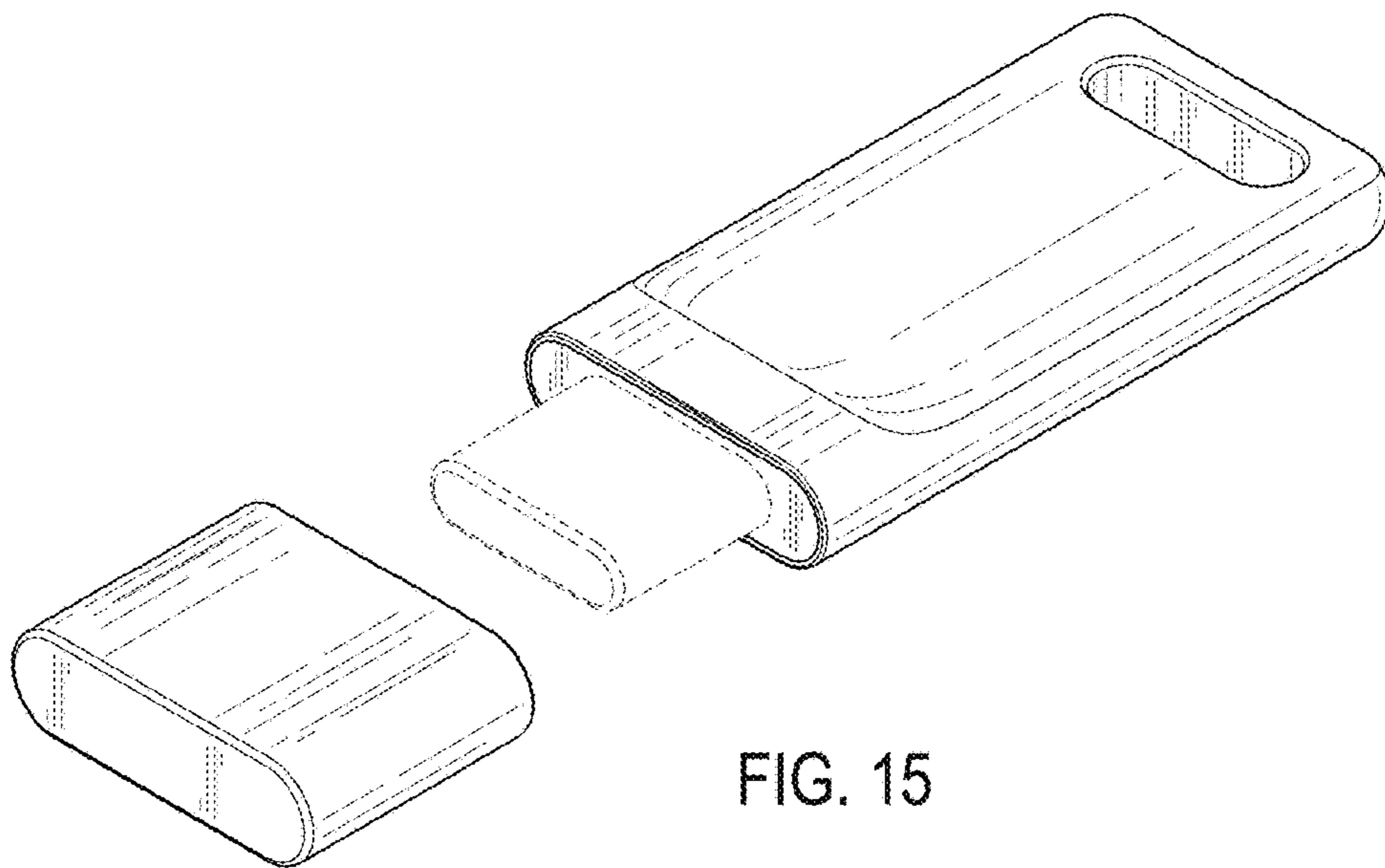


FIG. 15