



US00D842307S

(12) **United States Design Patent**
Lin et al.

(10) **Patent No.:** **US D842,307 S**
(45) **Date of Patent:** **** Mar. 5, 2019**

- (54) **DATA ACCESSING DEVICE**
- (71) Applicant: **Kingston Digital, Inc.**, Fountain Valley, CA (US)
- (72) Inventors: **Yi-Ting Lin**, Hsinchu (TW); **Yu-kuo Huang**, Hsinchu (TW); **Peter Leekuo Chou**, Fountain Valley, CA (US)
- (73) Assignee: **Kingston Digital, Inc.**, Fountain Valley, CA (US)
- (**) Term: **15 Years**
- (21) Appl. No.: **29/599,062**
- (22) Filed: **Mar. 30, 2017**
- (51) **LOC (11) Cl.** **14-03**
- (52) **U.S. Cl.**
USPC **D14/480.5**
- (58) **Field of Classification Search**
USPC D14/435.1, 480.1-480.7, 411, 433, 436, D14/484.1, 137, 155, 203.1-203.8, 240, D14/242, 133, 154
CPC H05K 5/0278; G06K 19/07732
See application file for complete search history.

D648,730 S *	11/2011	Huang	D14/480.5
D687,042 S *	7/2013	Yoneta	D14/480.5
D706,278 S *	6/2014	Fukuoka	D14/480.5
D754,138 S *	4/2016	Otsuka	D14/480.1
D759,028 S *	6/2016	Emami	D14/480.1
D784,358 S *	4/2017	Chung	D14/480.5
D785,001 S *	4/2017	Shim	D14/480.1
D798,308 S *	9/2017	Tzeng	D14/480.5
D798,878 S *	10/2017	Huang	D14/480.1
D826,950 S *	8/2018	Roberts	D14/480.7

* cited by examiner

Primary Examiner — Angela J Lee

(74) *Attorney, Agent, or Firm* — Skaar Ulbrich Macari, P.A.

(57) **CLAIM**

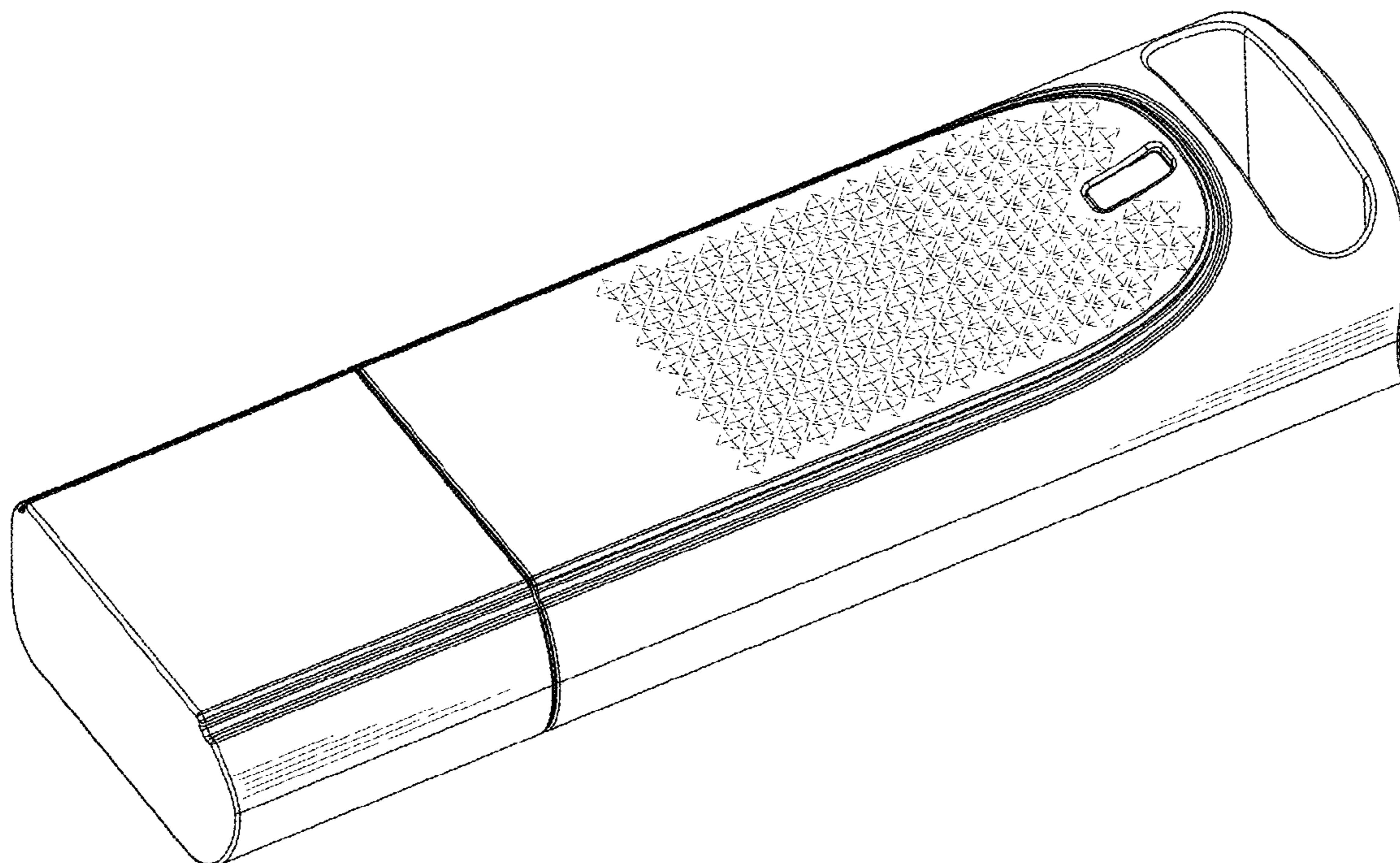
The ornamental design for a data accessing device, as shown and described.

DESCRIPTION

FIG. 1 is a perspective view of a data accessing device showing the claimed design;
 FIG. 2 is another perspective view of FIG. 1;
 FIG. 3 is a front elevational view of FIG. 1;
 FIG. 4 is a rear elevational view of FIG. 1;
 FIG. 5 is a left side elevational view of FIG. 1;
 FIG. 6 is a right side elevational view of FIG. 1;
 FIG. 7 is a top plan view of FIG. 1; and,
 FIG. 8 is a bottom plan view of FIG. 1.
 The broken lines in the figures represent portions of the article which form no part of the claimed design.

1 Claim, 5 Drawing Sheets

- (56) **References Cited**
U.S. PATENT DOCUMENTS
D583,374 S * 12/2008 Otsuka D14/480.5
D624,920 S * 10/2010 Sheppard D14/435.1
D629,409 S * 12/2010 Lo D14/480.7



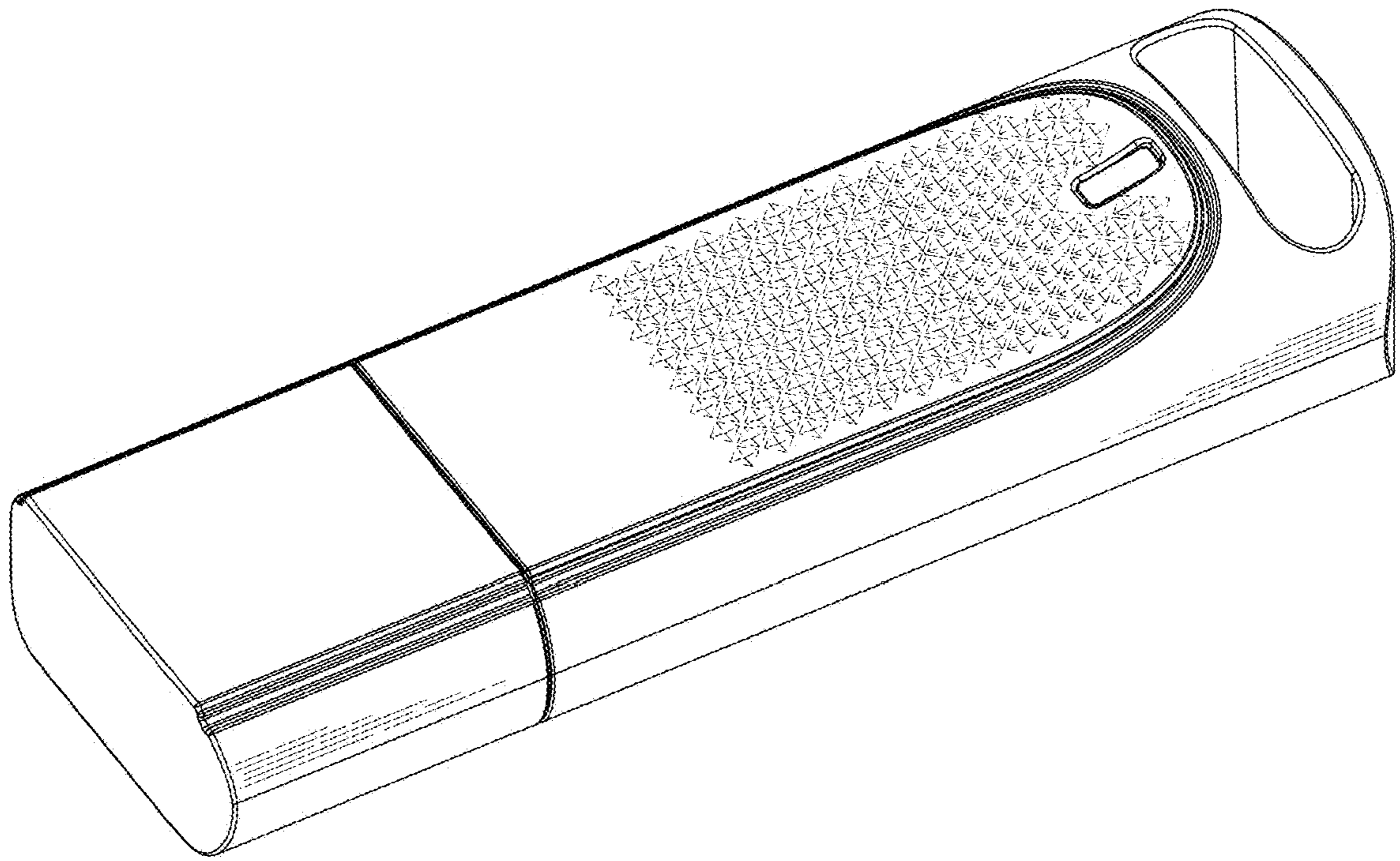


FIG. 1

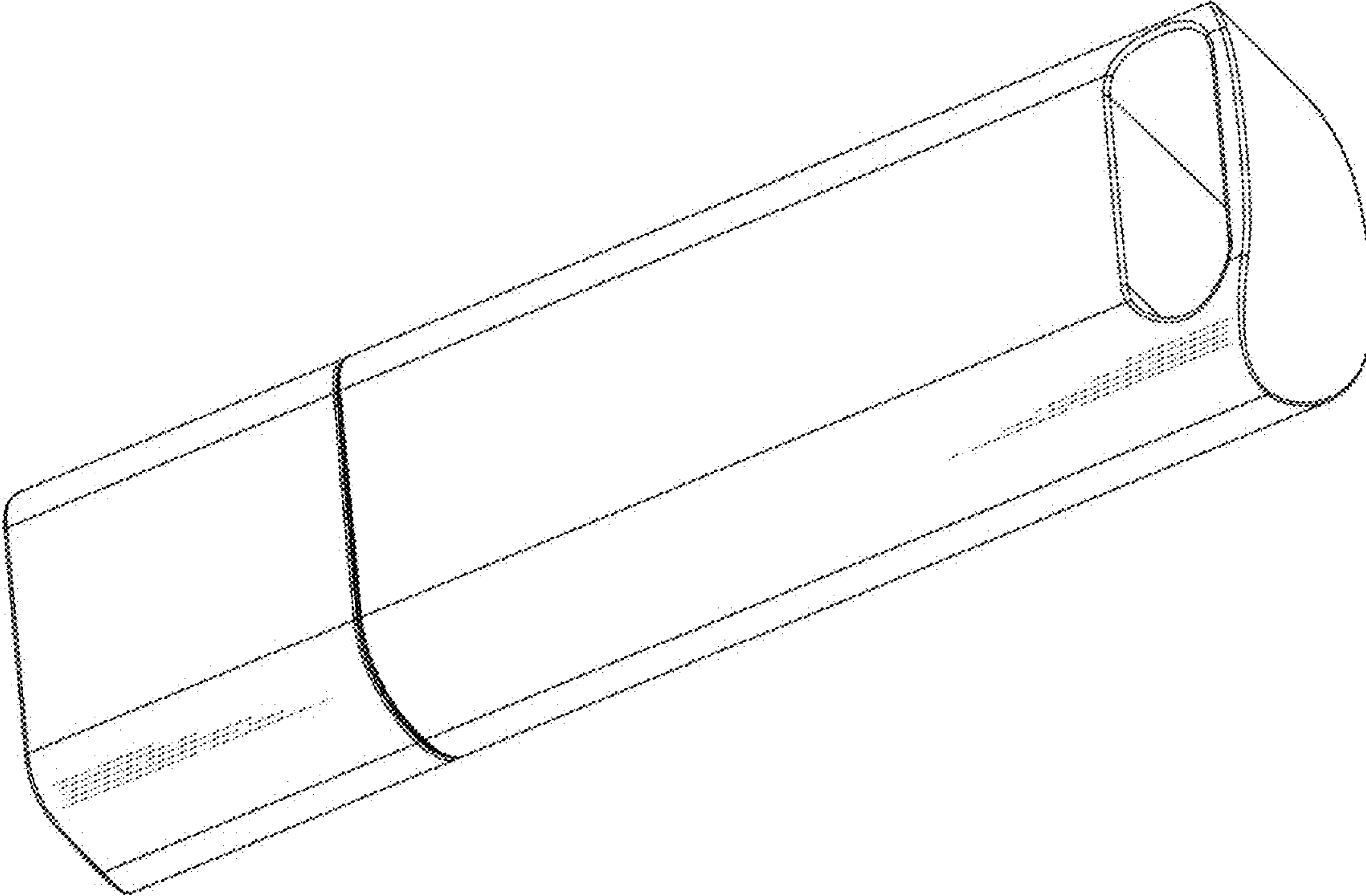


FIG. 2

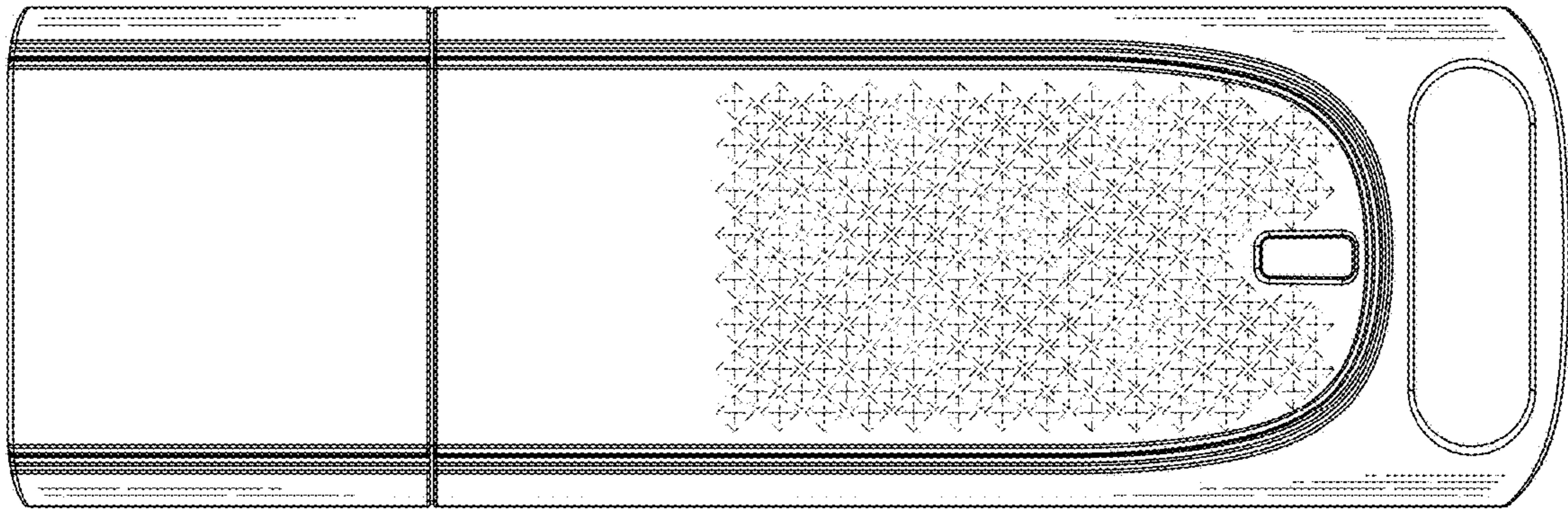


FIG. 3

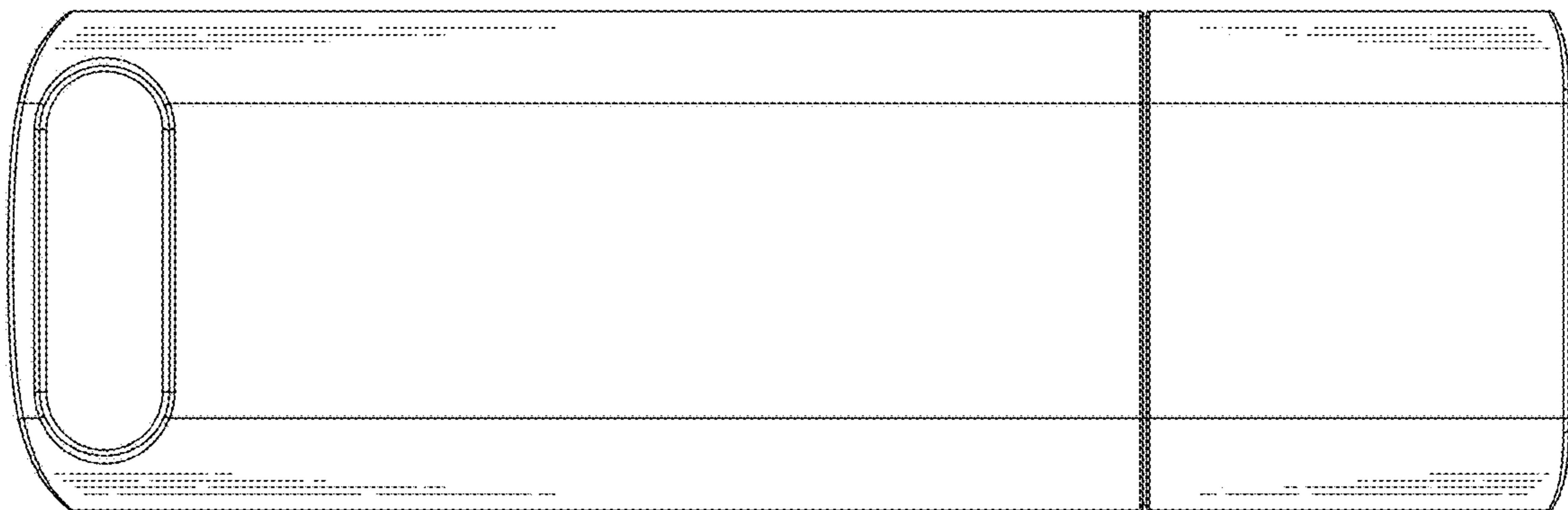


FIG. 4

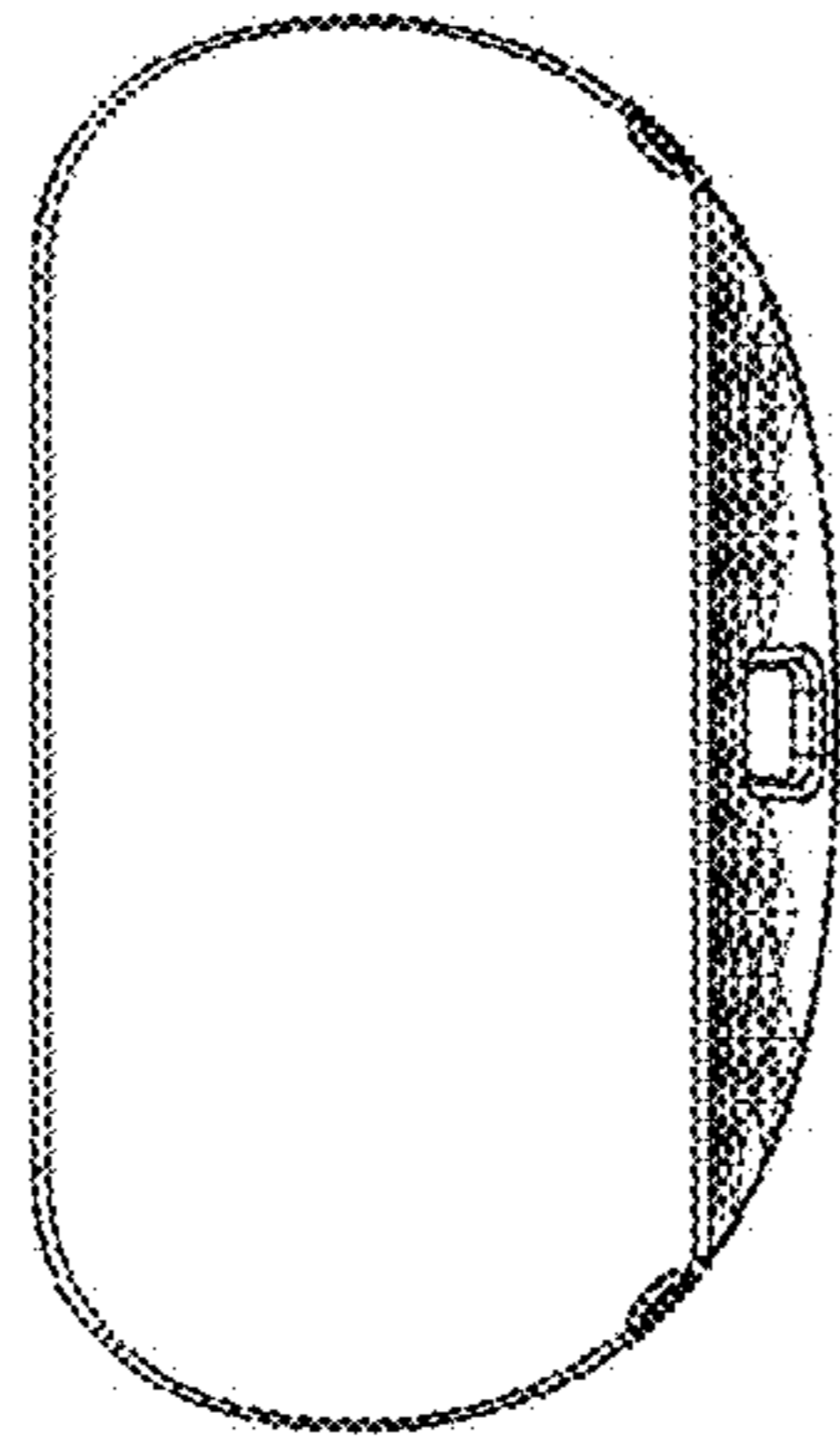


FIG. 5

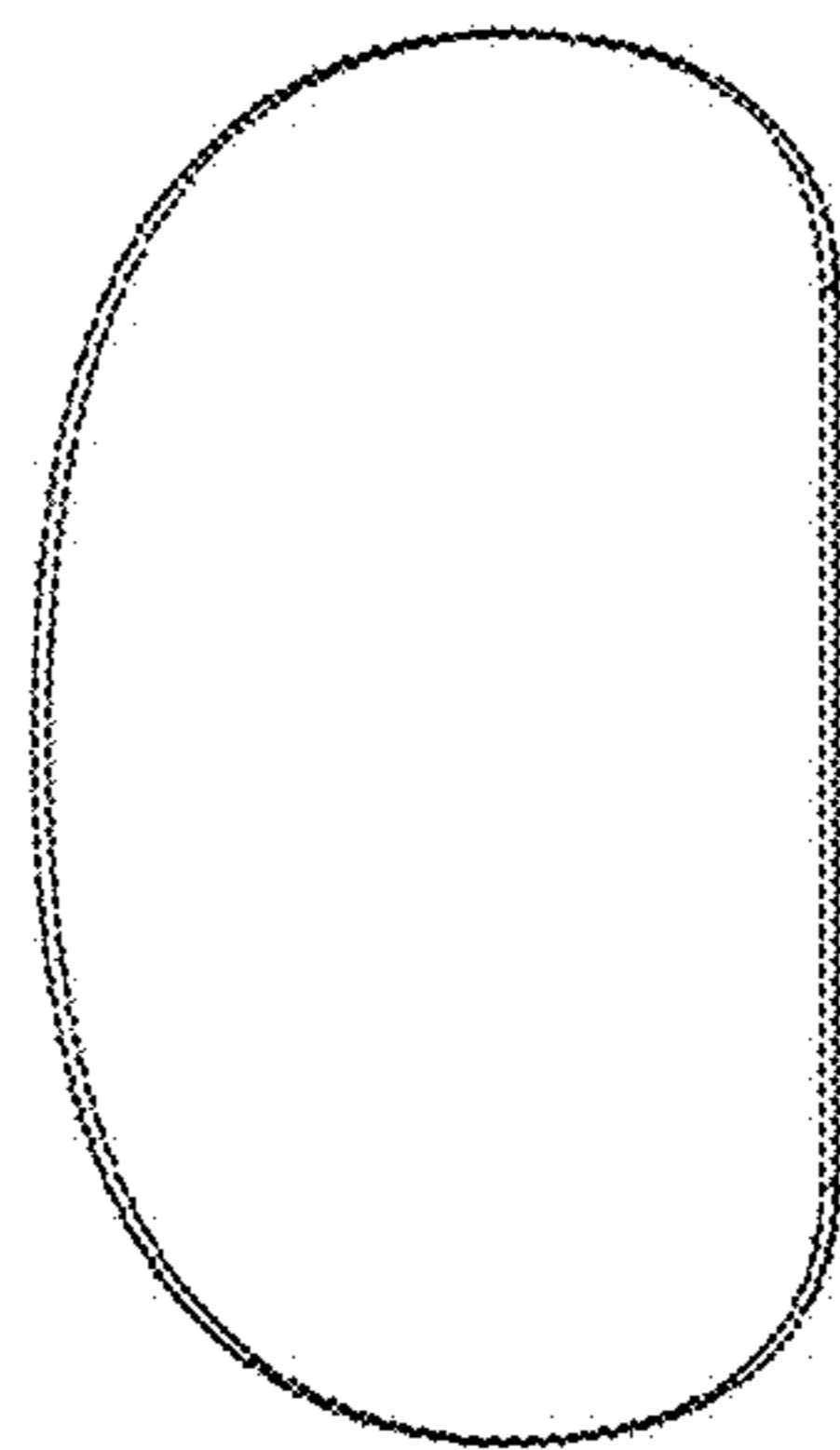


FIG. 6

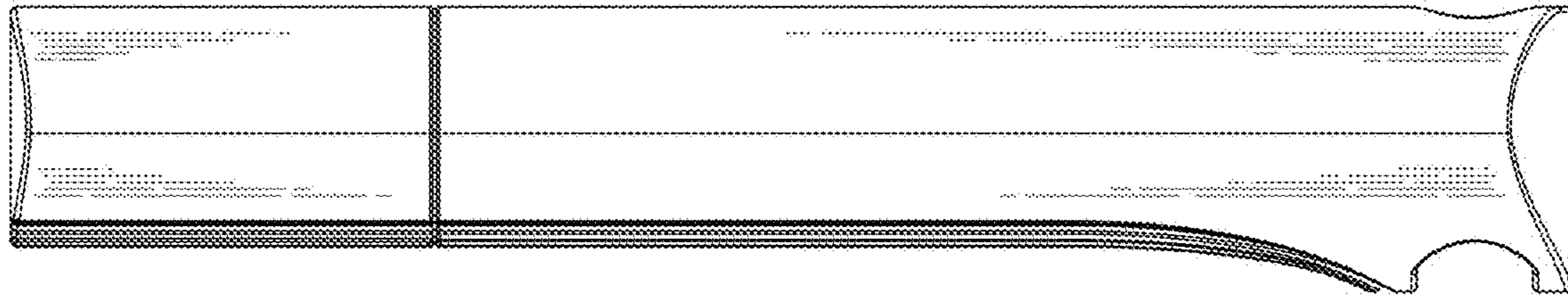


FIG. 7

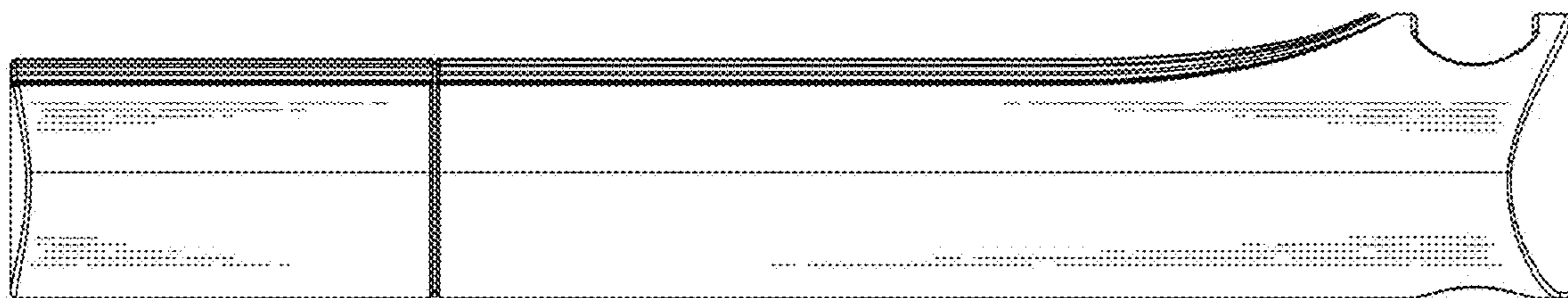


FIG. 8