



US00D842306S

(12) **United States Design Patent** (10) **Patent No.:** **US D842,306 S**
Lindo et al. (45) **Date of Patent:** **** Mar. 5, 2019**

(54) **ARTICULATING ARM**

(71) Applicant: **Southco, Inc.**, Concordville, PA (US)

(72) Inventors: **Benjamin Gerald Lindo**, Philadelphia, PA (US); **Glenn Eric Anderson**, Malvern, PA (US)

(73) Assignee: **SOUTHCO, INC.**, Concordville, PA (US)

(**) Term: **15 Years**

(21) Appl. No.: **29/557,005**

(22) Filed: **Mar. 4, 2016**

(51) **LOC (11) Cl.** **14-02**

(52) **U.S. Cl.**
USPC **D14/452**

(58) **Field of Classification Search**
USPC D14/371-382, 125-129, 335-337, D14/447-452, 492, 239, 457, 439-441, D14/432, 251-253, 434; D8/349, 354, D8/363, 373, 376, 380; 348/180, 184, 348/325, 739, 825; D12/407, 415; D3/218; 341/12; 248/323, 278.1, 286.1
CPC G06F 3/0412; G06F 3/016; G06F 3/0488; G06F 3/011; G06F 3/038; G06F 3/03543; G06F 3/0338; G06F 3/0202; G06F 3/0219; G06F 3/0213; G06F 1/1616; G06F 3/023; G06F 3/04883; G02F 1/13338; G02F 1/1313; G02F 1/1333; G02F 1/135; G02F 1/132; G02F 1/133308; G02F 1/134309; G02F 1/13718; G09G 3/3648; G06K 15/1252; B41J 2/465; G03F 7/70291; G02B 27/0172; G02B 5/30; G02B 2027/0118; G02B 27/0101; F16M 13/02; F16M 13/00; F16M 11/10; F16M 11/04; F16M 2200/08; F16M 11/2021; A47B 21/0314; A47B 88/044; A47B 2021/0335; H02G 3/126; F16B 47/00; F16B 47/006; A47G 1/17; A47K 2201/00

See application file for complete search history.

(56) **References Cited**

U.S. PATENT DOCUMENTS

D232,372 S 8/1974 Grant
D269,253 S 6/1983 Gagnon
D275,431 S * 9/1984 Usab 248/921
5,195,891 A 3/1993 Sulc
D391,444 S 3/1998 Munari
5,743,503 A 4/1998 Voeller et al.

(Continued)

FOREIGN PATENT DOCUMENTS

JP 2016019043 A 2/2016

OTHER PUBLICATIONS

Notifications of Reasons for Rejection for Japanese Application No. 2017-010325, dated Aug. 29, 2017, including English translation, 3 pages.

Primary Examiner — Katie Jane Stofko

(74) *Attorney, Agent, or Firm* — RatnerPrestia

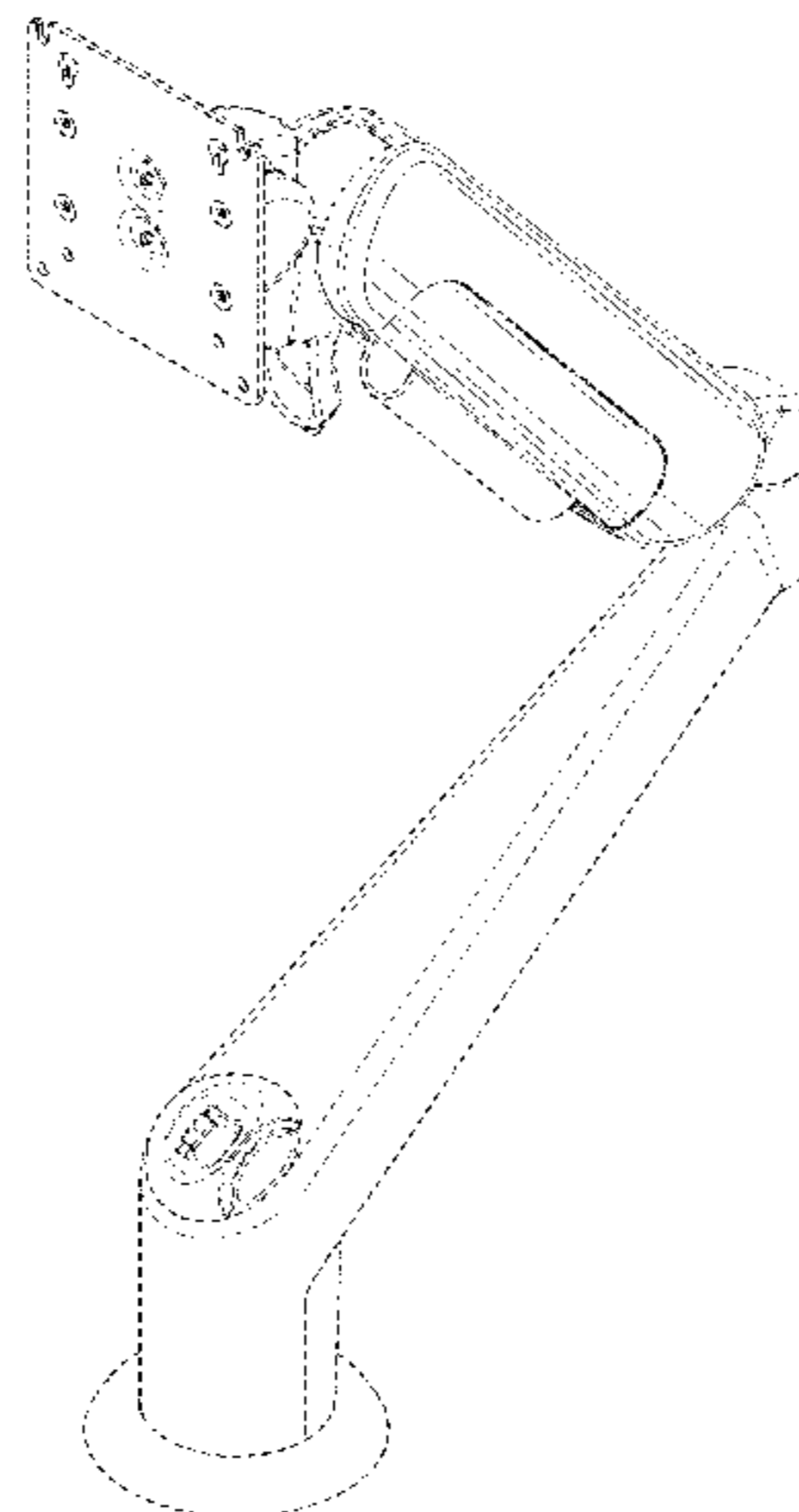
(57) **CLAIM**

The ornamental design for an articulating arm, as shown and described.

DESCRIPTION

FIG. 1 is an isometric right-side view of an articulating arm; FIG. 2 is a front elevation view thereof; FIG. 3 is a rear elevation view thereof; FIG. 4 is a left side elevation view thereof; FIG. 5 is a right side elevation view thereof; FIG. 6 is a top plan view thereof; FIG. 7 is a bottom plan view thereof; and, FIG. 8 is an isometric right-side view of the articulating arm of FIG. 1 shown in a lowered position. The broken lines in FIGS. 1-8 illustrate portions of the articulating arm that form no part of the claimed design.

1 Claim, 8 Drawing Sheets



(56)

References Cited

U.S. PATENT DOCUMENTS

| | | | |
|-----------------|---------|---------------------|--------------------------|
| D451,317 S | 12/2001 | Hsieh | |
| D462,969 S | 9/2002 | Scharer et al. | |
| D470,011 S | 2/2003 | Munari | |
| 480,376 A1 | 10/2003 | Ma | |
| D488,708 S | 4/2004 | Lam et al. | |
| D493,565 S * | 7/2004 | Smith | D26/118 |
| D494,183 S * | 8/2004 | Wills | D14/452 |
| D506,257 S | 6/2005 | Smith | |
| D510,571 S | 10/2005 | Cutler et al. | |
| D534,789 S | 1/2007 | Worrall et al. | |
| D537,323 S | 2/2007 | Saez | |
| D541,807 S * | 5/2007 | Oddsens, Jr. | D14/452 |
| D541,808 S * | 5/2007 | Oddsens, Jr. | D14/452 |
| D544,489 S * | 6/2007 | Oddsens, Jr. | D14/452 |
| 553,123 A1 | 10/2007 | Solland | |
| D558,207 S | 12/2007 | Ikeda et al. | |
| 558,208 A1 | 12/2007 | Ikeda et al. | |
| D562,114 S * | 2/2008 | Chiu | D14/451 |
| D570,853 S * | 6/2008 | Derry | D14/452 |
| 7,389,965 B2 | 6/2008 | Oddsens, Jr. et al. | |
| D577,731 S * | 9/2008 | Altonji | D14/452 |
| D598,240 S | 8/2009 | Josancy | |
| D602,287 S | 10/2009 | Grove | |
| 7,694,927 B2 * | 4/2010 | Chuang | F16M 11/041 248/276.1 |
| D618,960 S | 7/2010 | Chafai et al. | |
| D631,052 S * | 1/2011 | Hung | D14/452 |
| D645,868 S * | 9/2011 | Lau | D14/452 |
| D651,199 S * | 12/2011 | Huang | D14/239 |
| D654,503 S * | 2/2012 | Sapper | D14/452 |
| 659,341 A1 | 5/2012 | Gillis et al. | |
| D660,845 S * | 5/2012 | Schmauch | D14/452 |
| D662,103 S | 6/2012 | Brandt | |
| D662,104 S * | 6/2012 | Brandt | D14/452 |
| D663,576 S | 7/2012 | McEldowney | |
| D666,207 S * | 8/2012 | Brandt | D14/452 |
| D670,544 S | 11/2012 | Junker et al. | |
| D670,786 S | 11/2012 | Mauchle et al. | |
| D679,282 S * | 4/2013 | Liu | D14/452 |
| D682,258 S | 5/2013 | Anderson | |
| D686,495 S | 7/2013 | Murray | |
| D688,674 S * | 8/2013 | Lau | D14/452 |
| D696,325 S | 12/2013 | Dekar | |
| D708,259 S * | 7/2014 | Fagan | D19/108 |
| D711,307 S | 8/2014 | Fair | |
| D712,015 S | 8/2014 | Yu | |
| D717,298 S | 11/2014 | Sale et al. | |
| D729,814 S | 5/2015 | Anderson | |
| D729,815 S * | 5/2015 | Anderson | D14/452 |
| D733,105 S | 6/2015 | Wengreen | |
| 9,074,721 B2 * | 7/2015 | Lau | F16M 13/02 |
| D740,830 S * | 10/2015 | Chu | D14/452 |
| D743,537 S | 11/2015 | Answine et al. | |
| D745,873 S * | 12/2015 | Xiang | D14/452 |
| D747,179 S | 1/2016 | Xiang et al. | |
| D751,566 S | 3/2016 | Anderson | |
| D752,305 S | 3/2016 | DePietro | |
| 9,316,346 B2 * | 4/2016 | Lau | F16M 11/126 |
| D757,014 S | 5/2016 | Hahn et al. | |
| D758,375 S * | 6/2016 | Won | D14/451 |
| 9,405,498 B2 | 8/2016 | Nishi | |
| D772,236 S | 11/2016 | Anderson | |
| D779,662 S | 2/2017 | Smith | |
| D786,884 S * | 5/2017 | Borloz | D14/452 |
| D789,373 S | 6/2017 | King | |
| D794,572 S | 8/2017 | Corona | |
| 9,746,125 B2 | 8/2017 | Bowman et al. | |
| D796,519 S * | 9/2017 | Hung | D14/452 |
| D797,928 S | 9/2017 | Davis et al. | |
| 9,759,371 B2 | 9/2017 | Borloz et al. | |
| D799,000 S | 10/2017 | Chen | |
| D801,791 S | 11/2017 | DePietro | |
| D805,085 S | 12/2017 | Xiang et al. | |
| D808,099 S | 1/2018 | Yoo et al. | |
| D808,801 S | 1/2018 | Cooper et al. | |
| D809,519 S | 2/2018 | Jung et al. | |
| D811,849 S | 3/2018 | Chou | |
| D813,009 S | 3/2018 | Lindo et al. | |
| D815,105 S | 4/2018 | Jung et al. | |
| D815,643 S | 4/2018 | Bowman et al. | |
| D818,309 S | 5/2018 | Jasso Gomez | |
| D819,015 S | 5/2018 | Lee | |
| 2003/0146359 A1 | 8/2003 | Oddsens, Jr. | |
| 2012/0267497 A1 | 10/2012 | Bowman et al. | |
| 2016/0305600 A1 | 10/2016 | Bowman et al. | |

* cited by examiner

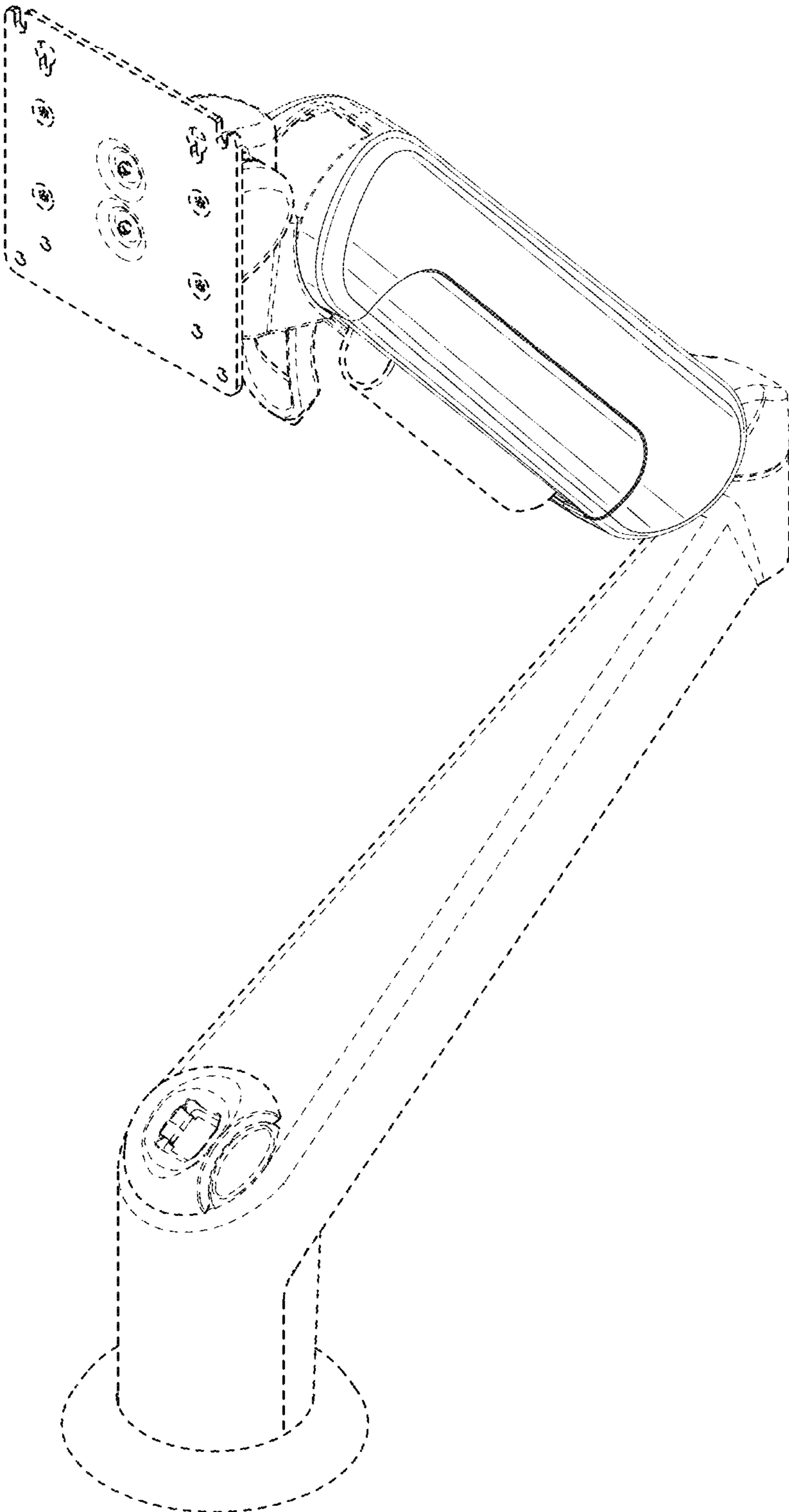


FIG. 1

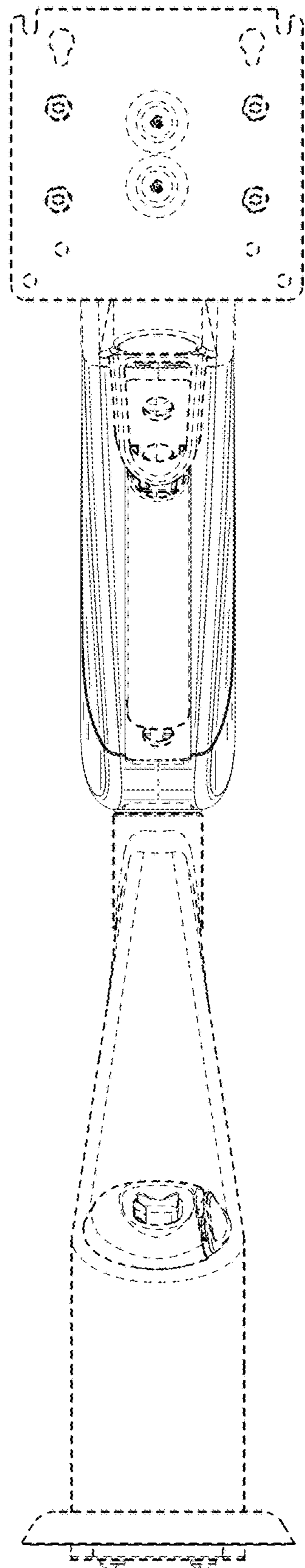


FIG. 2

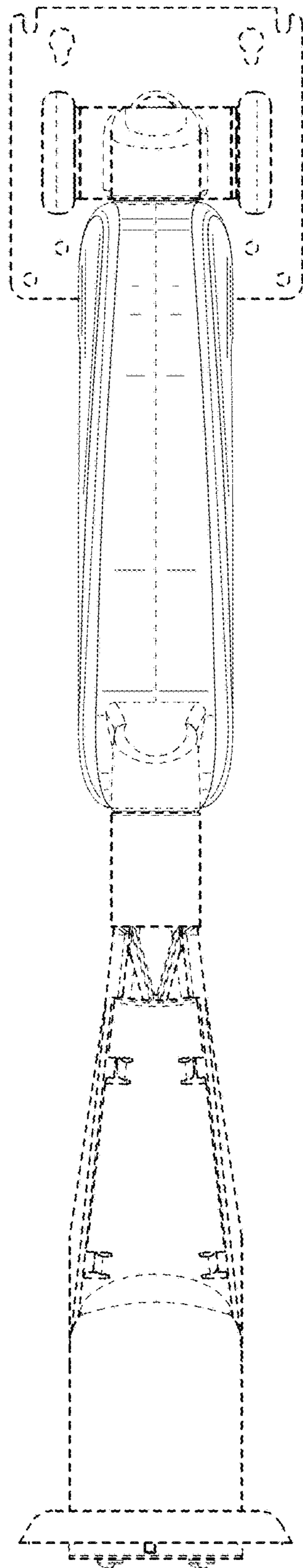


FIG. 3

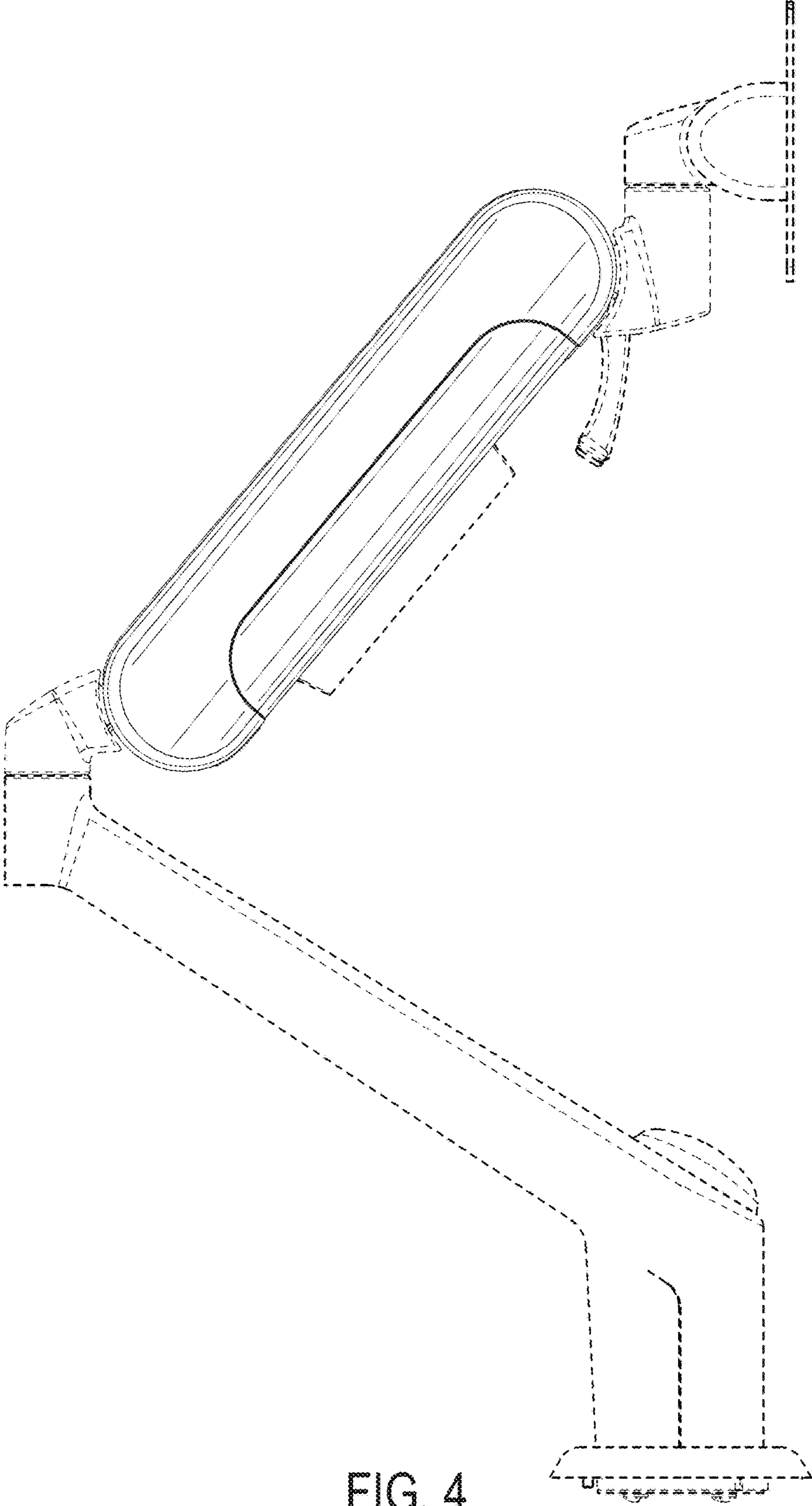


FIG. 4

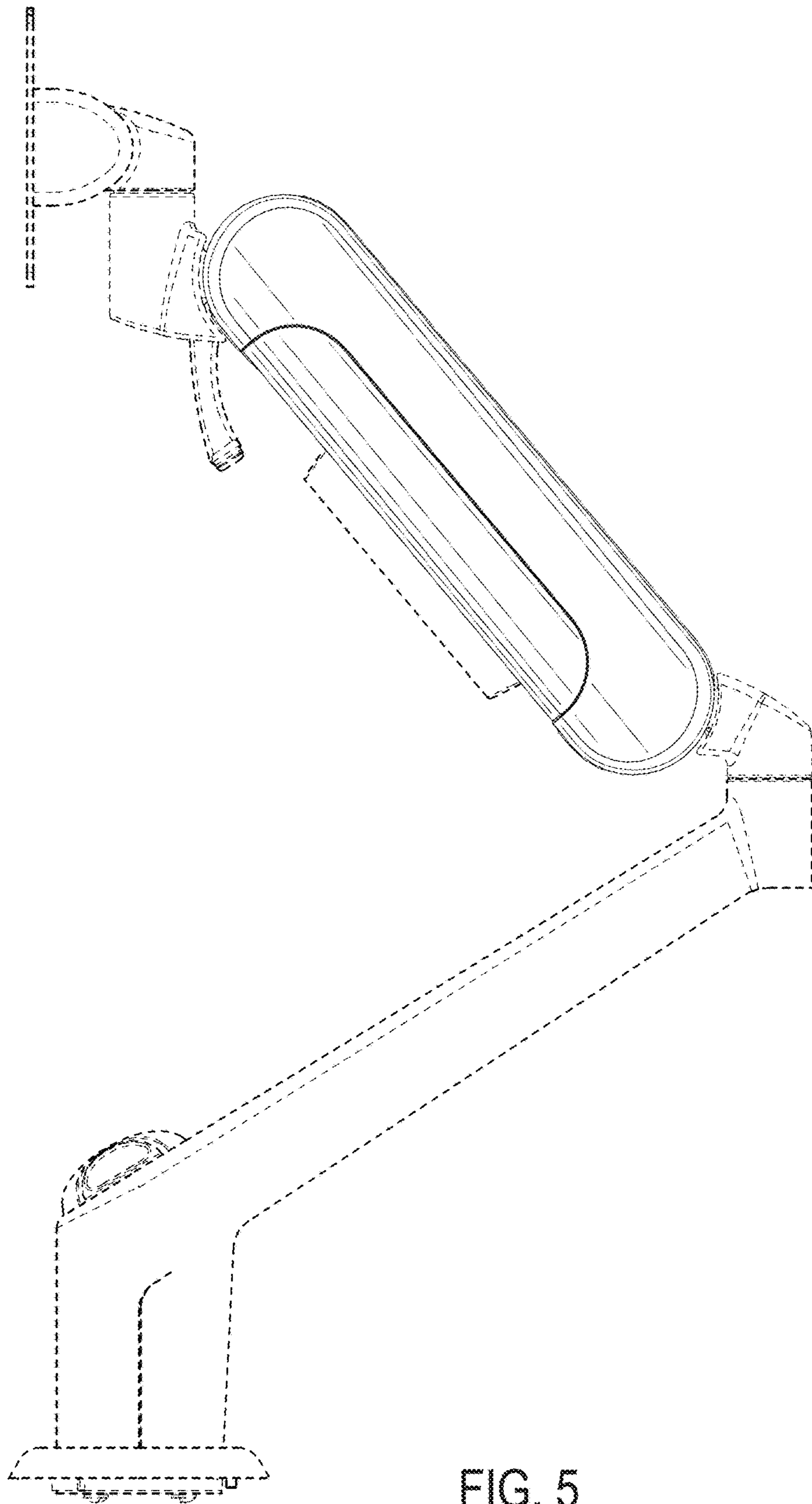


FIG. 5

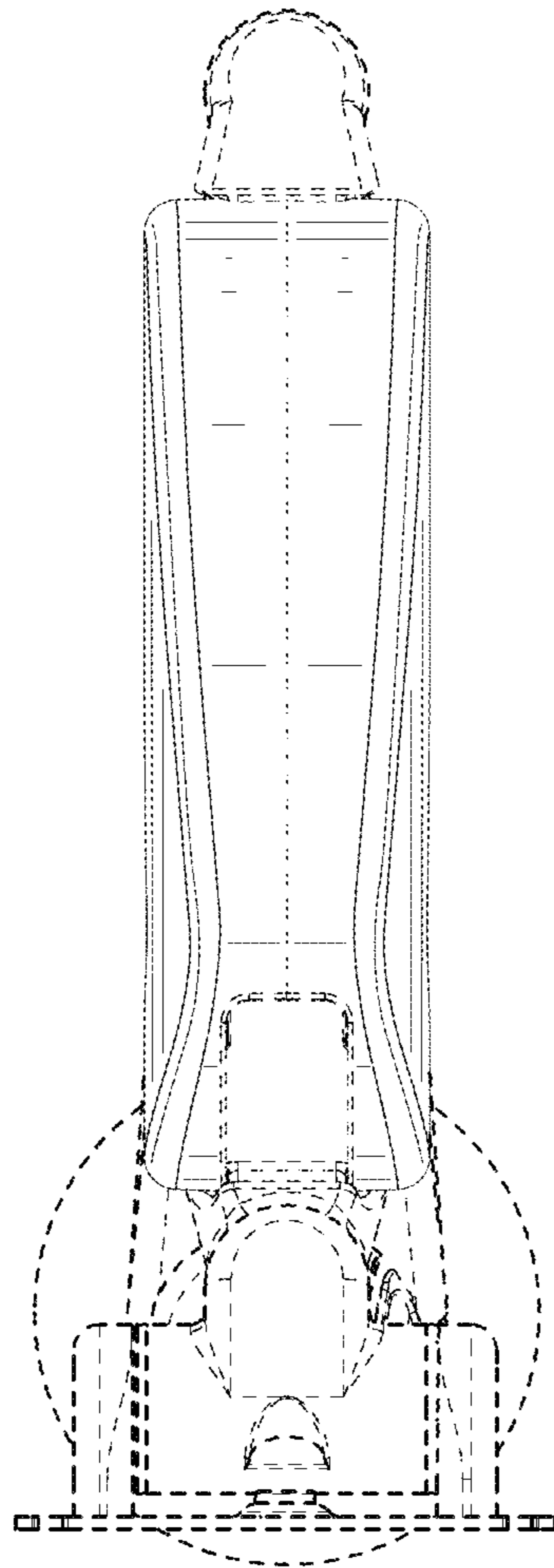


FIG. 6

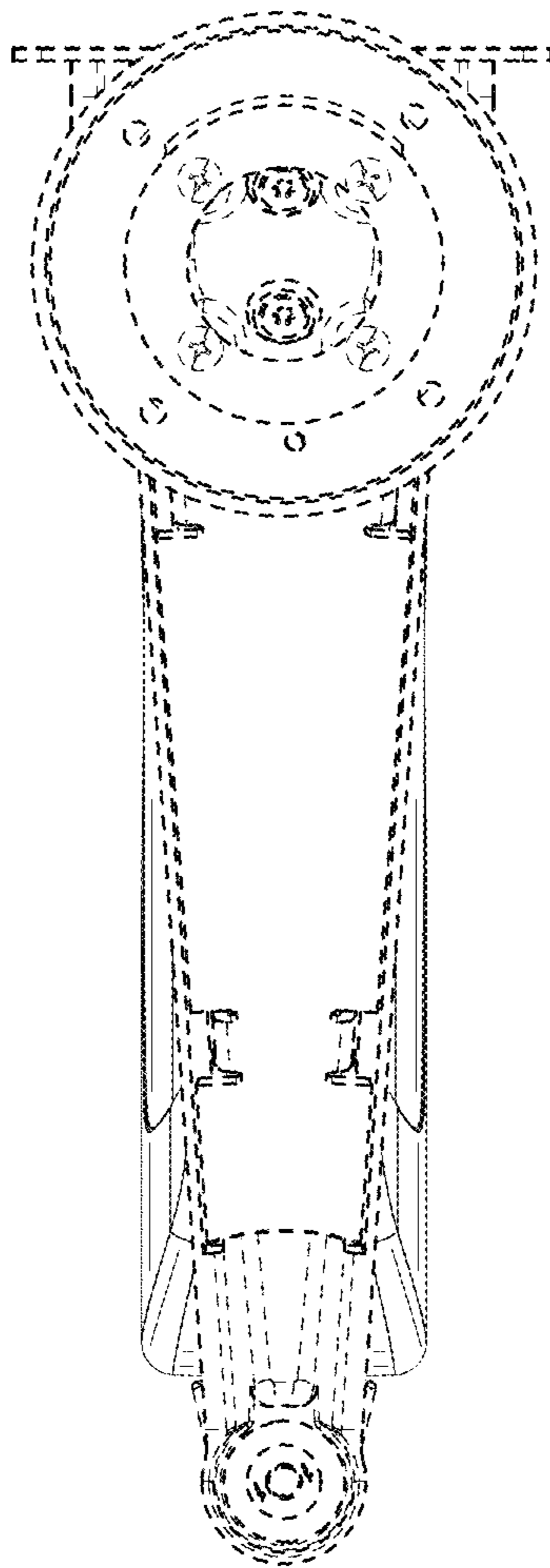


FIG. 7

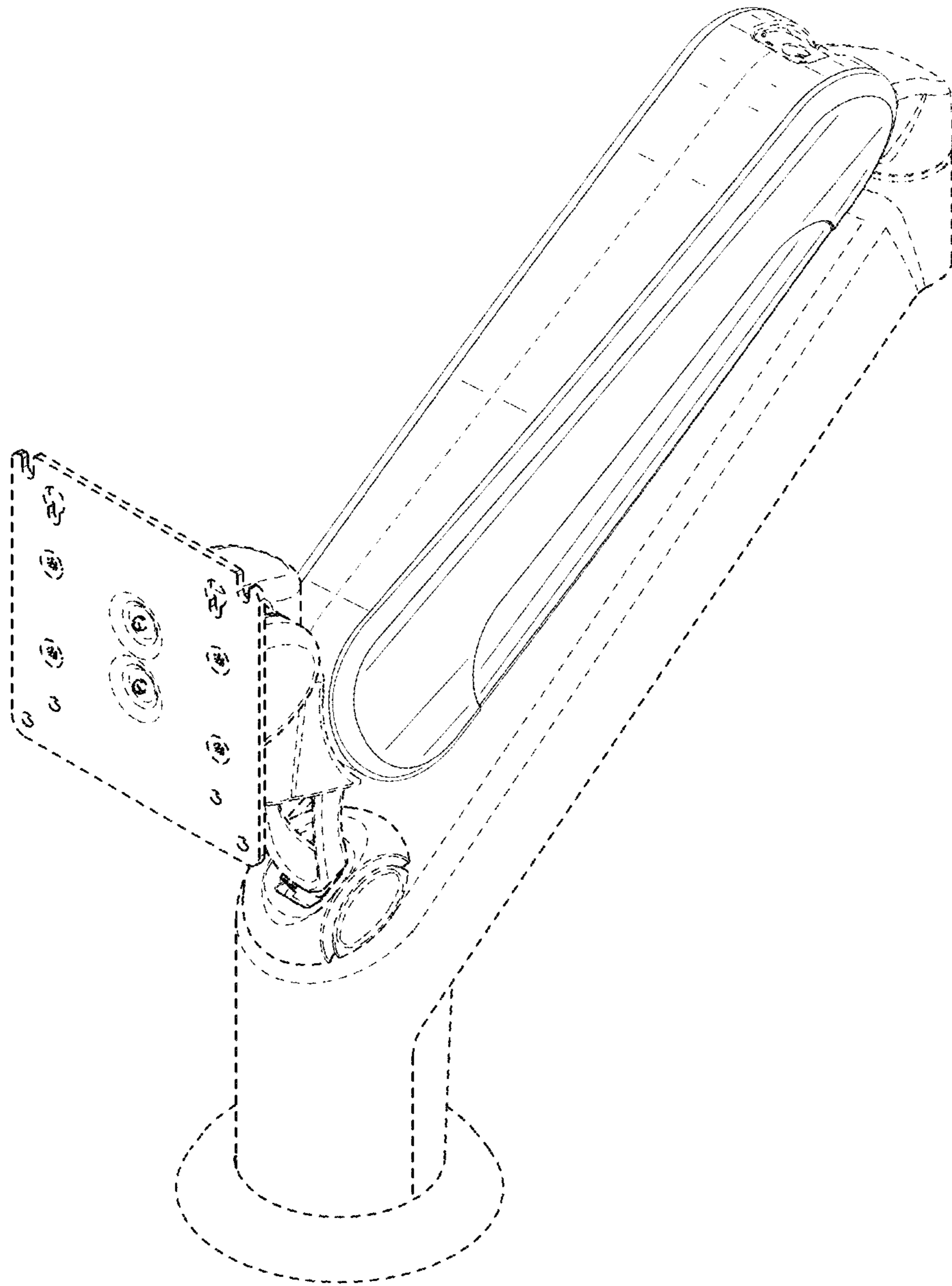


FIG. 8