



US00D842305S

(12) **United States Design Patent** (10) **Patent No.:** **US D842,305 S**
Gao (45) **Date of Patent:** **** Mar. 5, 2019**

(54) **STAND FOR ELECTRONIC DEVICES**
 (71) Applicant: **Binliang Gao**, Shenzhen (CN)
 (72) Inventor: **Binliang Gao**, Shenzhen (CN)
 (73) Assignee: **SHENZHEN SHENGWANG TECHNOLOGY CO., LTD.**, Shenzhen (CN)

D722,317 S * 2/2015 Parameshwara D14/447
 D752,595 S * 3/2016 Heckler D14/447
 D754,135 S * 4/2016 Cromack D14/447
 D756,367 S * 5/2016 Kim D14/447
 D779,478 S * 2/2017 Justiss D14/253
 D784,353 S * 4/2017 Brown D14/447
 D788,780 S * 6/2017 Chen D14/447
 D798,871 S * 10/2017 Avganim D14/447
 D825,575 S * 8/2018 Gao D14/447
 D829,215 S * 9/2018 Magargee D14/447
 D829,725 S * 10/2018 Luo D14/447

(**) Term: **15 Years**

* cited by examiner

(21) Appl. No.: **29/634,199**

Primary Examiner — Angela J Lee

(22) Filed: **Jan. 19, 2018**

(74) *Attorney, Agent, or Firm* — Law Offices of Steven W. Weinrieb

(51) **LOC (11) Cl.** **08-07**

(52) **U.S. Cl.**
USPC **D14/447**

(57) **CLAIM**

The ornamental design for a stand for electronic devices, as shown and described.

(58) **Field of Classification Search**
 USPC D14/447, 432, 434, 439, 440, 451, 452,
 D14/457, 239; D8/363, 373, 380;
 D6/406.3, 406.4, 406.5, 406.6; D12/415
 CPC A47B 21/04; A47B 2097/006; A47B
 2097/005; A47B 2023/049; A45C
 2011/002; A45C 2011/003; F16M
 2200/00; F16M 13/00
 See application file for complete search history.

DESCRIPTION

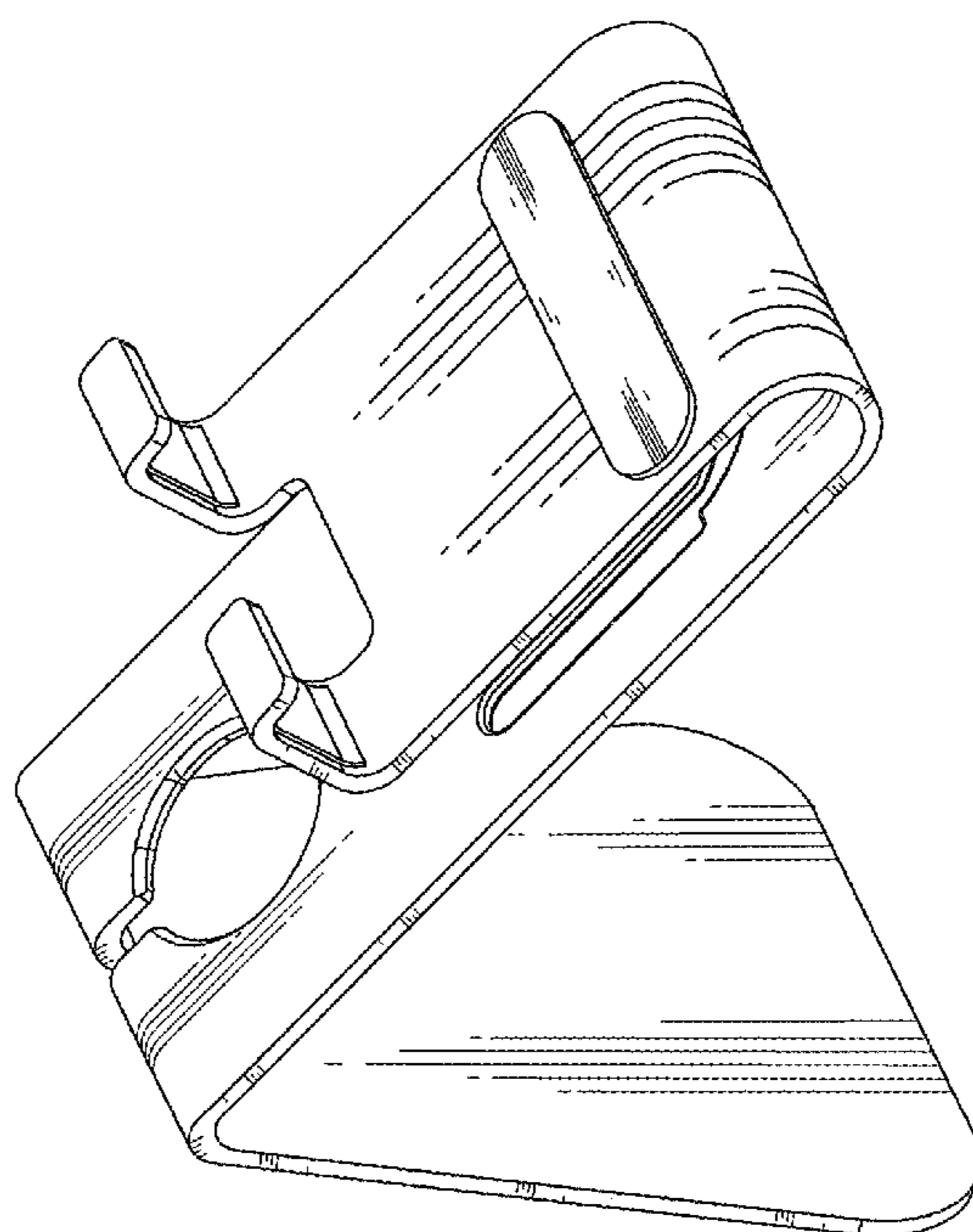
FIG. 1 is a front, right side, top perspective view of the stand for electronic devices showing my new design;
 FIG. 2 is a rear, right side, bottom perspective view thereof;
 FIG. 3 is a front elevational view thereof;
 FIG. 4 is a rear elevational view thereof;
 FIG. 5 is a left side elevational view thereof;
 FIG. 6 is a right side elevational view thereof;
 FIG. 7 is a top plan view thereof; and,
 FIG. 8 is a bottom plan view thereof.

(56) **References Cited**

U.S. PATENT DOCUMENTS

D667,012 S * 9/2012 Chen D14/447
 D703,676 S * 4/2014 Smith D14/447

1 Claim, 8 Drawing Sheets



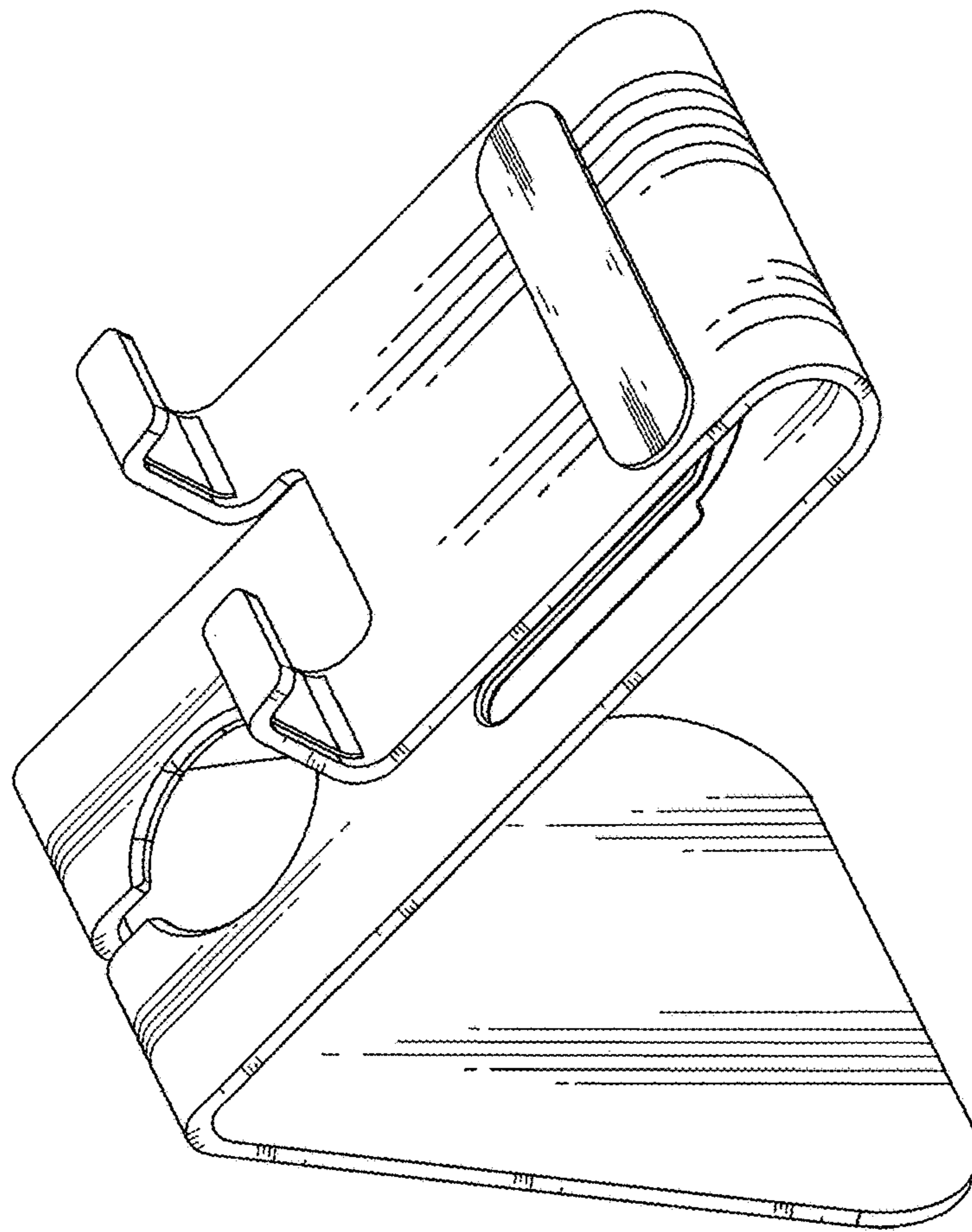


FIG. 1

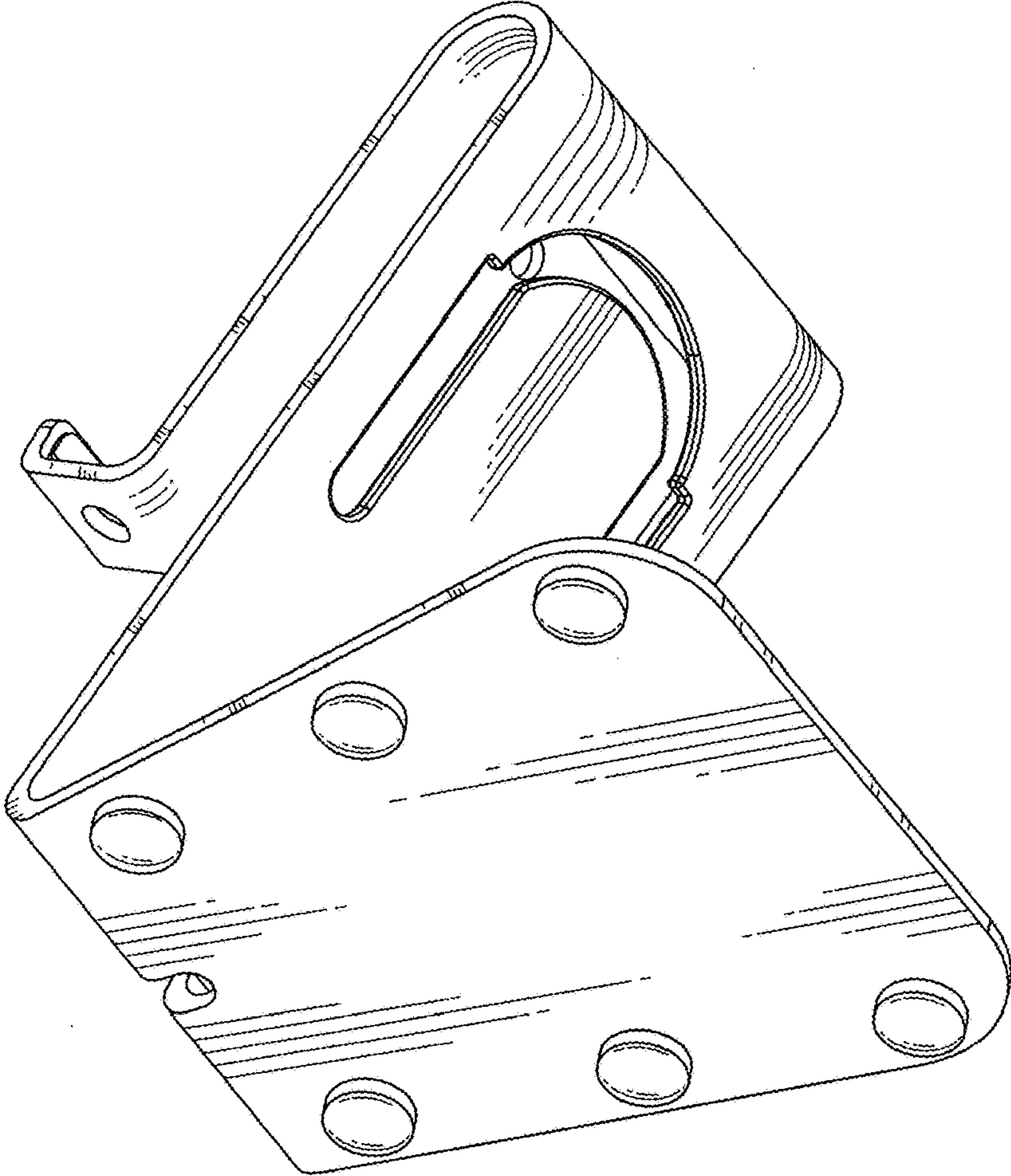


FIG. 2

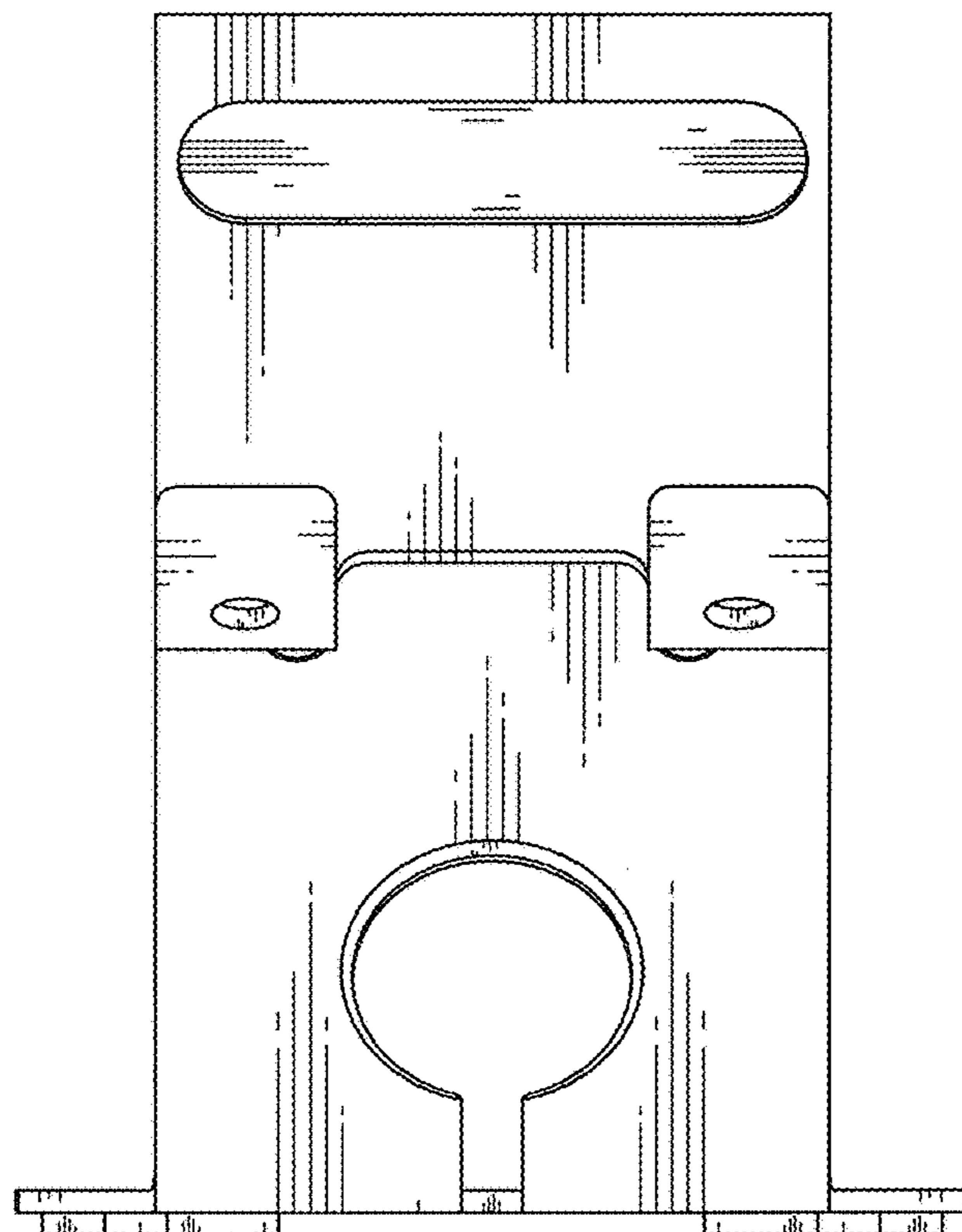


FIG. 3

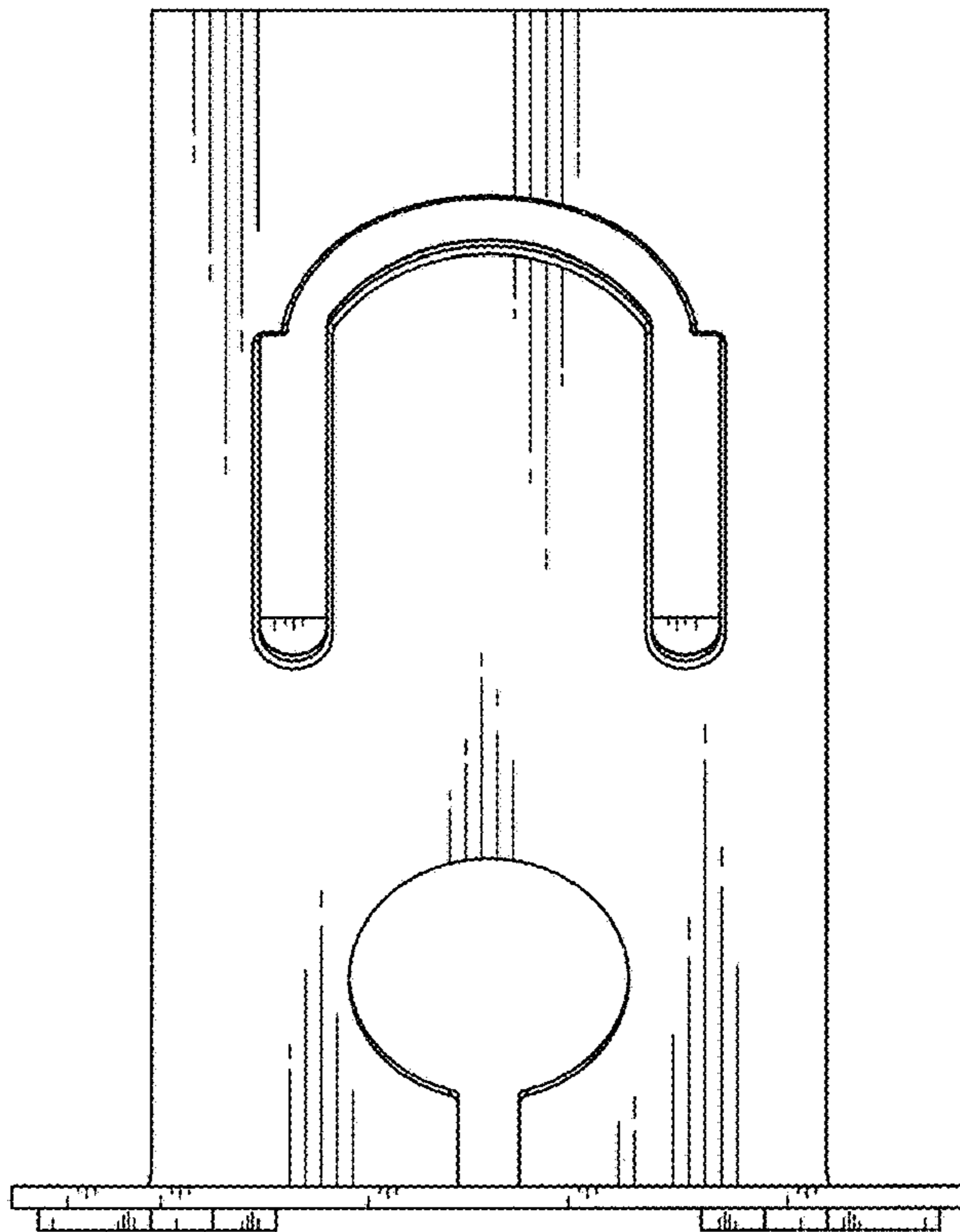


FIG. 4

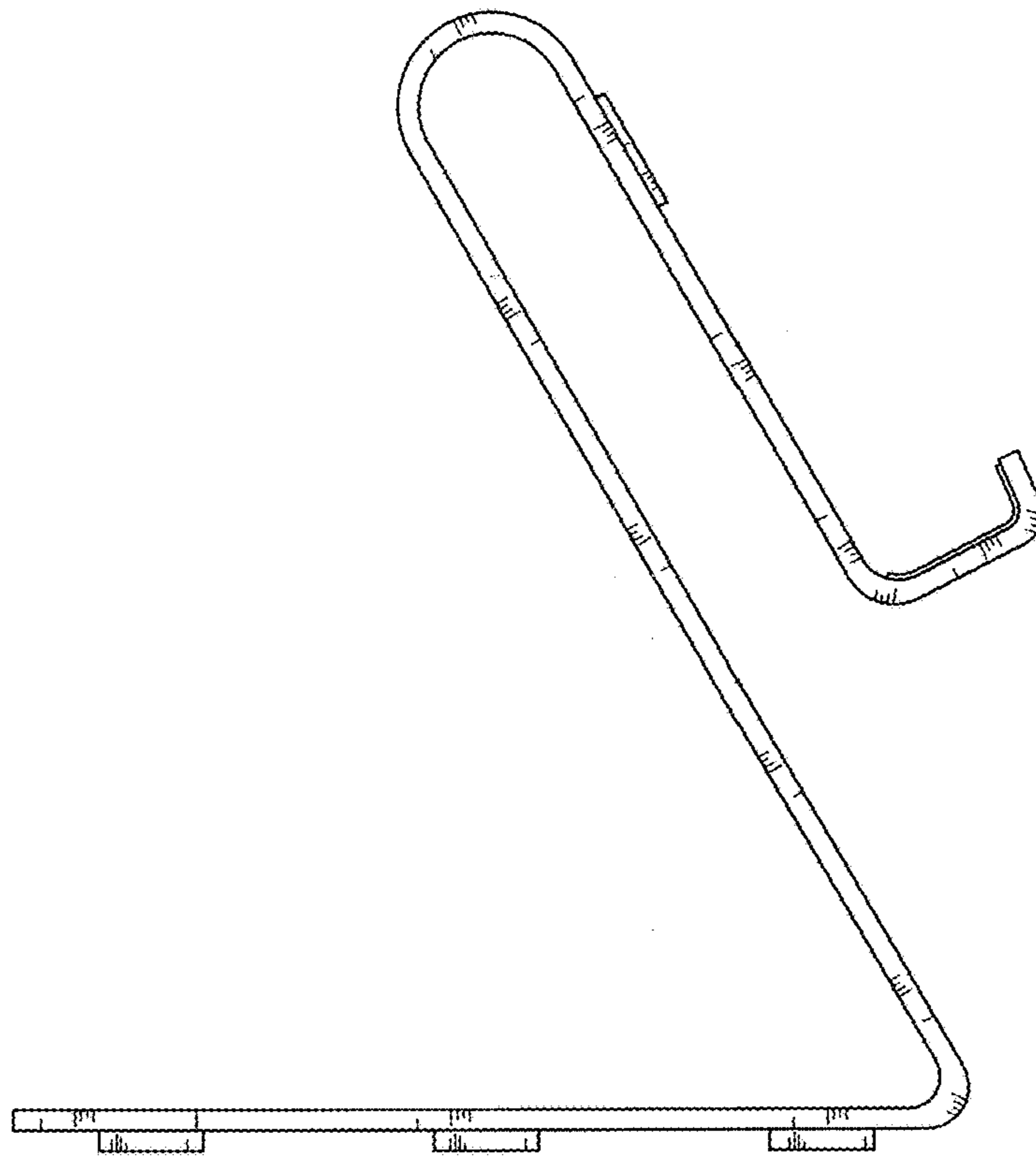


FIG. 5

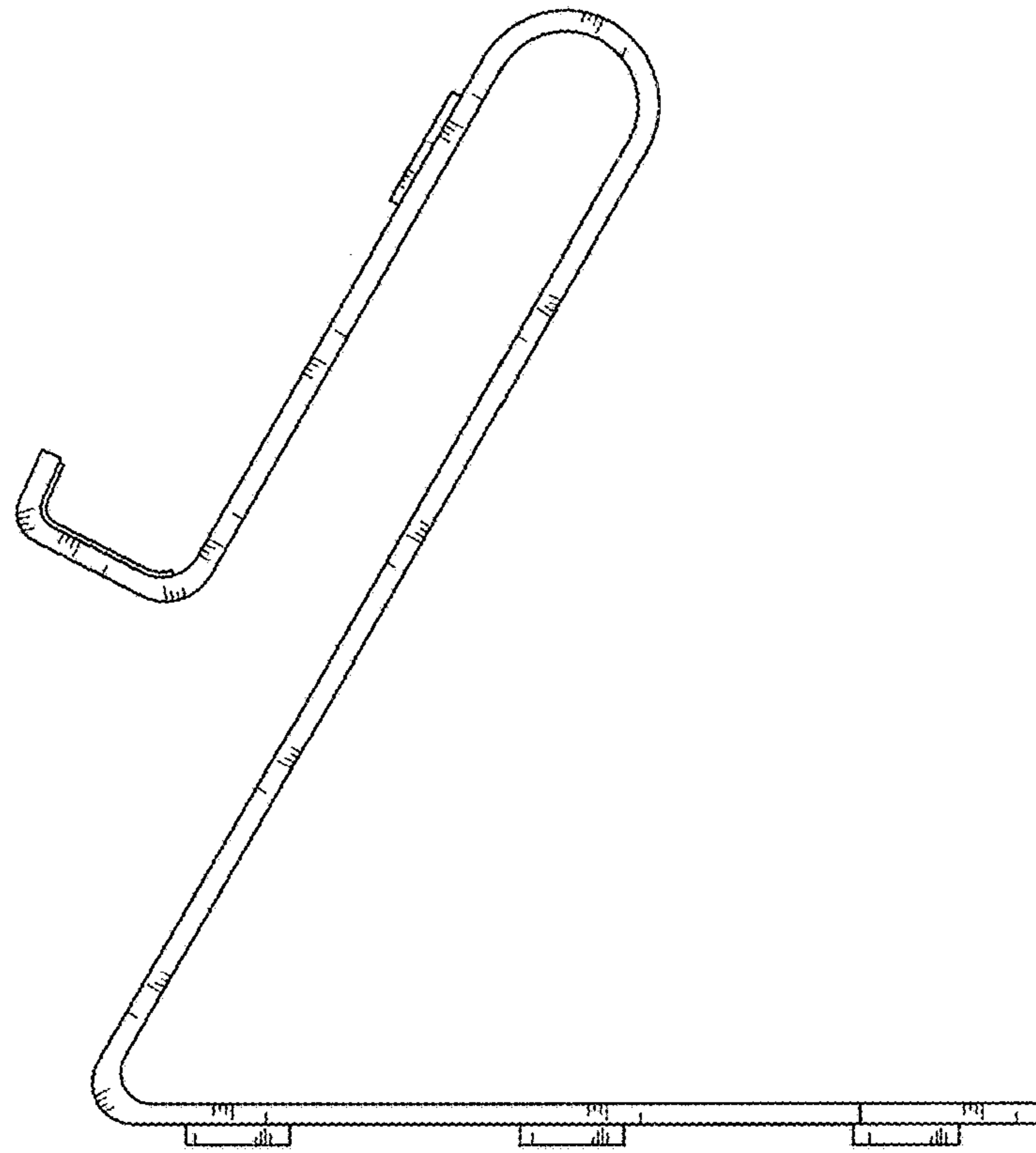


FIG. 6

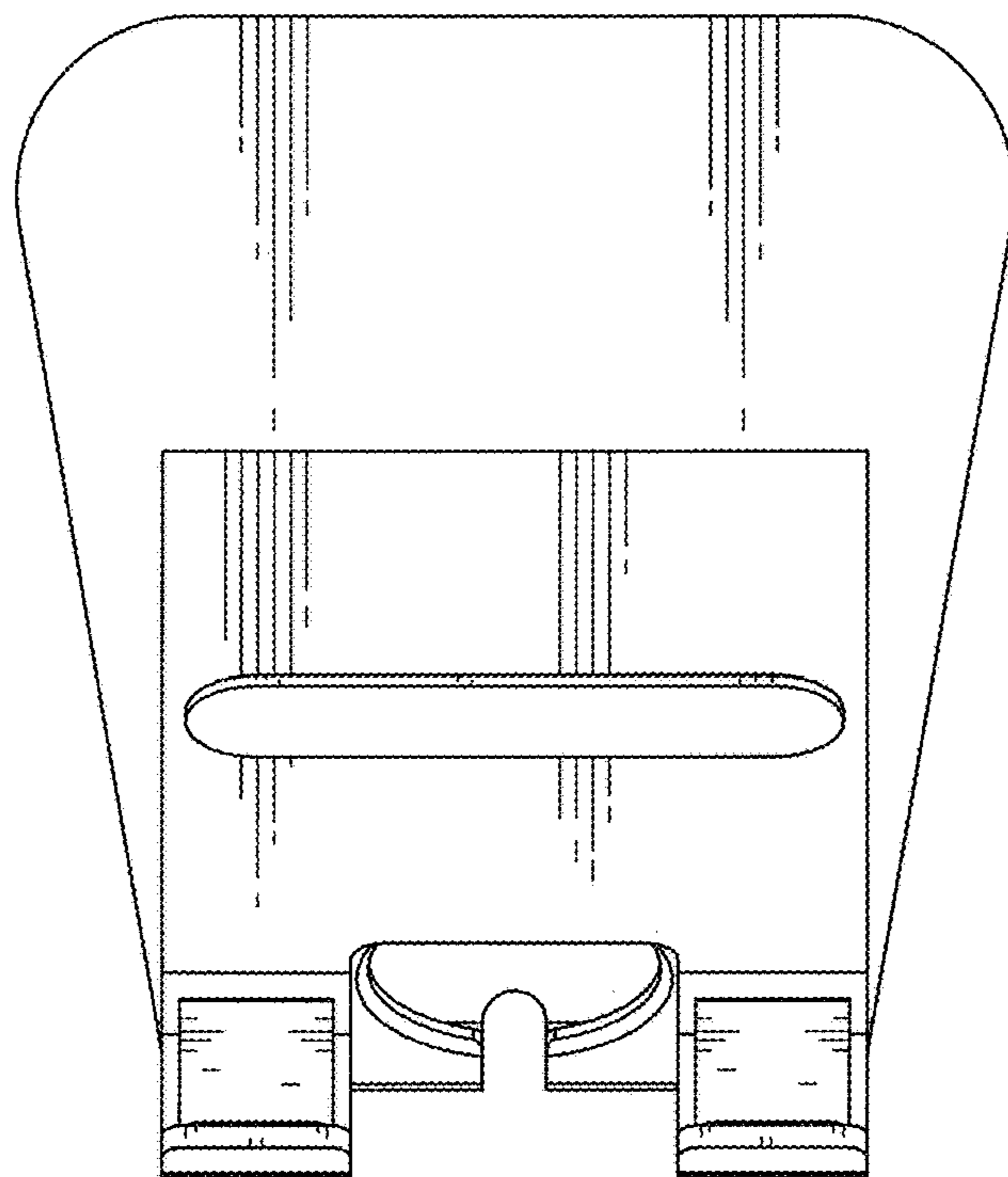


FIG. 7

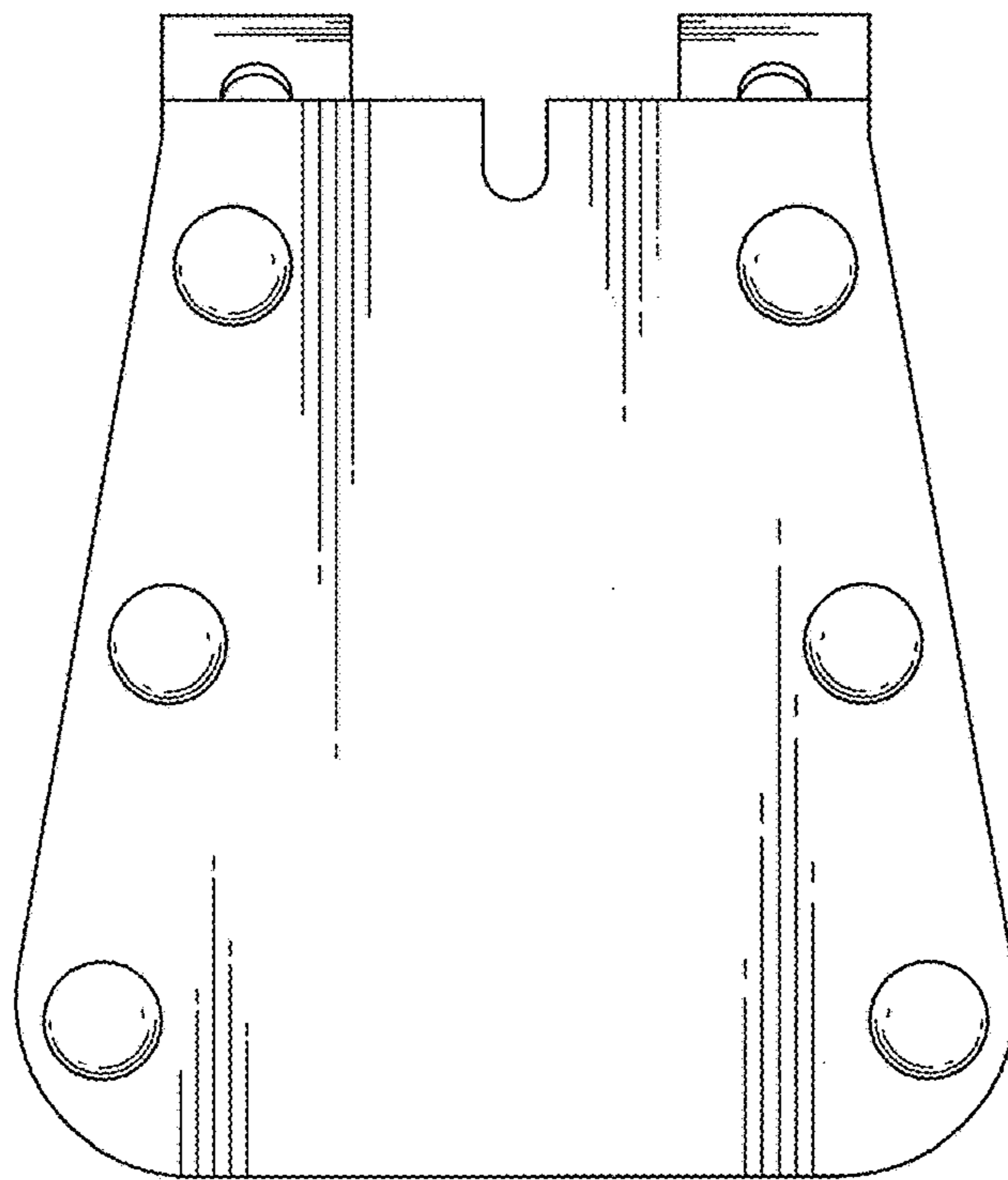


FIG. 8