



US00D842304S

(12) **United States Design Patent**  
**Depay et al.**

(10) **Patent No.:** **US D842,304 S**  
(45) **Date of Patent:** **\*\* Mar. 5, 2019**

(54) **MEMORY MODULE**

(71) Applicant: **Corsair Memory, Inc.**, Fremont, CA (US)

(72) Inventors: **Dean Depay**, Fremont, CA (US); **Chun Ye**, Fremont, CA (US)

(73) Assignee: **Corsair Memory, Inc.**, Fremont, CA (US)

(\*\*) Term: **15 Years**

(21) Appl. No.: **29/630,637**

(22) Filed: **Dec. 21, 2017**

(51) **LOC (11) Cl.** ..... **14-02**

(52) **U.S. Cl.**  
USPC ..... **D14/435**; D14/436

(58) **Field of Classification Search**

USPC ..... D14/435, 356, 242, 436, 433, 474, 240, D14/496, 385, 358, 480.1-480.7; 360/97.01, 685, 686, 752, 737, 732, 784, 360/803; 439/135, 144, 139-141, 147, 439/136, 638, 518, 131; 365/51, 63, 131; 710/52, 300, 313; 711/115, 103, 154, 711/161-162; 70/58; 323/210; 713/186, 713/1; 382/124; 235/492; D13/147, D13/179, 182; D19/72, 108, 101, 110, D19/111; D8/90-92, 94, 95, 97-107, 70, D8/70.1, 19, 20, 6, 7; D21/332

CPC ..... G06K 19/06196; G06K 19/072; G06K 19/0721-19/0728; G06K 19/073; G06K 19/07309; G06K 19/077; G06K 19/07701; G06K 19/07715; G06K 19/0772; G06K 19/07724; G06K 19/07726; G06K 19/07728; G06K 7/0021; G06F 21/77-21/80; G06F 21/85-21/88; G06F 21/00; G06Q 20/3229; G06Q 20/34; G06Q 20/341; G06Q 20/346; G06Q 20/349; G06Q 20/3563; G06Q 20/3567; G06Q 20/357; G06Q 20/3576; H05K 5/026; H05K 5/0256; H05K 5/0265; H05K 5/0269;

H05K 5/0273; H05K 5/0278; H05K 5/0282; H05K 5/0286; H05K 5/0291; H05K 5/0295; H05K 5/03; H05K 5/04; H05K 5/06; H05K 5/061-5/069; H05K 7/00; H05K 7/005; H05K 7/02; H05K 7/023; H05K 7/026; H05K 7/04; H05K 7/10; H05K 7/1418; H05K 7/142; H05K 7/1405; H05K 7/1424; H05K 7/1427-7/1439; H05K 7/1461; H05K 7/1464-7/1474; H05K 7/1485-7/1488; H05K 2201/09745; H05K 2201/09754; H05K 2201/09763; H05K 2201/09772; H05K 2201/098; H05K 2201/09818; H05K 2201/10; H05K 2201/10007; H04N 2201/216; H01R

(Continued)

(56) **References Cited**

U.S. PATENT DOCUMENTS

D261,644 S \* 11/1981 McKinsey ..... D14/435  
D520,015 S \* 5/2006 Peddle ..... D14/435

(Continued)

*Primary Examiner* — Susan Moon Lee

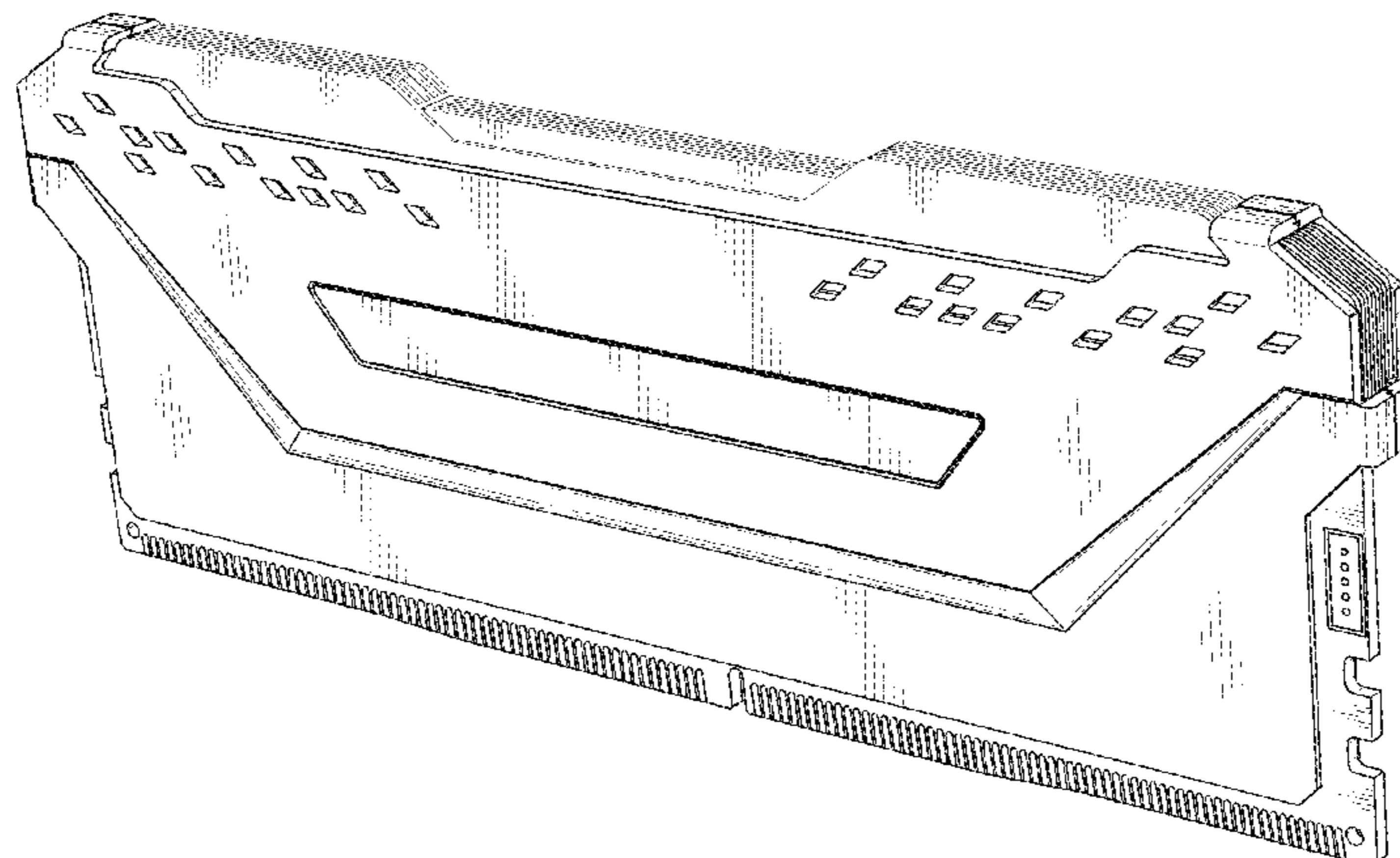
(57) **CLAIM**

The ornamental design for a memory module, as shown and described.

**DESCRIPTION**

FIG. 1 is a rear perspective view of a memory module showing our design;  
FIG. 2 is a left view of the memory module;  
FIG. 3 is a right view of the memory module;  
FIG. 4 is a rear view of the memory module;  
FIG. 5 is a front view of the memory module;  
FIG. 6 is a top view of the memory module; and,  
FIG. 7 is a bottom view of the memory module.  
The shade lines in the figures show contour and not surface ornamentation.

**1 Claim, 7 Drawing Sheets**



(58) **Field of Classification Search**

CPC ... 13/62933; H01R 13/62905; H01R 13/6275;  
 H01R 13/6395; H01R 13/62938; H01R  
 13/64; H01R 13/645; H01R 13/6456;  
 H01R 13/635; H01R 13/633; H01R  
 23/7005; H01R 23/682; H01R 23/684;  
 H01R 23/70; H01R 23/7068; H01R  
 23/7026; H01R 31/065; H01R 27/02;  
 H01R 2103/00

See application file for complete search history.

(56) **References Cited**

U.S. PATENT DOCUMENTS

7,221,569 B2 \* 5/2007 Tsai ..... H01L 23/4093  
 257/719  
 7,312,996 B2 \* 12/2007 Chang ..... H01L 23/3672  
 165/185  
 7,391,613 B2 \* 6/2008 Lai ..... H01L 23/3672  
 165/104.26  
 7,447,024 B1 \* 11/2008 Chou ..... H01L 23/467  
 165/122  
 D597,966 S \* 8/2009 Shih ..... D13/179  
 D617,162 S \* 6/2010 Tom ..... D8/20  
 7,738,252 B2 \* 6/2010 Schuette ..... G06F 1/206  
 165/185  
 7,768,785 B2 \* 8/2010 Ni ..... H01L 23/367  
 257/707  
 D632,694 S \* 2/2011 Dickhoff ..... D14/435

D657,756 S \* 4/2012 Mueller ..... D13/179  
 8,411,443 B2 \* 4/2013 Chen ..... G06F 1/20  
 165/185  
 D689,829 S \* 9/2013 Chen ..... D13/179  
 D698,792 S \* 2/2014 Lin ..... D14/435  
 D702,689 S \* 4/2014 Lin ..... D14/435  
 D702,690 S \* 4/2014 Lin ..... D14/435  
 8,753,138 B2 \* 6/2014 Foster, Sr. .... H01R 12/7029  
 439/160  
 D717,251 S \* 11/2014 Mueller ..... D13/179  
 D717,744 S \* 11/2014 Mueller ..... D13/179  
 D733,145 S \* 6/2015 Chen ..... D14/435  
 D735,201 S \* 7/2015 Lin ..... D14/435  
 D761,744 S \* 7/2016 Mueller ..... D13/179  
 D793,400 S \* 8/2017 Lin ..... D13/179  
 2003/0026076 A1 \* 2/2003 Wei ..... H01L 23/36  
 361/704  
 2006/0049512 A1 \* 3/2006 Goodwin ..... G11C 5/04  
 257/707  
 2006/0090102 A1 \* 4/2006 Wehrly, Jr. .... H05K 1/189  
 714/42  
 2007/0053170 A1 \* 3/2007 Yu ..... H05K 7/1409  
 361/737  
 2009/0122481 A1 \* 5/2009 Chang ..... H01L 23/3672  
 361/679.54  
 2012/0178274 A1 \* 7/2012 Manickam ..... H01R 12/7005  
 439/157  
 2014/0170875 A1 \* 6/2014 Shen ..... H01R 12/7005  
 439/159  
 2014/0377972 A1 \* 12/2014 Tang ..... H01R 12/721  
 439/157

\* cited by examiner

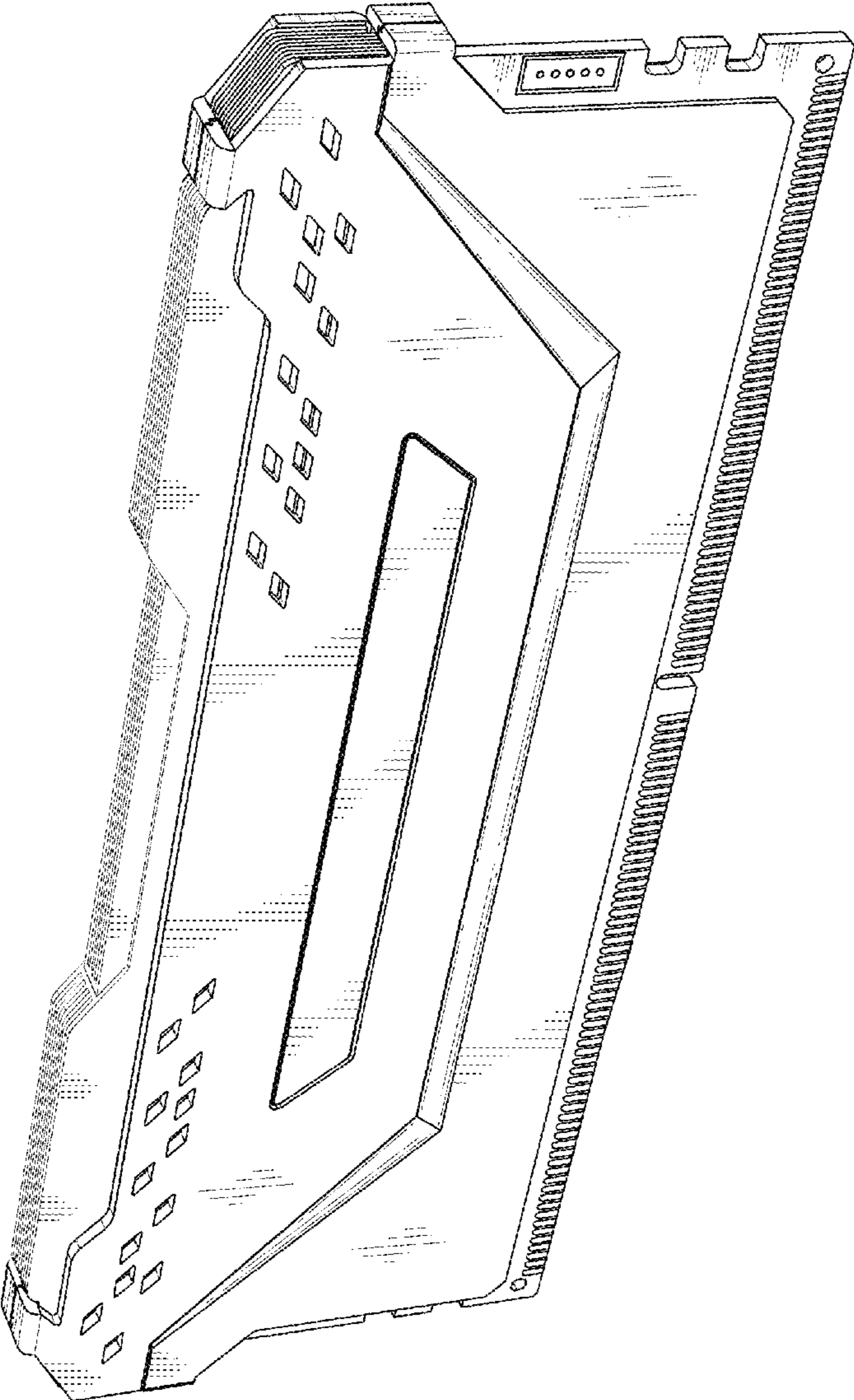


FIG. 1

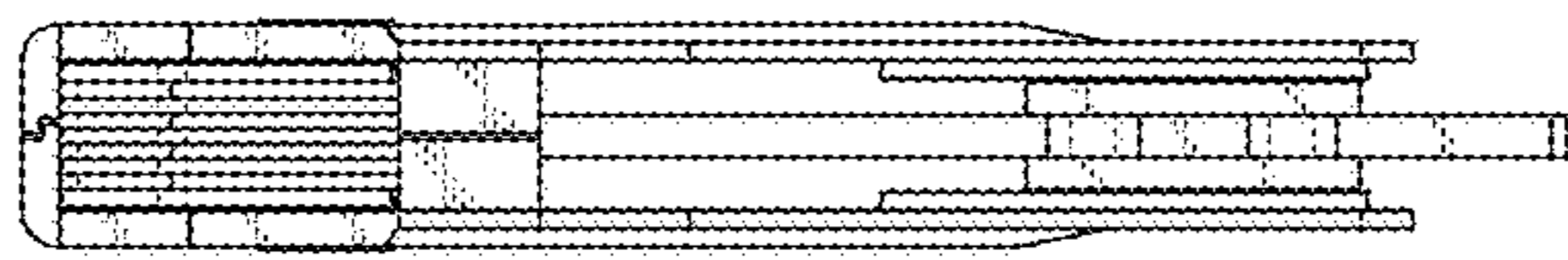


FIG. 2

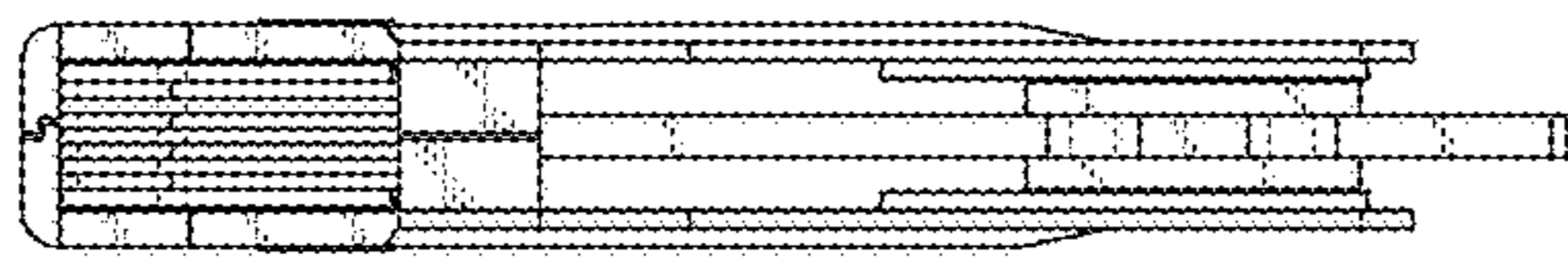


FIG. 3



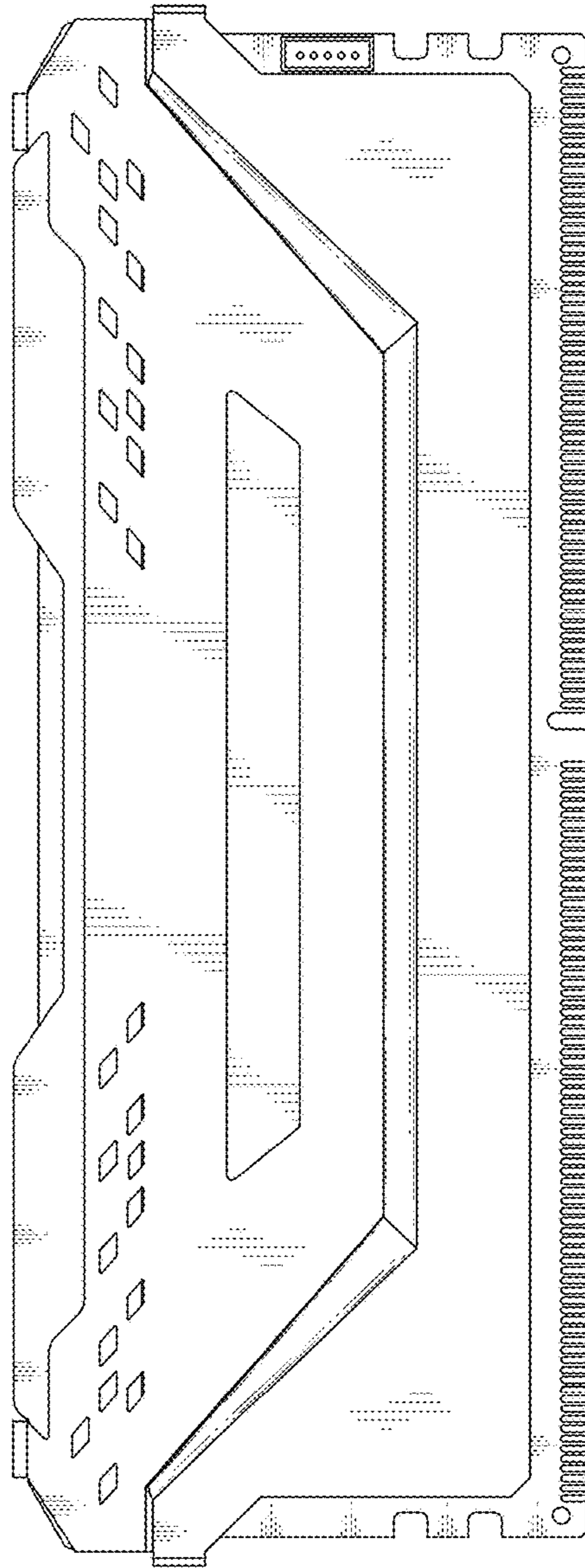


FIG. 4

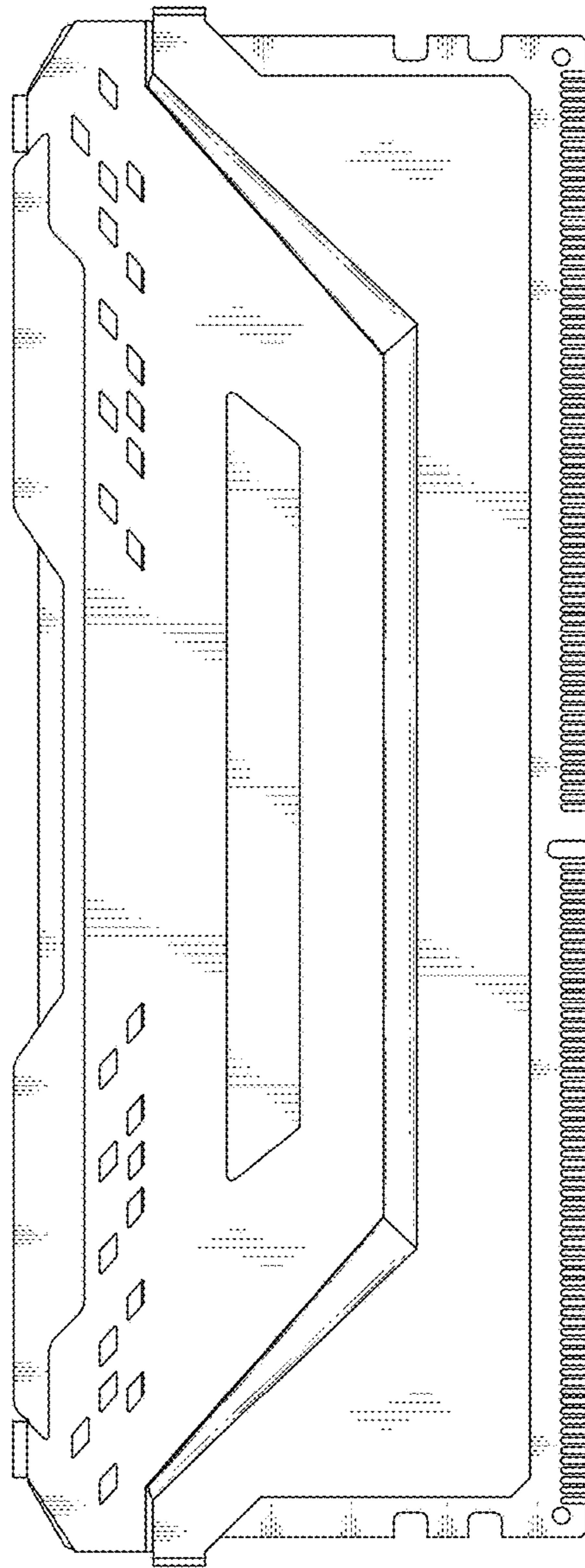


FIG. 5

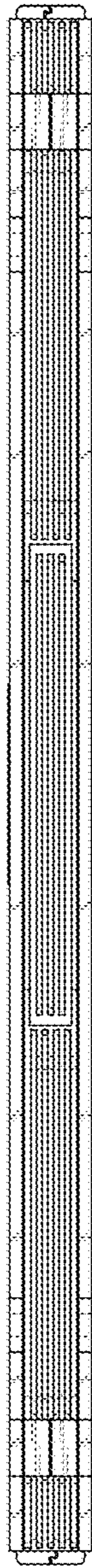


FIG. 6



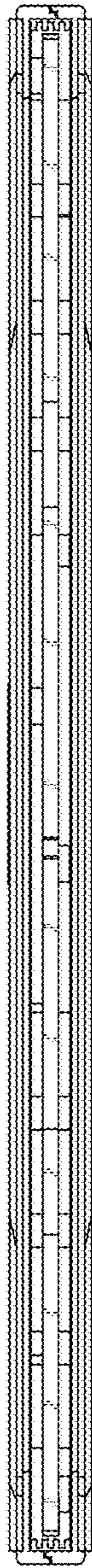


FIG. 7