



US00D842303S

(12) **United States Design Patent**
Man

(10) **Patent No.:** **US D842,303 S**

(45) **Date of Patent:** **** Mar. 5, 2019**

(54) **PORTABLE HANDHELD RADIO
FREQUENCY TAG READER**

(71) Applicant: **Megabyte Limited**, Hong Kong (HK)

(72) Inventor: **Chun Sing Matthew Man**, Hong Kong (HK)

(73) Assignee: **Megabyte Limited**, Hong Kong (HK)

(**) Term: **15 Years**

(21) Appl. No.: **29/591,001**

(22) Filed: **Jan. 16, 2017**

(30) **Foreign Application Priority Data**

Jul. 14, 2016 (HK) 1601349

(51) **LOC (11) Cl.** **14-02**

(52) **U.S. Cl.**
USPC **D14/430**

(58) **Field of Classification Search**

USPC D14/420, 426-431, 453, 346, 341, 347,
D14/412, 138, 411, 167, 413, 496, 356,
D14/203.3, 203.5, 203.7, 217, 218, 140.9,
D14/142, 149, 150, 153, 497, 498, 501,
D14/506-509; D13/107, 184, 116;
358/473, 484; 235/462.43, 462.45,
235/462.47, 462.48, 462.44, 462.46, 487,
235/472.01, 472.02, 145 A, 145 R,
235/462.49, 472.03, 494, 495, 482, 454;
D10/78, 2, 46, 52, 53, 81; 324/426;
D3/273; 710/73; D18/7; 361/679, 728,
361/679.56, 683; 382/313, 321, 314,
382/318; 455/575.1, 561, 572, 41.2;
345/156, 168, 169, 172, 173, 87, 179,
345/183, 165, 166; 705/17, 18, 22-25;
D16/206, 218, 202, 219, 208, 209;
356/328; 396/419, 423, 424; 374/130,
374/100, 121, 102, 141, 124, 170, 104,
374/103; 702/130, 135; 348/164, 165,

348/149, 333.01, 333.11, E5.043, E5.047,
348/E5.09, 33, 82, E5.028, 347, 373, 374,
348/375, 66; 250/330, 351, 353, 332,
250/334, 358.1, 316.1, 338.1, 568, 555,
250/566, 569; 600/549, 474, 413, 473,
600/200, 184, 437, 427, 439, 109, 178,
600/180, 237, 241; D24/186, 185, 187,
D24/152, 158, 133, 144, 146, 107, 112,
D24/206, 200, 209, 215, 167, 214, 210,
D24/137, 138; D21/333; D28/44, 48;
D8/99; 359/214; 16/110.1, 430, 431;
439/133, 135; 433/29, 37, 72, 114, 116;
709/219, 201; 320/114, 115, 123;

(Continued)

(56) **References Cited**

U.S. PATENT DOCUMENTS

D248,234 S * 6/1978 Genaro 379/455
D273,491 S * 4/1984 Perkins D14/153

(Continued)

Primary Examiner — Susan Moon Lee

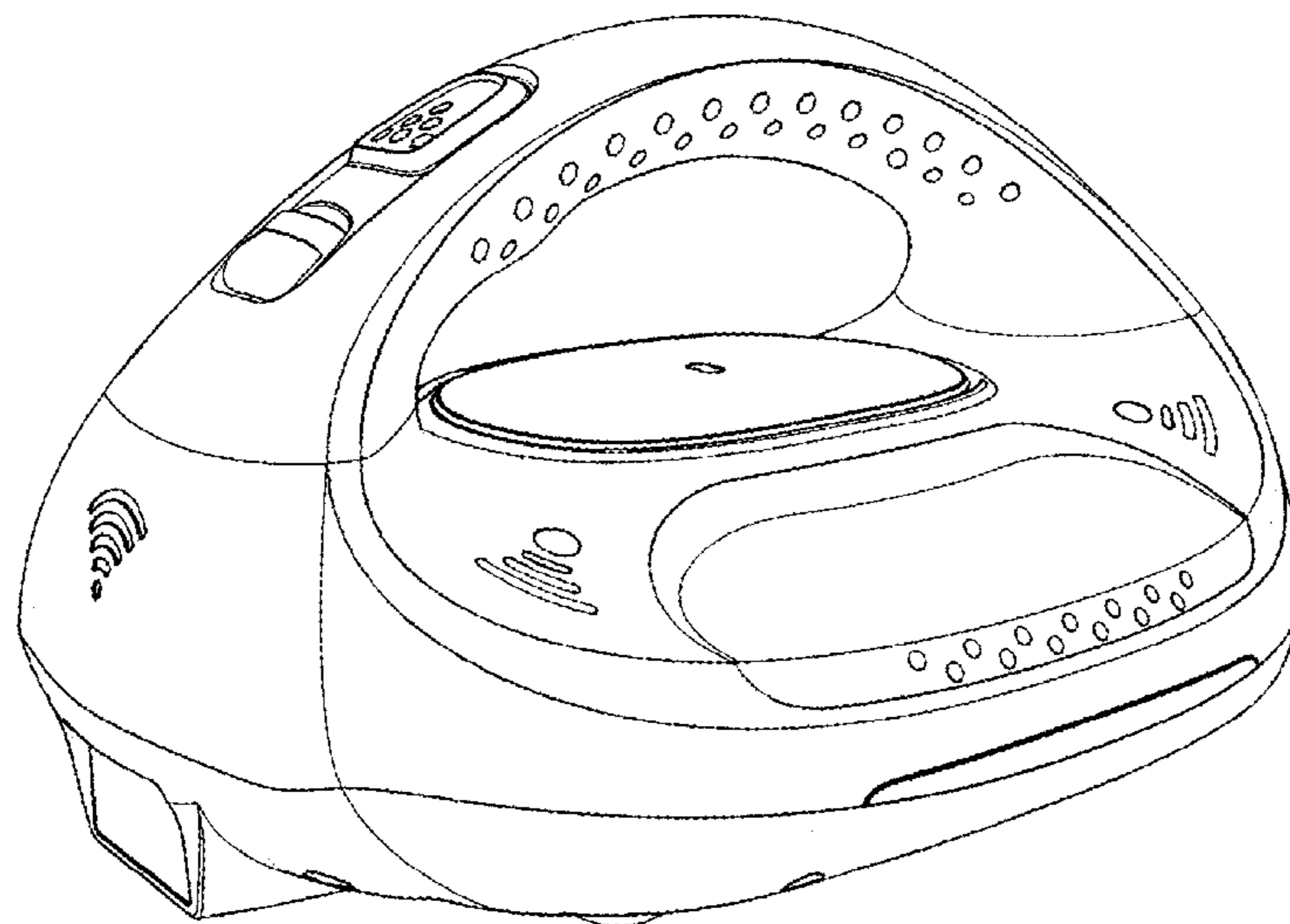
(57) **CLAIM**

The ornamental design for a portable handheld radio frequency tag reader, as shown and described.

DESCRIPTION

FIG. 1 is a first perspective view of a portable handheld radio frequency tag reader showing my new design;
FIG. 2 is a second perspective view thereof;
FIG. 3 is a front elevational view thereof;
FIG. 4 is a rear elevational view thereof;
FIG. 5 is a right side view thereof;
FIG. 6 is a left side view thereof;
FIG. 7 is a top plan view thereof; and,
FIG. 8 is a bottom plan view thereof.

1 Claim, 8 Drawing Sheets



(58) **Field of Classification Search**

USPC D26/37-41, 48-52, 59; 401/195;
 362/118; D19/60, 62, 65-67, 71, 100,
 D19/101, 108, 37, 115, 123, 130,
 D19/157-162, 174, 178, 182, 189;
 43/132.1, 133, 134, 138-140; 15/344,
 15/320, 410, 412; D32/15-24;
 D22/119-123
 CPC G06F 1/626; G06F 1/1626; G06F 1/1656;
 G06F 1/1632; G06F 1/1684; G06F
 1/1635; G06F 8/63; G06F 17/30091;
 G06F 9/4401; G06F 3/03545; G06K
 7/10881; G06K 7/1098; G06K 7/10722;
 G06K 7/1404; G06K 7/0004; G06K
 7/10633; G06K 7/10851; G06K 7/1091;
 G06K 7/1092; G06K 7/1093; G06K 7/10;
 G06K 7/109; G06K 7/1417; G06K 9/228;
 G06K 17/0022; G06K 17/00; G06K
 2207/1011; G06K 2207/1013; G06K
 2207/1016; G06K 2207/1018; G06K
 2017/0051; G06K 2017/0067; G06K
 2007/10524; G07G 1/0081; G07G 1/009;
 G06Q 20/20; G06Q 20/201; G06Q
 20/202; G06Q 20/203; G06Q 20/30;
 G06Q 20/32; G06Q 20/322; G06Q
 20/4014; G06Q 10/087; H04N 1/00127;
 H04N 1/00135; H04N 1/00326; H04N
 1/00334; H04N 1/00307; H04N 1/107;
 H04N 2201/0084; H04N 2101/00; H04N
 5/332; H04N 5/33; H04N 5/2251; H04N
 5/2258; H04N 5/2256; H04N 5/23293;
 H04N 5/23203; H04N 5/2254; H04N
 5/2252; H04N 5/2253; H04N 5/23229;
 H04N 5/3651; H04M 1/0249; H04M
 1/0262; H04M 1/0266; H04M 1/18;
 H04M 1/23; H04M 1/236; H04B 1/3827;
 H04B 1/3833; H04B 1/3877; H04B
 1/3883; H04B 1/3888; H04B 2001/3894;
 H01M 2/1066; G01J 5/025; G01J 5/0265;
 G01J 5/026; G01J 5/027; G01J 5/02;
 G01J 5/06; G01J 5/08; G01J 5/04; G01J

5/12; G01J 5/00; G01J 5/18; G01J
 5/0834; G01J 5/522; G01J 5/0806; G01J
 5/028; G01J 2005/0077; G01J 2005/0081;
 G02B 7/08; G02B 7/04; G01K 1/02;
 G01K 3/04; G03B 17/18; G03B 3/02;
 G03B 3/04; G03B 3/10; H02J 7/0044;
 A61B 8/44; A61B 8/46; A61B 8/4427;
 A61B 8/4433; A61B 8/4438; A61B
 8/4444; A61B 8/56; A61B 8/4461; A61B
 8/4455; A61B 8/4472; A61B 5/00; A61B
 5/0013; A61B 5/0017; A61B 5/0033;
 A61B 5/004; A61B 5/0062; A61B
 5/0064; A61B 5/0068; A61B 5/0066;
 A61B 5/0086; A47L 5/24; A47L 5/28;
 A47L 5/32; A47L 5/14; A47L 9/1454;
 A47L 9/2857; A47L 9/322; A01M 3/005;
 A01M 5/02; A01M 1/06; A01M 1/08

See application file for complete search history.

(56)

References Cited

U.S. PATENT DOCUMENTS

D281,977	S	*	12/1985	Sklaroff	D14/430
D284,857	S	*	7/1986	Brignole	D14/150
D300,317	S	*	3/1989	Yoshiharu	D14/143
D417,922	S	*	12/1999	Mulder	D26/50
D418,643	S	*	1/2000	Hoshino	D32/21
D426,821	S	*	6/2000	Solomita	D14/150
D443,119	S	*	5/2001	Sung	D32/21
D462,488	S	*	9/2002	Santiago	D32/18
D495,831	S	*	9/2004	Hsu	D28/50
D500,180	S	*	12/2004	Meyer	D32/17
D537,992	S	*	3/2007	Hoshino	D32/24
D581,620	S	*	11/2008	Chu	D32/68
D597,559	S	*	8/2009	Takagi	D14/509
D627,940	S	*	11/2010	Smith	D32/17
D679,877	S	*	4/2013	Crevling, Jr.	D32/18
D735,664	S	*	8/2015	Woodling	D13/112
D788,550	S	*	6/2017	Waldron	D8/1
D827,956	S	*	9/2018	Spratt	D32/21
2002/0073504	A1	*	6/2002	Hall	A47L 1/08 15/320

* cited by examiner

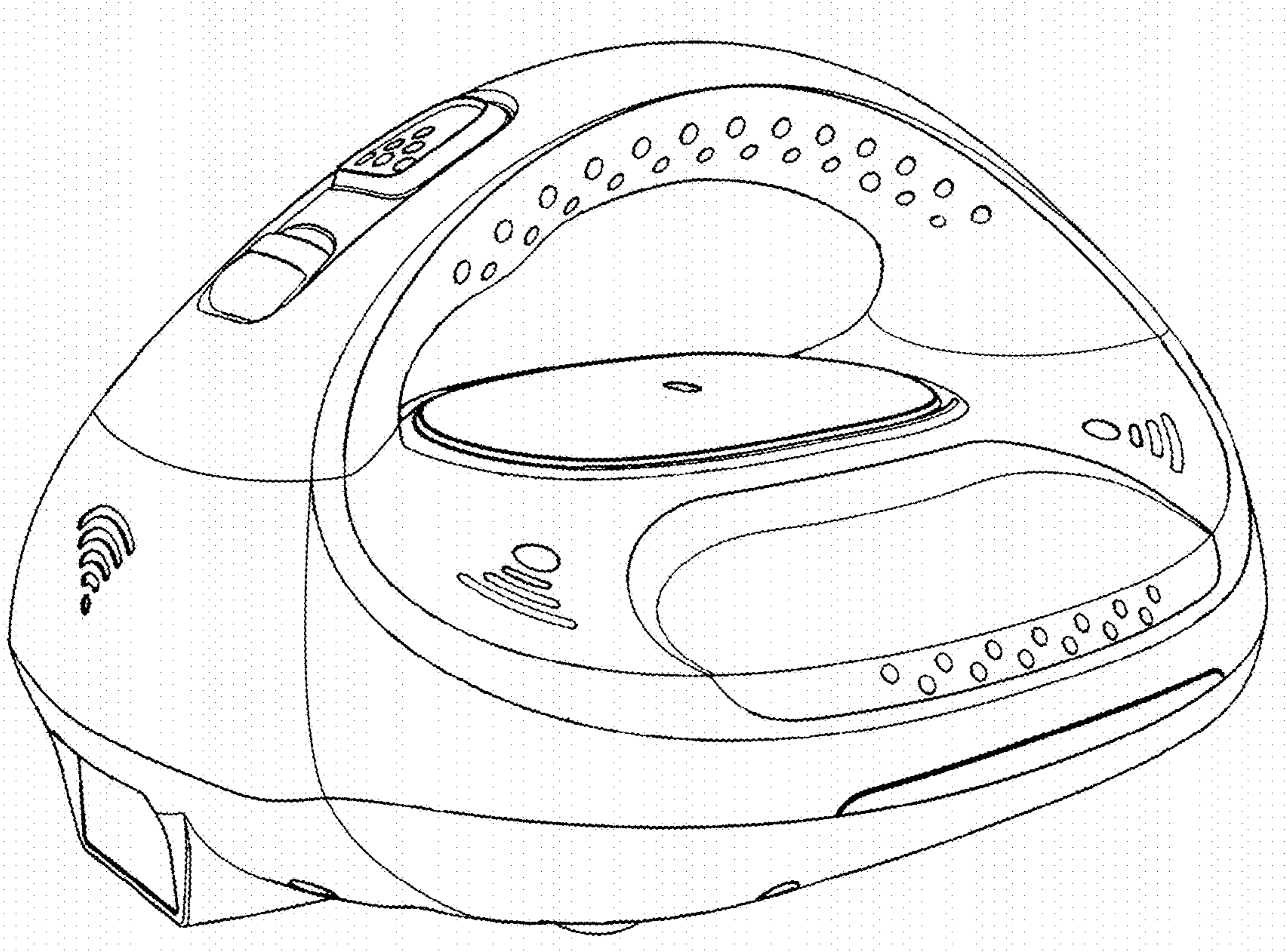


Fig. 1

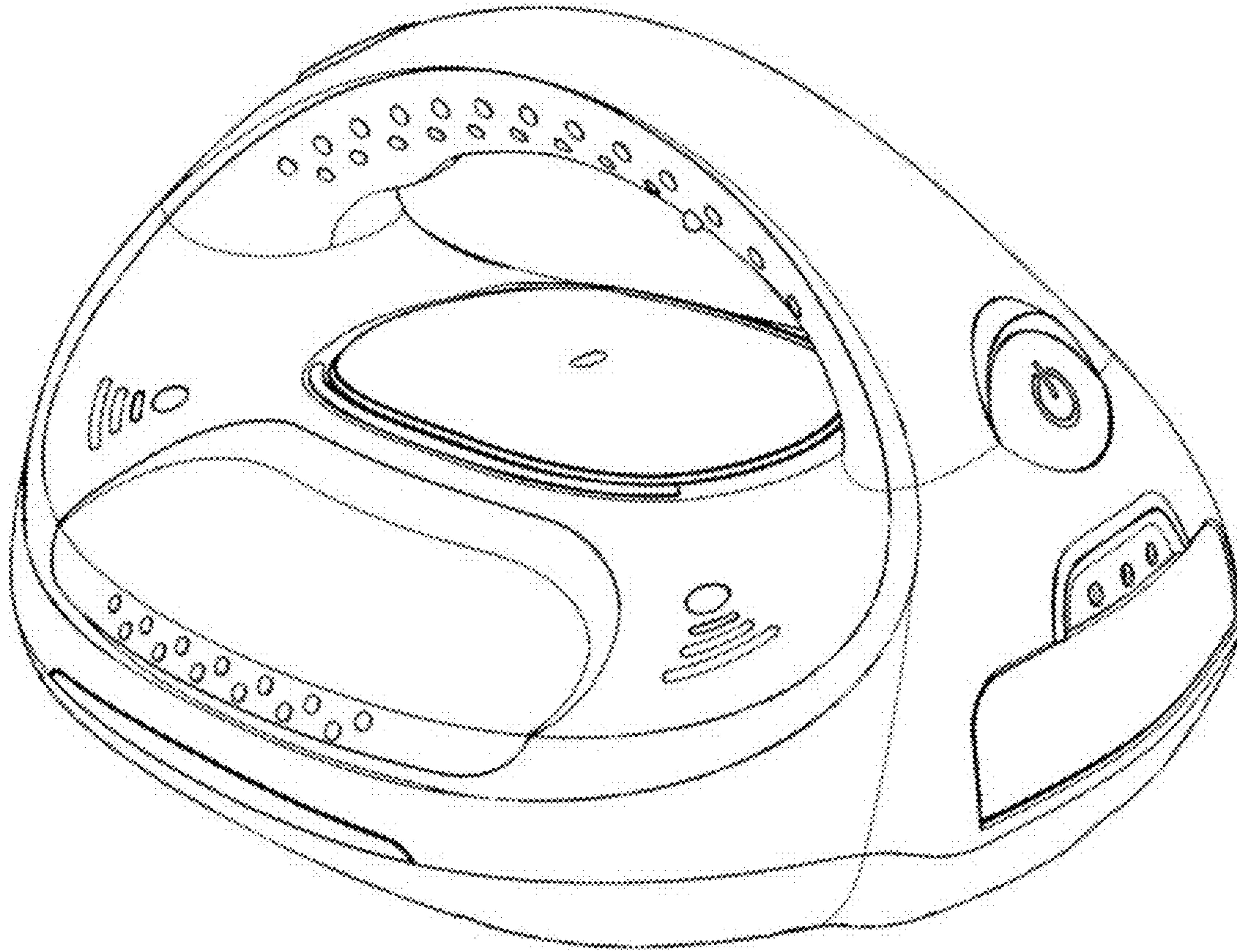


Fig. 2

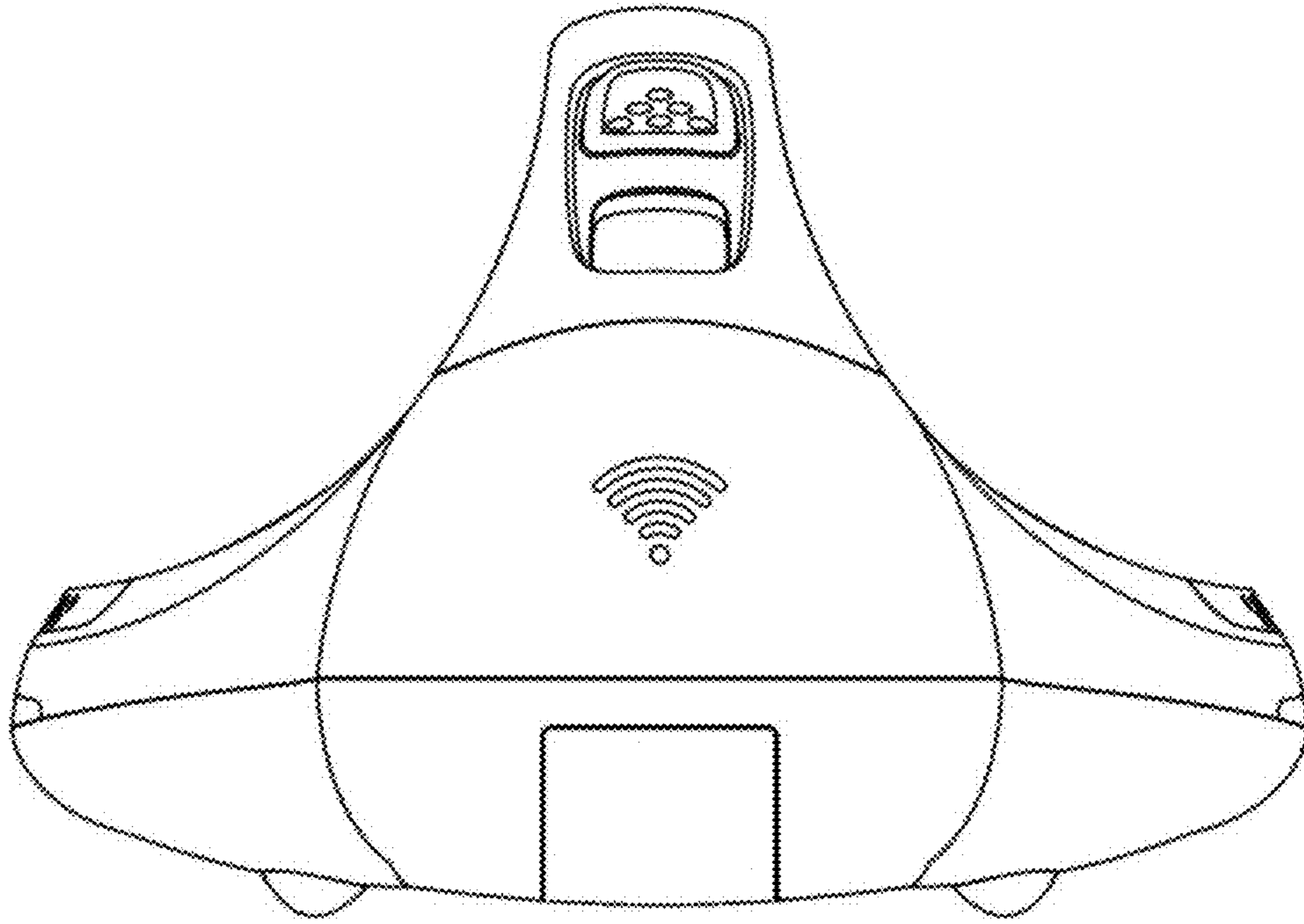


Fig. 3

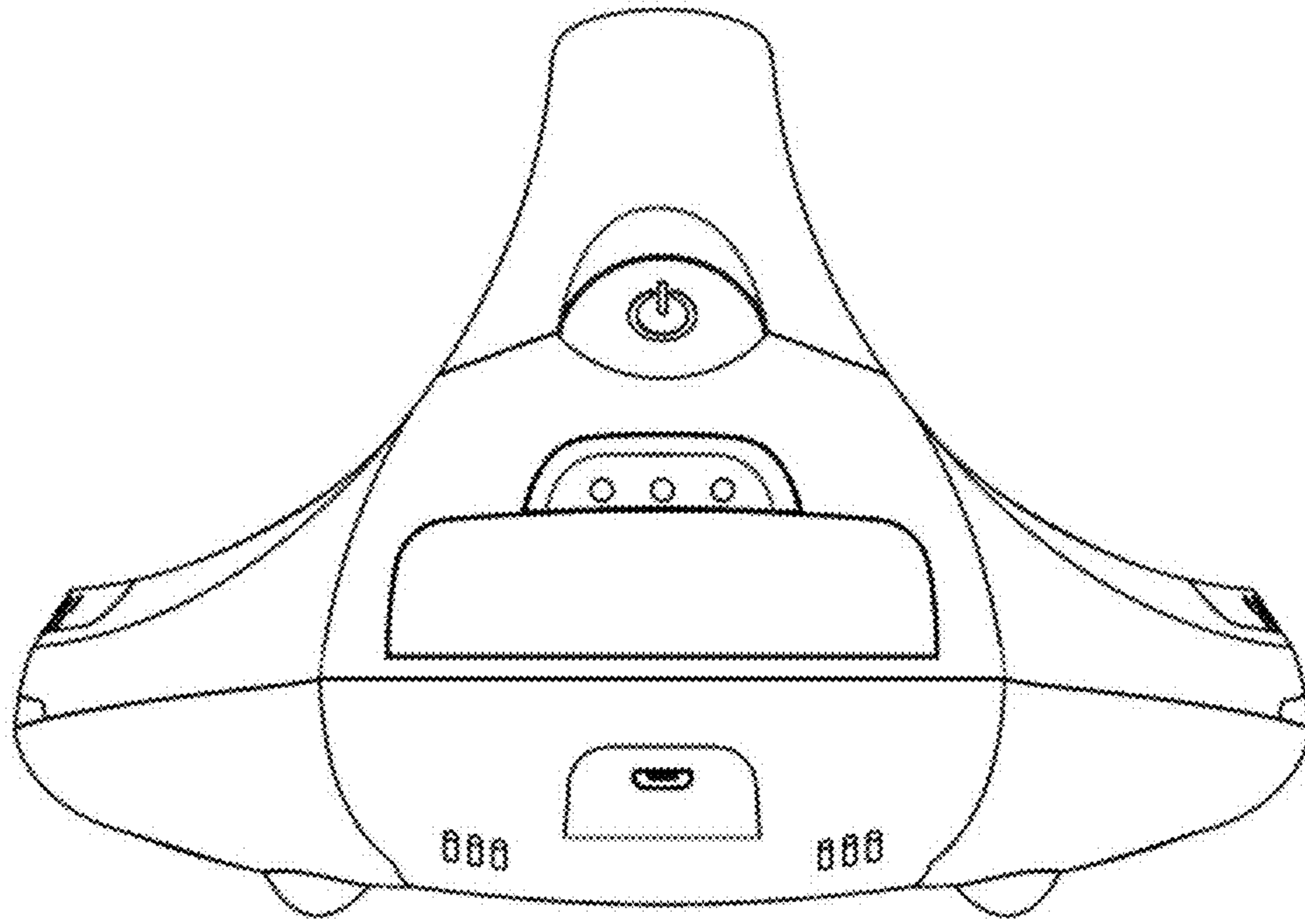


Fig. 4

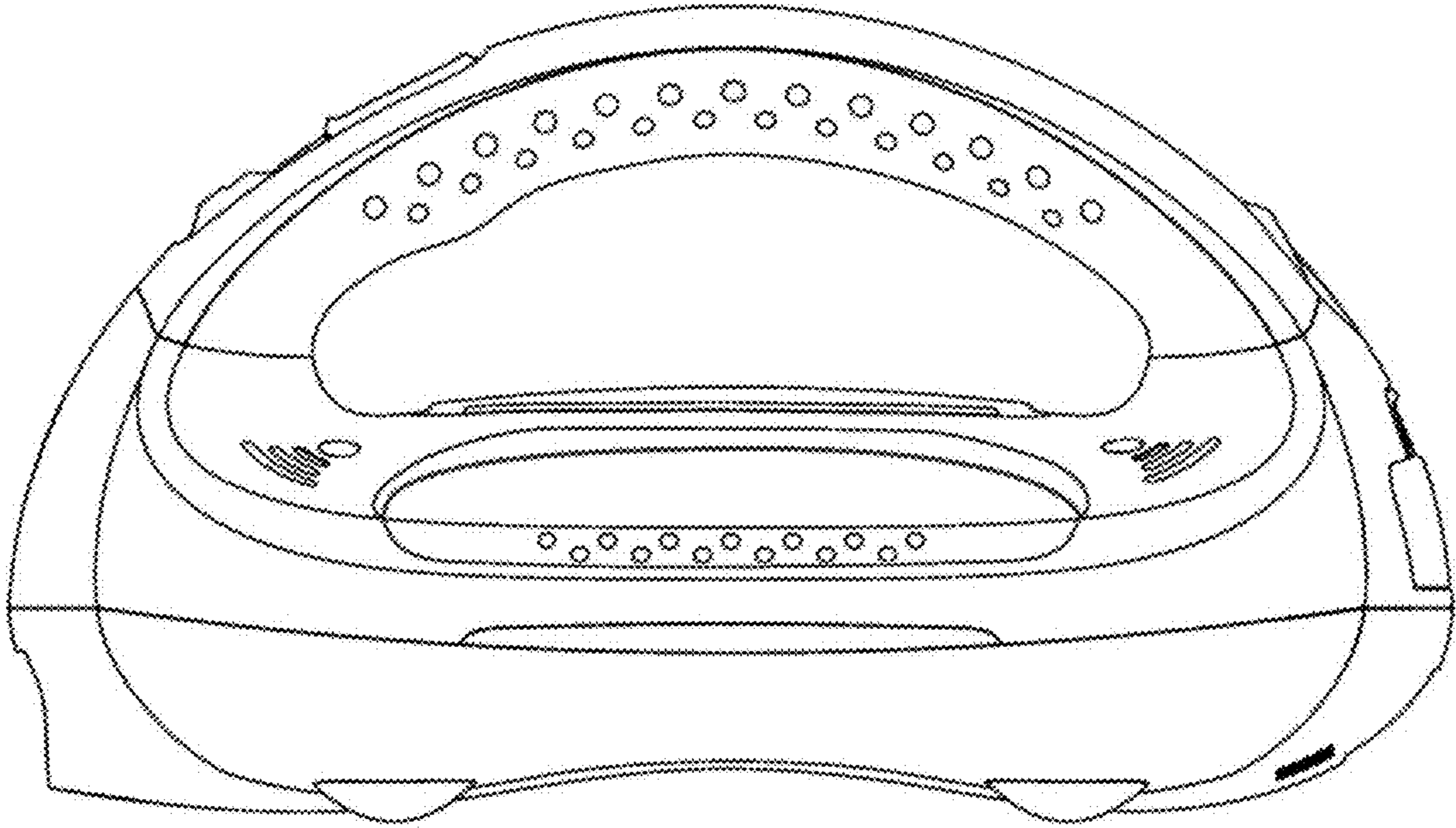


Fig. 5

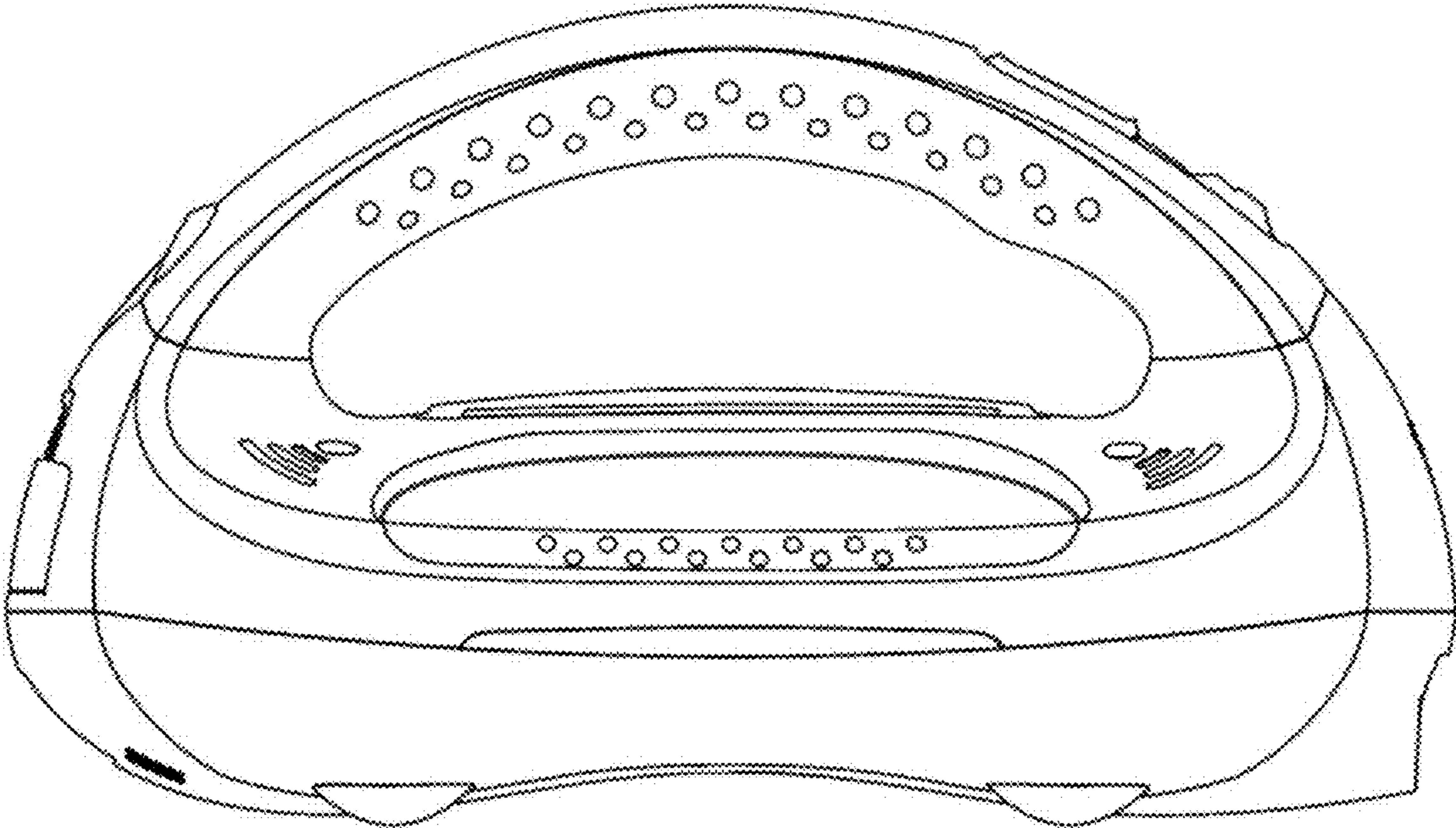


Fig. 6

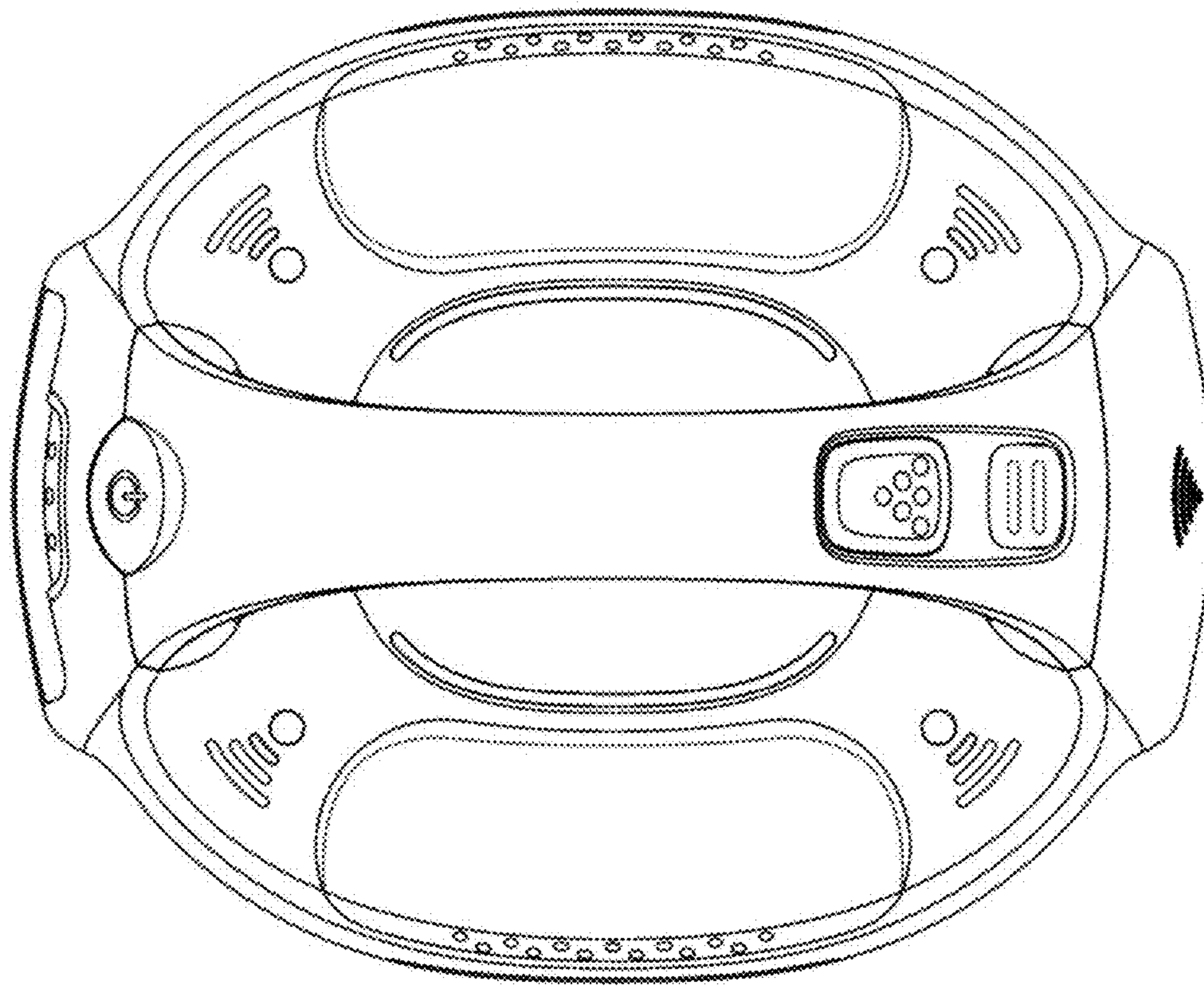


Fig. 7

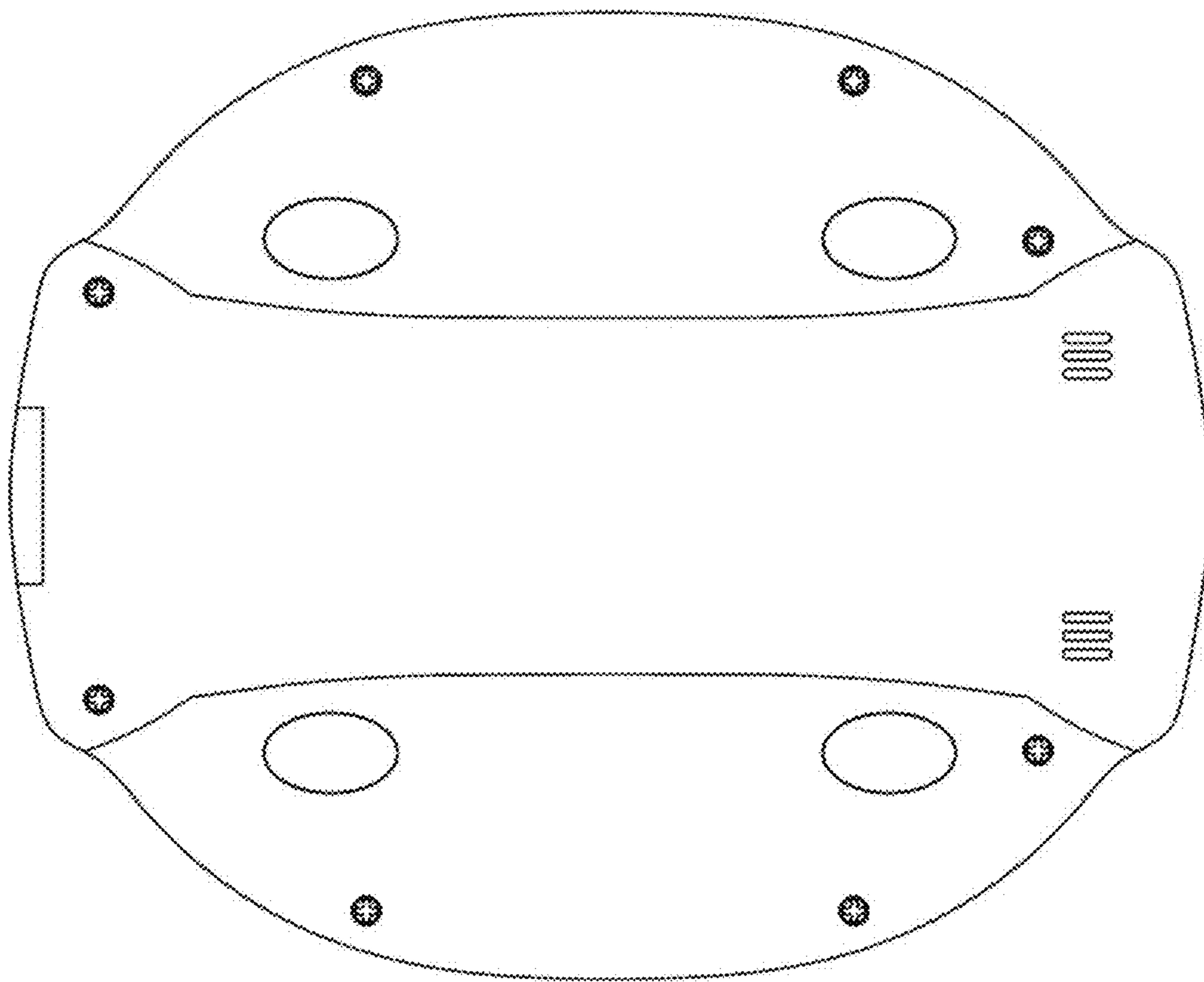


Fig. 8