



US00D842302S

(12) **United States Design Patent**
Man

(10) **Patent No.:** **US D842,302 S**

(45) **Date of Patent:** **** Mar. 5, 2019**

(54) **PORTABLE RADIO FREQUENCY TAG
READER TRAY**

(71) Applicant: **Megabyte Limited**, Hong Kong (HK)

(72) Inventor: **Chun Sing Matthew Man**, Hong Kong (HK)

(73) Assignee: **Megabyte Limited**, Hong Kong (HK)

(**) Term: **15 Years**

(21) Appl. No.: **29/591,000**

(22) Filed: **Jan. 16, 2017**

(30) **Foreign Application Priority Data**

Jul. 14, 2016 (HK) 1601348

(51) **LOC (11) Cl.** **14-02**

(52) **U.S. Cl.**
USPC **D14/420**

(58) **Field of Classification Search**

USPC D14/420, 426-428, 447, 453, 385, 363,
D14/358, 240, 356, 362, 365, 370, 383,
D14/388, 432, 433, 435, 439, 442, 443;
D18/4.6, 56; D13/158, 162, 171, 147,
D13/164; 235/440, 462.13, 439, 492,
235/380, 375, 486, 382, 451, 487, 381,
235/441, 472.01-472.03, 462.45, 462.47,
235/462.43, 385, 462.36, 462.01, 435,
235/454, 462.14, 462.15, 462.46, 901;
340/572.7, 573.3, 572.8, 572.1, 572.4,
340/10.1, 5.86, 539.1, 539.11, 568.1,
340/572.9; 455/41.1; 700/225; 710/2,
710/301, 64; 336/221, 232; 439/159;
361/752, 679.31, 679.32, 679.38, 679.45,
361/800; 358/473, 483, 474, 482;
379/436, 438; 312/223.1; 347/86, 49
CPC G06K 7/10653; G06K 7/1098; G06K
7/10633; G06K 7/10831; G06K 7/10881;
G06K 7/10584; G06K 7/10613; G06K
7/10871; G06K 7/109; G06K 7/10693;

G06K 7/1096; G06K 7/10564; G06K
7/10603; G06K 7/10663; G06K 7/10673;
G06K 7/10702; G06K 7/10792; G06K
7/10891; G06K 7/14; G06K 7/1443;
G06K 7/10801; G06K 7/10851; G06K
7/10861; G06K 2207/1013; G06K
2207/1016; G06K 2207/1011; G06K
2207/1012; G06K 2207/1017; G06K
2207/1018; G06K 2207/10534; G06K
2007/10485; G06K 1/18; G06K 7/10326;
G06K 7/10009; G06K 7/1095; G06K
7/1097; G06K 19/07788; G06K 19/0722;
G06K 19/0723; G06K 19/0725; G06K
19/0728; G02B 26/10; G02B 26/105;
G02B 26/106; B41J 2/17559;
(Continued)

(56) **References Cited**

U.S. PATENT DOCUMENTS

D231,134 S * 4/1974 Doodson D10/106.1
D589,914 S * 4/2009 Wang D14/125
(Continued)

Primary Examiner — Susan Moon Lee

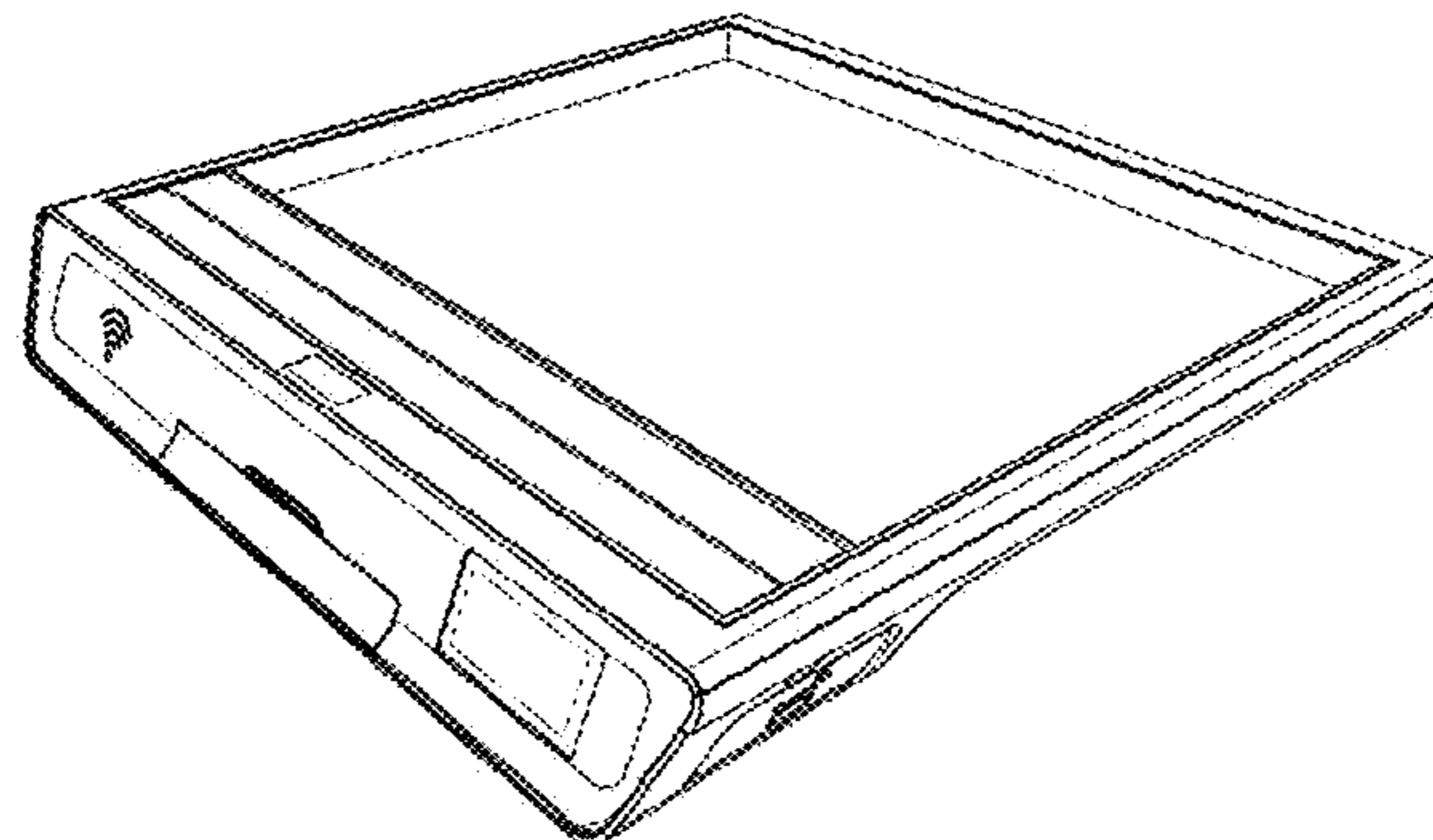
(57) **CLAIM**

The ornamental design for a portable radio frequency tag reader tray, as shown and described.

DESCRIPTION

FIG. 1 is a first perspective view of a portable radio frequency tag reader tray showing my new design;
FIG. 2 is a second perspective view thereof;
FIG. 3 is a front elevational view thereof;
FIG. 4 is a rear elevational view thereof;
FIG. 5 is a right side view thereof;
FIG. 6 is a left side view thereof;
FIG. 7 is a top plan view thereof; and,
FIG. 8 is a bottom plan view thereof.

1 Claim, 8 Drawing Sheets



(58) **Field of Classification Search**

CPC B41J 2/17513; B41J 2/17523; B41J
2/17553; B41J 2/17566; B41J 2/1752;
B41J 2/17593; B41J 2/1755; B41F
33/0081; A47F 9/046; A47F 9/047; G07G
1/0045; G07G 1/0081; G07G 1/009;
G04N 5/23238; G04N 5/2252; G04N
5/2251; G03B 17/02; B25H 5/00; B66F
7/28; G07F 11/002; G07F 11/02; G06Q
20/343; G06F 2203/0331; Y10S 235/901

See application file for complete search history.

(56) **References Cited**

U.S. PATENT DOCUMENTS

D669,079 S * 10/2012 Hansen D14/420
D710,361 S * 8/2014 Park D14/420

* cited by examiner

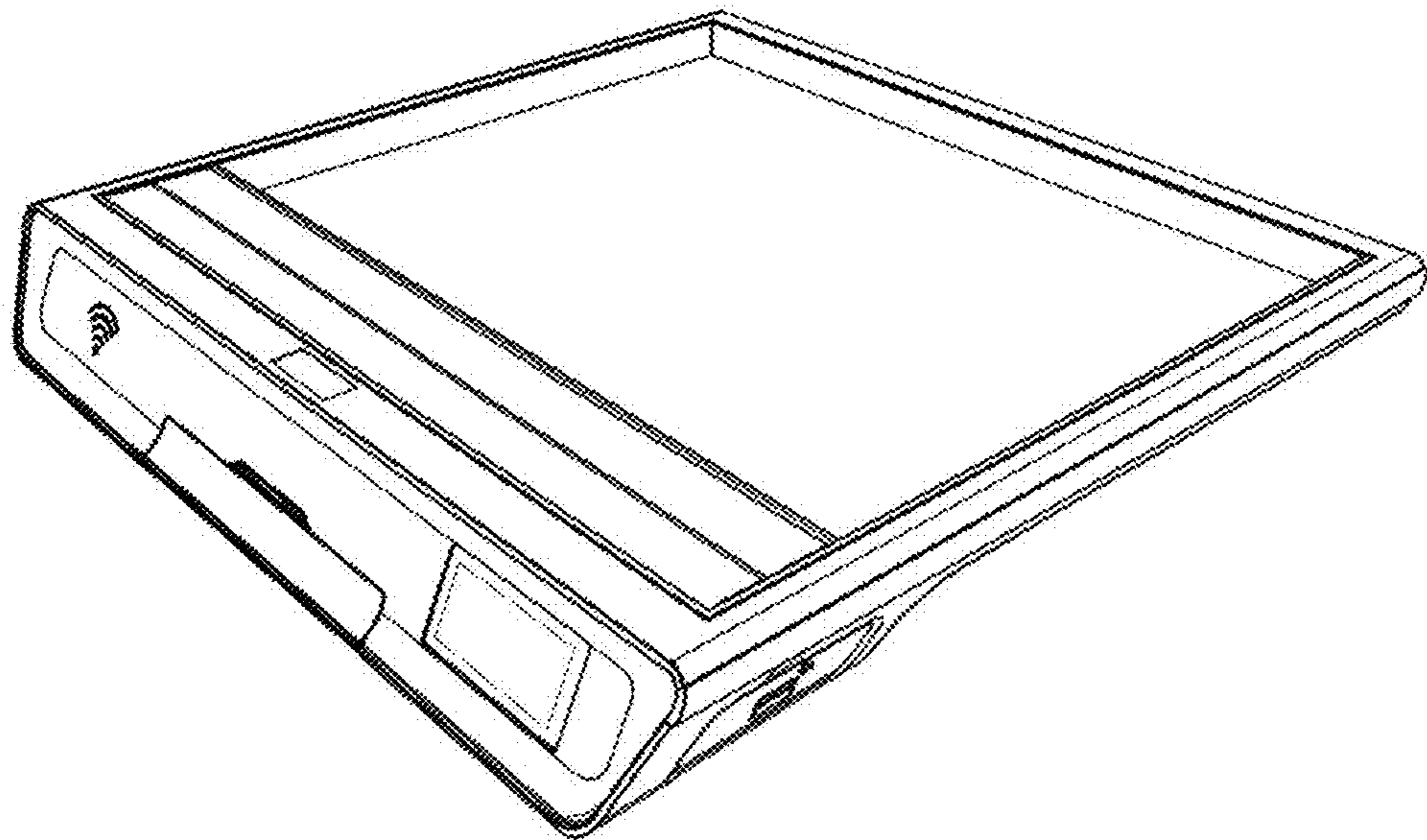


Fig. 1

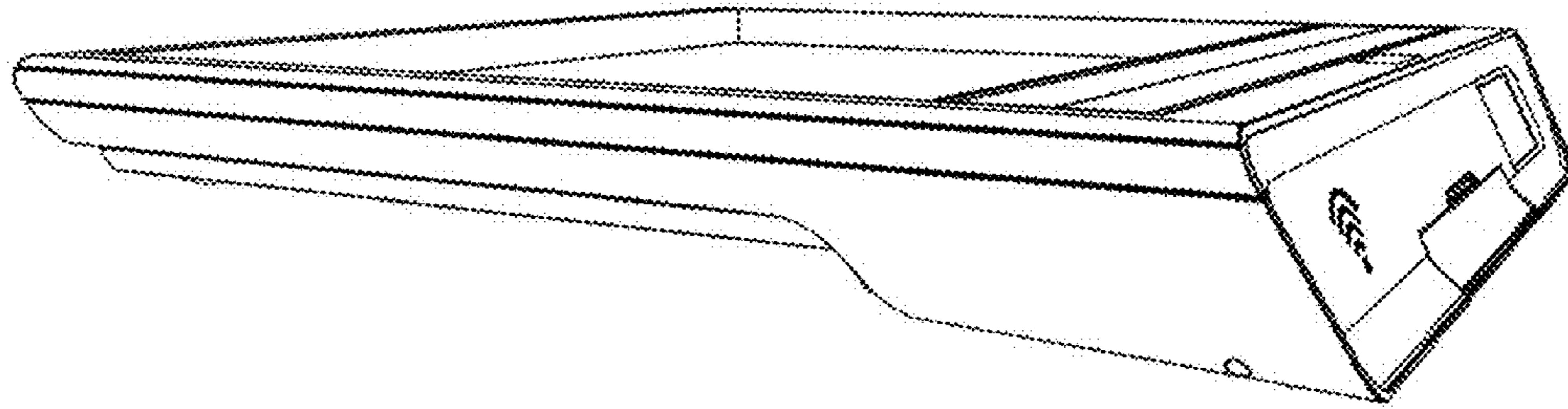


Fig. 2

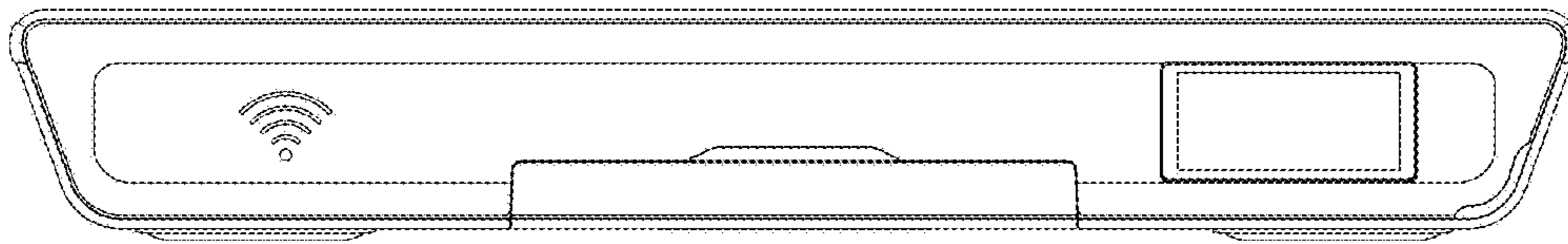


Fig. 3

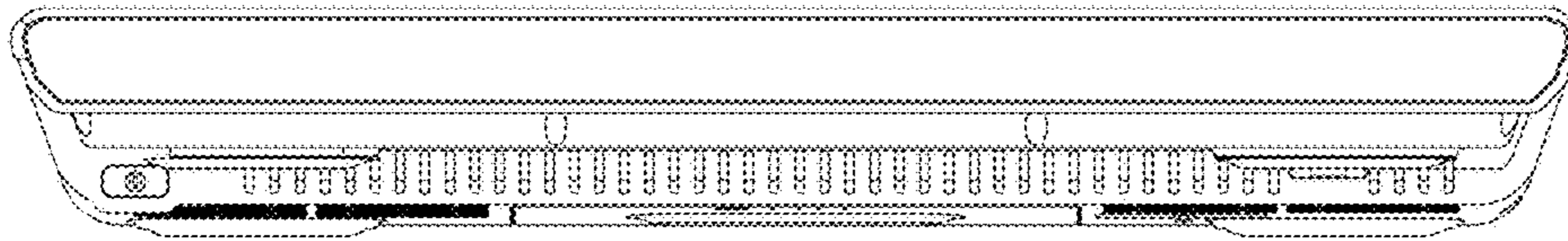


Fig. 4

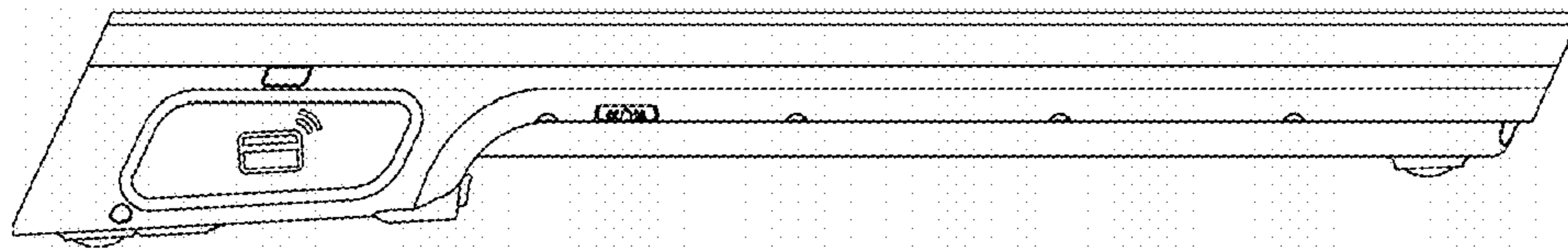


Fig. 5

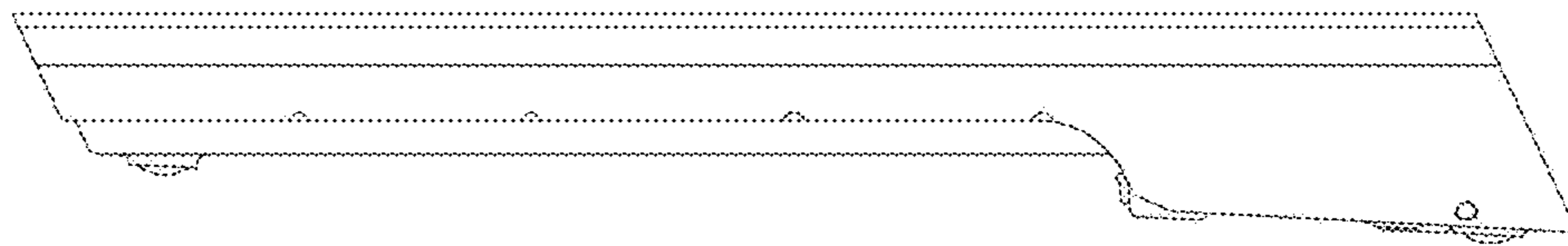


Fig. 6

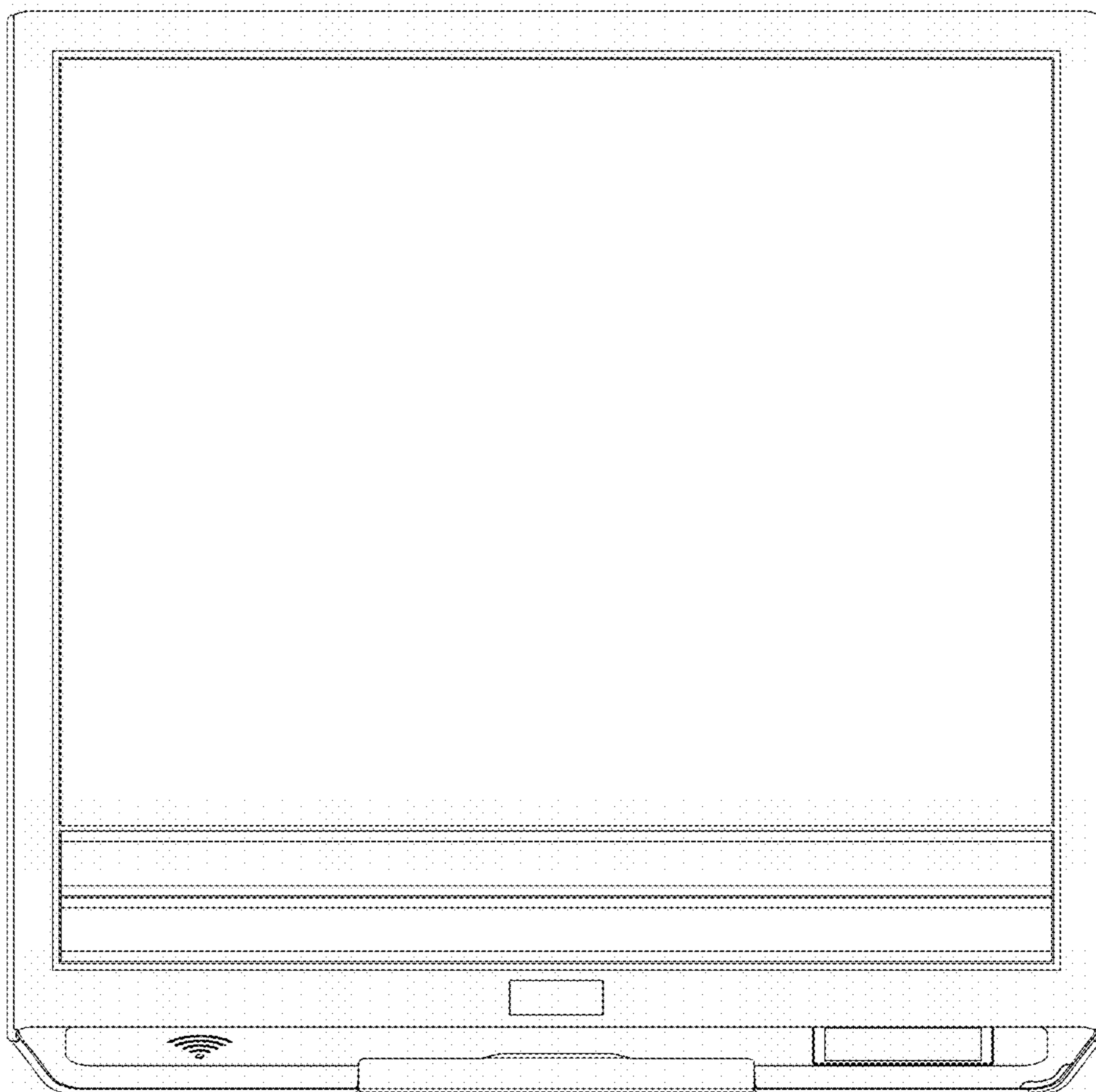


Fig. 7

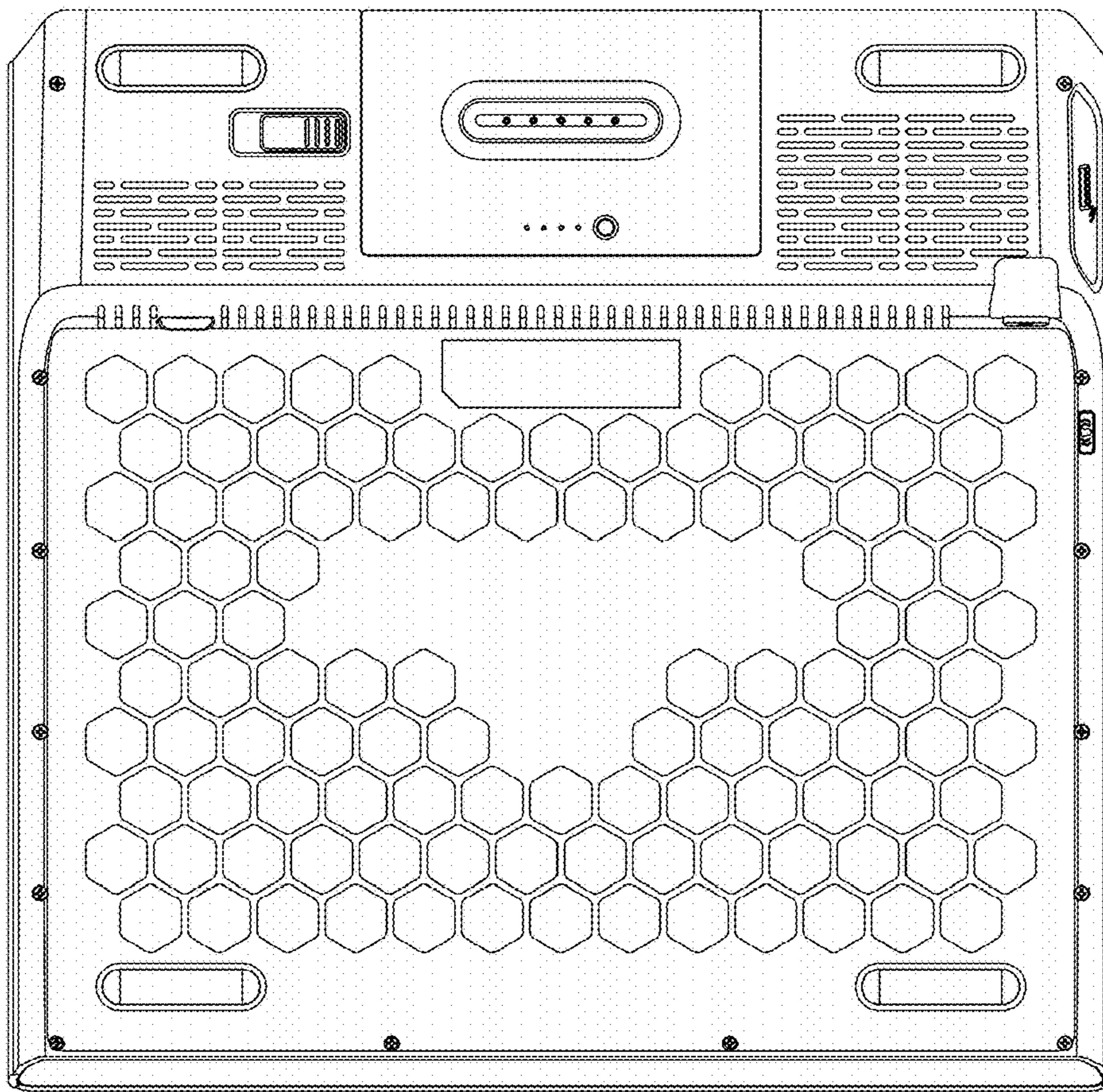


Fig. 8