



US00D842300S

(12) **United States Design Patent** (10) **Patent No.:** **US D842,300 S**
Chiang et al. (45) **Date of Patent:** **** Mar. 5, 2019**

- (54) **DISPLAY DEVICE**
- (71) Applicant: **HTC Corporation**, Taoyuan (TW)
- (72) Inventors: **Meng-Sheng Chiang**, Taoyuan (TW);
Lee-Wei Chen, Taoyuan (TW);
Yien-Chun Kuo, Taoyuan (TW);
Hung-Yu Chen, Taoyuan (TW)
- (73) Assignee: **HTC Corporation**, Taoyuan (TW)
- (**) Term: **15 Years**
- (21) Appl. No.: **29/605,494**
- (22) Filed: **May 26, 2017**
- (51) **LOC (11) Cl.** **14-02**
- (52) **U.S. Cl.**
USPC **D14/372**
- (58) **Field of Classification Search**
USPC D14/372, 496, 432, 371, 125, 126, 129,
D14/299; D16/300-342; 351/158, 153,
351/144; 345/7-9, 905; 455/344;
348/115, 53, 121, 739
CPC G02B 27/017; G02B 27/0158; G02B
27/0161; G02B 27/0181; G02B 27/0185;
G02B 27/0189
See application file for complete search history.

D810,743 S * 2/2018 Yee D14/372
D812,612 S * 3/2018 Gribetz D14/372
D813,233 S * 3/2018 Lee D14/372

FOREIGN PATENT DOCUMENTS

JP 1566663 S 1/2017
JP 1568758 S 2/2017

OTHER PUBLICATIONS

Taiwanese Office Action and Search Report for Taiwanese Appli-
cation No. 106305754, dated Nov. 16, 2017.

(Continued)

Primary Examiner — Austin Murphy

(74) *Attorney, Agent, or Firm* — Birch, Stewart, Kolasch
& Birch, LLP

(57) **CLAIM**

The ornamental design for display device, as shown and
described.

DESCRIPTION

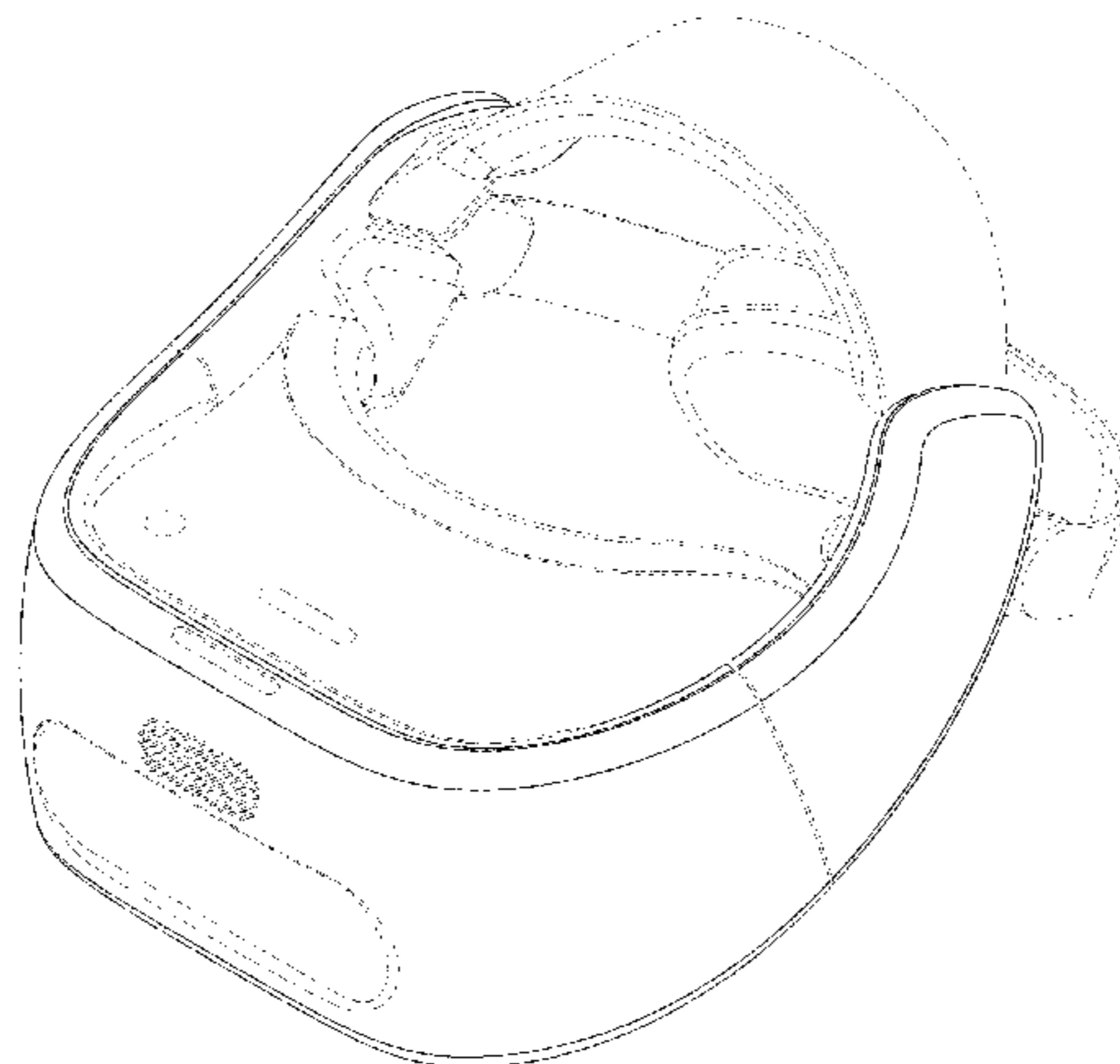
FIG. 1 is a top and front perspective view of a display device
showing our new design;
FIG. 2 is a front view thereof;
FIG. 3 is a rear view thereof;
FIG. 4 is a right side view thereof;
FIG. 5 is a left side view thereof;
FIG. 6 is a top view thereof;
FIG. 7 is a bottom view thereof; and,
FIG. 8 is a top and rear perspective view thereof.
The broken lines immediately adjacent the claimed areas
represent the bounds of the claimed design while all other
broken lines are directed to environment and are for illus-
trative purposes only. The broken lines form no part of the
claimed design.

1 Claim, 6 Drawing Sheets

(56) **References Cited**

U.S. PATENT DOCUMENTS

D727,896 S * 4/2015 Laluque D14/372
D732,028 S 6/2015 Kim et al.
D741,860 S 10/2015 Bosveld et al.
D759,654 S 6/2016 Sullivan et al.
D761,257 S * 7/2016 Passmore D14/372
D764,456 S 8/2016 Akana et al.
D776,110 S * 1/2017 Gribetz D14/372
D785,619 S * 5/2017 Su D14/372
D798,298 S * 9/2017 Haber D14/372
D805,071 S * 12/2017 Park D14/372
D805,074 S * 12/2017 Hu D14/372



(56)

References Cited

OTHER PUBLICATIONS

Taiwanese Office Action and Search Report for Taiwanese Application No. 106305755, dated Nov. 27, 2017.

Taiwanese Office Action and Search Report for Taiwanese Application No. 106305756, dated Nov. 27, 2017.

Taiwanese Office Action and Search Report for Taiwanese Application No. 106305757, dated Nov. 27, 2017.

* cited by examiner

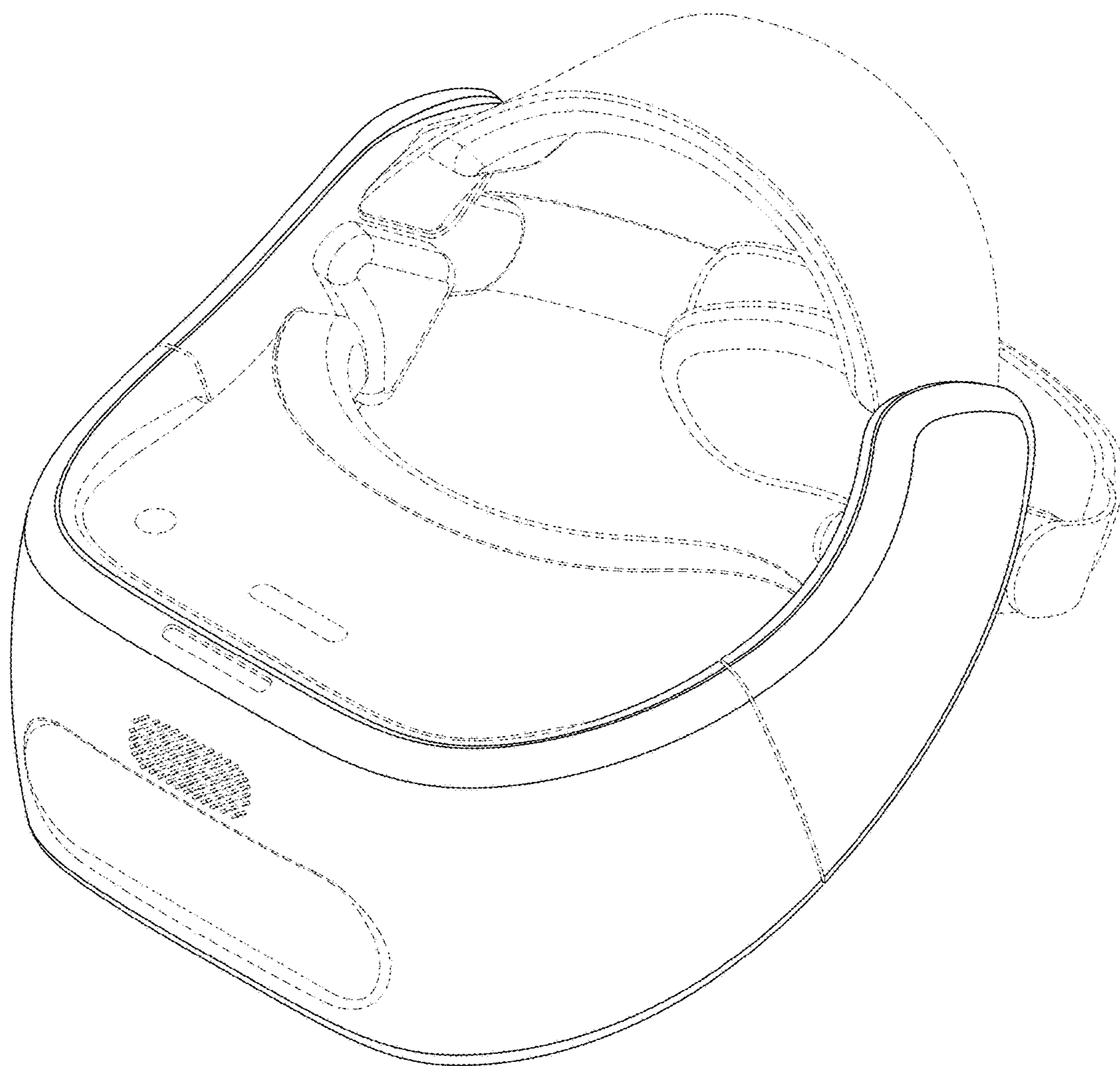


FIG. 1

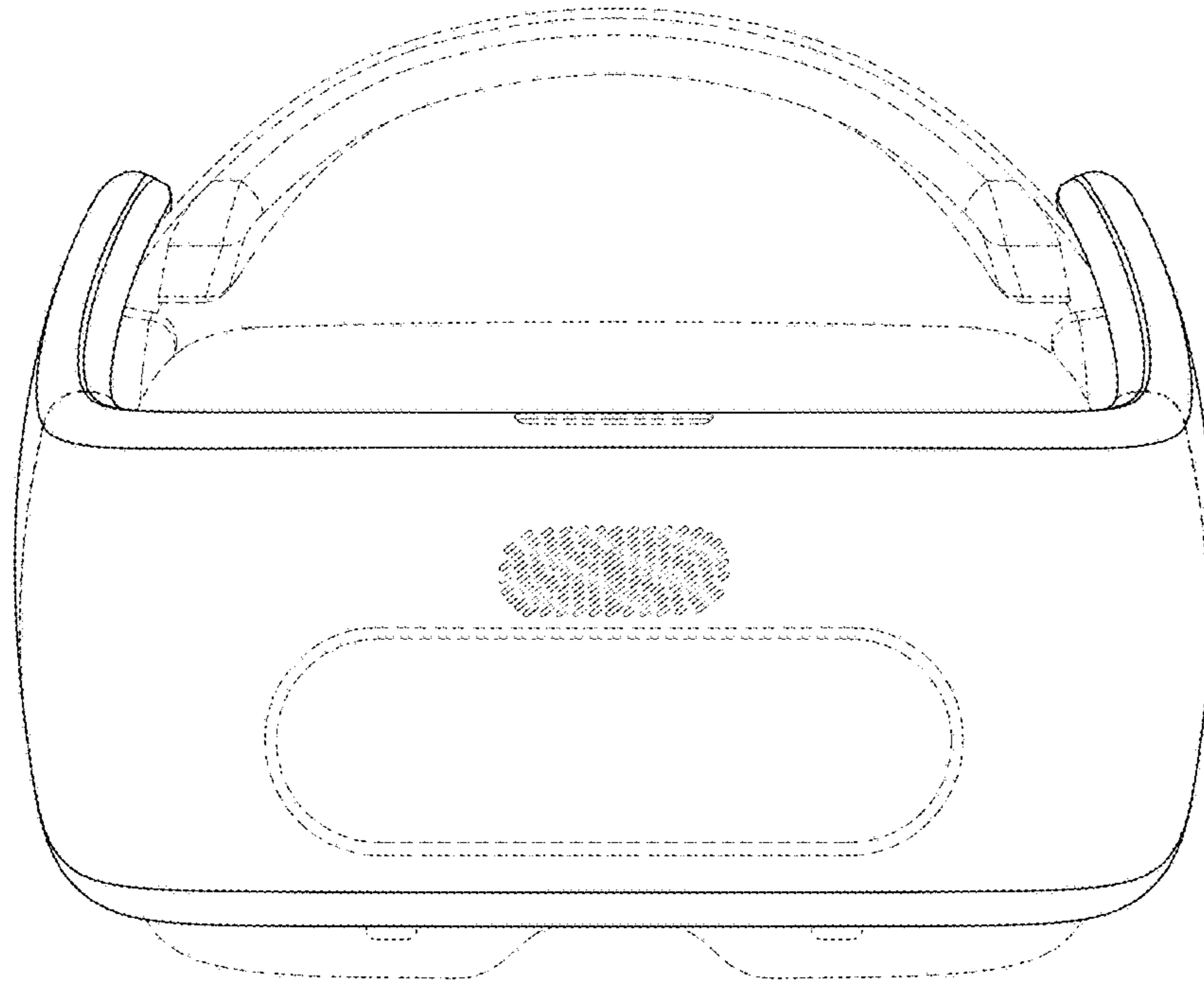


FIG. 2

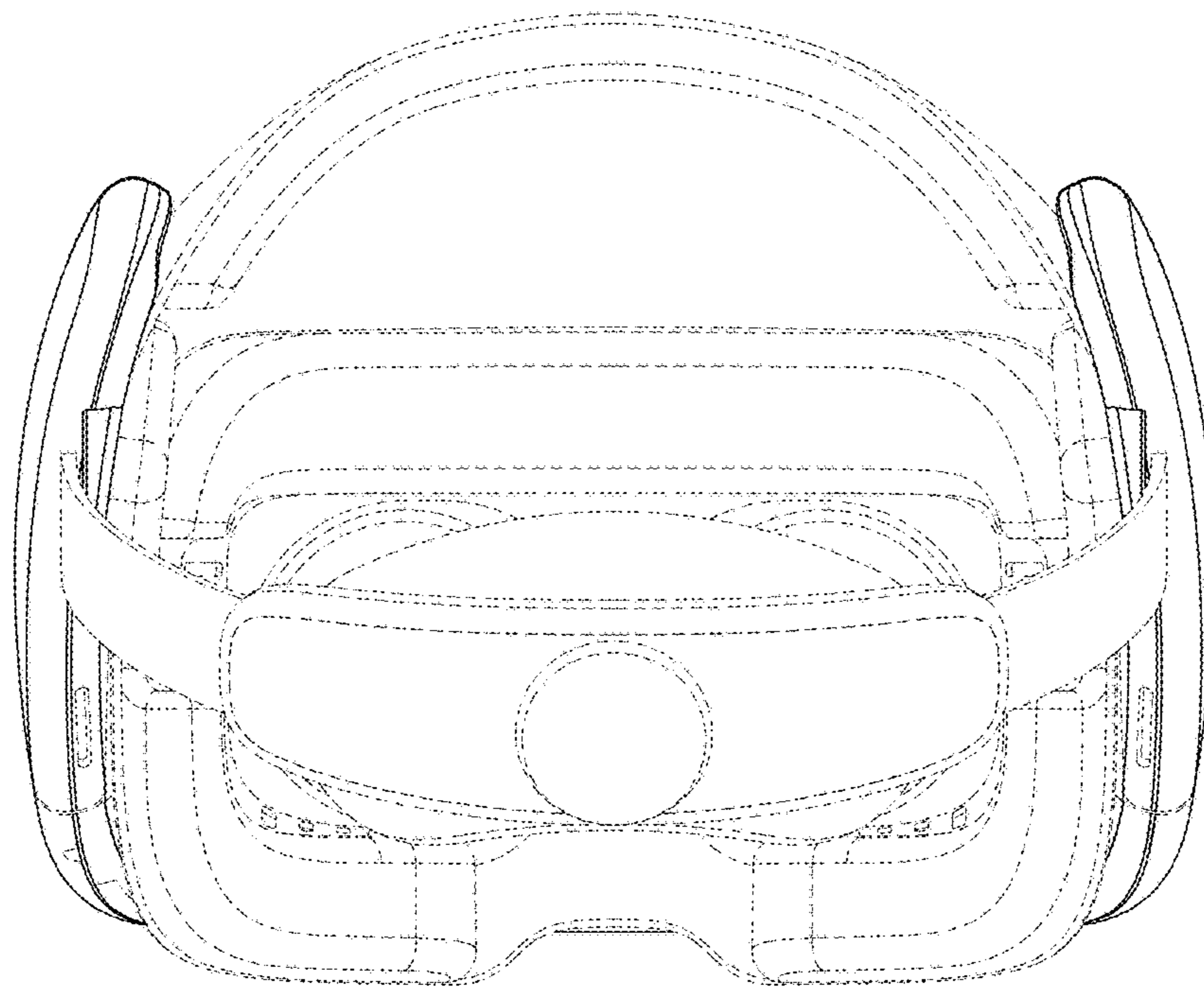


FIG. 3

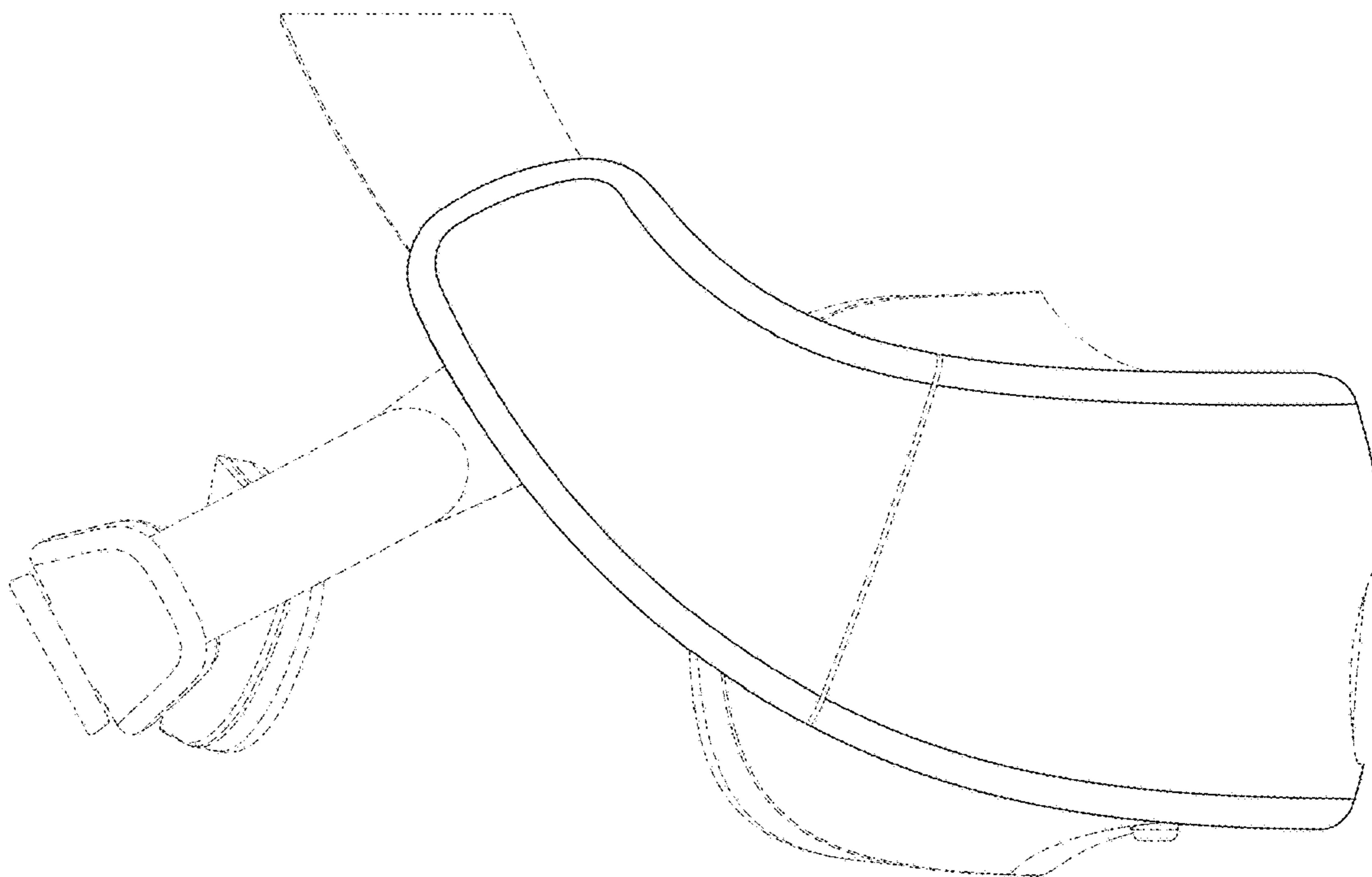


FIG. 4

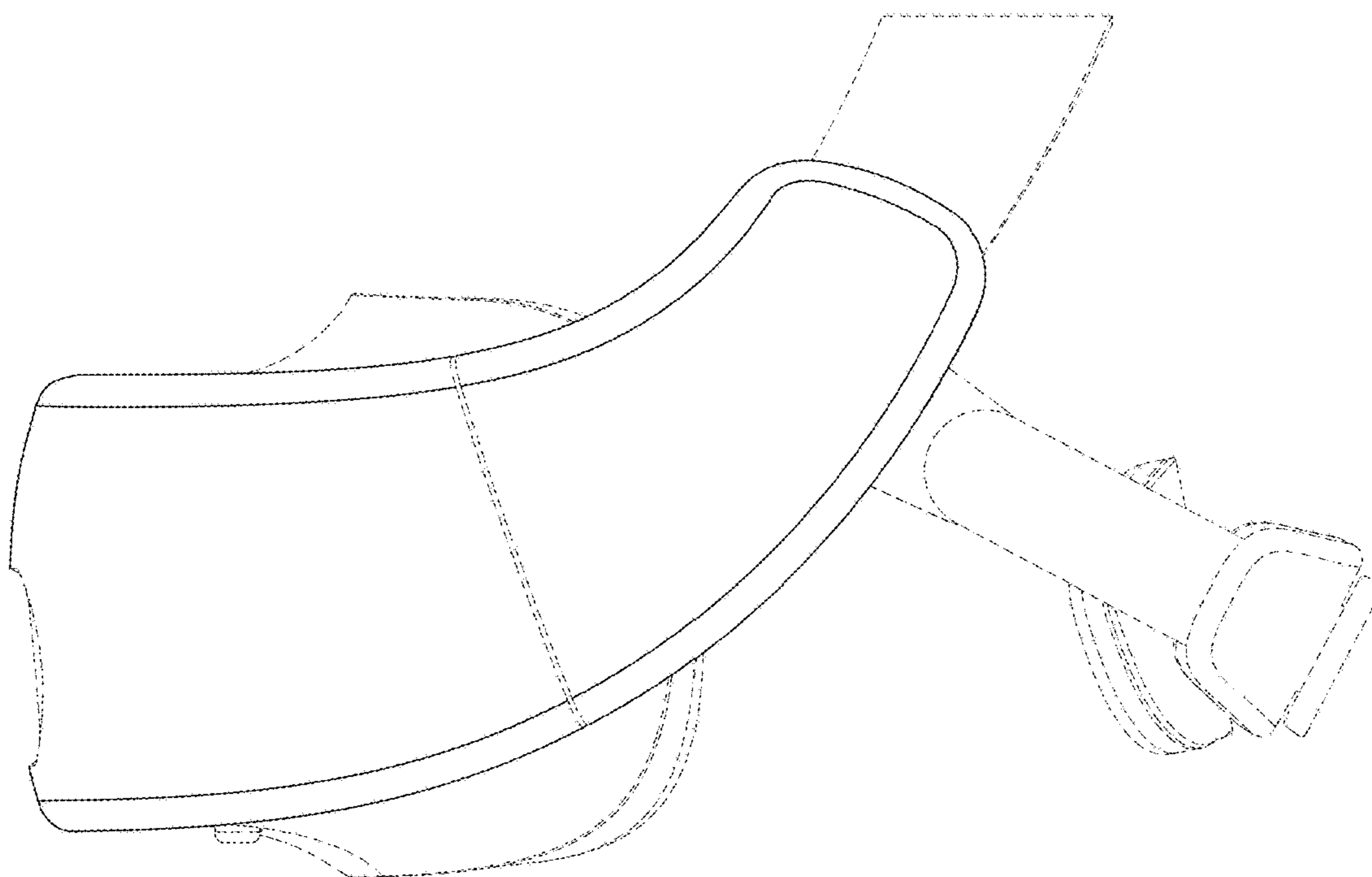


FIG. 5

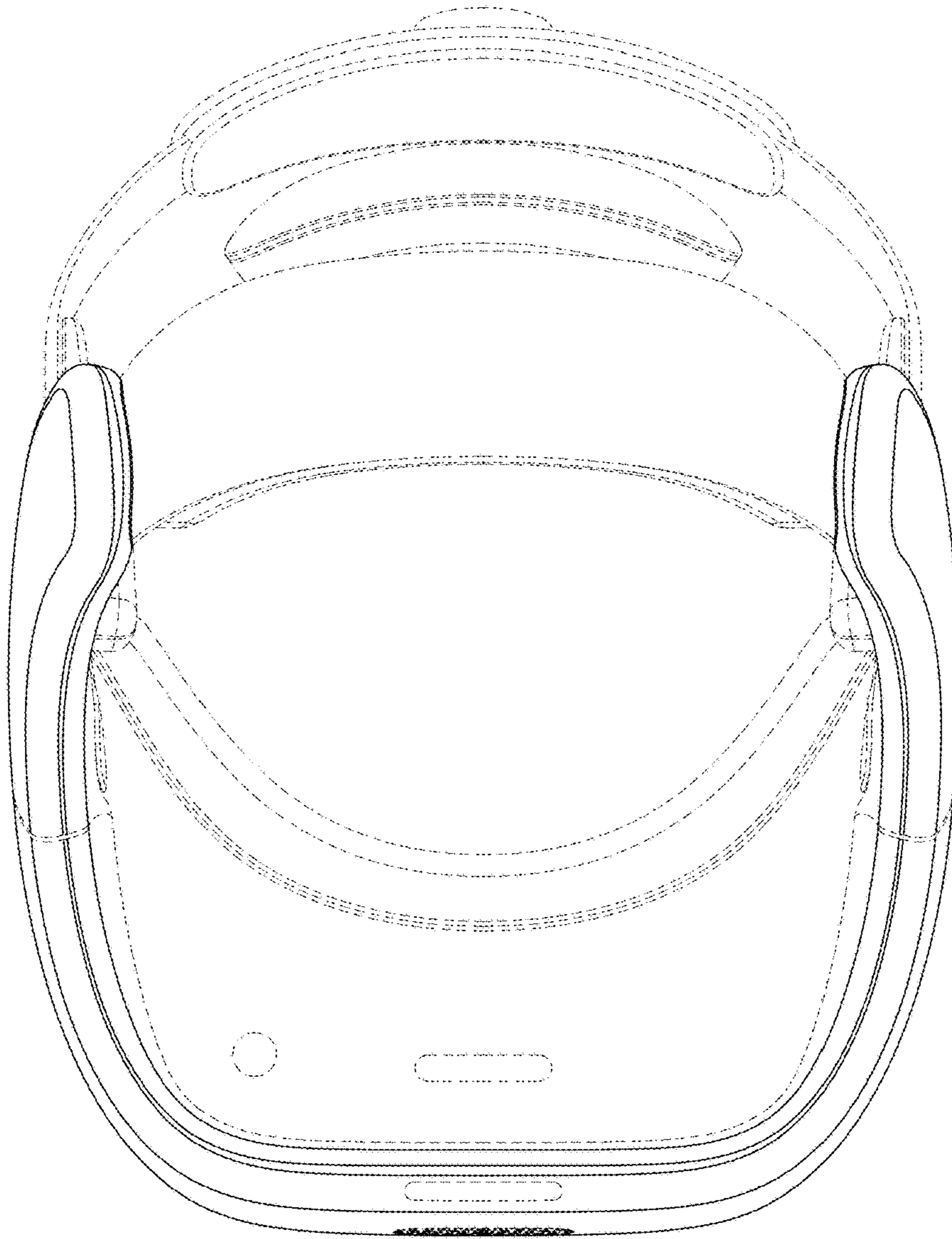


FIG. 6

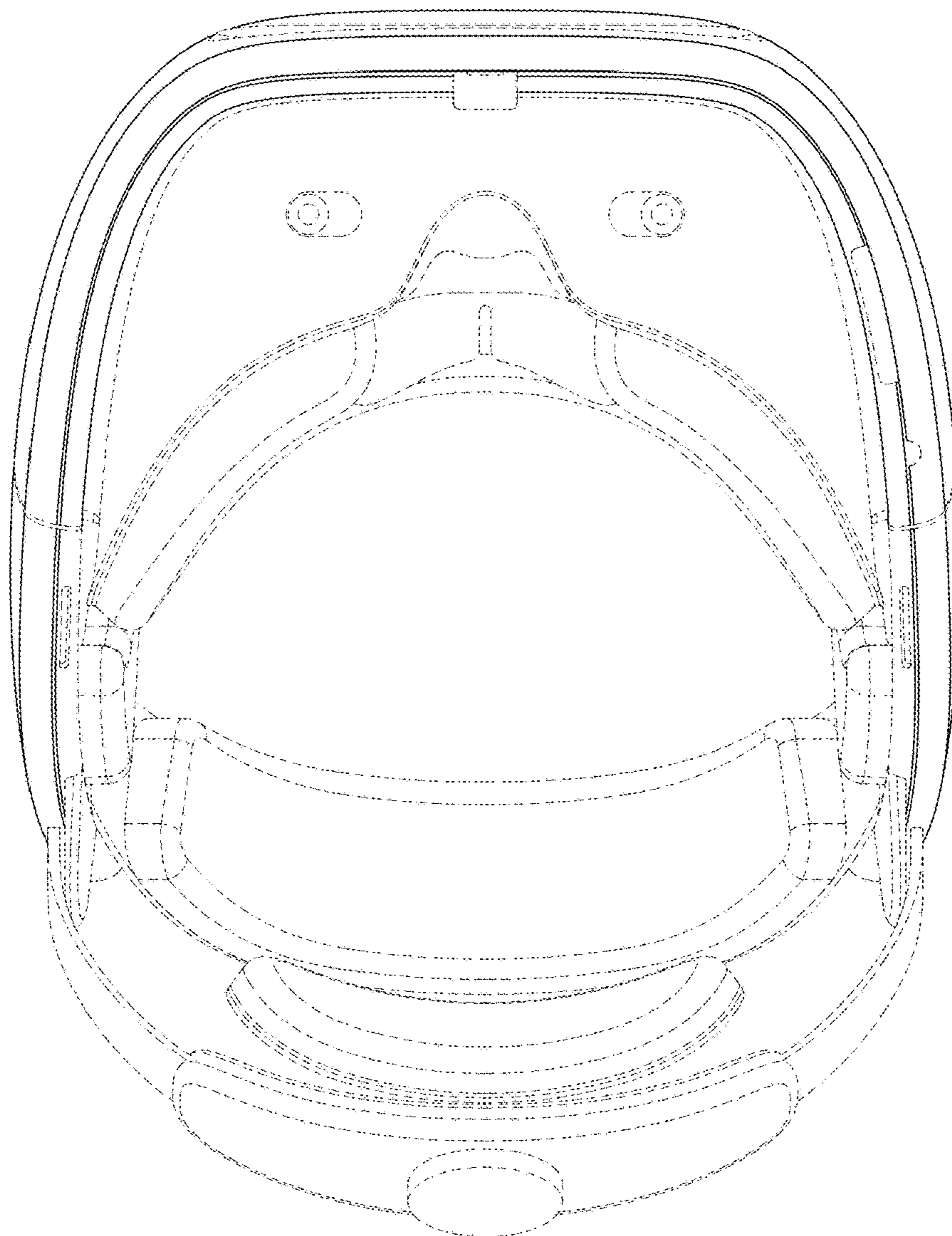


FIG. 7

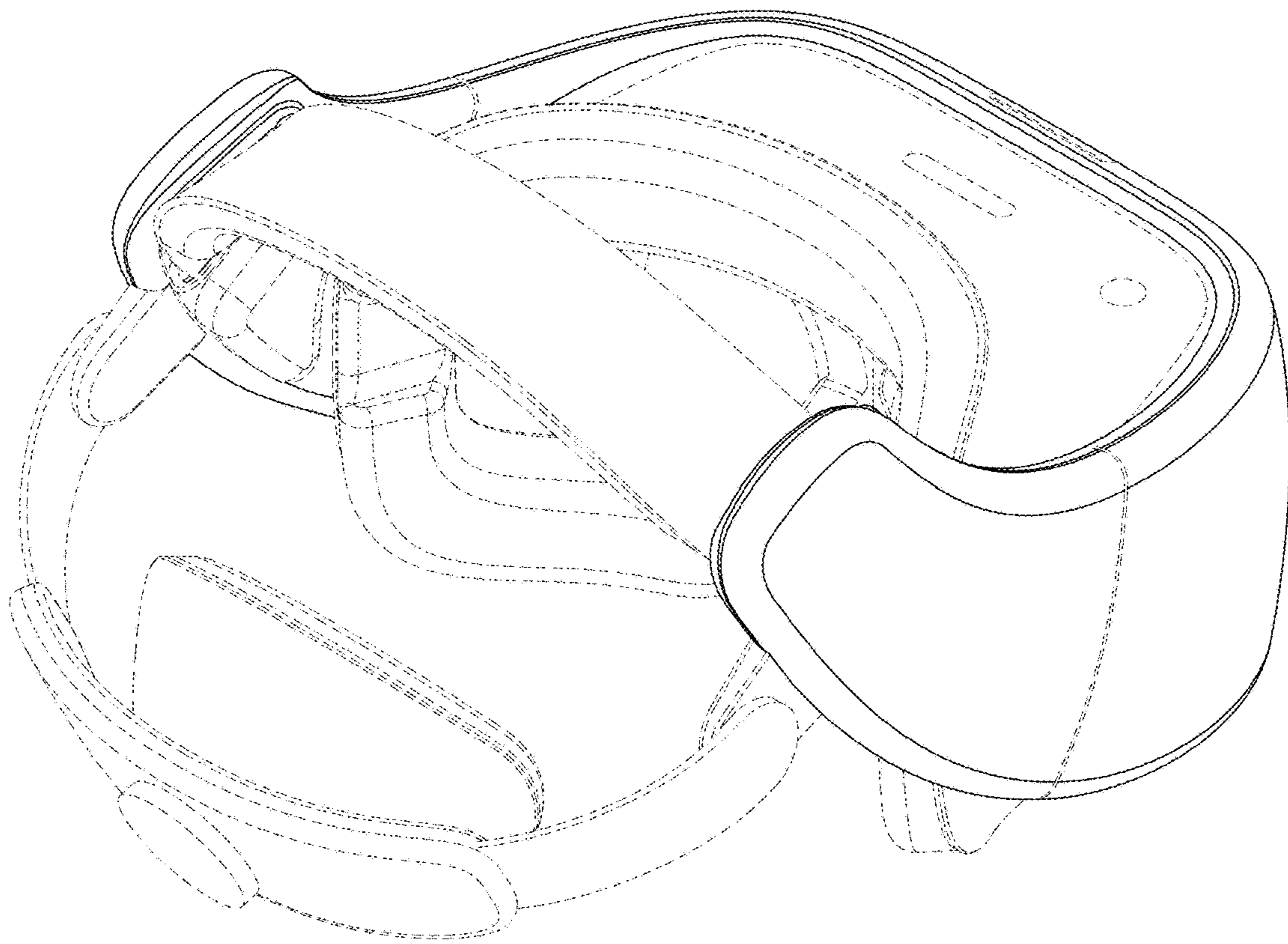


FIG. 8