



US00D842299S

(12) **United States Design Patent**  
**Lee et al.**

(10) **Patent No.:** **US D842,299 S**  
(45) **Date of Patent:** **\*\* Mar. 5, 2019**

- (54) **WRISTBAND UNIT**
- (71) Applicant: **Medipines Corporation**, Newport Beach, CA (US)
- (72) Inventors: **Steve Lee**, Newport Beach, CA (US); **Marcus Kuchler**, München (DE)
- (73) Assignee: **MediPines Corporation**, Anaheim Hills, CA (US)
- (\*\*) Term: **15 Years**
- (21) Appl. No.: **29/571,617**
- (22) Filed: **Jul. 20, 2016**
- (51) **LOC (11) Cl.** ..... **14-02**
- (52) **U.S. Cl.**  
USPC ..... **D14/344**
- (58) **Field of Classification Search**  
USPC ..... D14/344, 138 R; D10/30-39, 70, 98; D11/3, 93-94; D24/167, 169, 186-187; 361/679.03; 379/433.1  
CPC .. A41D 1/002; G06F 1/04; G06F 1/08; G06F 1/10; G06F 1/14; G06F 1/1626; G06F 1/1628; G06F 1/163; G06F 1/1635; G06F 1/3203; G06Q 20/10; G06Q 20/12; G06Q 20/108; G06Q 20/145; H04B 1/3833; H04B 1/385; H04B 1/3888; H04M 1/02; H04M 1/03; H04M 1/04; H04M 1/05; H04M 1/667; H04M 1/6058; Y02B 60/1217  
See application file for complete search history.

(56) **References Cited**

**U.S. PATENT DOCUMENTS**

- D480,396 S \* 10/2003 Buckner ..... D14/341
- D492,999 S \* 7/2004 Lax ..... D24/167
- D504,130 S \* 4/2005 Denhez ..... D14/341
- D601,142 S \* 9/2009 Lindley ..... D14/240

- D625,721 S \* 10/2010 Ferber ..... D14/358
- D631,552 S \* 1/2011 Kasabach ..... D24/186
- 8,370,549 B2 \* 2/2013 Burton ..... A63B 24/00 703/1

(Continued)

**OTHER PUBLICATIONS**

TomTom Bluetooth Heart Rate Monitor, posted Mar. 21, 2014, [retrieved Mar. 2, 2018]. Retrieved from Internet, <URL: <https://www.amazon.com/TomTom-Bluetooth-Heart-Rate-Monitor/dp/B00ENWESCM>>.\*

(Continued)

*Primary Examiner* — Barbara Fox

*Assistant Examiner* — Kristin E Reed

(74) *Attorney, Agent, or Firm* — Farjami & Farjami LLP

(57) **CLAIM**

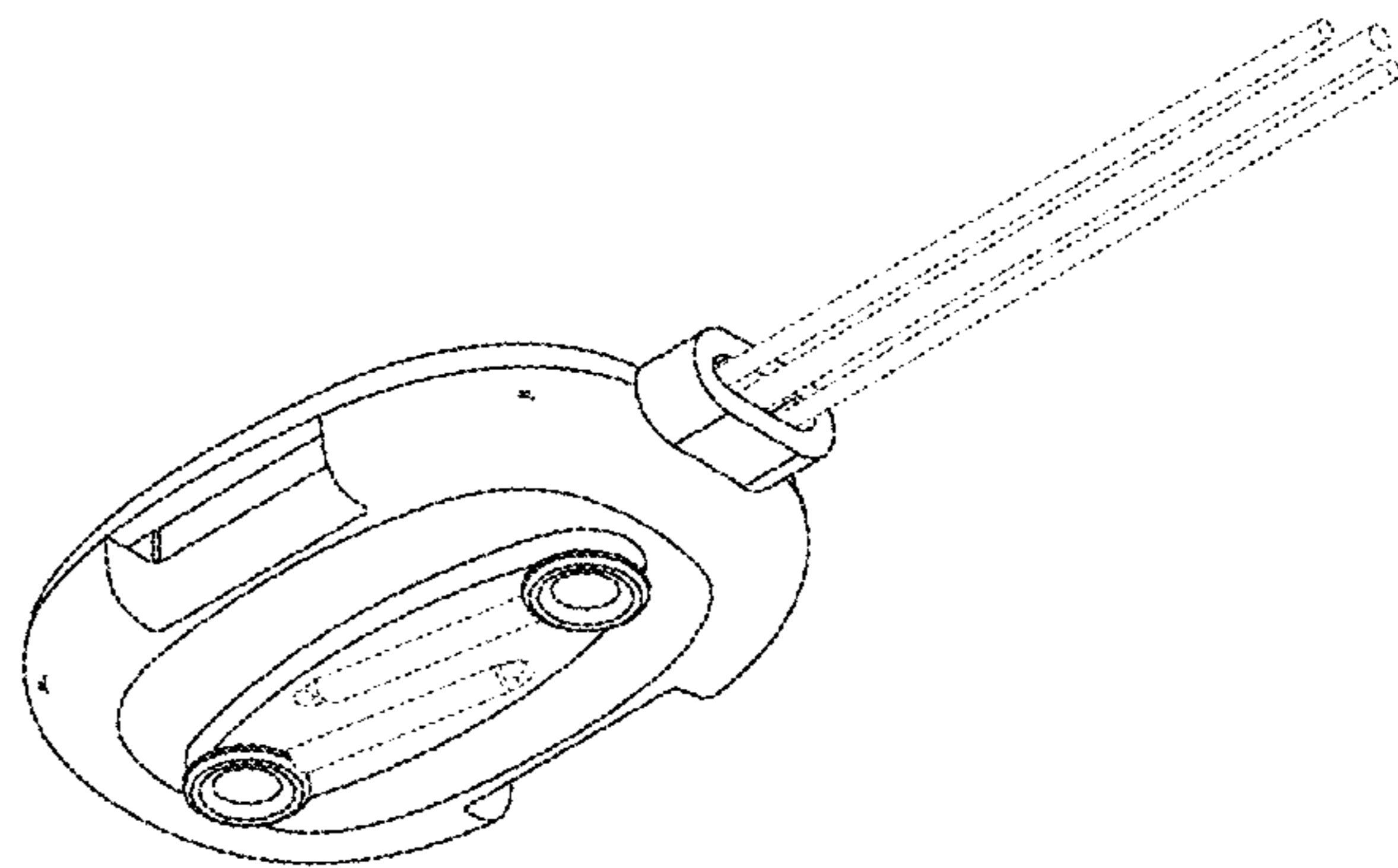
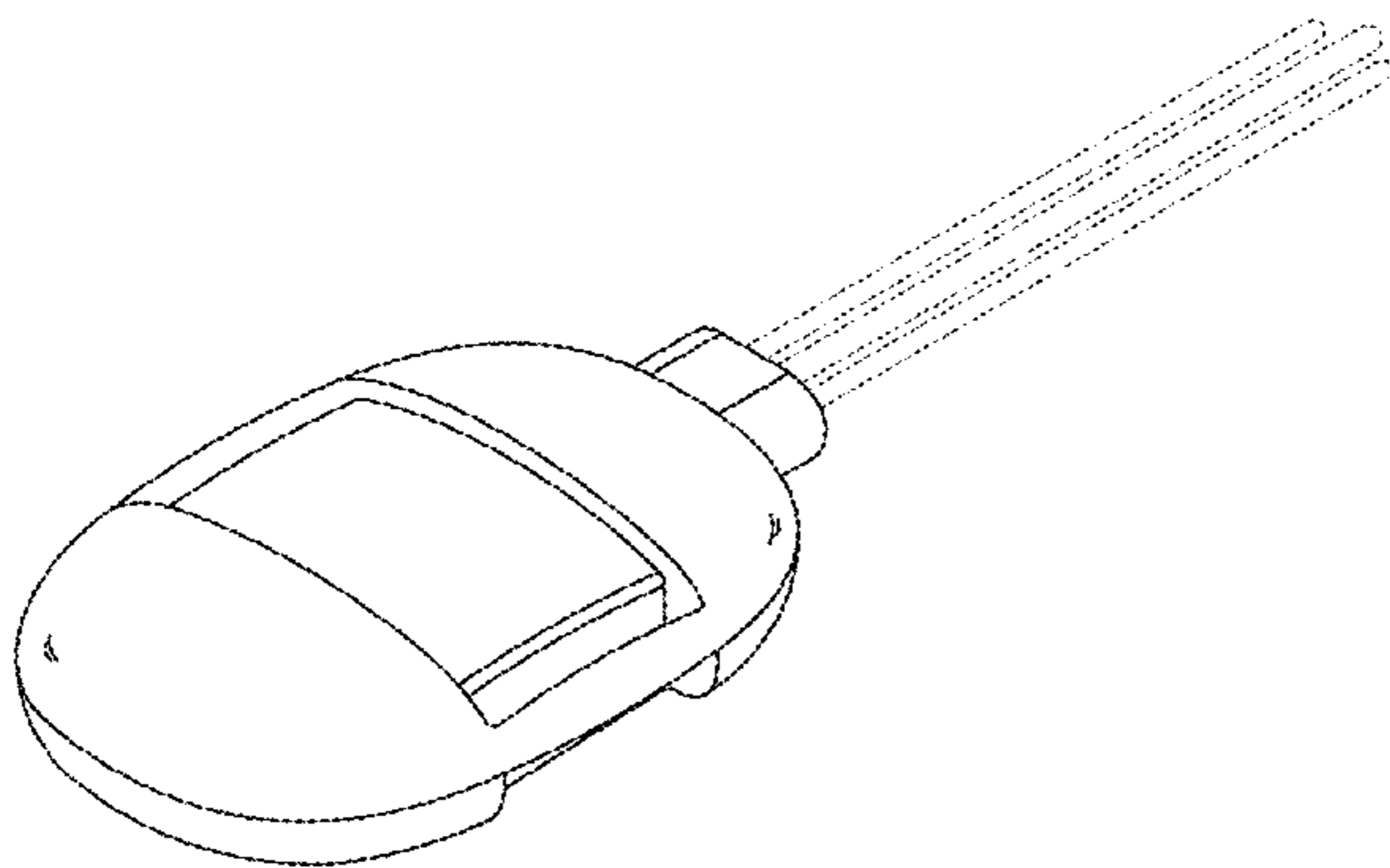
The ornamental design for a wristband unit, as shown and described.

**DESCRIPTION**

FIG. 1 is a front top perspective view of a wristband unit, according to the design;  
 FIG. 2 is a rear bottom perspective view of the wristband unit, according to the design;  
 FIG. 3 is a rear elevational view of a wristband unit, according to the design;  
 FIG. 4 is a left side elevational view of a wristband unit, according to the design;  
 FIG. 5 is a front elevational view of a wristband unit, according to the design;  
 FIG. 6 is a right side elevational view of a wristband unit, according to the design;  
 FIG. 7 is a bottom plan view of a wristband unit, according to the design; and,  
 FIG. 8 is a top plan view of a wristband unit, according to the design.

The broken lines shown in the drawings depict portions of the wristband unit that form no part of the claimed design.

**1 Claim, 3 Drawing Sheets**



(56)

**References Cited**

## U.S. PATENT DOCUMENTS

8,438,999 B2 \* 5/2013 Nardi ..... A01K 27/009  
119/718  
D718,866 S \* 12/2014 Law ..... D24/167  
D736,107 S \* 8/2015 Lee ..... D10/70  
D740,150 S \* 10/2015 Howsam ..... D11/3  
D752,469 S \* 3/2016 Rastrick ..... D11/3  
D765,656 S \* 9/2016 Forakis ..... D10/38  
D777,331 S \* 1/2017 Jayalath ..... D14/344  
D806,706 S \* 1/2018 Kim ..... D14/344

## OTHER PUBLICATIONS

Zephyr HxM heart rate monitor review, posted Sep. 16, 2014, [retrieved Mar. 2, 2018]. Retrieved from Internet, <URL: <http://wearable.co.uk/reviews/zephyr-hxm-heart-rate-monitor-review/>>.\*  
How to choose a heart-rate monitor, posted May 23, 2014, [retrieved Mar. 2, 2018]. Retrieved from Internet, <URL: <https://www.bikeradar.com/us/gear/article/how-to-choose-a-heart-rate-monitor-40828/>>.\*  
Scosche Rhythm+, posted May 6, 2014, [retrieved Mar. 2, 2018]. Retrieved from Internet, <URL: <http://au.pcmag.com/scosche-rhythm/11294/review/scosche-rhythm>>.\*

\* cited by examiner

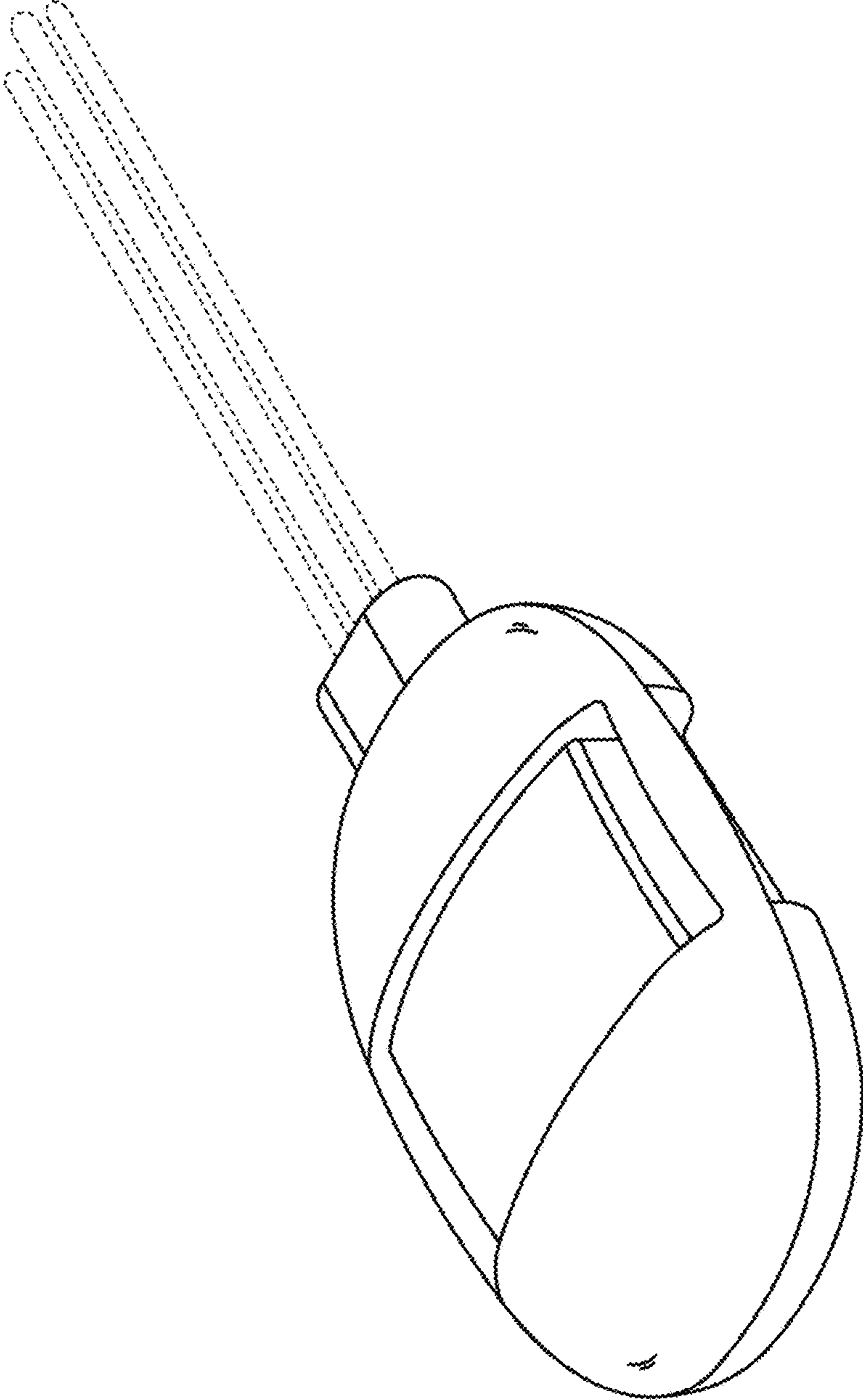


FIG. 1

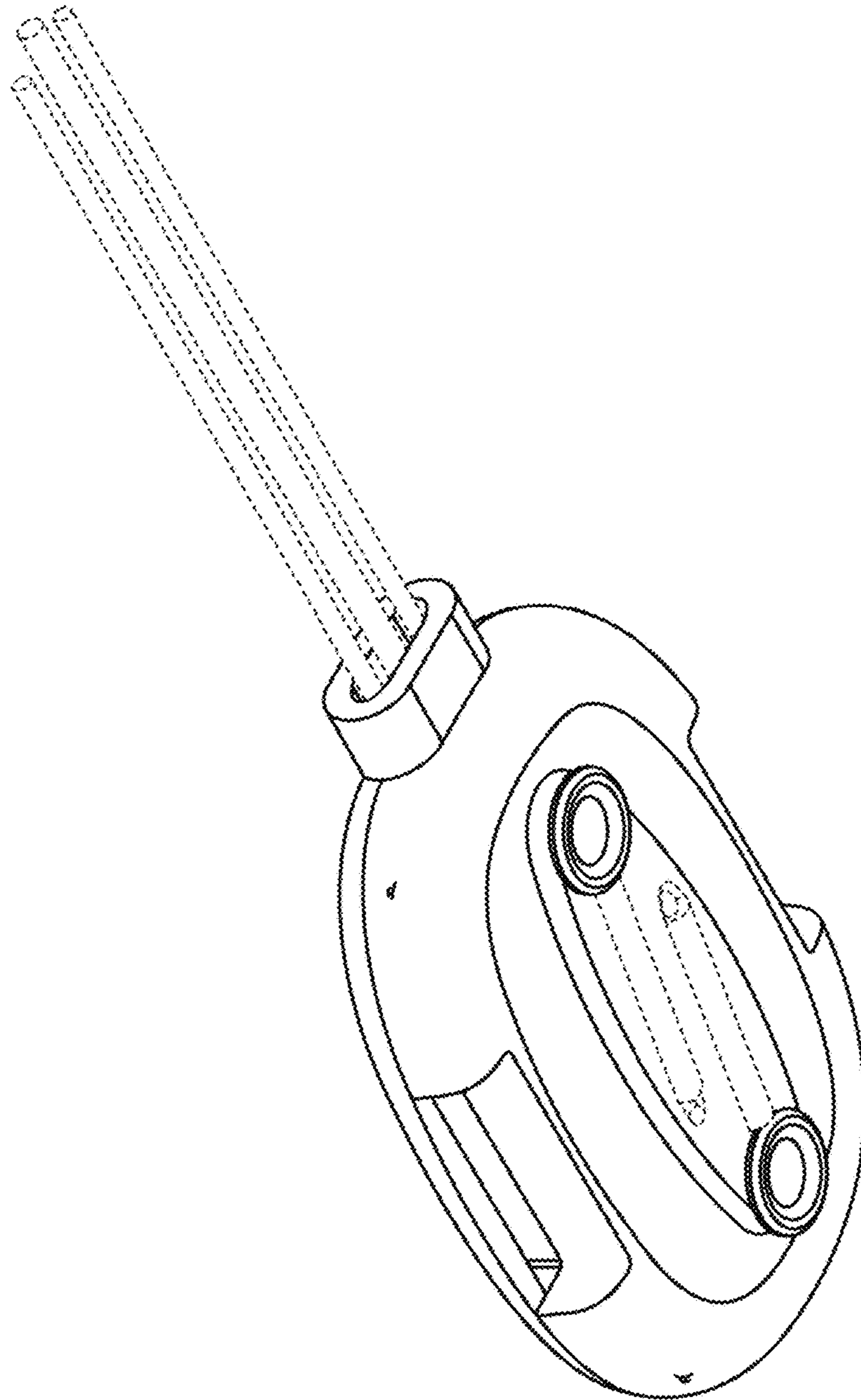


FIG. 2

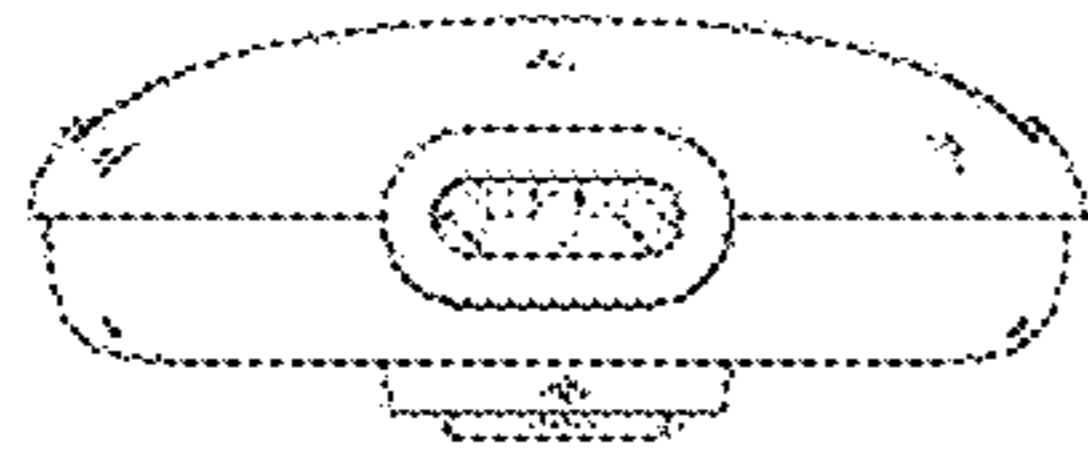


FIG. 3

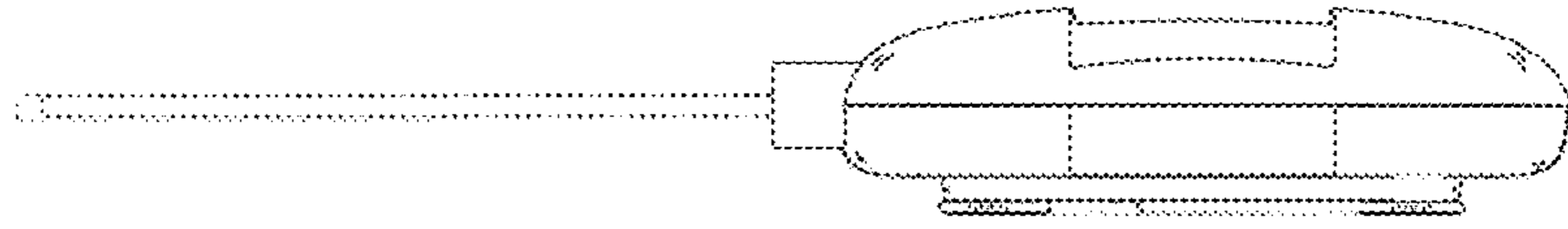


FIG. 4

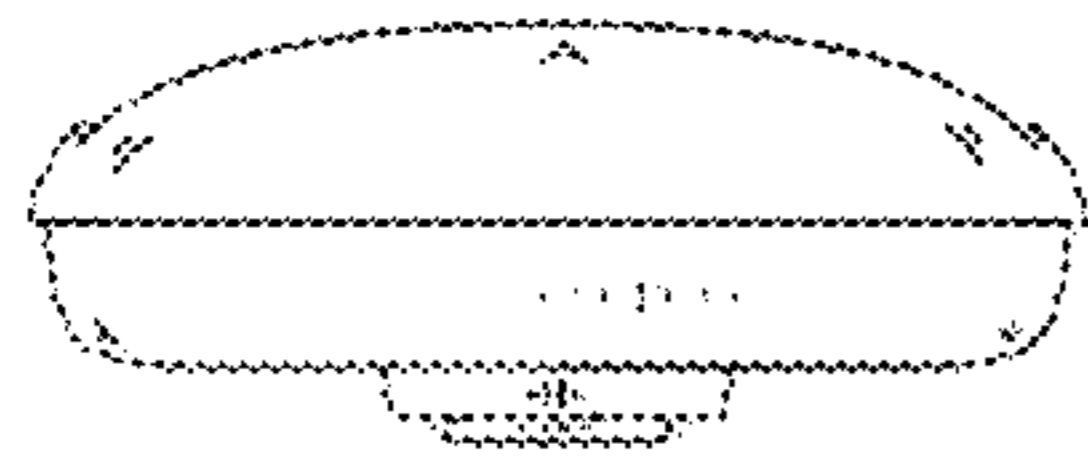


FIG. 5

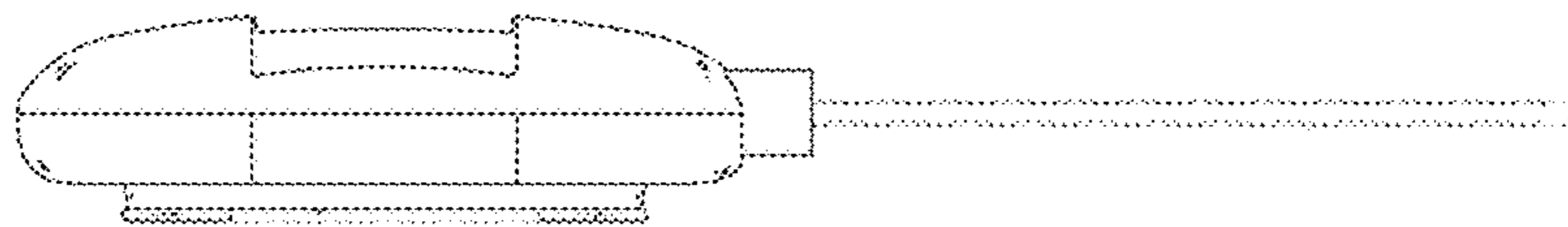


FIG. 6

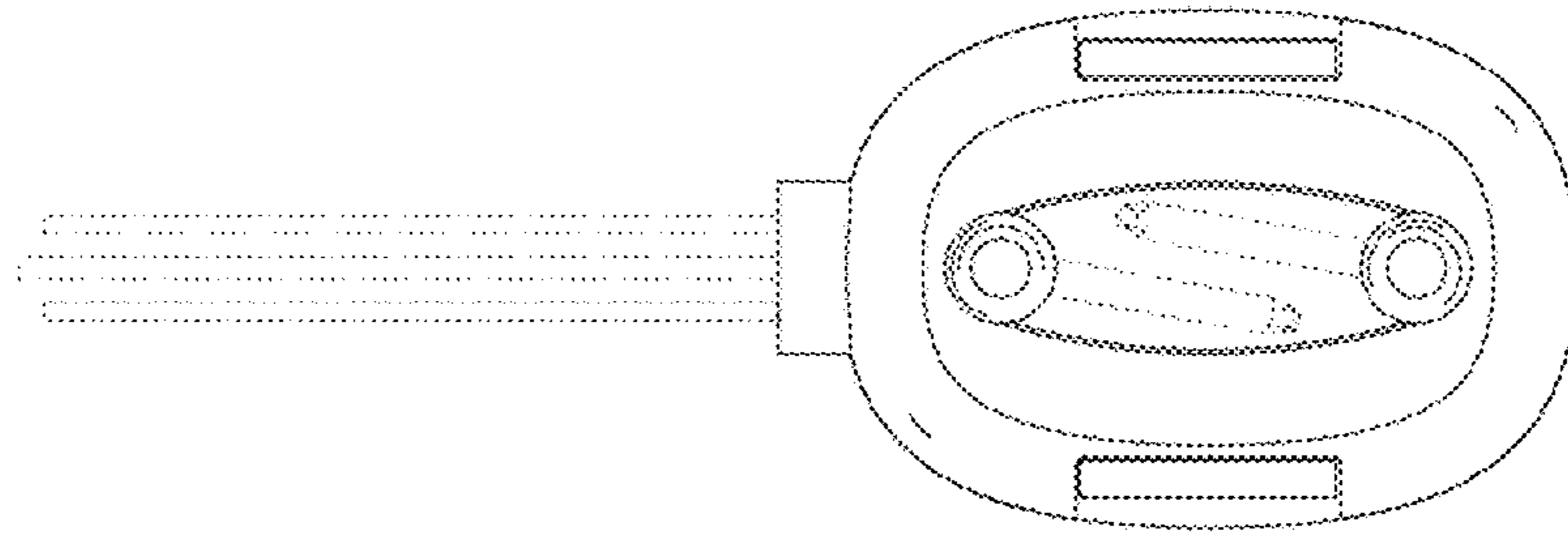


FIG. 7

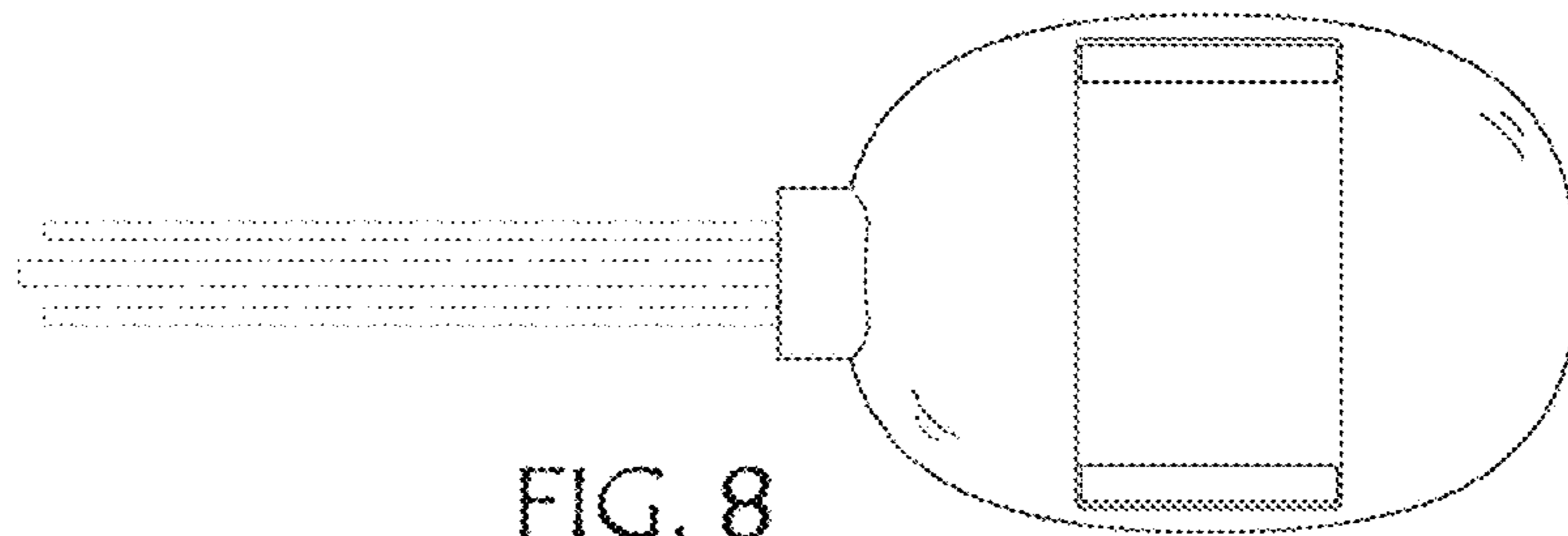


FIG. 8