



US00D842297S

(12) **United States Design Patent**
Pennington, Jr. et al.

(10) **Patent No.:** **US D842,297 S**
(45) **Date of Patent:** **** Mar. 5, 2019**

(54) **COMBINED COMPUTER AND DOCK**

H05K 7/20727; H05K 7/1425; H05K 7/1488; H05K 7/183; H05K 7/14; H05K (Continued)

(71) Applicant: **Hewlett-Packard Development Company, L.P.**, Houston, TX (US)

(56) **References Cited**

(72) Inventors: **John William Pennington, Jr.**, Palo Alto, CA (US); **Daniel Yoon**, Palo Alto, CA (US); **Ivy Tseng**, Palo Alto, CA (US); **Insun Hong**, Houston, TX (US); **Glenn A. Wong**, Redwood City, CA (US); **Kevin L. Massaro**, Houston, TX (US)

U.S. PATENT DOCUMENTS

D351,133 S * 10/1994 Jungels-Butler D13/108
D455,746 S * 4/2002 Ronzani D14/344
(Continued)

(73) Assignee: **Hewlett-Packard Development Company, L.P.**, Houston, TX (US)

OTHER PUBLICATIONS

<https://www.theverge.com/circuitbreaker/2017/6/6/15744586/hp-omen-x-compact-desktop-virtual-reality-backpack-pc>; dated Jun. 6, 2017, 5 pages.

(**) Term: **15 Years**

Primary Examiner — Freda S Nunn

(74) *Attorney, Agent, or Firm* — Morgan Lewis & Bockius

(21) Appl. No.: **29/612,526**

(57) **CLAIM**

The ornamental design for a combined computer and dock, as shown and described.

(22) Filed: **Aug. 1, 2017**

DESCRIPTION

(51) **LOC (11) Cl.** **14-02**

(52) **U.S. Cl.**
USPC **D14/314; D14/434**

(58) **Field of Classification Search**

USPC D14/240, 300, 301, 314, 308, 344, D14/348-356, 364-368, 188; D13/123, D13/158, 162, 184, 199; 312/223.1-223.3, 351.11; 360/99.01-99.12; 369/34.01-36.01; 361/679.31-679.33, 679.37, 679.39, 361/679.46, 679.53, 679.4, 679.41, 727
CPC . G06F 1/20; G06F 1/181; G06F 1/187; G06F 1/183; G06F 1/163; G06F 1/184; G06F 1/1628; G06F 1/1632; G06F 1/16; G06F 1/1654; H05K 7/16; H05K 7/1424; H05K 7/1409; H05K 7/20; H05K 7/20545;

FIG. 1 is a front, right, bottom perspective view of a combined computer and dock in accordance with our new design;
FIG. 2 is a rear, right, top perspective view of the combined computer and dock shown in FIG. 1;
FIG. 3 is a front elevational view of the combined computer and dock shown in FIG. 1;
FIG. 4 is a rear elevational view of the combined computer and dock shown in FIG. 1;
FIG. 5 is a left-side elevational view of the combined computer and dock shown in FIG. 1;
FIG. 6 is a right-side elevational view of the combined computer and dock shown in FIG. 1;
FIG. 7 is a top plan view of the combined computer and dock shown in FIG. 1;
FIG. 8 is a bottom plan view of the combined computer and dock shown in FIG. 1;

(Continued)

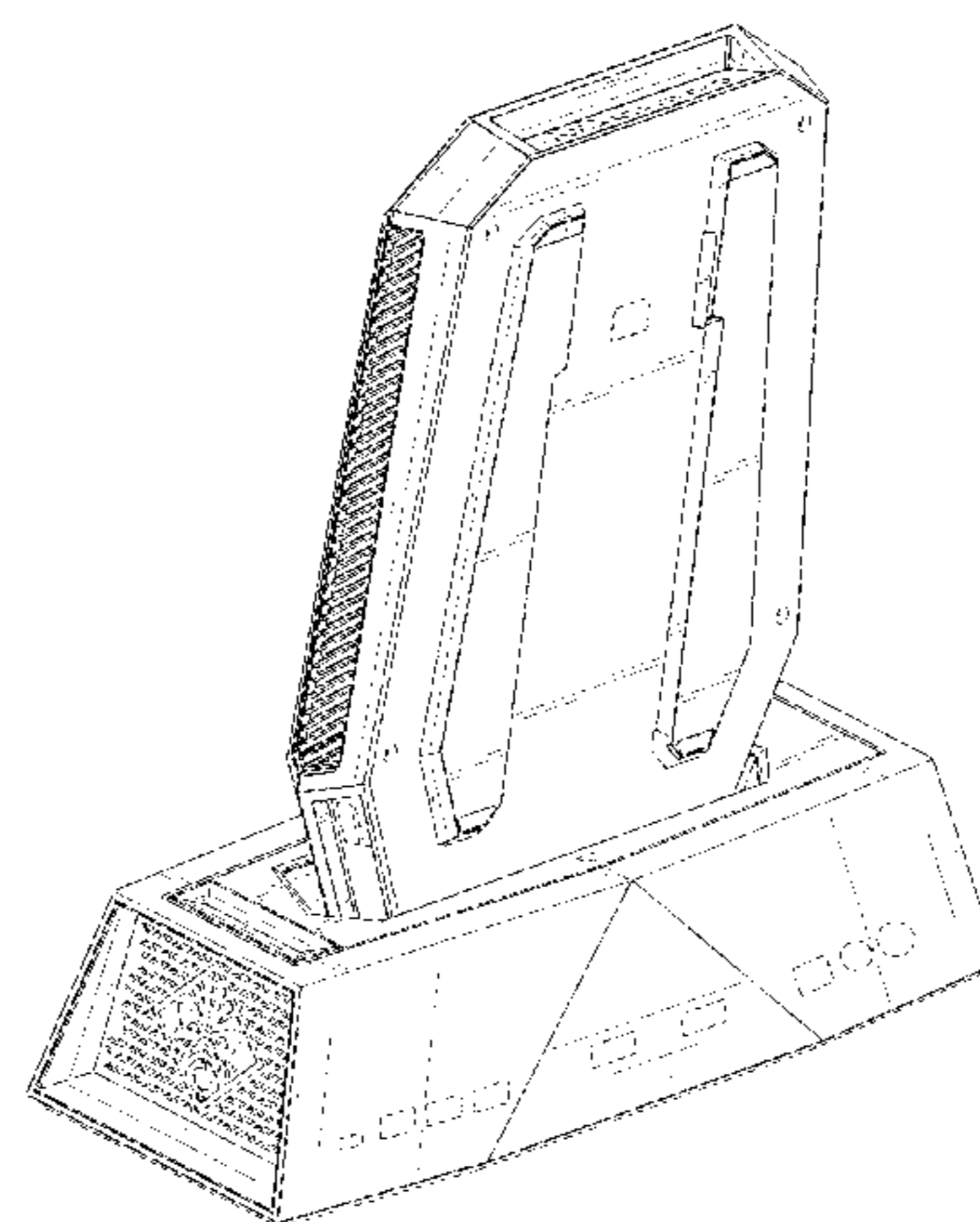
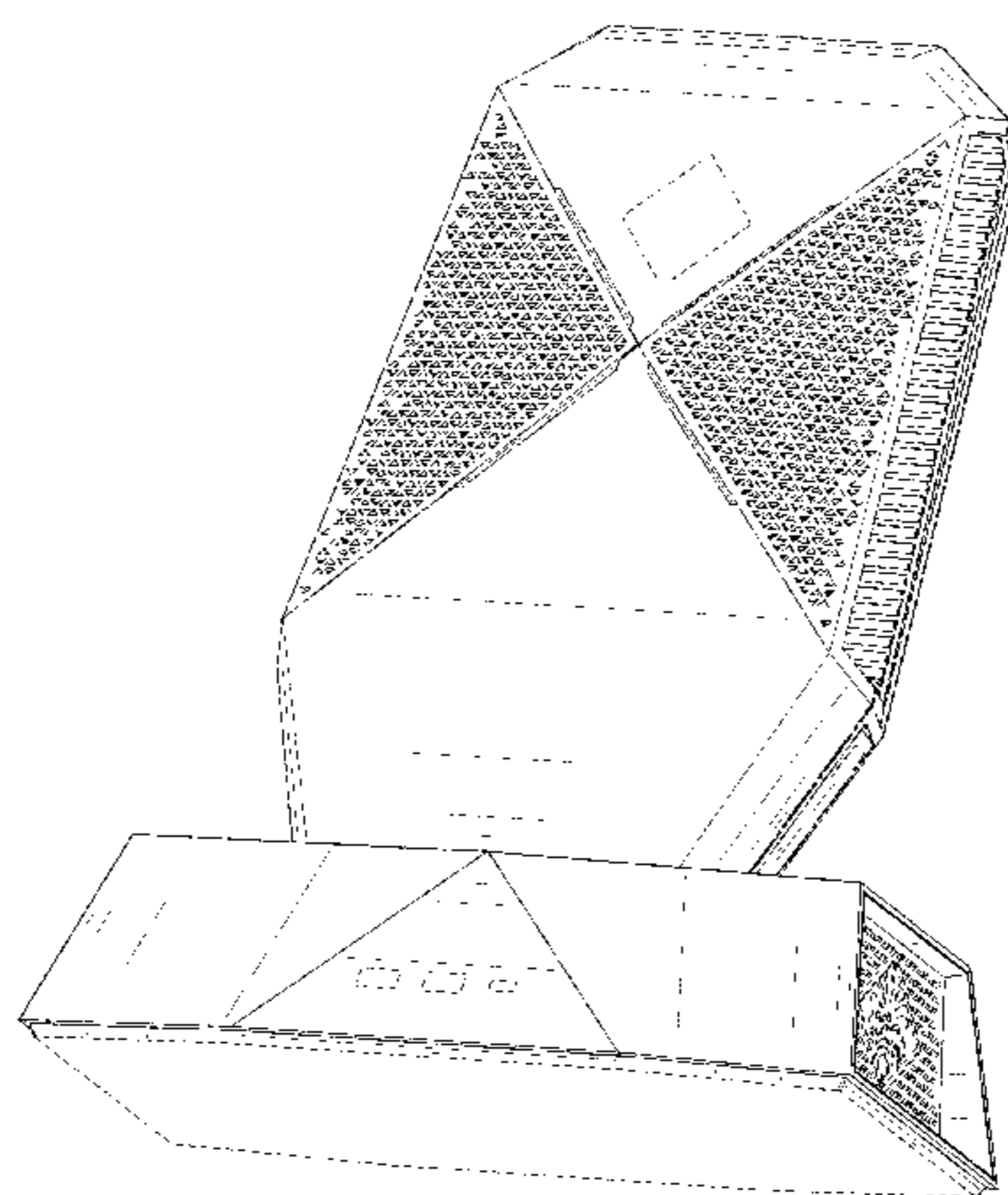


FIG. 9 is a front, left, bottom perspective view of the combined computer and dock shown in FIG. 1; and, FIG. 10 is a rear, left, bottom perspective view of the combined computer and dock shown in FIG. 1. The broken lines shown in the drawings form no part of the claimed design.

1 Claim, 10 Drawing Sheets

(58) **Field of Classification Search**

CPC 5/00; H05K 7/00; H05H 7/20; G11B 33/126; G11B 33/128; G11B 33/08; G11B 33/02; A45C 3/00; A45C 7/00; A45C 9/00; A45C 5/02; B65D 85/00; B65D 69/00; H02J 7/00; H02J 7/02; H02J 7/025; H02J 7/0027; H02J 7/0042; H02J 7/0044; H02J 7/0045; H02J 7/0068; H01R 31/065; H01R 31/6675; H01M 10/44; H01M 2/02; H01M 2/022; H01M 2/0202; F21L 4/08; F21L 4/085; H04M 1/04; F16M 11/10; Y02E 60/12; Y02E 60/122; Y02E 60/124; Y02T 90/14; Y02T 90/122; Y02T 90/128; Y02T 90/163; G09F 21/02

See application file for complete search history.

(56)

References Cited

U.S. PATENT DOCUMENTS

6,529,372	B1 *	3/2003	Ng	G06F 1/163 312/223.2
7,265,970	B2 *	9/2007	Jordan	G09F 21/02 361/679.27
D640,699	S *	6/2011	McParland	D13/107
D667,403	S *	9/2012	Maus	D13/107
D685,323	S *	7/2013	Szymanski	D13/108
8,896,992	B2 *	11/2014	Sherlock	G06F 1/163 361/679.03
2003/0231166	A1 *	12/2003	Langlois	G09F 21/02 345/169
2006/0113203	A1 *	6/2006	Daley	A45C 5/02 206/320
2008/0043416	A1 *	2/2008	Narayan	G06F 1/163 361/679.03
2009/0284908	A1 *	11/2009	Daley, III	G06F 1/1628 361/679.17
2013/0194729	A1 *	8/2013	Joe	G06F 1/1632 361/679.01

* cited by examiner

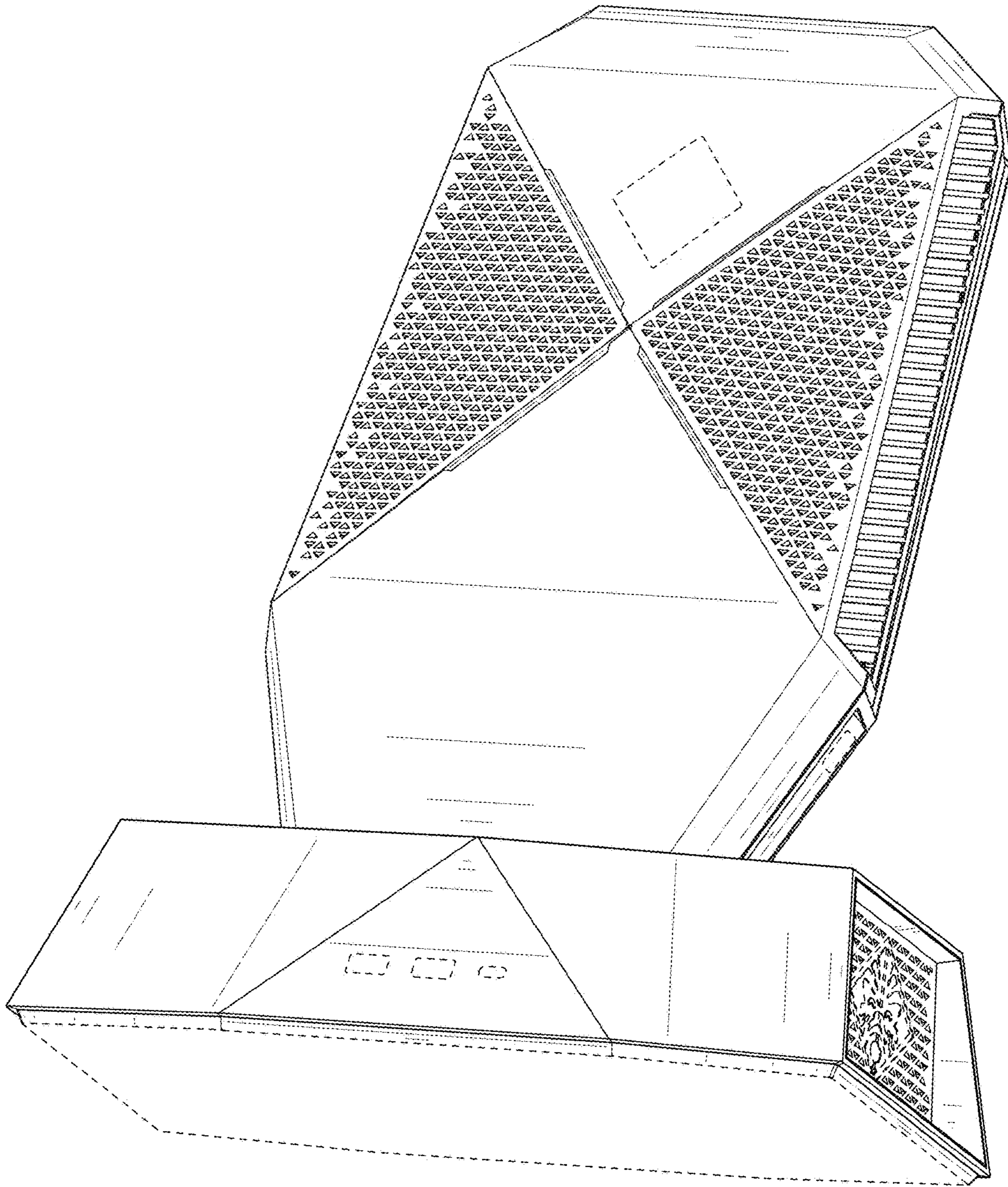


FIG. 1

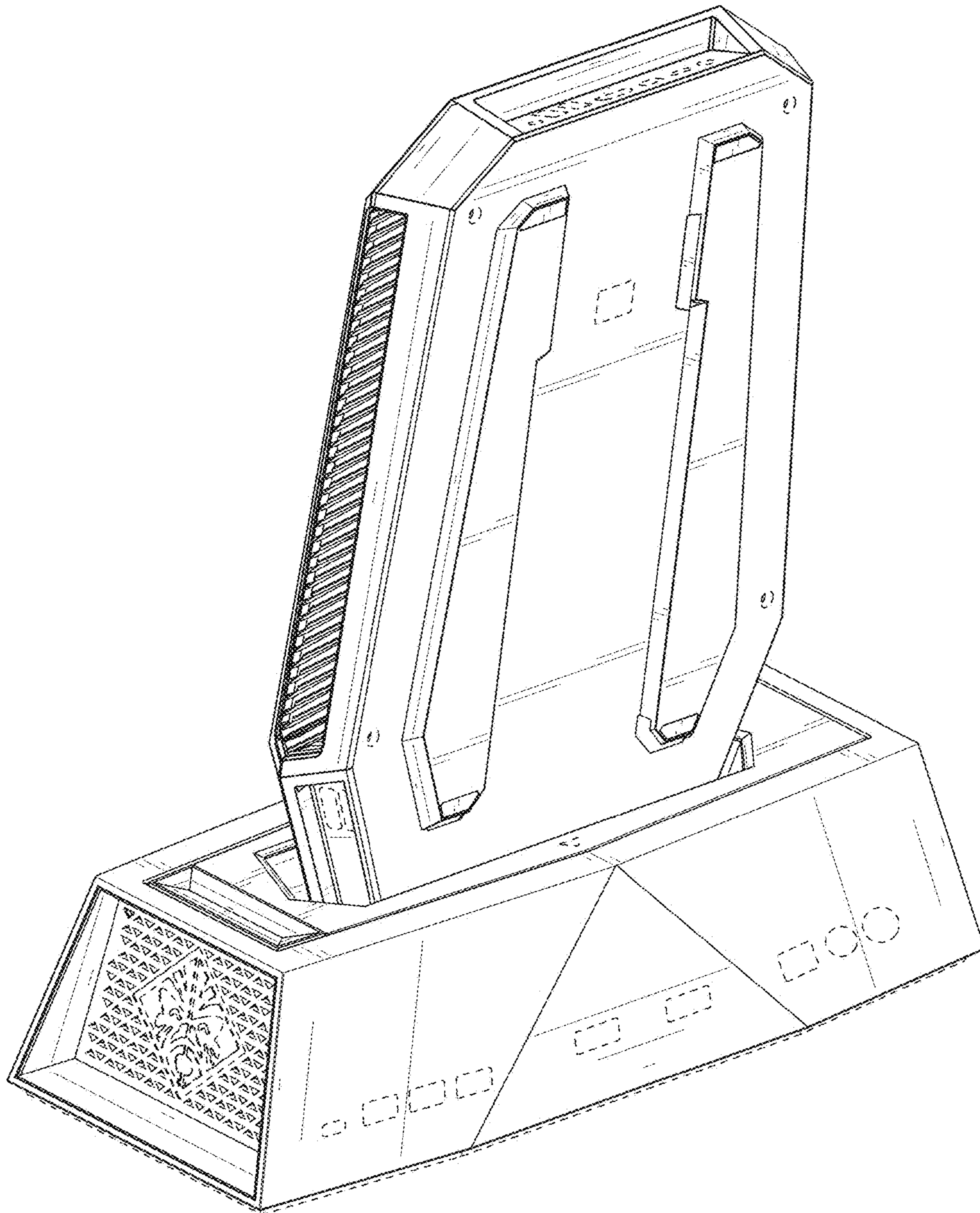


FIG. 2

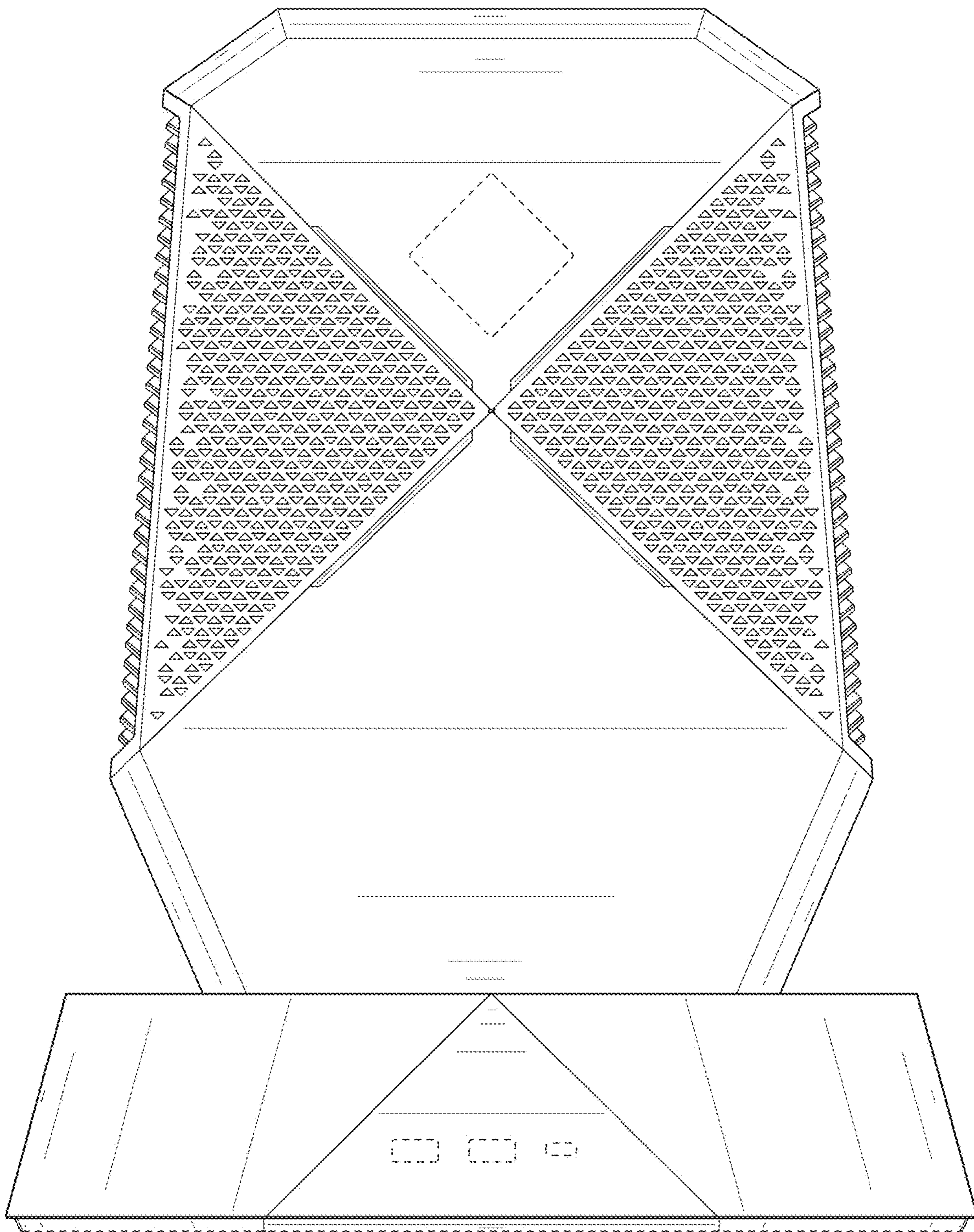


FIG. 3

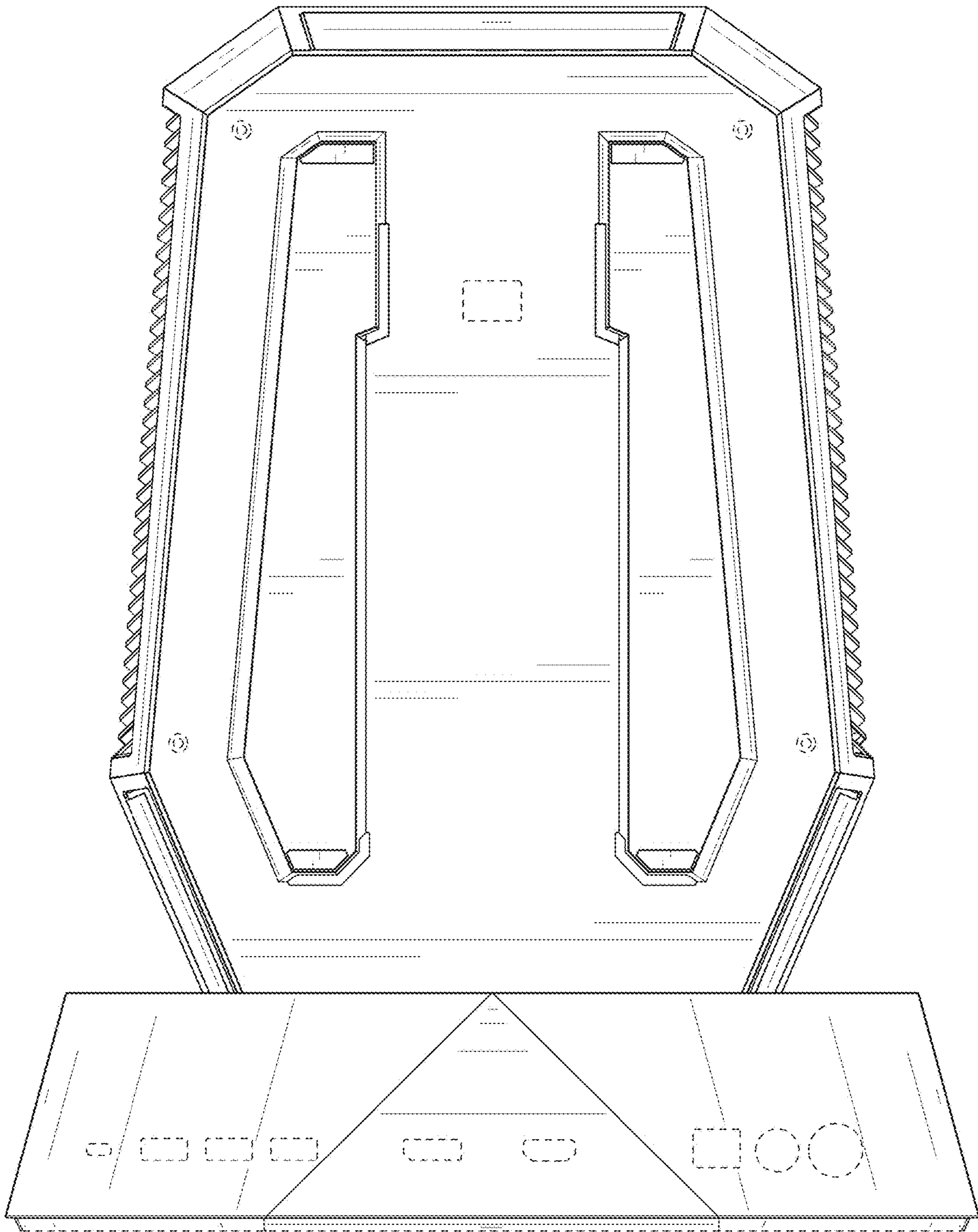


FIG. 4

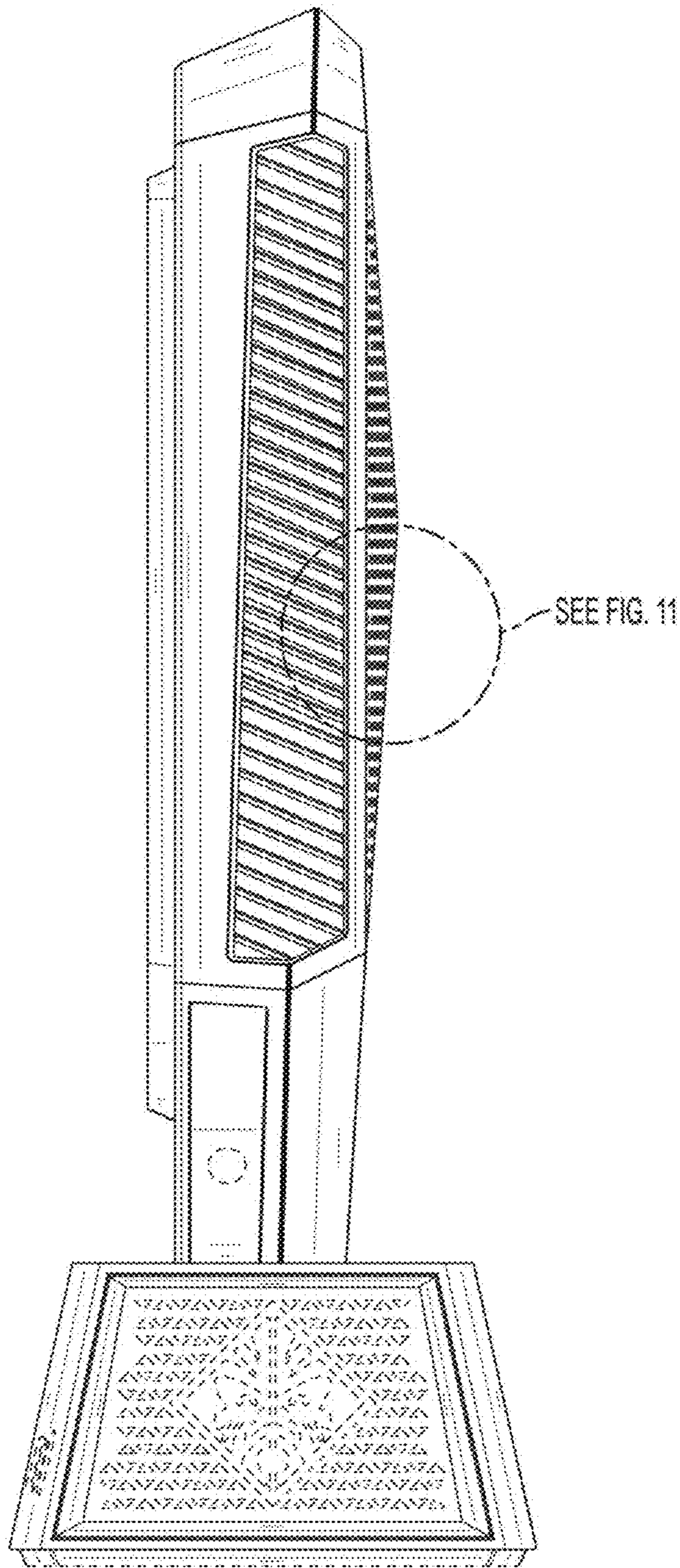


FIG. 5

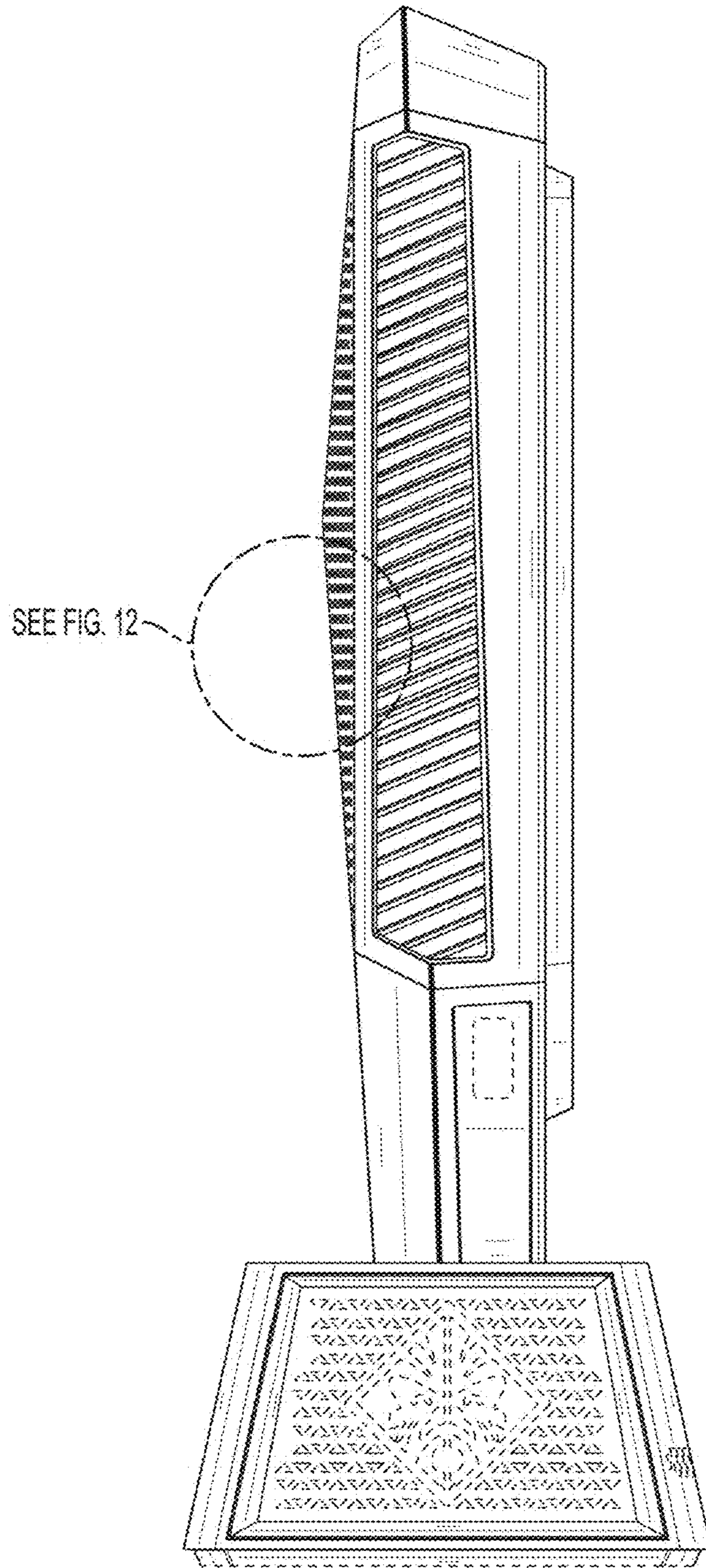


FIG. 6

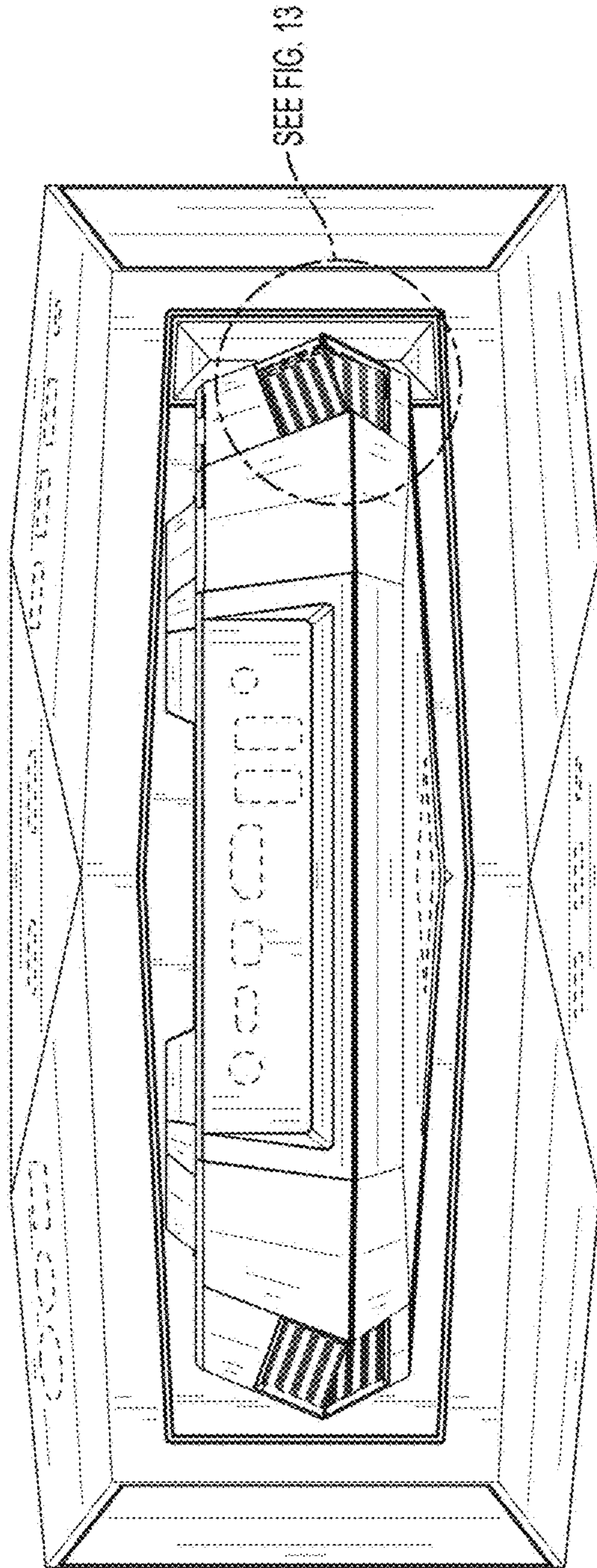


FIG. 7

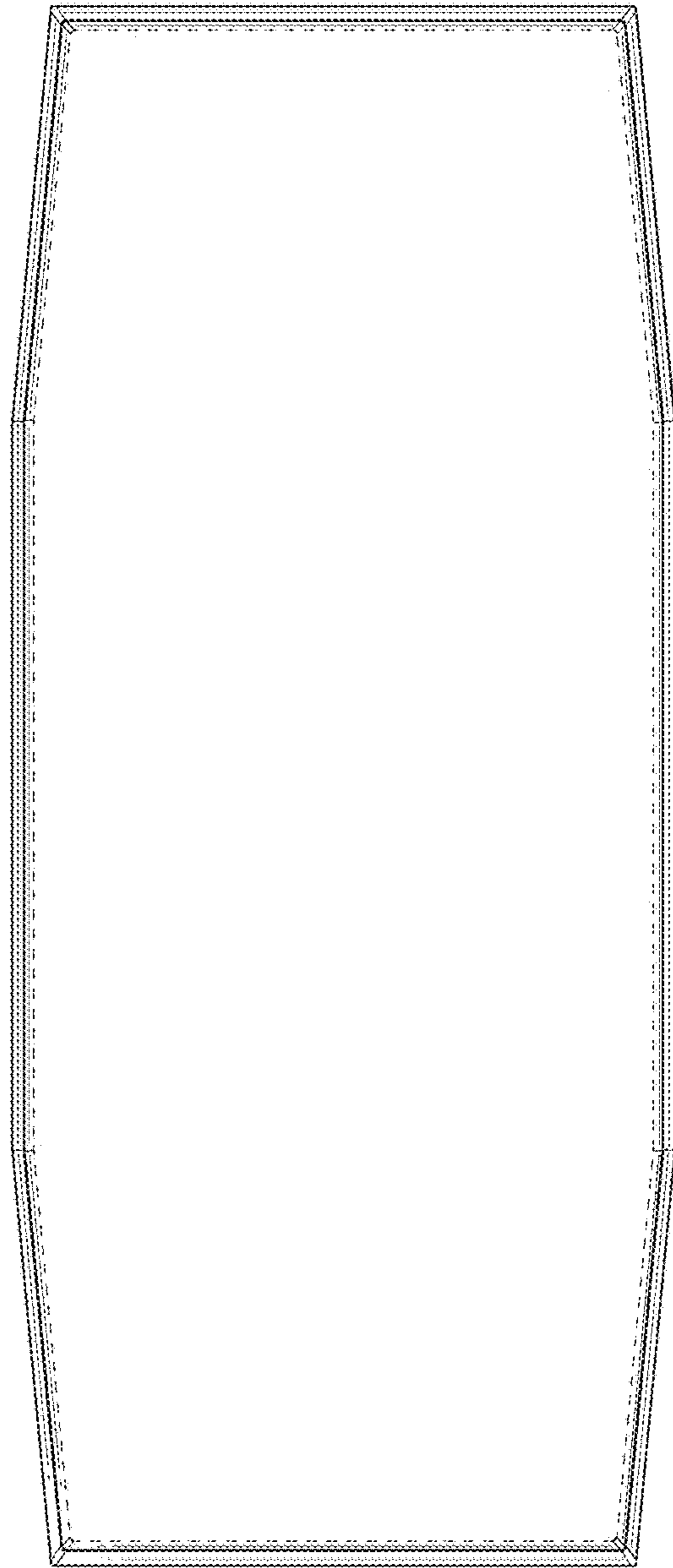


FIG. 8

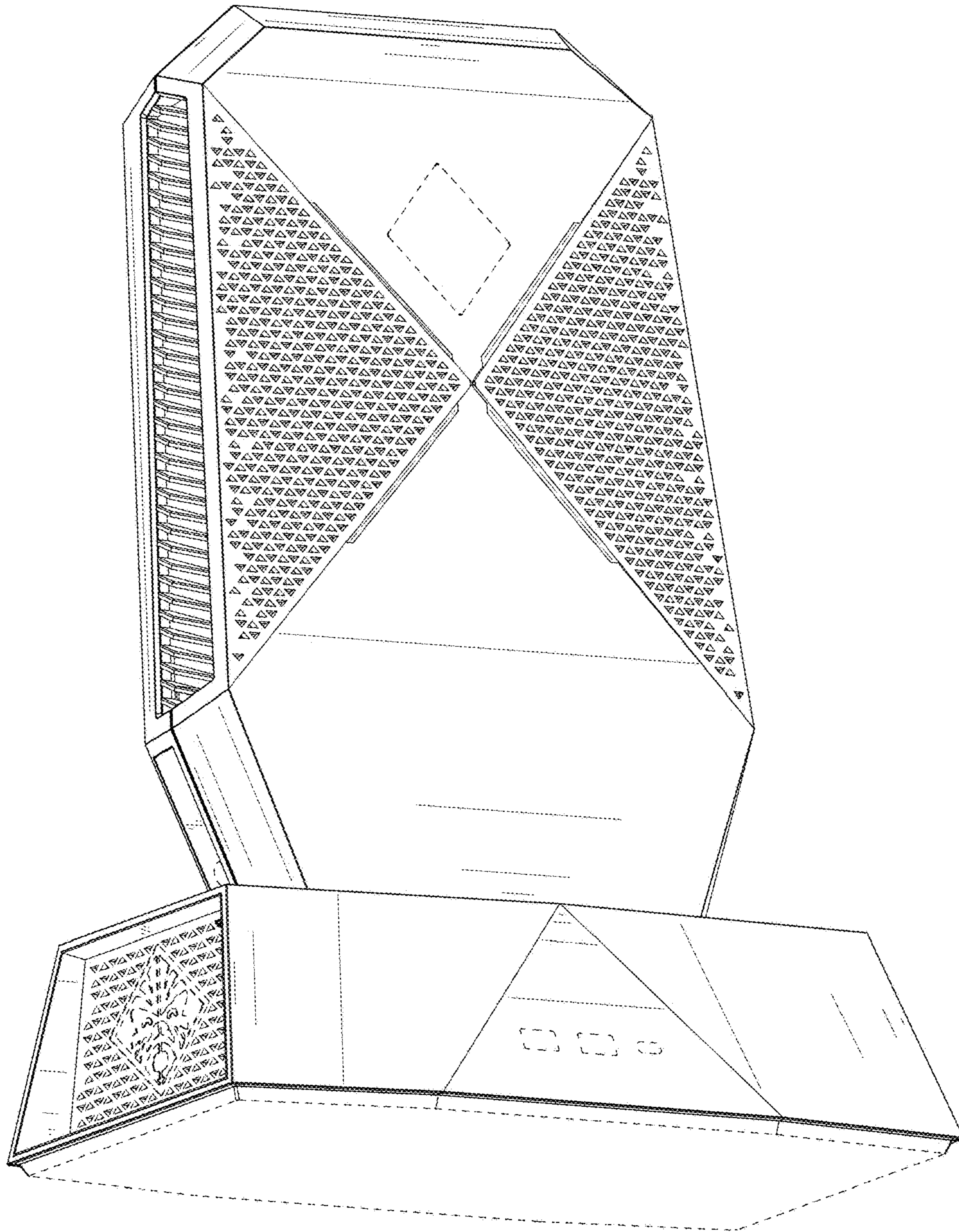


FIG. 9

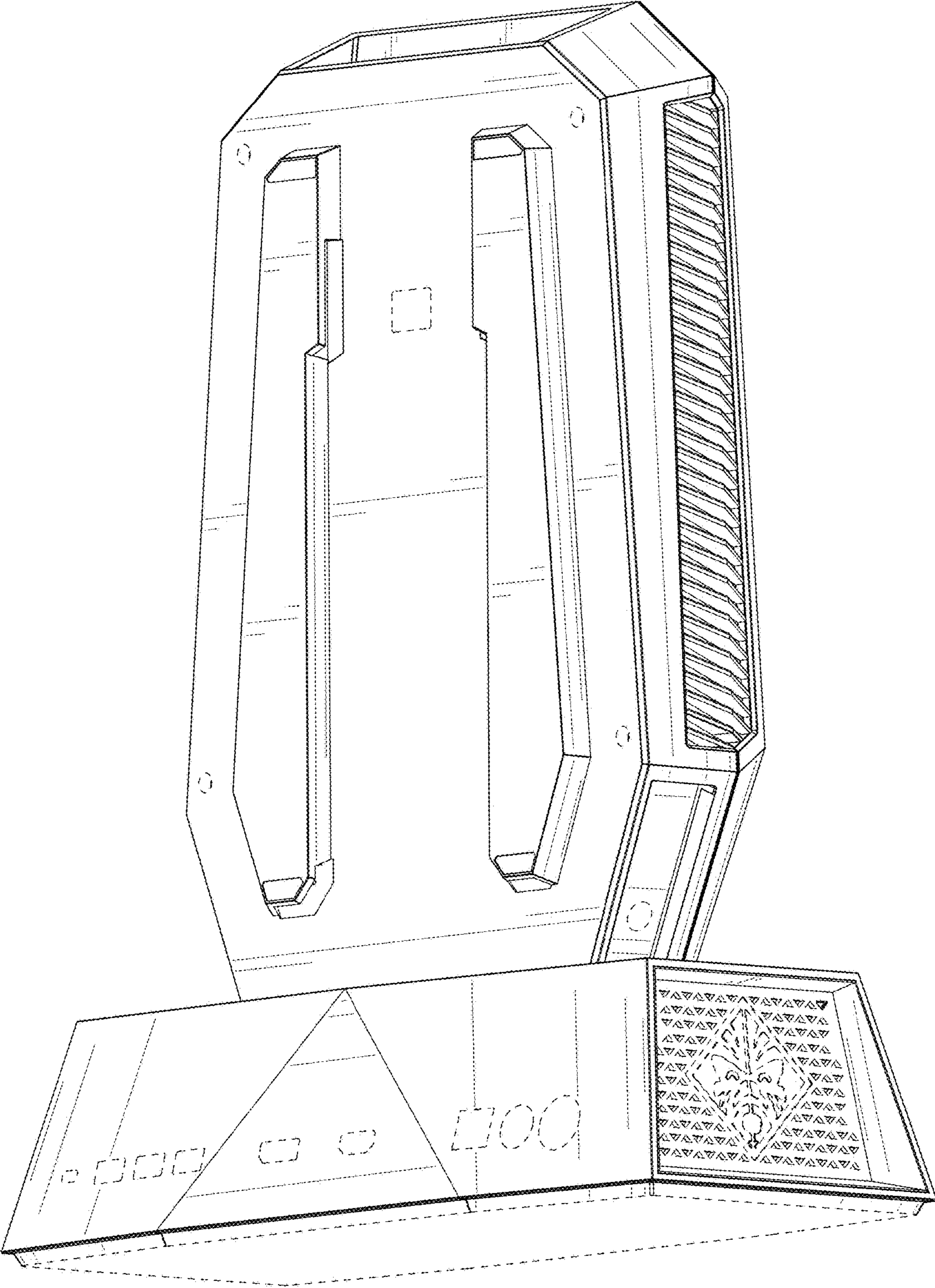


FIG. 10