



US00D842296S

(12) **United States Design Patent**
Oross et al.

(10) **Patent No.:** **US D842,296 S**
(45) **Date of Patent:** **** Mar. 5, 2019**

(54) **ELECTRONIC PAYMENT DEVICE**

CPC G06Q 20/18; G06Q 20/10; G06Q 20/123;
G06Q 20/20; G06Q 30/02; G06Q 30/06;
A47F 9/047

(71) Applicant: **VeriFone, Inc.**, San Jose, CA (US)

See application file for complete search history.

(72) Inventors: **Glen Allen Oross**, San Diego, CA (US); **Casey Gardner Peterson**, Scotts Valley, CA (US); **Anh Tuan Nguyen**, San Mateo, CA (US); **Sean Aaron Missal**, San Francisco, CA (US); **Kyle Nathen Swen**, San Carlos, CA (US); **Kyle George Halkola**, Los Altos, CA (US); **Christopher Earle Woon**, Santa Clara, CA (US)

(56) **References Cited**

U.S. PATENT DOCUMENTS

D669,464	S	*	10/2012	Birgeoglu	D14/307
D687,429	S	*	8/2013	Nelson	D14/307
D712,396	S	*	9/2014	Johnson	D14/307
D713,840	S	*	9/2014	Daniel	D14/307
D782,466	S	*	3/2017	Yepez	D14/307
D806,698	S	*	1/2018	Thompson	D14/307
D808,380	S	*	1/2018	Dillon	D14/307
D829,704	S	*	10/2018	Oross	D14/307
D829,705	S	*	10/2018	Oross	D14/307

(73) Assignee: **VERIFONE, INC.**, San Jose, CA (US)

* cited by examiner

(**) Term: **15 Years**

Primary Examiner — Austin Murphy

(21) Appl. No.: **29/660,681**

(74) *Attorney, Agent, or Firm* — Hunton Andrews Kurth LLP

(22) Filed: **Aug. 22, 2018**

Related U.S. Application Data

(62) Division of application No. 29/632,805, filed on Jan. 10, 2018, now Pat. No. Des. 829,704, which is a division of application No. 29/543,157, filed on Oct. 21, 2015, now Pat. No. Des. 814,559.

(51) **LOC (11) Cl.** **14-02**

(52) **U.S. Cl.**
USPC **D14/307**

(58) **Field of Classification Search**
USPC D14/302-307, 900-902; D13/163;
D20/10; D21/332, 325, 369, 370;
D99/28; D6/397, 466; 194/206;
361/679.01, 679.02, 679.04, 679.21,
361/679.57, 725

(57) **CLAIM**

We claim the ornamental design for an electronic payment device, as shown and described.

DESCRIPTION

FIG. 1 is a top perspective view of an electronic payment device in accordance with the present design mounted on a base;

FIG. 2 is a bottom perspective view thereof;

FIG. 3 is a front view thereof;

FIG. 4 is a bottom view thereof;

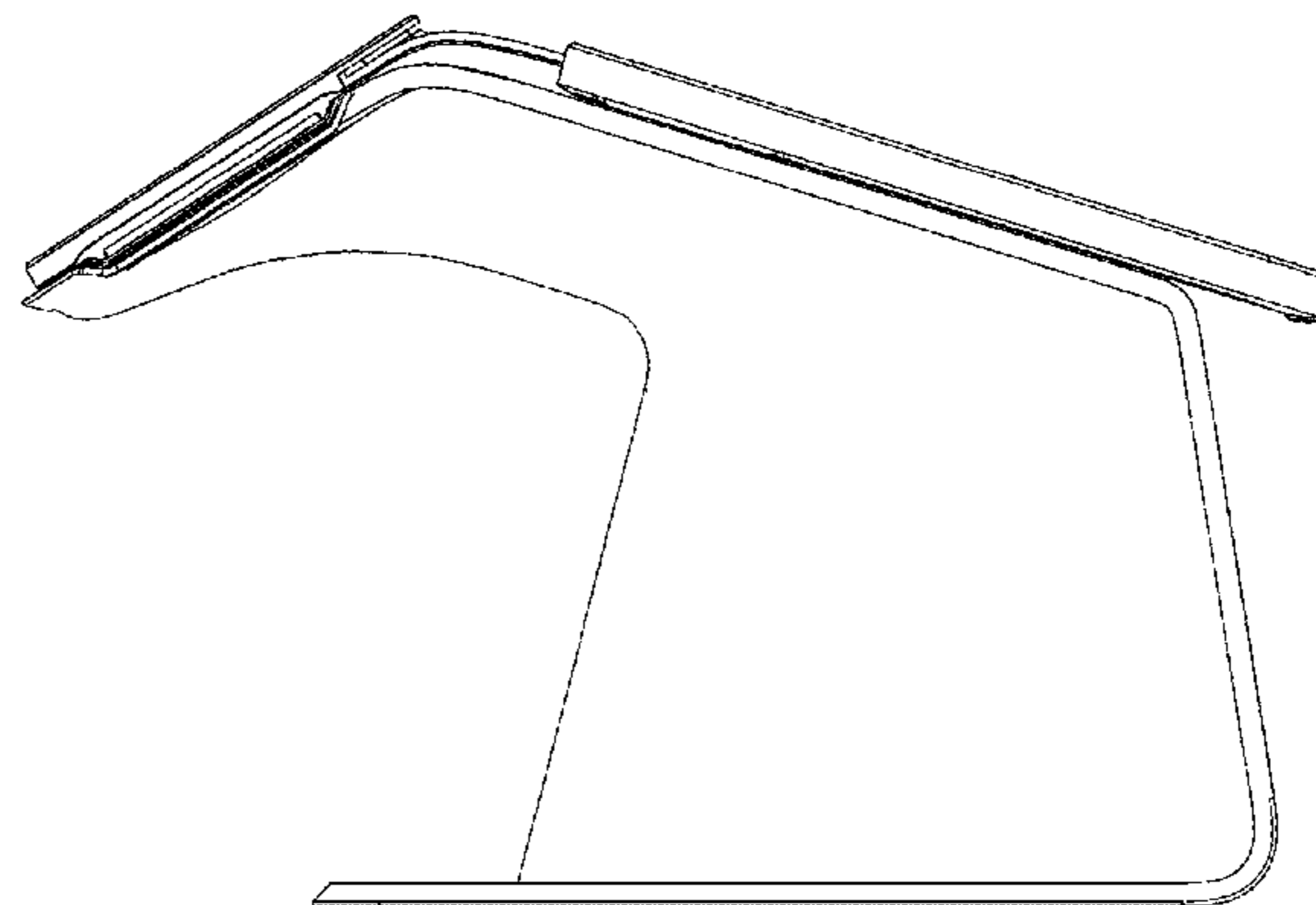
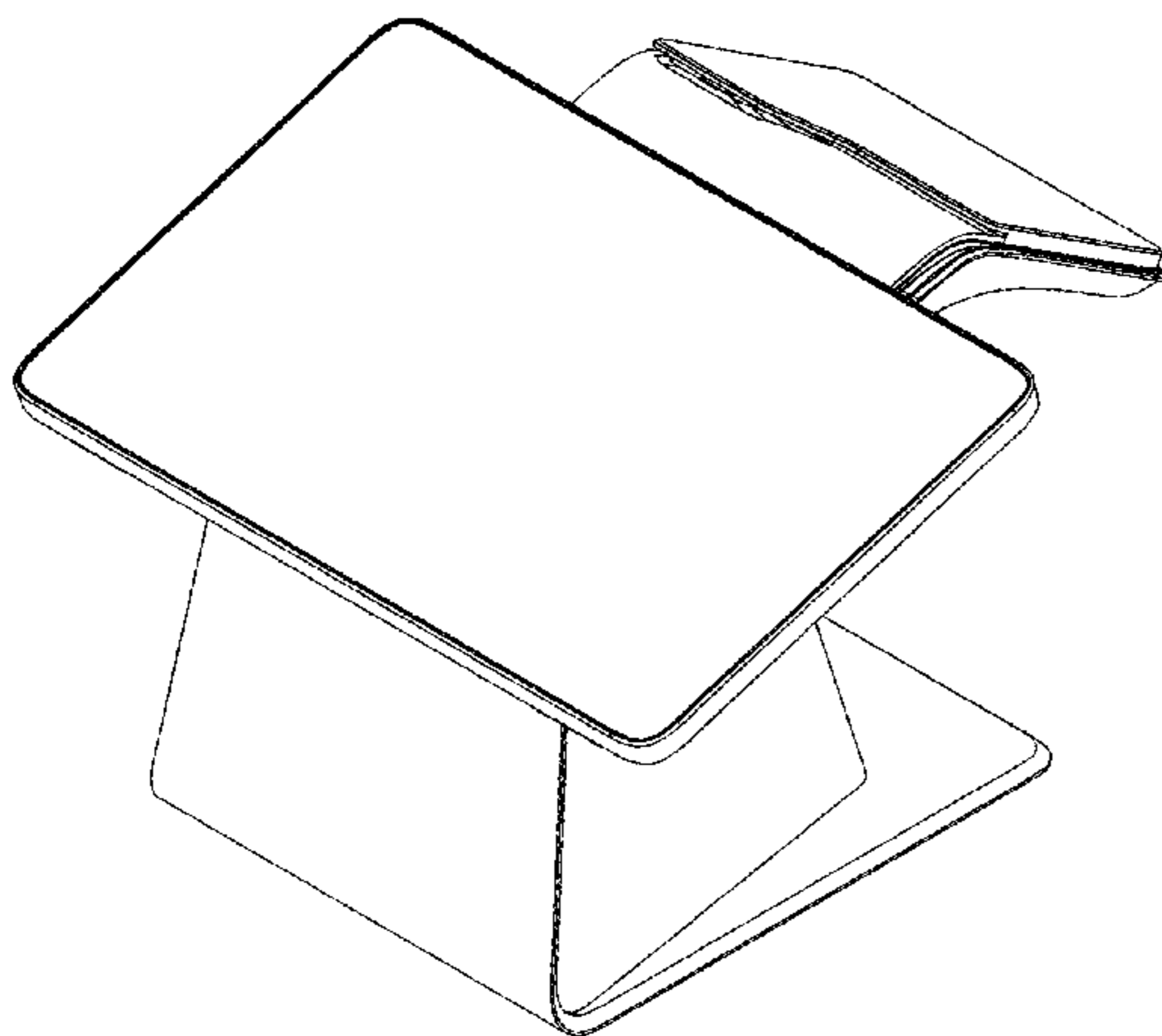
FIG. 5 is a left side view thereof;

FIG. 6 is a right side view thereof;

FIG. 7 is a top view thereof; and,

FIG. 8 is a back view thereof.

1 Claim, 8 Drawing Sheets



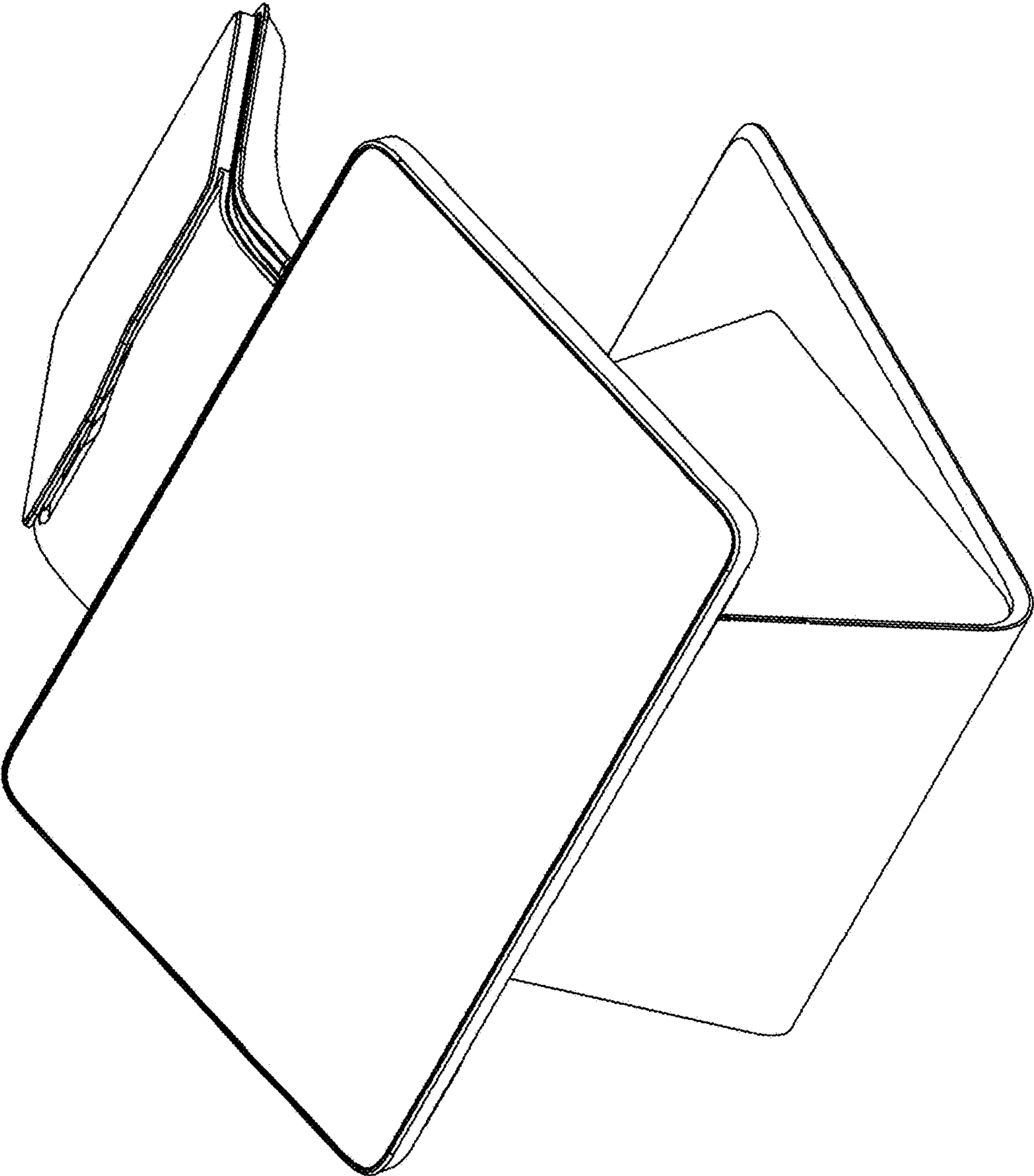


FIG. 1

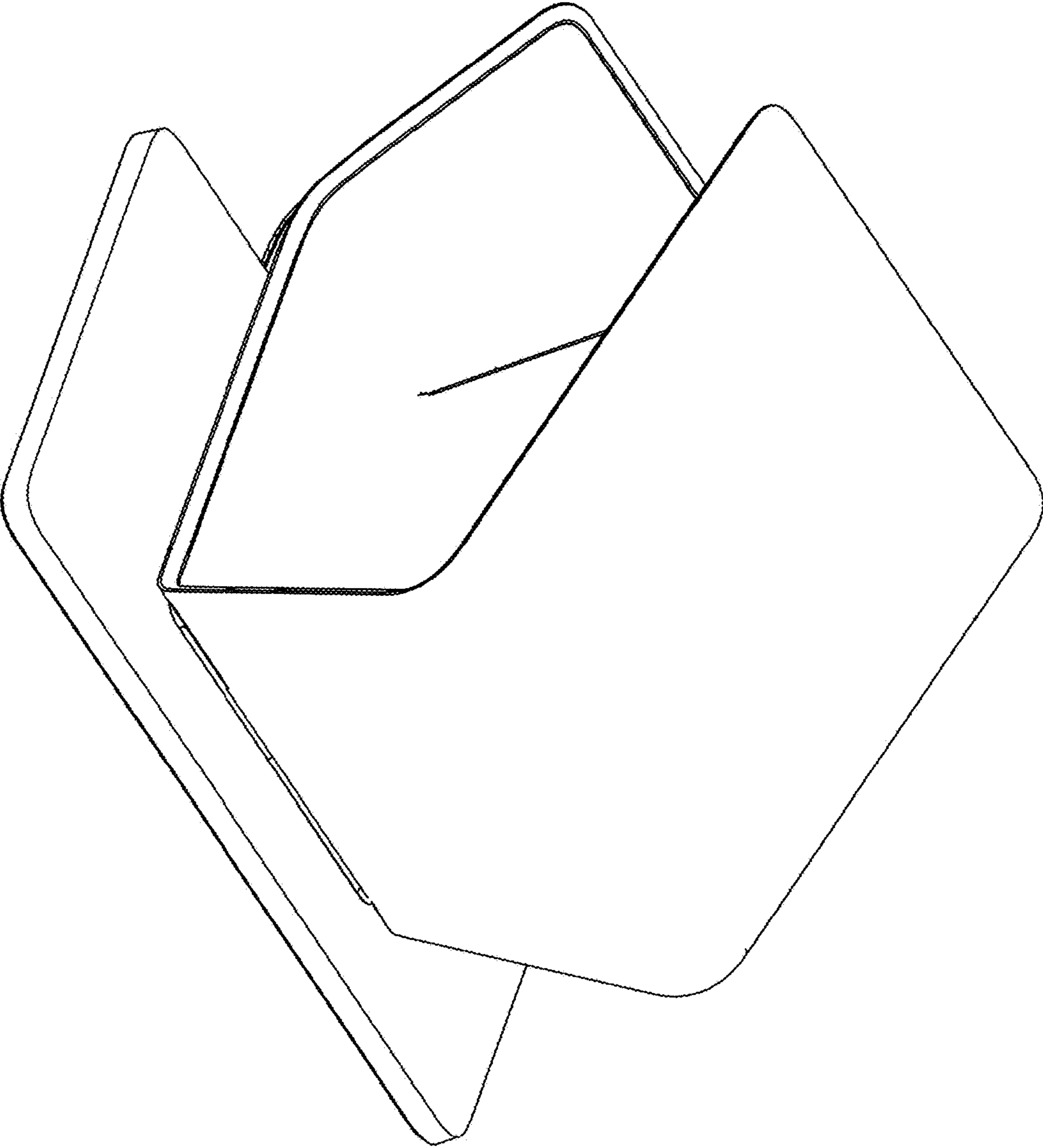


FIG. 2

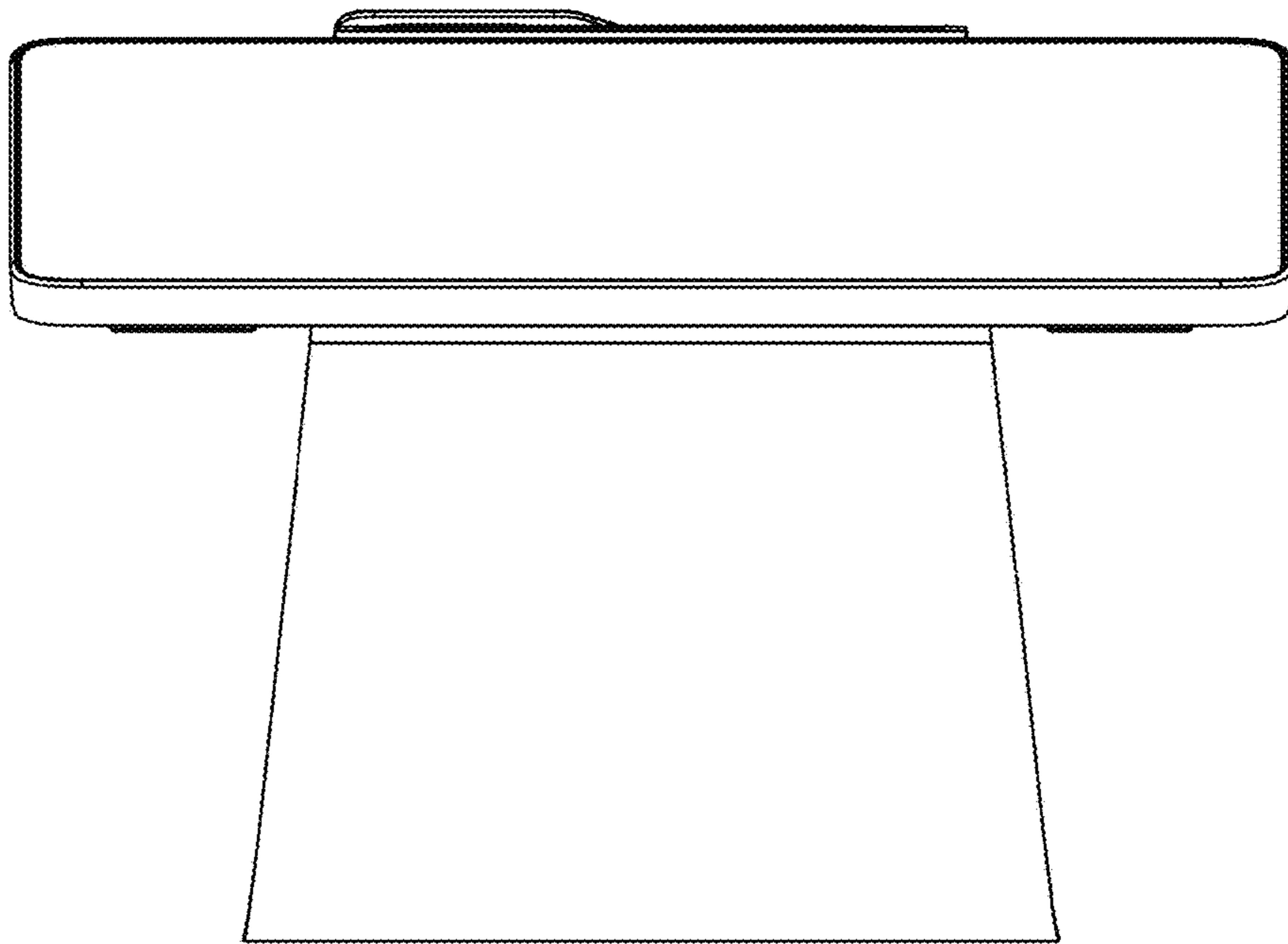


FIG. 3

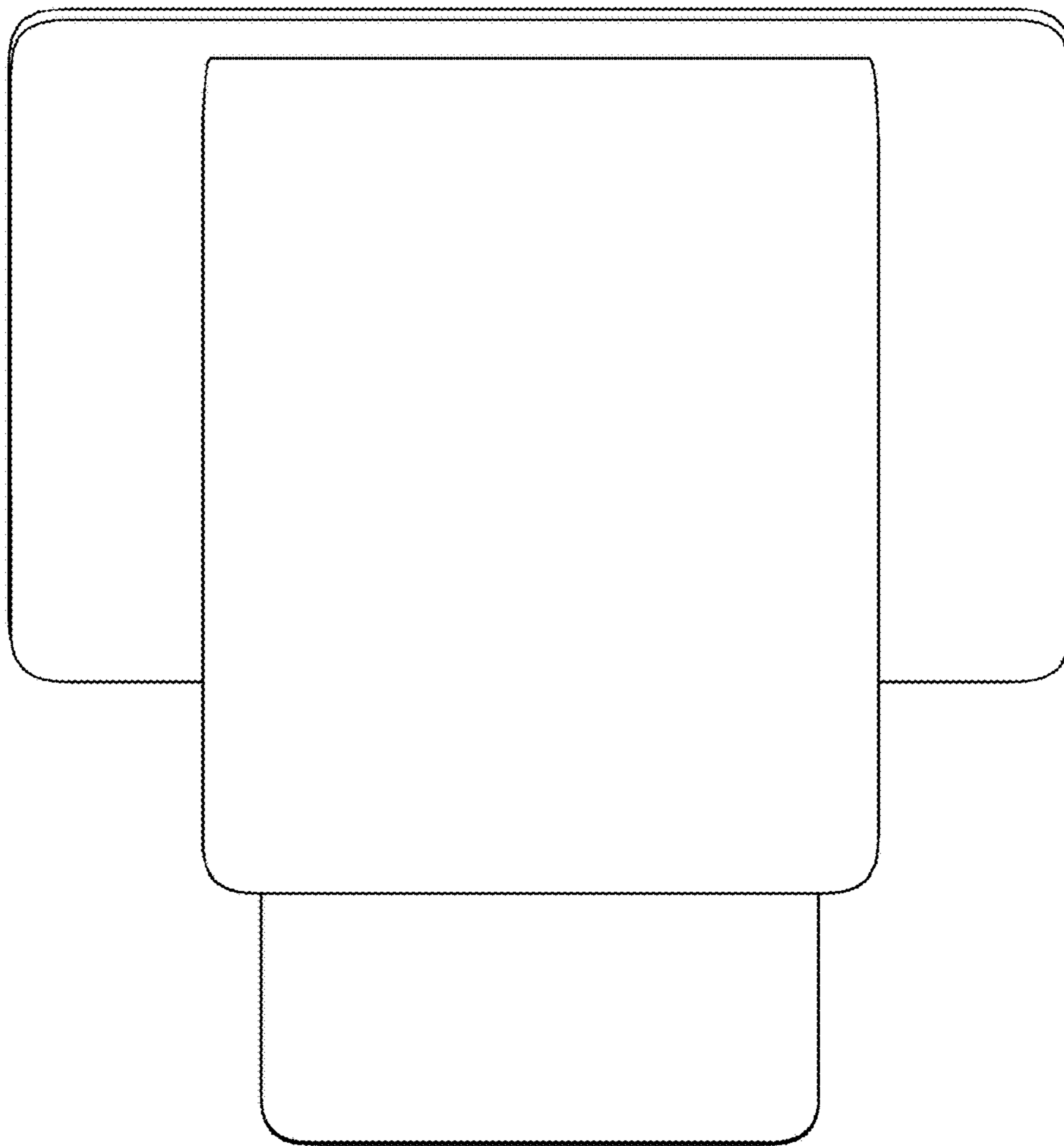


FIG. 4

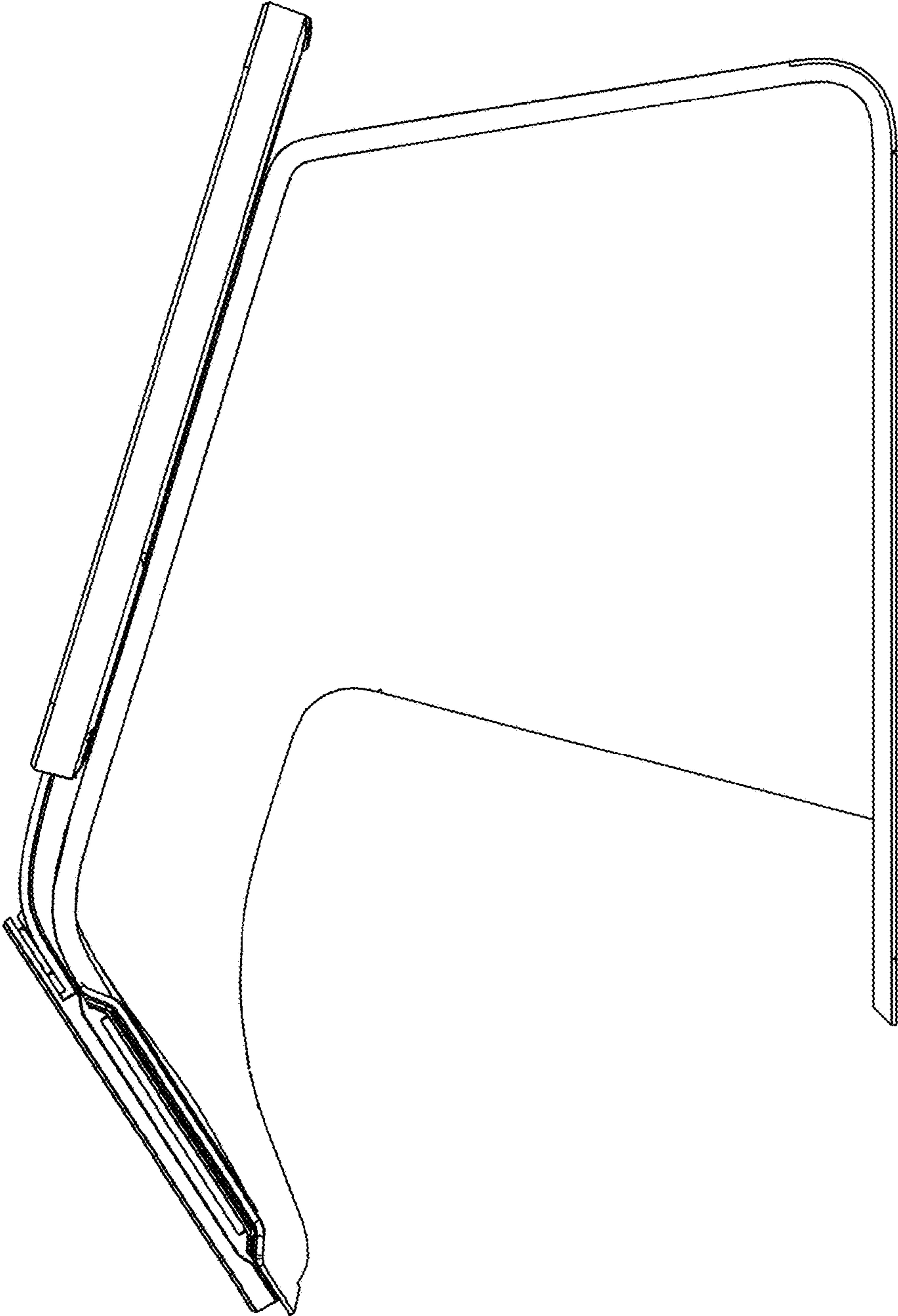


FIG. 5

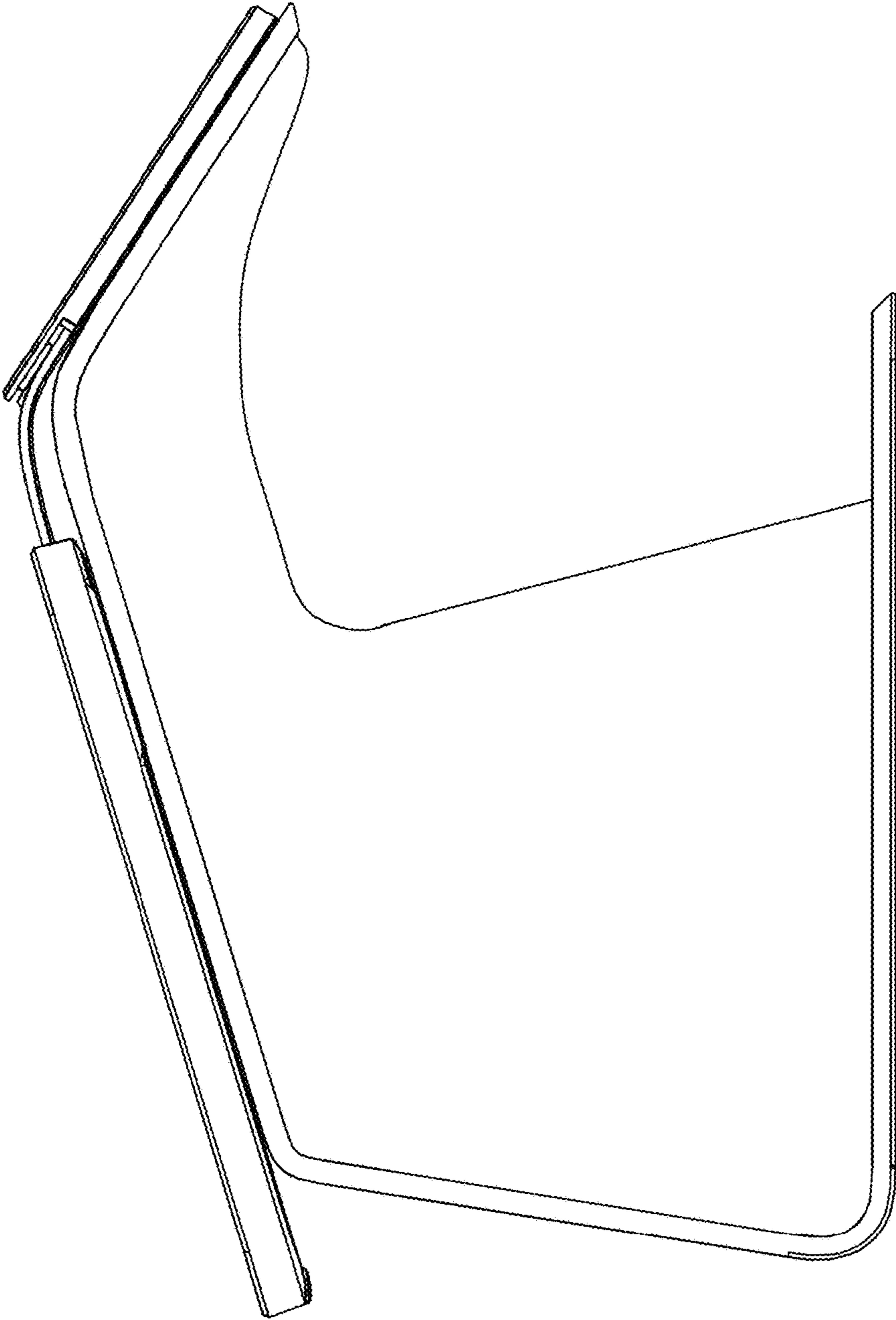


FIG. 6

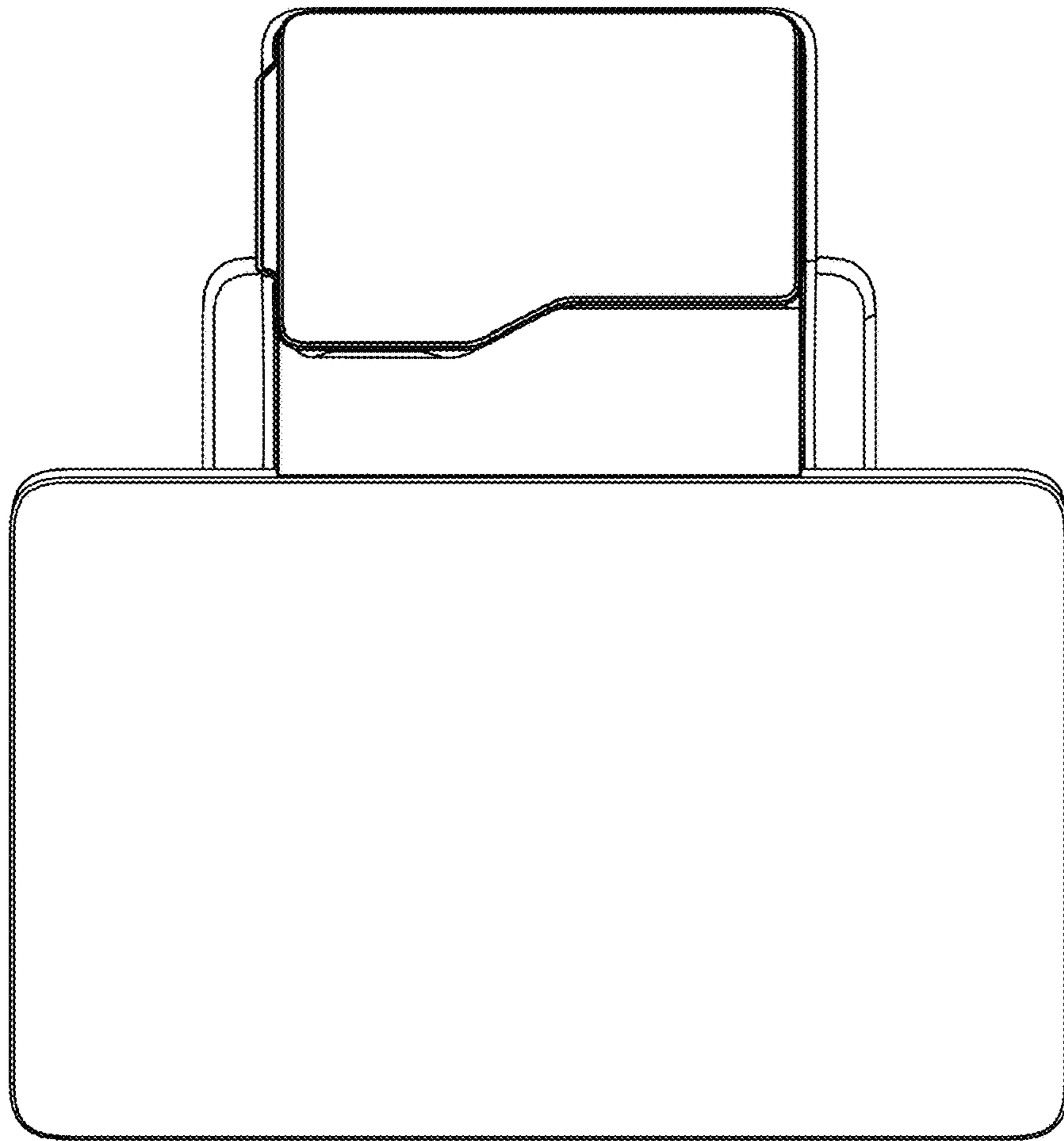


FIG. 7

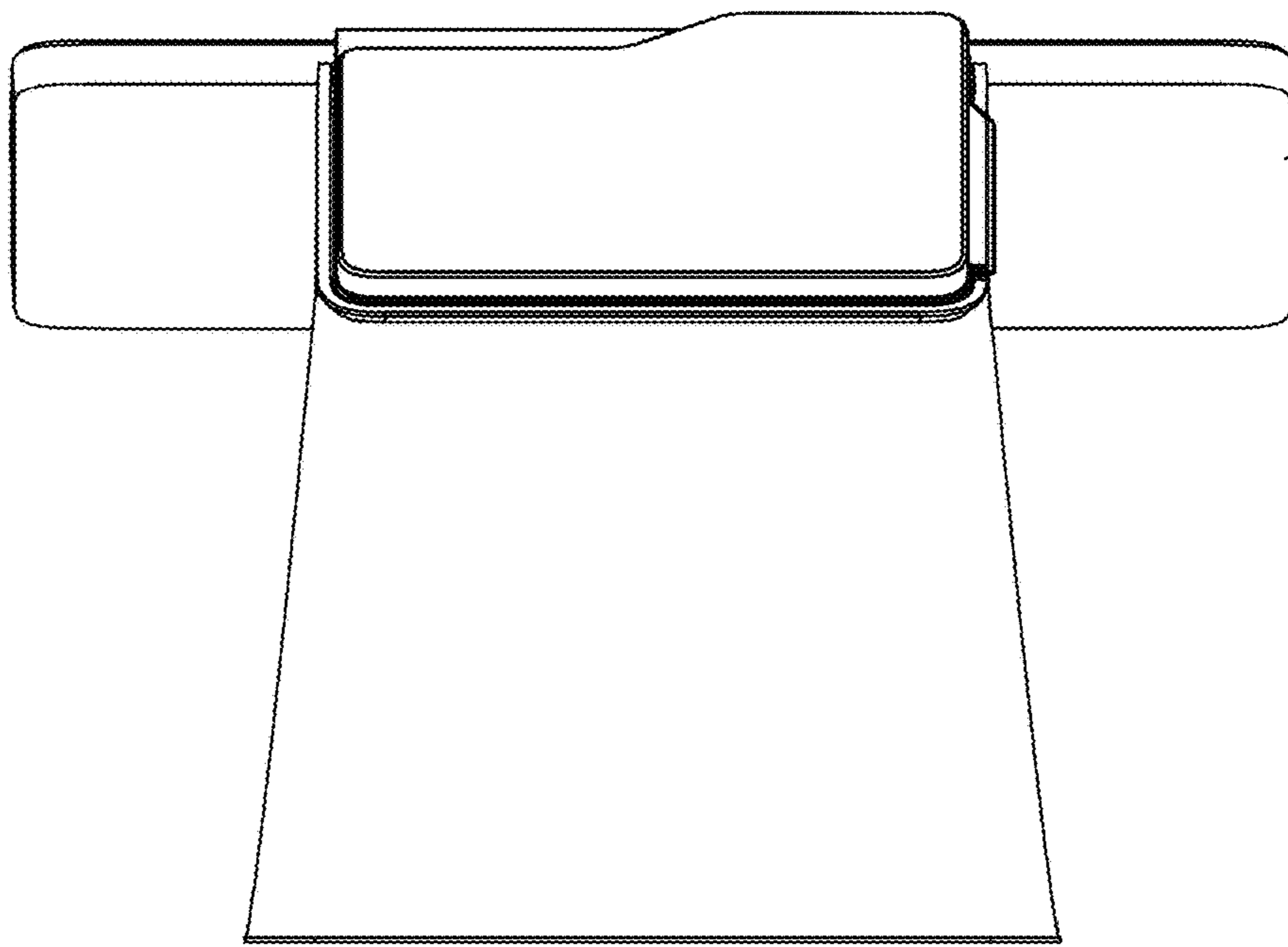


FIG. 8