



US00D842291S

(12) **United States Design Patent**  
**Feng**

(10) **Patent No.:** **US D842,291 S**  
(45) **Date of Patent:** **\*\* Mar. 5, 2019**

(54) **MOBILE PHONE PROTECTIVE CASE**

(71) Applicant: **GUANGZHOU WENYI COMMUNICATION EQUIPMENT CO., LTD.**, Guangzhou (Guangdong Province) (CN)

(72) Inventor: **Youru Feng**, Guangzhou (CN)

(73) Assignee: **GUANGZHOU WENYI COMMUNICATION EQUIPMENT CO., LTD.**, Guangzhou (CN)

(\*\*) Term: **15 Years**

(21) Appl. No.: **29/615,946**

(22) Filed: **Aug. 31, 2017**

(51) **LOC (11) Cl.** ..... **14-03**

(52) **U.S. Cl.**  
USPC ..... **D14/250**

(58) **Field of Classification Search**  
USPC ..... D14/250  
CPC ..... H04B 1/385  
See application file for complete search history.

(56) **References Cited**

**U.S. PATENT DOCUMENTS**

D663,294 S *	7/2012	Buxton	.....	D14/250
D706,254 S *	6/2014	Chang	.....	D14/217
D730,344 S *	5/2015	Hemesath	.....	D14/250
D774,500 S *	12/2016	Reese	.....	D14/250
D776,104 S *	1/2017	Tien	.....	D14/250
D776,646 S *	1/2017	Deng	.....	D14/250
D778,271 S *	2/2017	Stump	.....	D14/250
D789,344 S *	6/2017	Kim	.....	D14/250
D792,875 S *	7/2017	Kim	.....	D14/250
D792,876 S *	7/2017	Kim	.....	D14/250
D795,238 S *	8/2017	Kim	.....	D14/250
D802,576 S *	11/2017	Ahn	.....	D14/250
D803,823 S *	11/2017	Feng	.....	D14/250
D808,373 S *	1/2018	Brown	.....	D14/250

D810,065 S *	2/2018	Tien	.....	D14/250
D810,066 S *	2/2018	Tien	.....	D14/250
D812,601 S *	3/2018	Hemesath	.....	D14/250

(Continued)

**OTHER PUBLICATIONS**

Anti knock Cover for OPPO A83 Case, posted at aliexpress.com, posting date not given, [online], [site visited Sep. 25, 2018]. Available from Internet, URL: <https://www.aliexpress.com/item/Anti-knock-Cover-for-OPPO-A83-Case-Heavy-Duty-Dual-Armor-Kickstand-Phone-Back-Case-for/32859450383.html> (Year: 2018).\*

(Continued)

*Primary Examiner* — George D. Kirschbaum

*Assistant Examiner* — Maria J Edwards

(74) *Attorney, Agent, or Firm* — Yong Chen

(57) **CLAIM**

The ornamental design for a mobile phone protective case, as shown and described.

**DESCRIPTION**

FIG. 1 is a front view of a mobile phone protective case of the present invention.

FIG. 2 is a back view of the mobile phone protective case shown in FIG. 1, when the kickstand of the case as shown is in a closed configuration.

FIG. 3 is a left view thereof.

FIG. 4 is a right view thereof.

FIG. 5 is a top view thereof.

FIG. 6 is a bottom view thereof.

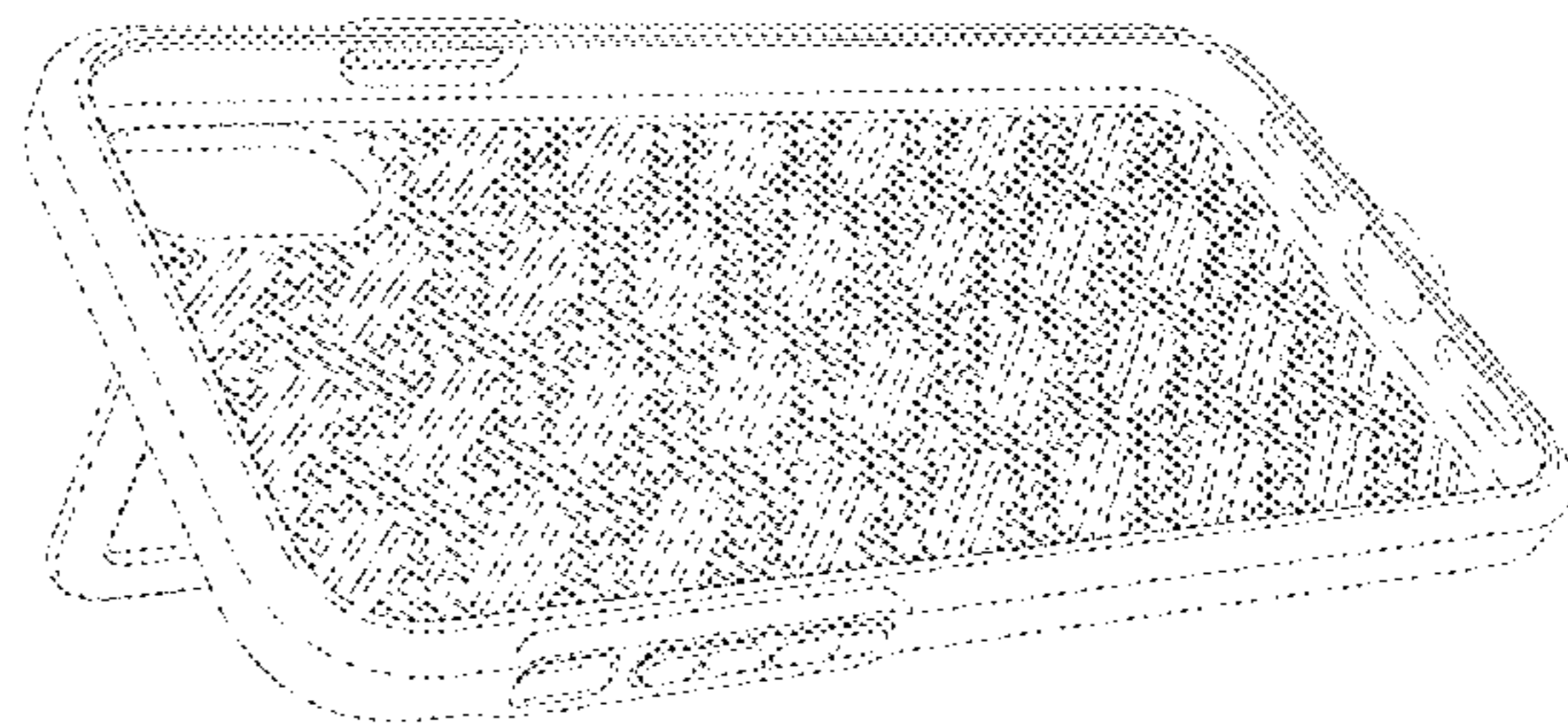
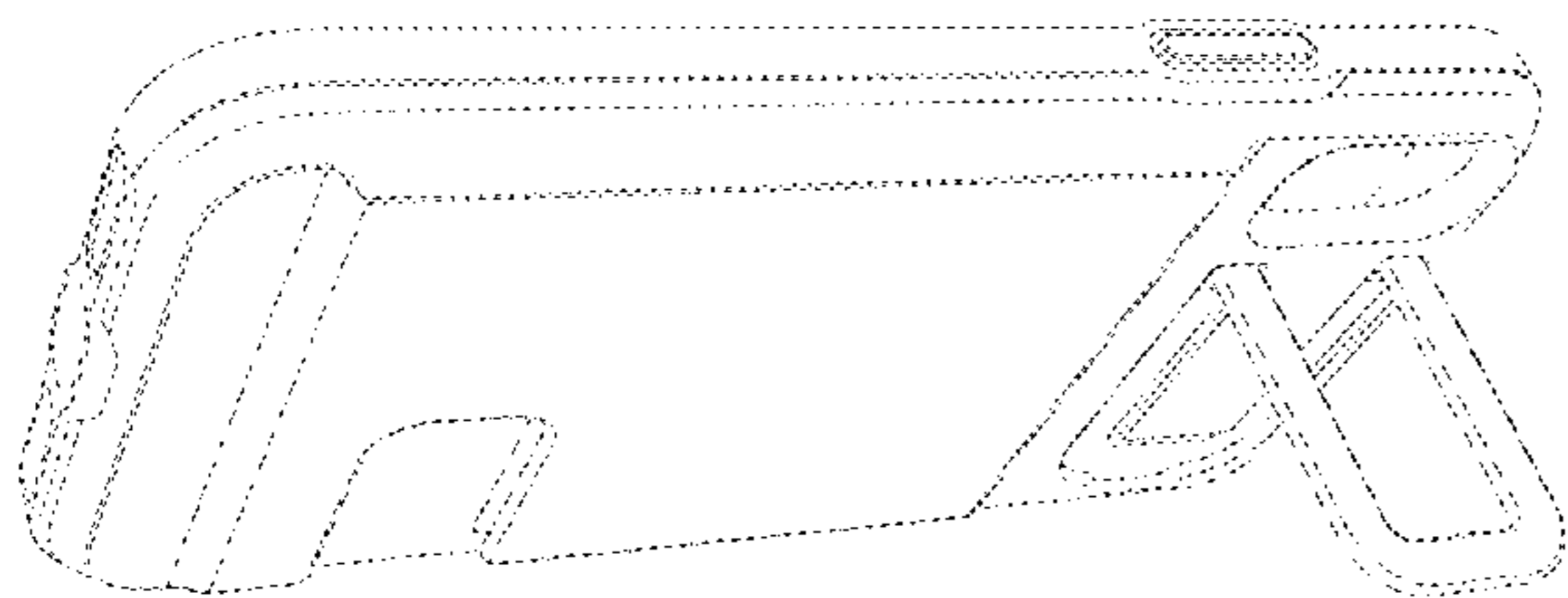
FIG. 7 is a perspective view thereof

FIG. 8 is another perspective view thereof.

FIG. 9 is a perspective view of the mobile phone protective case of the present invention when the kickstand of the case is in an open configuration; and,

FIG. 10 is another perspective view of the mobile phone protective case of the present invention when the kickstand of the case is in an open configuration.

**1 Claim, 9 Drawing Sheets**



(56)

**References Cited**

U.S. PATENT DOCUMENTS

D818,463 S \* 5/2018 Kim ..... D14/250  
2011/0050606 A1 \* 3/2011 Zhang ..... H04M 1/0202  
345/173  
2016/0101902 A1 \* 4/2016 Kim ..... F16M 11/00  
206/45.23  
2016/0113368 A1 \* 4/2016 Tu ..... H04B 1/3888  
206/45.23

OTHER PUBLICATIONS

Black kickstand case cover, posted at newegg.com, posting date not given, [online], [site visited Sep. 25, 2018]. Available from Internet, URL: <https://www.newegg.com/Product/Product.aspx?Item=9SIABES5K36013> (Year: 2018).\*

iPhone 7 Kickstand Case Esquire Series, posted at incipio.com, posting date not given, [online], [site visited Sep. 25, 2018]. Available from Internet, URL: <https://www.incipio.com/cases/iphone-cases/iphone-7-cases/esquire-series-iphone-7-kickstand-case.html> (Year: 2018).\*

Ivymax Hybrid 3 in 1 cover with Kickstand, posted at alibaba.com, posting date not given, [online], [site visited Sep. 25, 2018]. Available from Internet, URL: [https://www.alibaba.com/product-detail/IVYMAX-Hybrid-3-in1-Heavy-Duty\\_60666276153.html](https://www.alibaba.com/product-detail/IVYMAX-Hybrid-3-in1-Heavy-Duty_60666276153.html) (Year: 2018).\*

\* cited by examiner

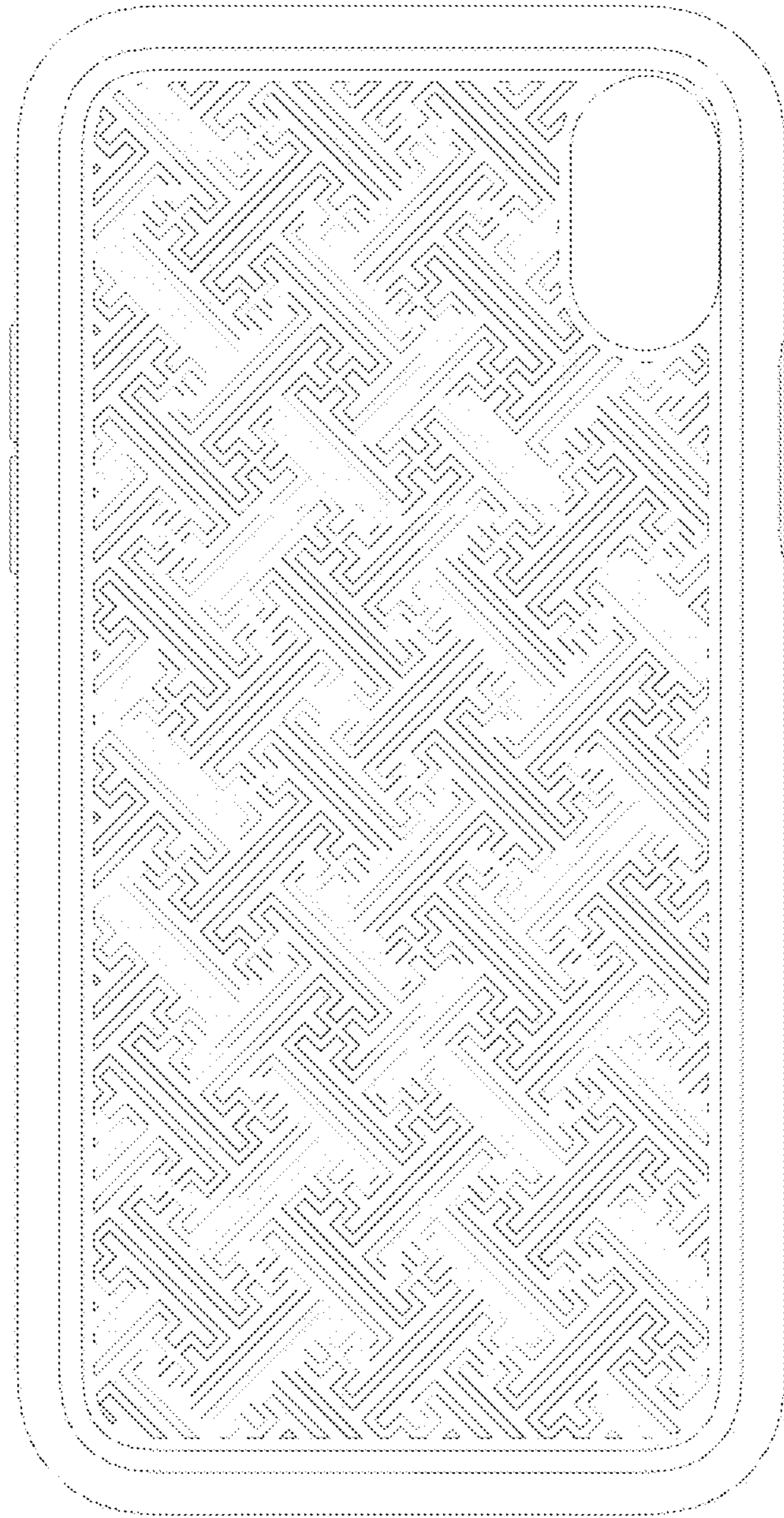


FIG. 1

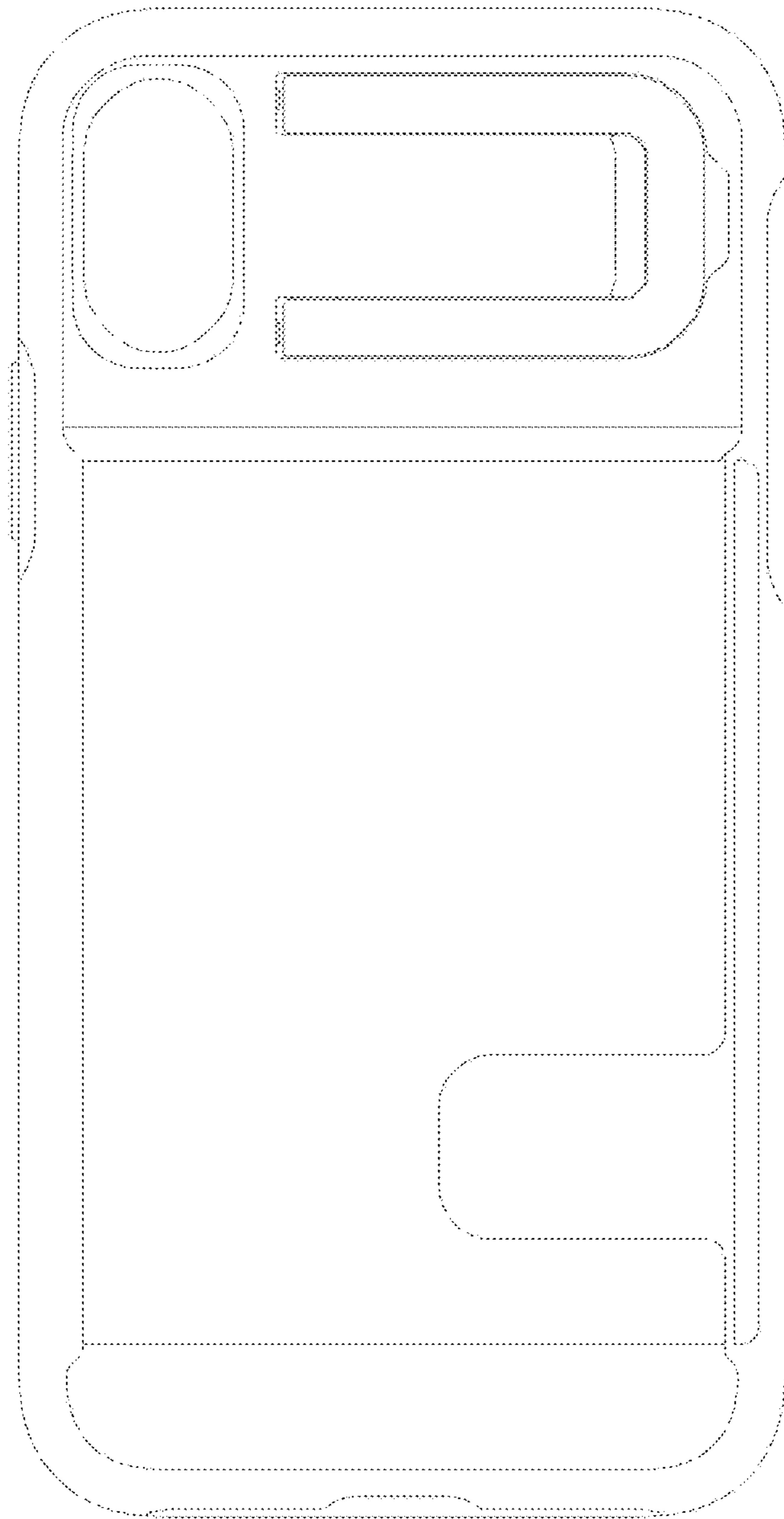


FIG. 2

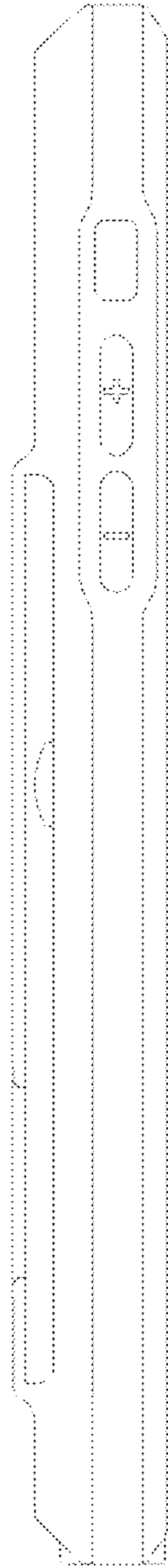


FIG. 3

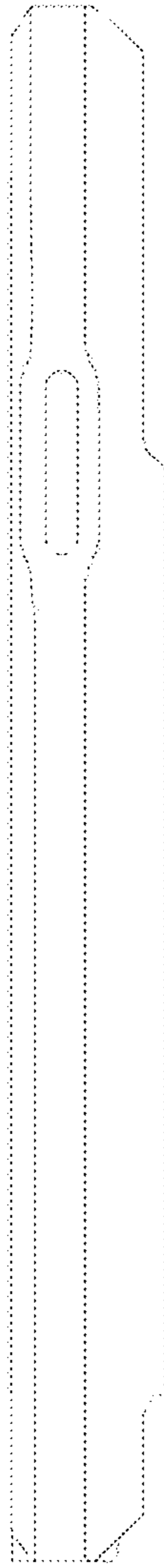


FIG. 4

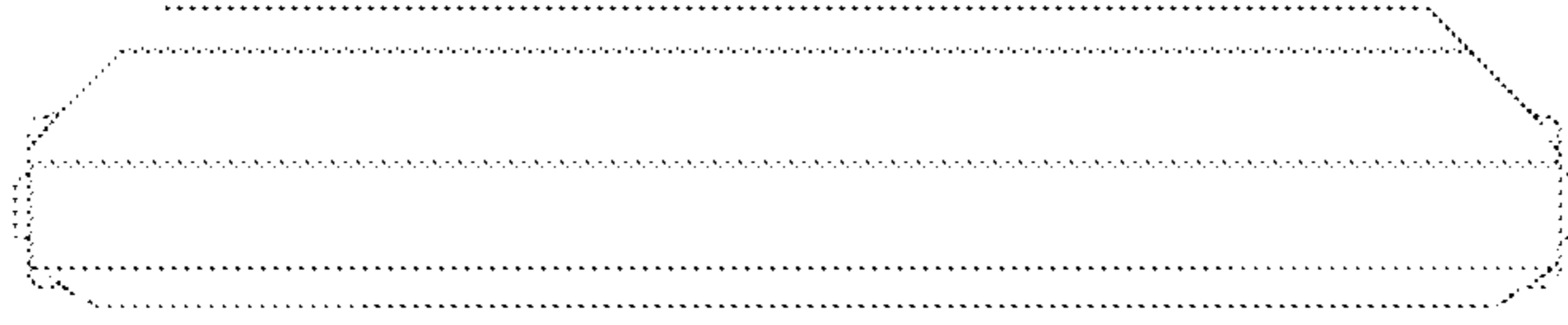


FIG. 5

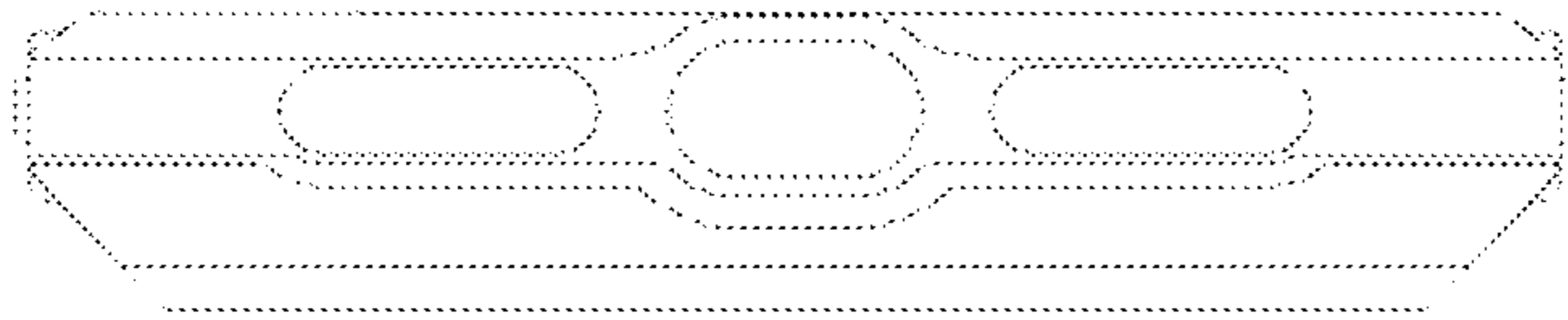


FIG. 6



FIG. 7



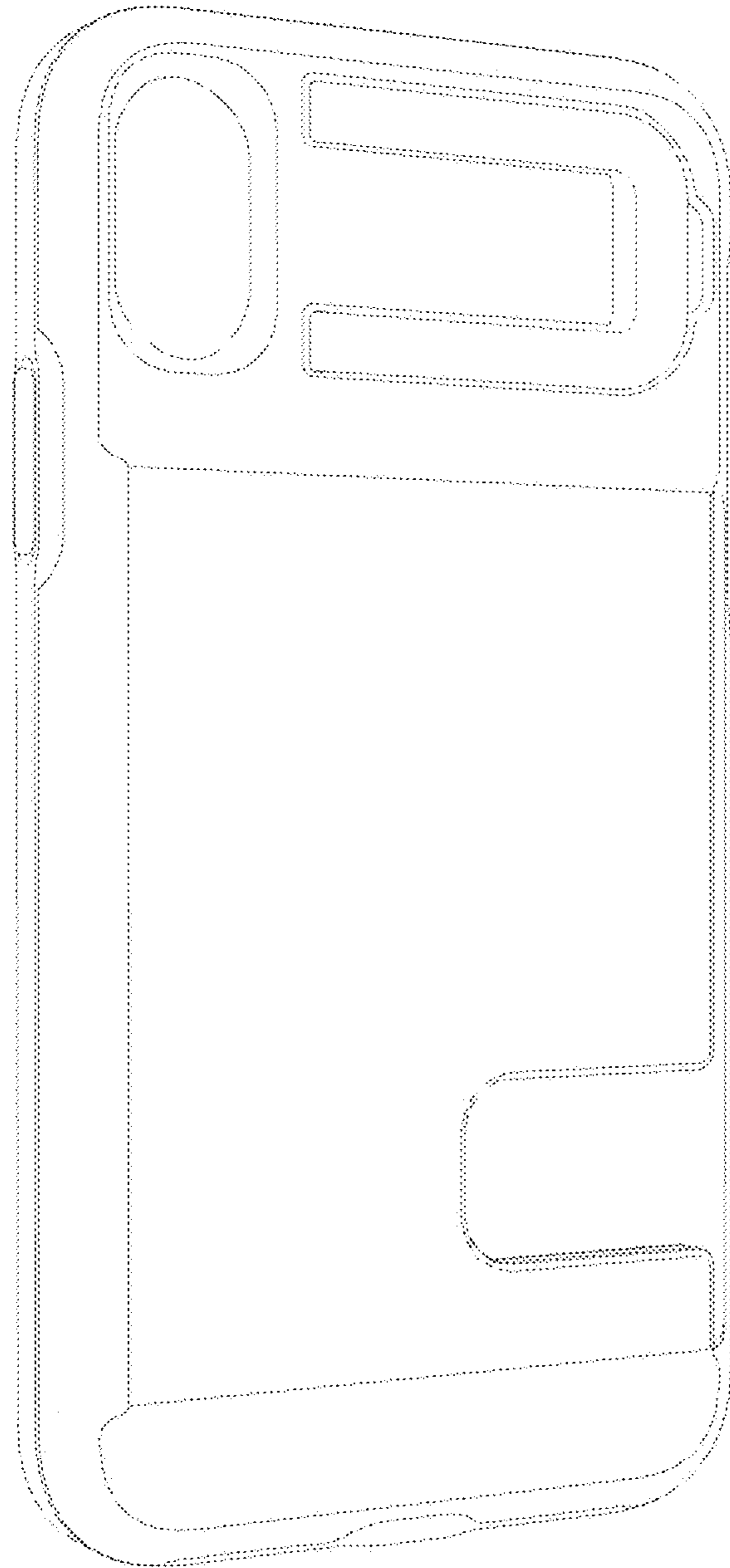


FIG. 8

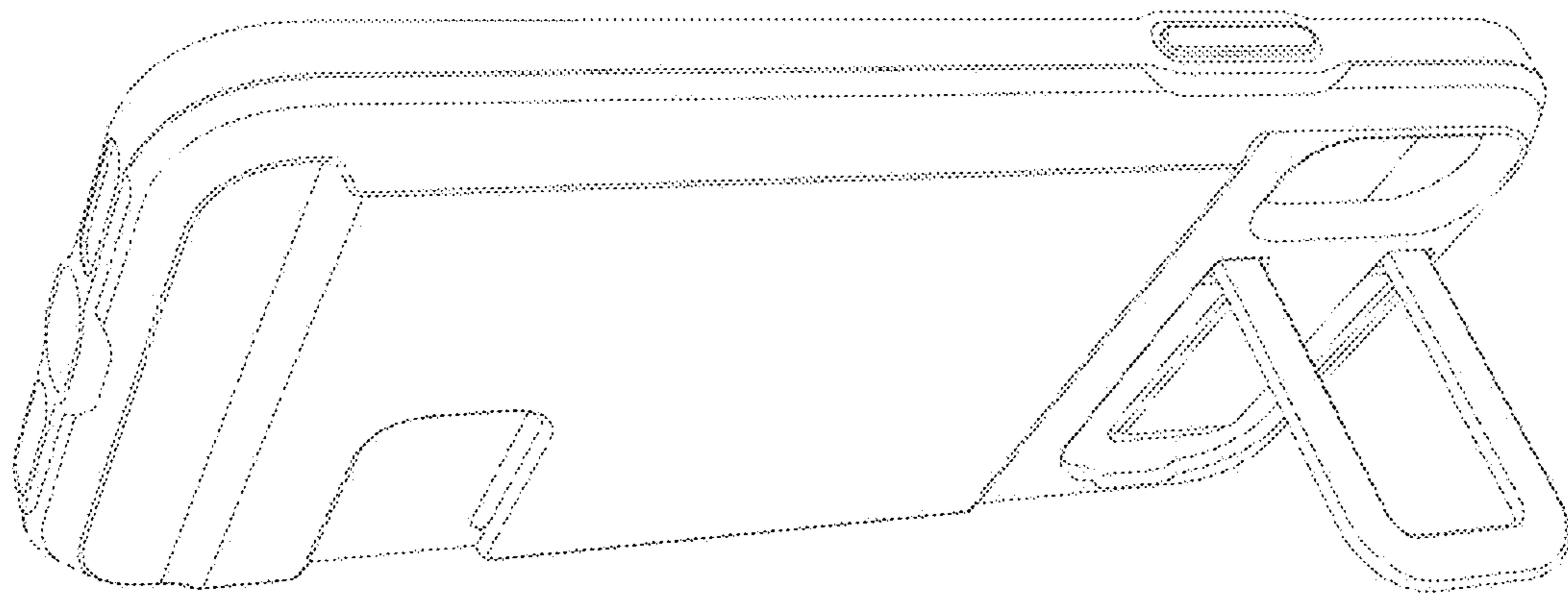


FIG. 9

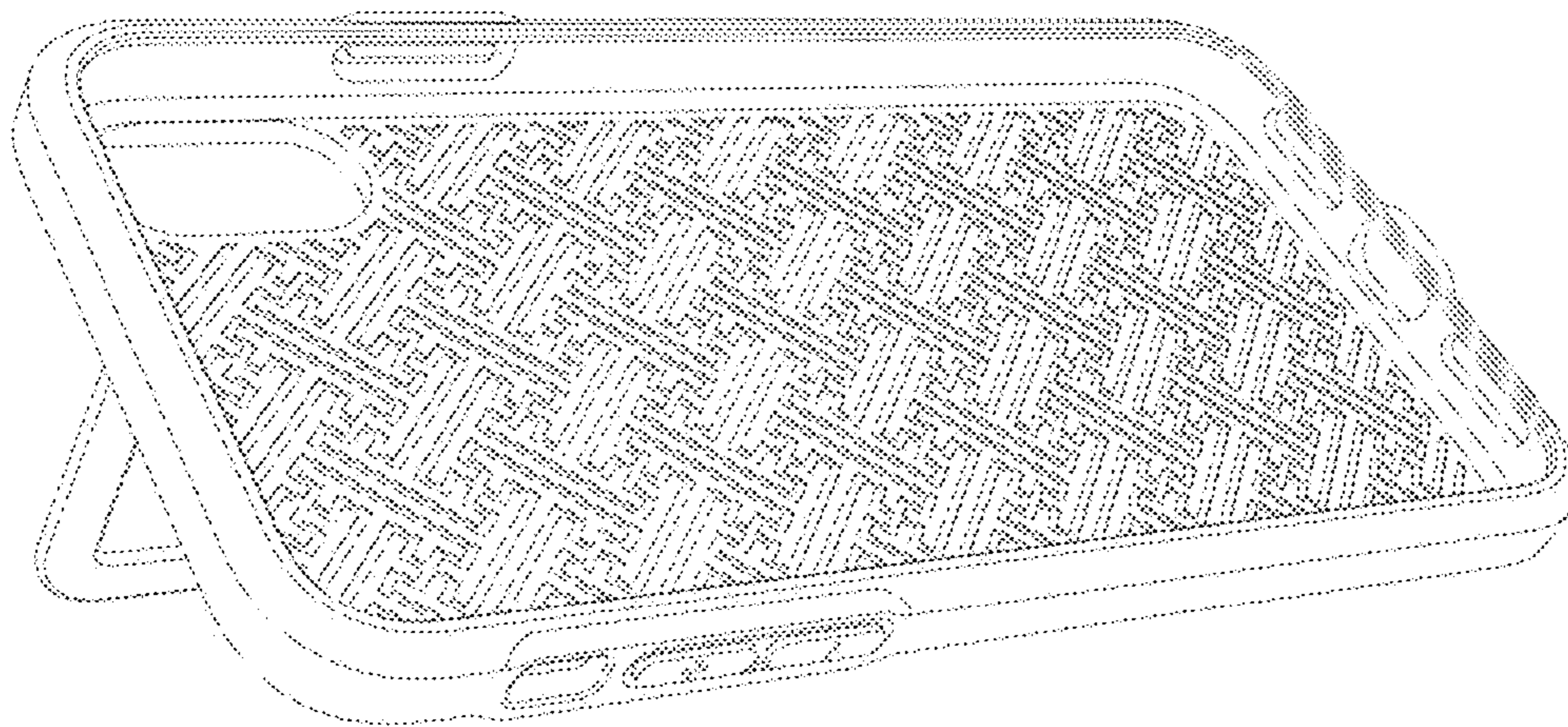


FIG. 10