



US00D842289S

(12) **United States Design Patent**
Feng

(10) **Patent No.:** **US D842,289 S**

(45) **Date of Patent:** **** Mar. 5, 2019**

- (54) **CELL PHONE CASE WITH CARRY STRAP**
- (71) Applicant: **Guangzhou Wenyi Communication Equipment Co., Ltd., Guangdong (CN)**
- (72) Inventor: **You Ru Feng, Guangdong (CN)**
- (**) Term: **15 Years**
- (21) Appl. No.: **29/584,452**
- (22) Filed: **Nov. 15, 2016**
- (51) **LOC (11) Cl.** **14-03**
- (52) **U.S. Cl.**
USPC **D14/250; D3/249**
- (58) **Field of Classification Search**
USPC D3/201, 207, 208, 212, 218, 232, 233,
D3/239, 242, 245-251, 269, 273, 301,
D3/303; D13/103, 107, 108, 119;
D14/137, 138 R, 138 AA, 138 C, 138 G,
D14/203.3-203.7, 217, 238.1, 247, 248,
D14/250, 251-253, 440
CPC H04B 1/3888; H04M 1/0283;
H04M 1/0202; A45C 1/06; A45C
2011/002; A45C 23/02; A45C 11/00;
A45F 2005/028; A45F 2200/0525; A45F
2200/0518
See application file for complete search history.

- D733,111 S * 6/2015 Kim D14/250
- D738,620 S * 9/2015 Schmole D3/249
- D755,168 S * 5/2016 Kim D14/250
- D757,431 S * 5/2016 Requa D3/247
- D760,708 S * 7/2016 Hirst D14/250
- D762,615 S * 8/2016 Kim D14/203.4
- D765,631 S * 9/2016 Harata D14/250
- D767,888 S * 10/2016 Kim D3/249

(Continued)

Primary Examiner — Susan E Krakower
Assistant Examiner — L. A. Grabenstetter
 (74) *Attorney, Agent, or Firm* — Wayne & Ken, LLC;
 Tony Hom

(57) **CLAIM**

The ornamental design for a cell phone case with carry strap, as shown and described.

DESCRIPTION

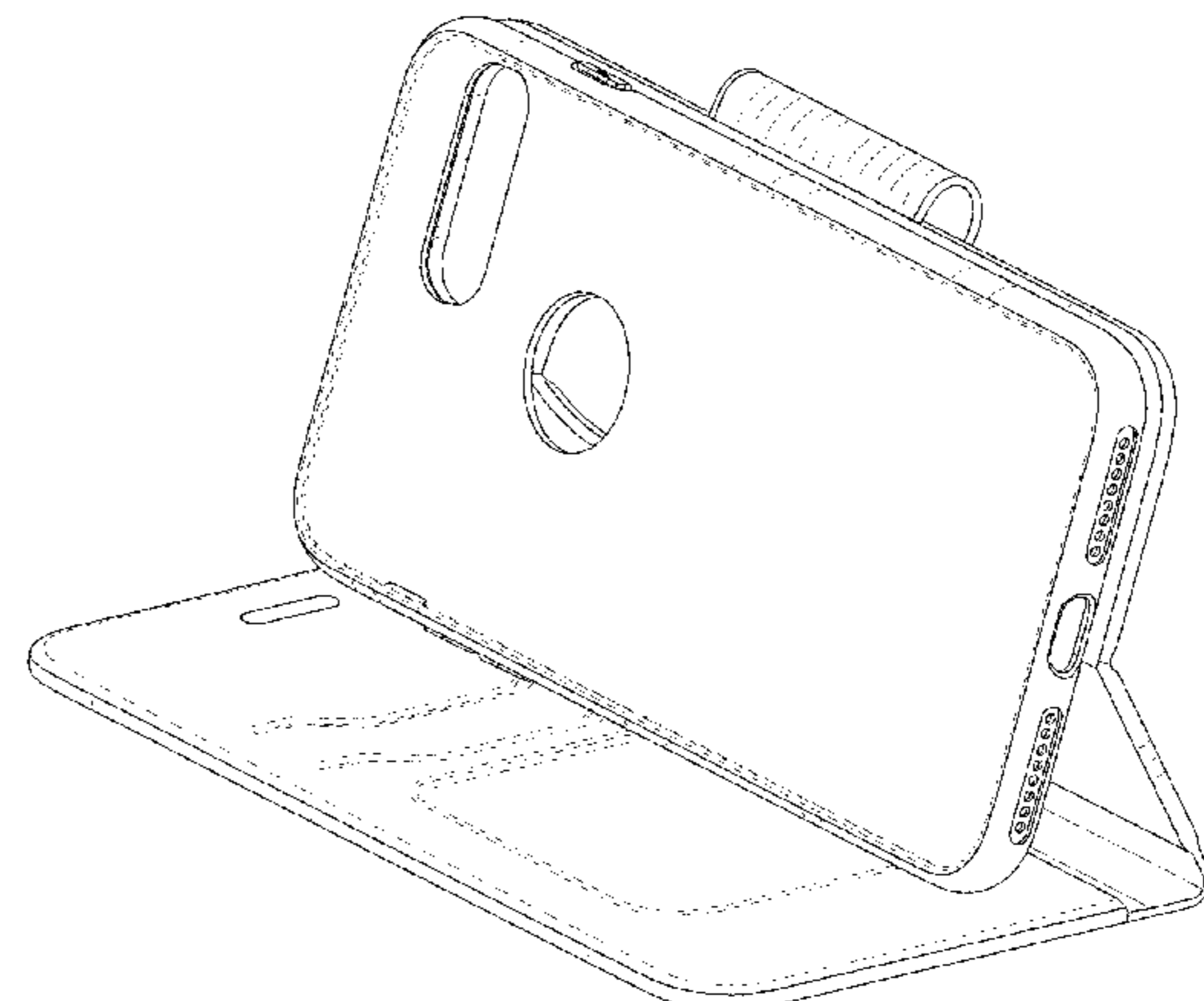
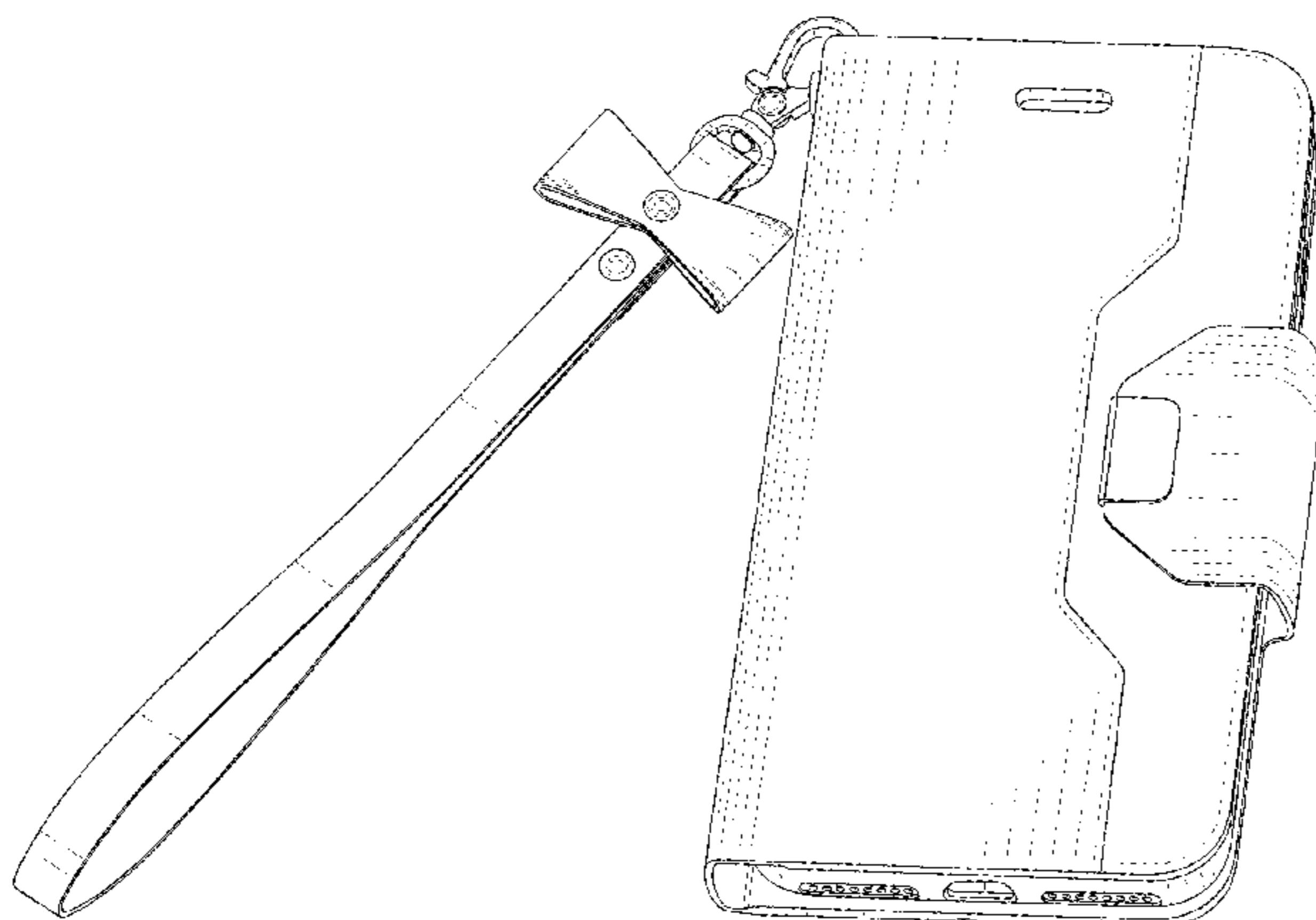
FIG. 1 is a rear elevational view of the cell phone case with carry strap, showing the carry strap detached for ease of illustration;
 FIG. 2 is a bottom plan view thereof;
 FIG. 3 is a bottom, front perspective view thereof, showing the carry strap attached for ease of illustration;
 FIG. 4 is a front view thereof, showing the carry strap detached for ease of illustration;
 FIG. 5 is a left side view thereof;
 FIG. 6 is a right side view thereof;
 FIG. 7 is a top plan view thereof;
 FIG. 8 is a second front view thereof, with the carry strap omitted for ease of illustration, and with the cell phone case shown in an open condition;
 FIG. 9 is a front-perspective view in USE stage thereof, showing the cellphone case in a propped position; and,
 FIG. 10 is a rear-perspective view in USE stage thereof, showing the cellphone case in a propped position.
 The broken lines depict unclaimed portions of the cell phone case.

(56) **References Cited**

U.S. PATENT DOCUMENTS

- D414,033 S * 9/1999 Rohm D3/201
- D517,803 S * 3/2006 Brown D3/247
- D557,008 S * 12/2007 Stiller D3/207
- D582,405 S * 12/2008 Andre D3/299
- D647,697 S * 11/2011 Littleton D3/249
- D660,833 S * 5/2012 Bau D14/250
- D688,655 S * 8/2013 Rey-Hipolito D14/250
- D705,764 S * 5/2014 Thoni D14/250
- D712,393 S * 9/2014 Kim D14/250
- D719,950 S * 12/2014 Smith D14/250
- D729,522 S * 5/2015 Kim D3/218

1 Claim, 10 Drawing Sheets



(56)

References Cited

U.S. PATENT DOCUMENTS

2014/0083876 A1* 3/2014 Lin A45C 11/00
206/37

* cited by examiner

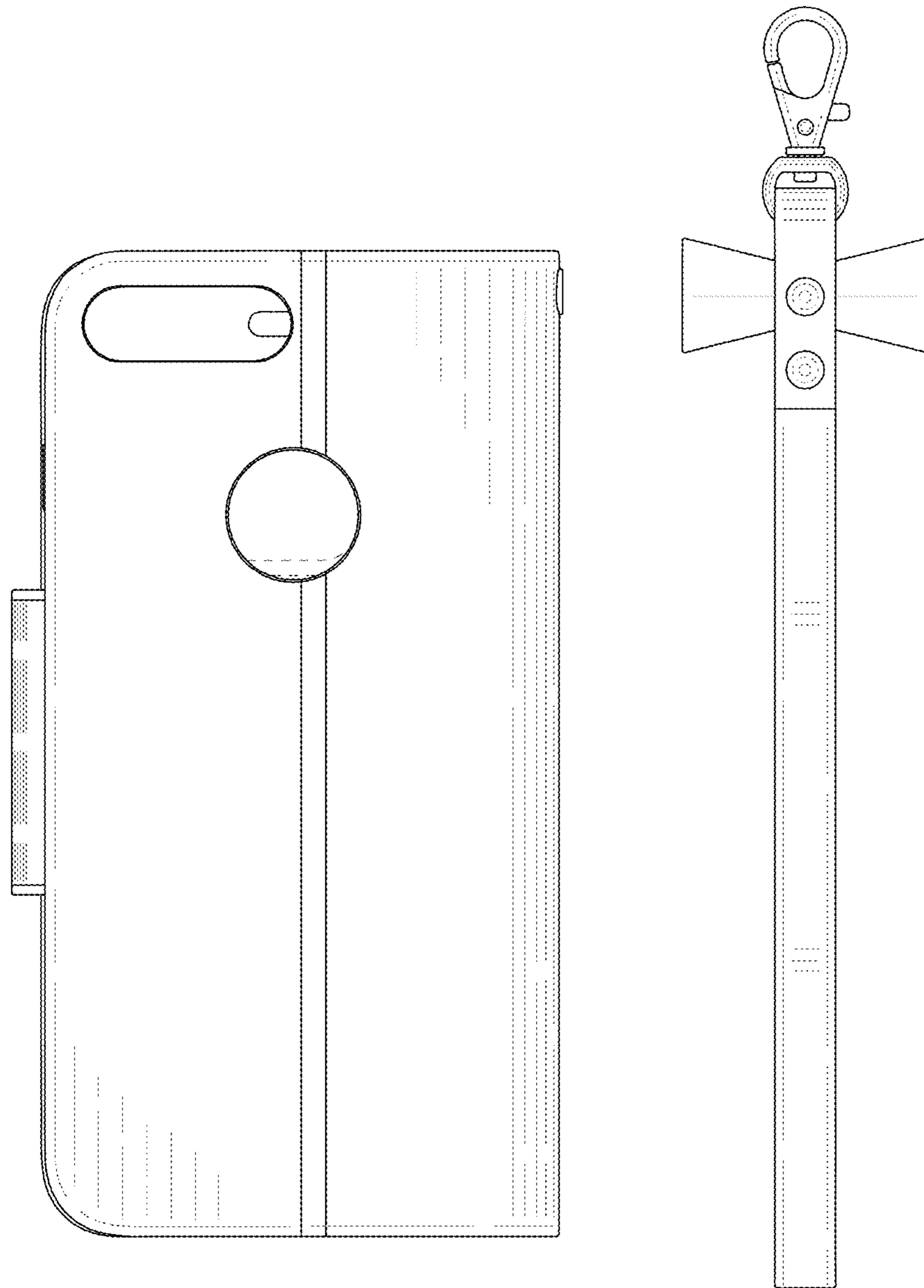


Fig. 1

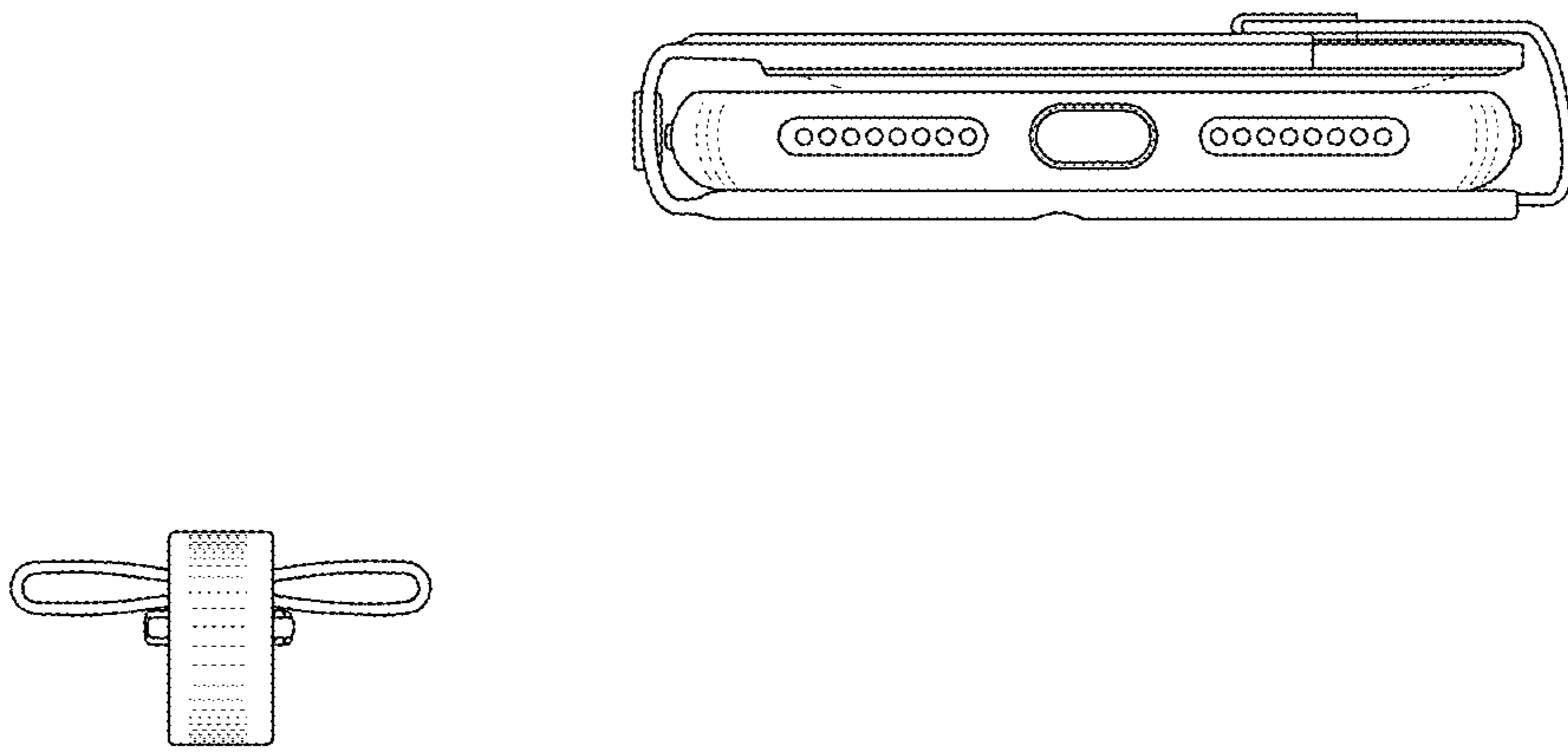


Fig. 2

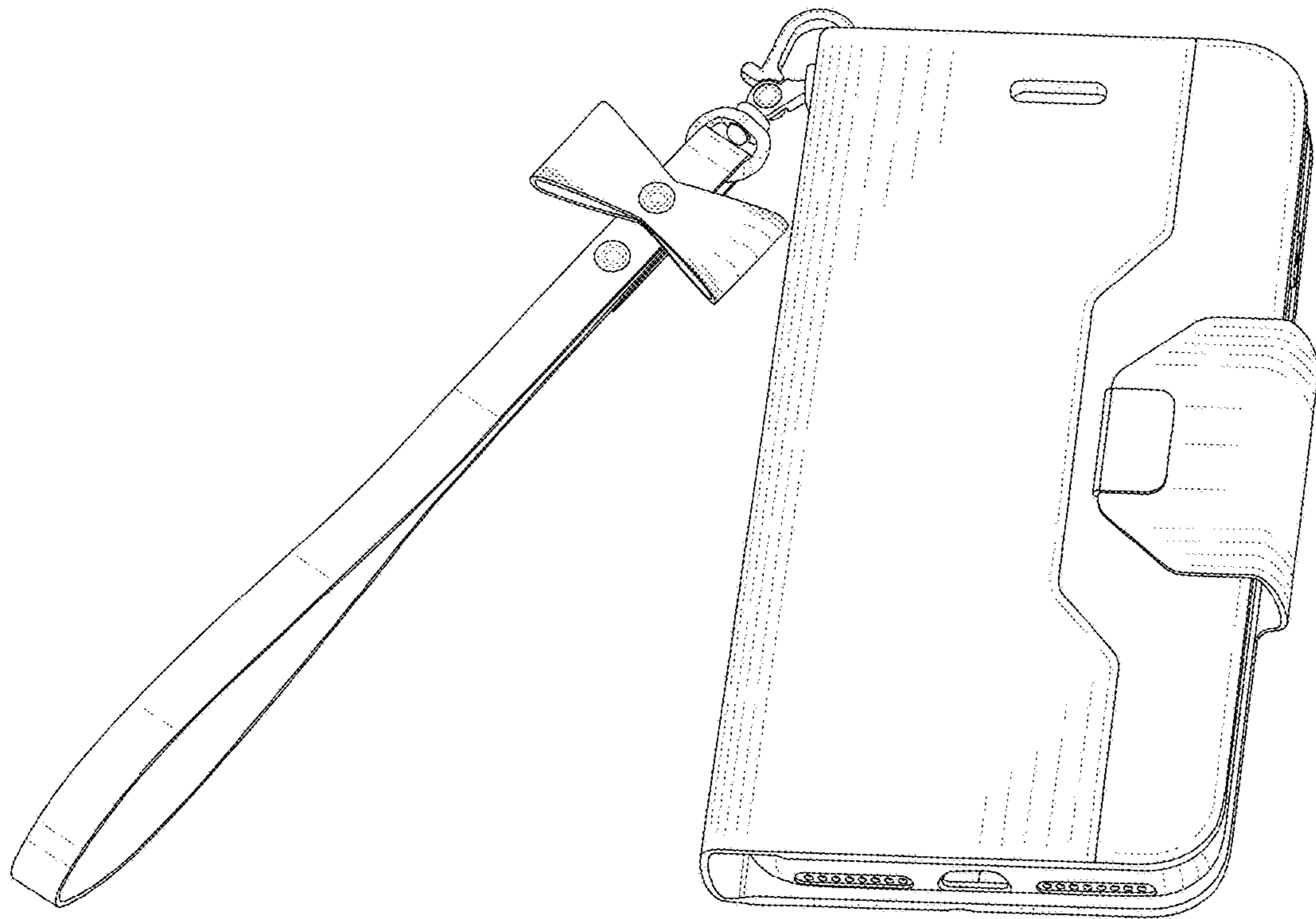


Fig. 3

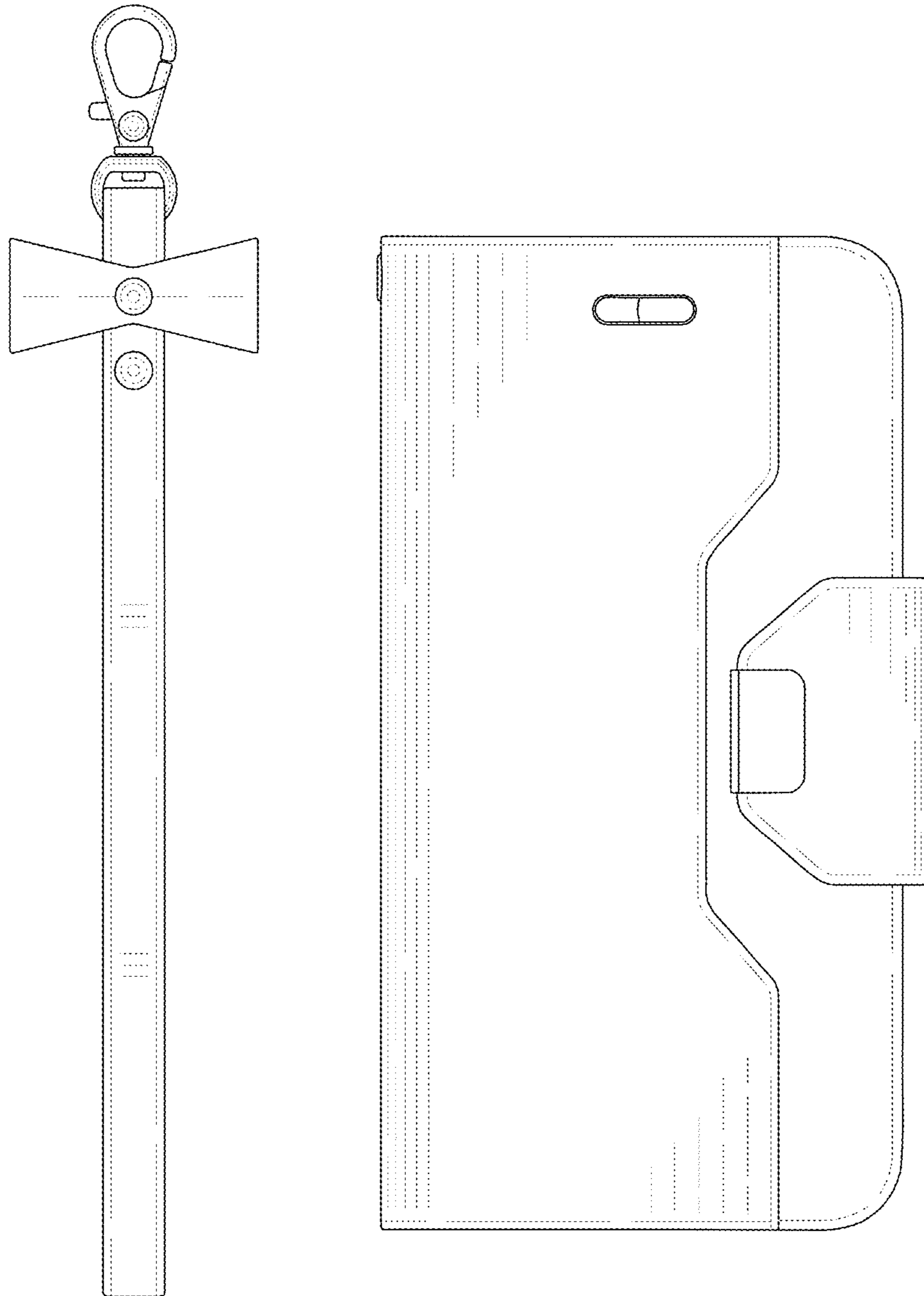


Fig. 4

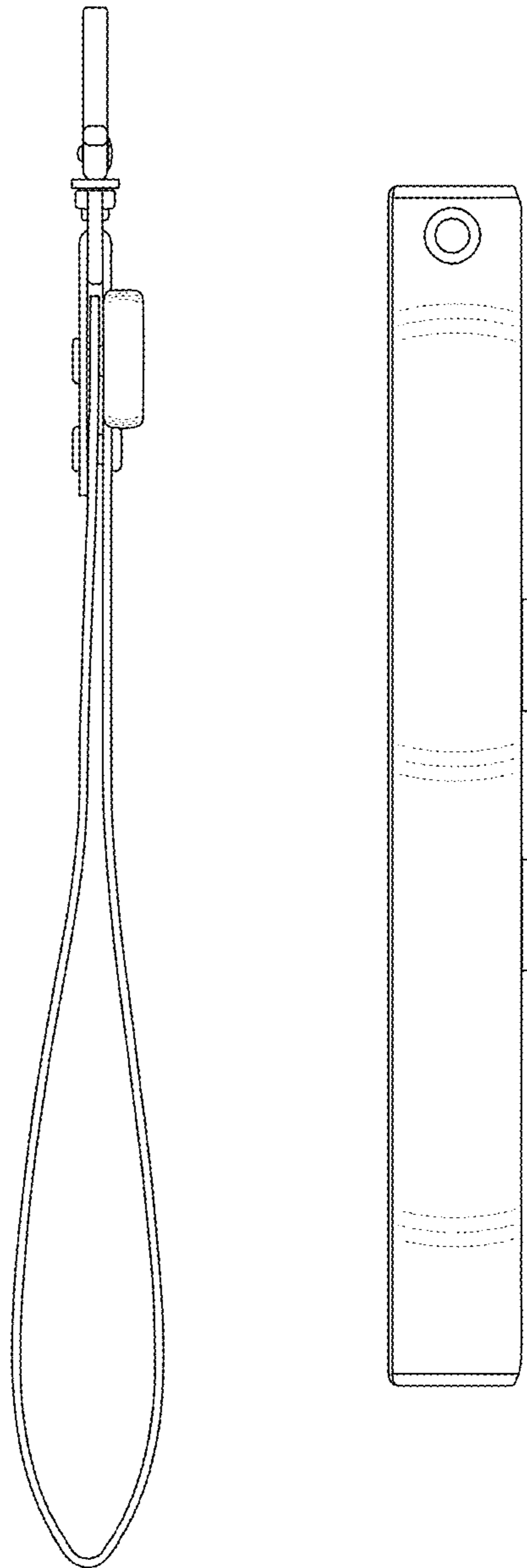


Fig. 5

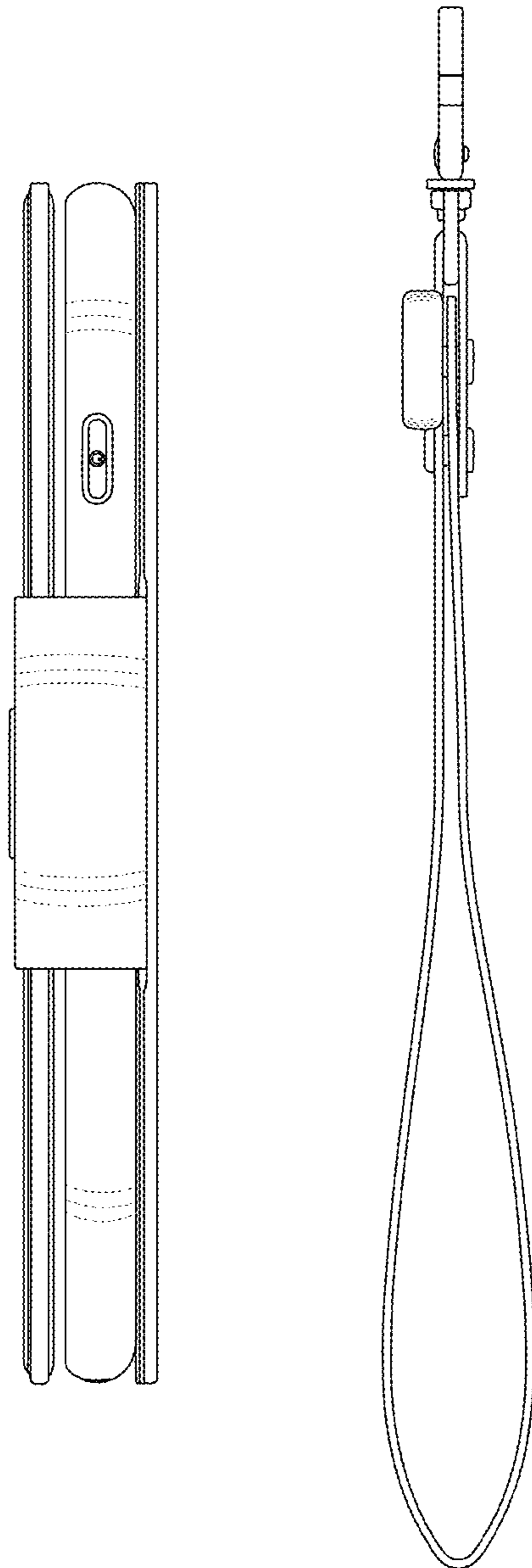


Fig. 6

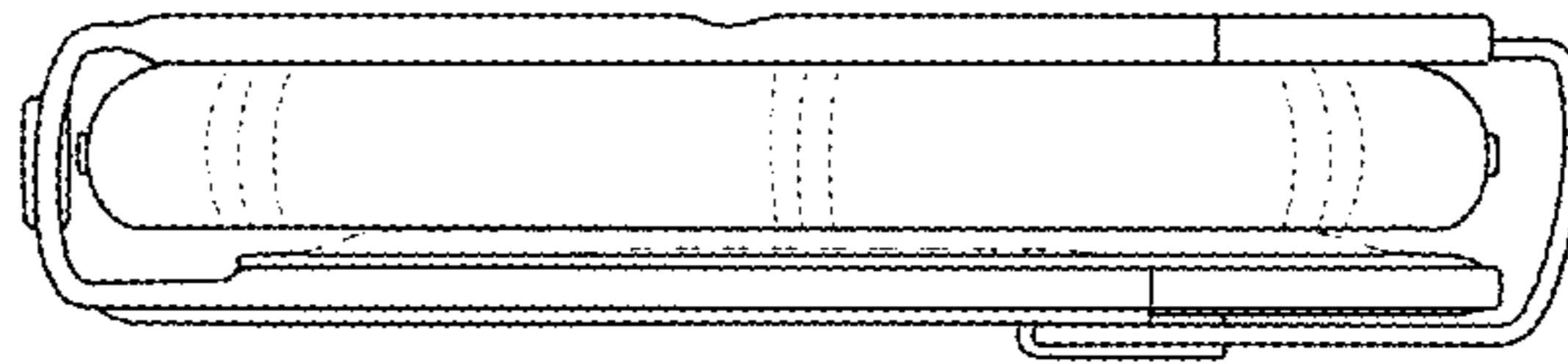
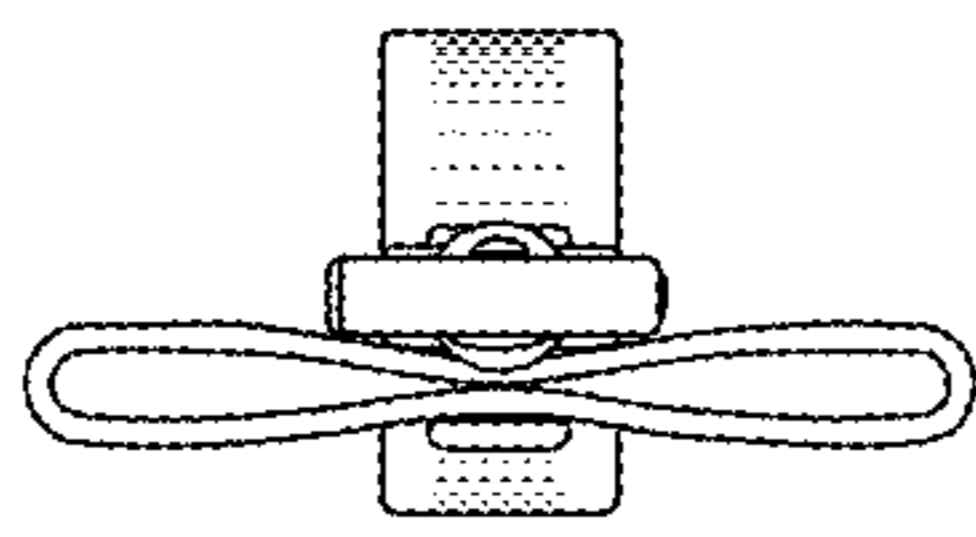


Fig. 7

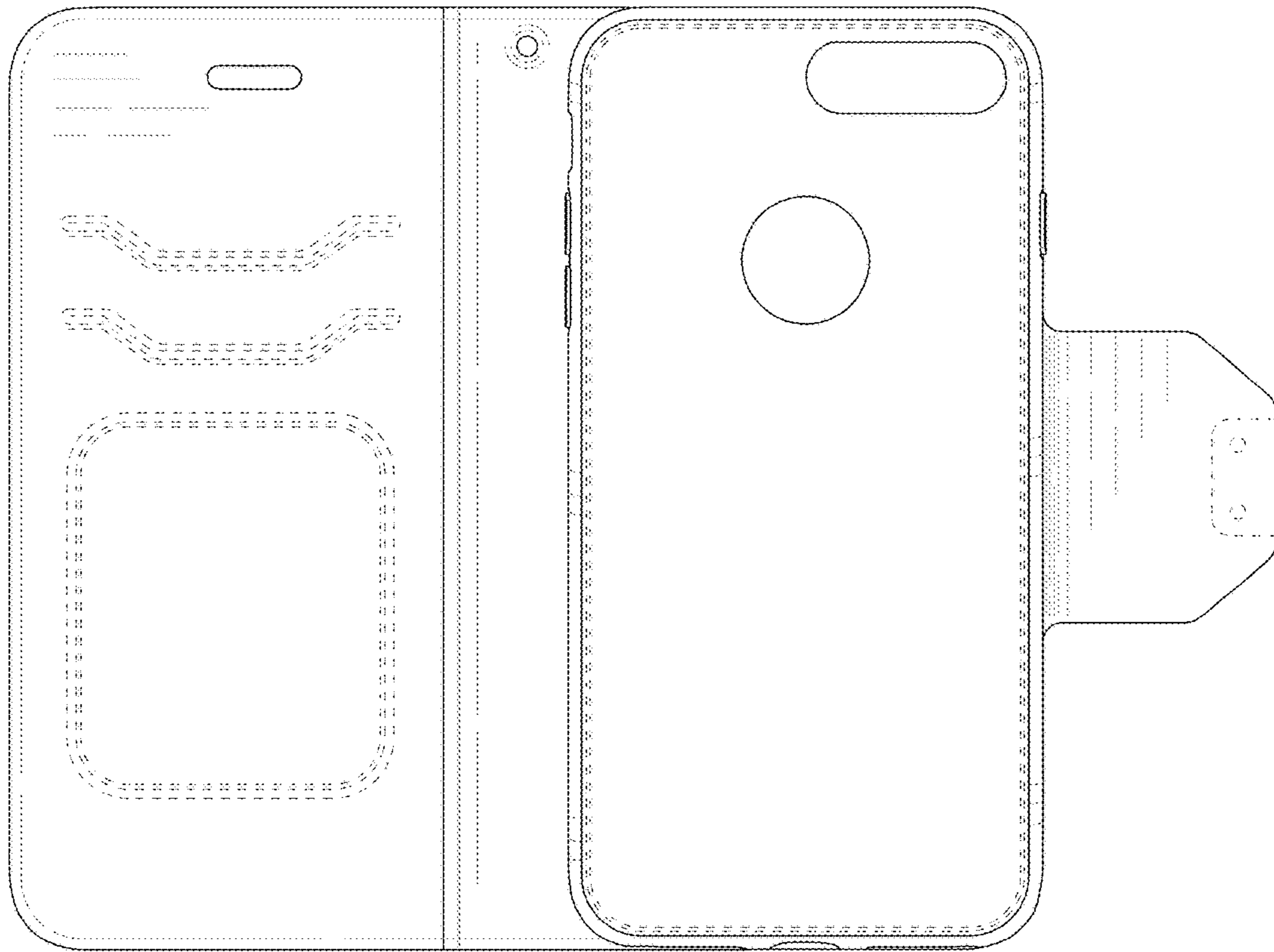


Fig. 8

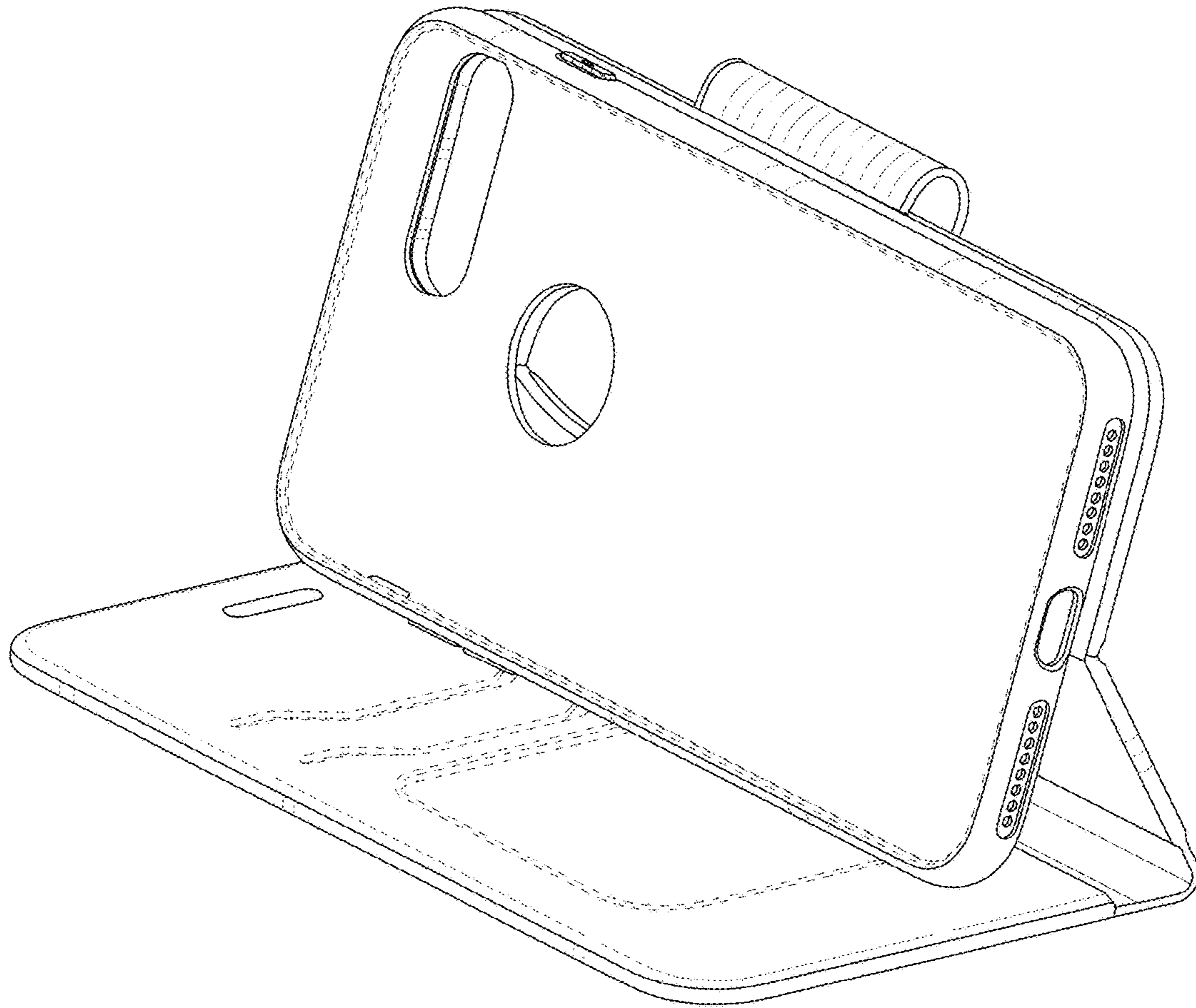


Fig. 9

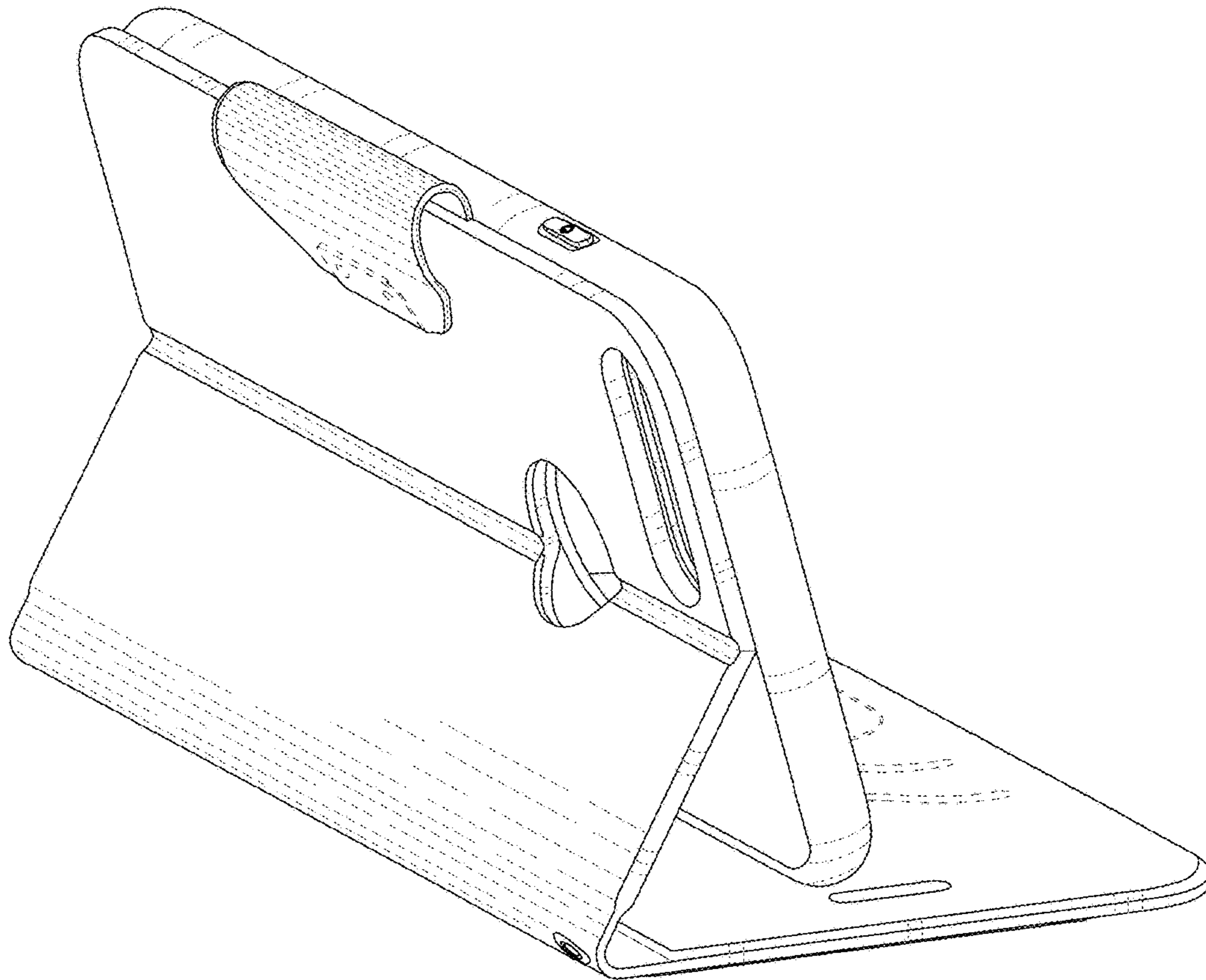


Fig. 10