

US00D842284S

(12) **United States Design Patent**
Pei

(10) **Patent No.:** **US D842,284 S**

(45) **Date of Patent:** **** Mar. 5, 2019**

(54) **FLAT TV MOUNT**

CPC A47B 43/00; G03B 1/00
See application file for complete search history.

(71) Applicant: **Xu Bo Pei**, Shenzhen (CN)

(56) **References Cited**

(72) Inventor: **Xu Bo Pei**, Shenzhen (CN)

U.S. PATENT DOCUMENTS

(**) Term: **15 Years**

D634,739	S	*	3/2011	Molter	D14/239
D636,765	S	*	4/2011	Molter	D14/239
D682,258	S	*	5/2013	Anderson	D14/239
D700,593	S	*	3/2014	Xiang	D14/239
8,827,226	B2	*	9/2014	Townsend	F16M 11/10 220/3.5

(21) Appl. No.: **29/639,503**

(22) Filed: **Mar. 6, 2018**

(30) **Foreign Application Priority Data**

* cited by examiner

Jan. 8, 2018 (CN) 2018 3 0007161

Primary Examiner — Randall H Gholson

(51) **LOC (11) Cl.** **14-03**

(74) *Attorney, Agent, or Firm* — JCIPRNET

(52) **U.S. Cl.**
USPC **D14/239**

(57) **CLAIM**

(58) **Field of Classification Search**

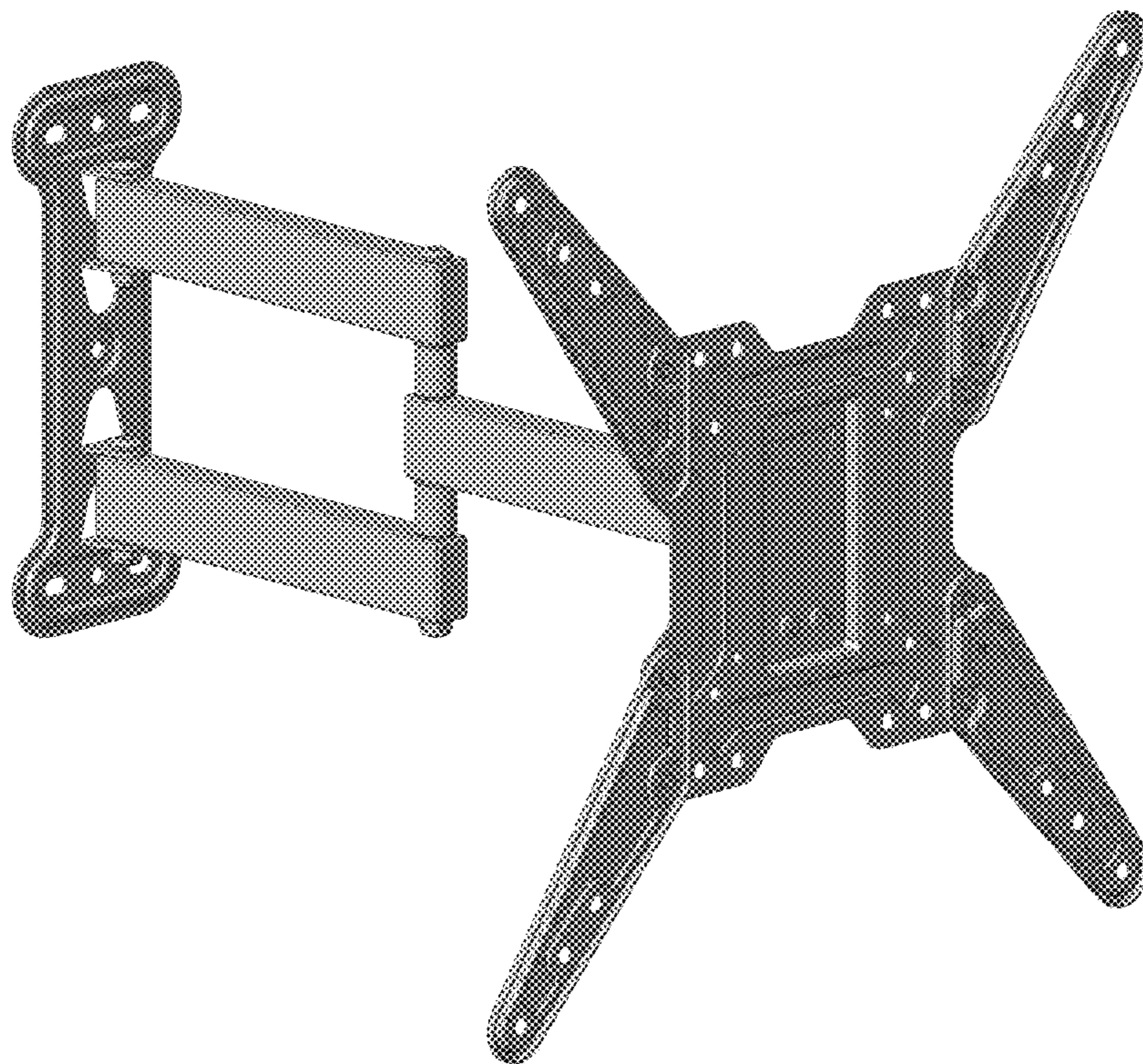
The ornamental design for a flat TV mount, as shown and described.

USPC D14/239, 371, 136, 374-377; D8/363, D8/373, 349, 394; 248/465, 917-924, 248/123.11; 348/825, 827, 836, 837, 838, 348/180, 184, 325, 739; 600/443; D6/477-479, 407, 474, 460, 461, 468; 312/7.2; 341/12; 345/87, 104, 133, 156, 345/168, 169, 173; 720/605, 669, 600, 720/655; 369/99, 197; 455/344-347; 349/1, 2, 11, 62; 108/59, 91, 92, 96; 211/40, 41.12, 42, 49.1, 50, 85.2, 90.04, 211/187, 190, 119.003, 134.153, 87.01, 211/71.01

DESCRIPTION

FIG. 1 is a perspective view of a flat TV mount showing my new design;
 FIG. 2 is a front view thereof;
 FIG. 3 is a rear view thereof;
 FIG. 4 is a left side view thereof;
 FIG. 5 is a right side view thereof;
 FIG. 6 is a top view thereof; and,
 FIG. 7 is a bottom view thereof.

1 Claim, 7 Drawing Sheets



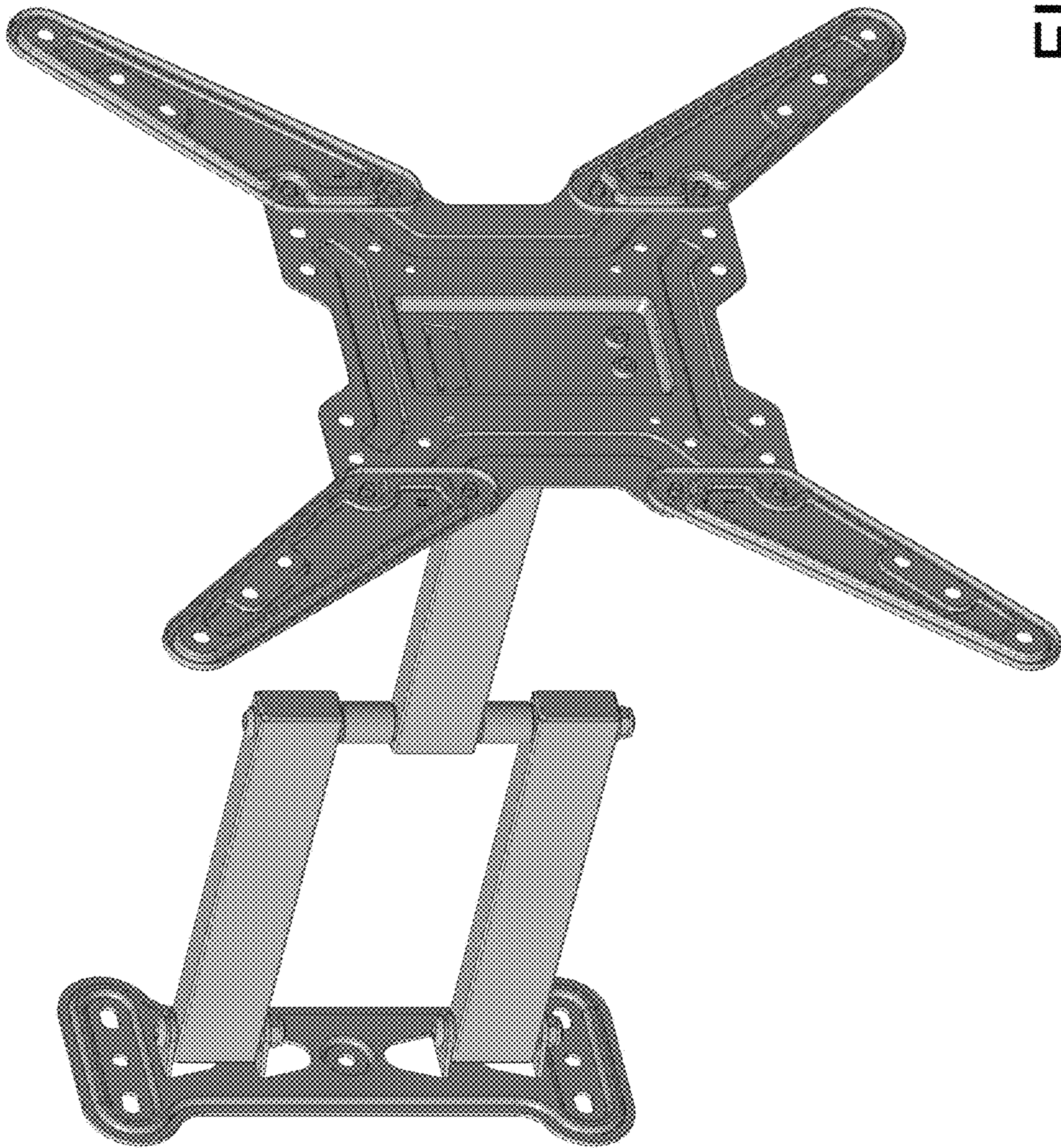


FIG. 1

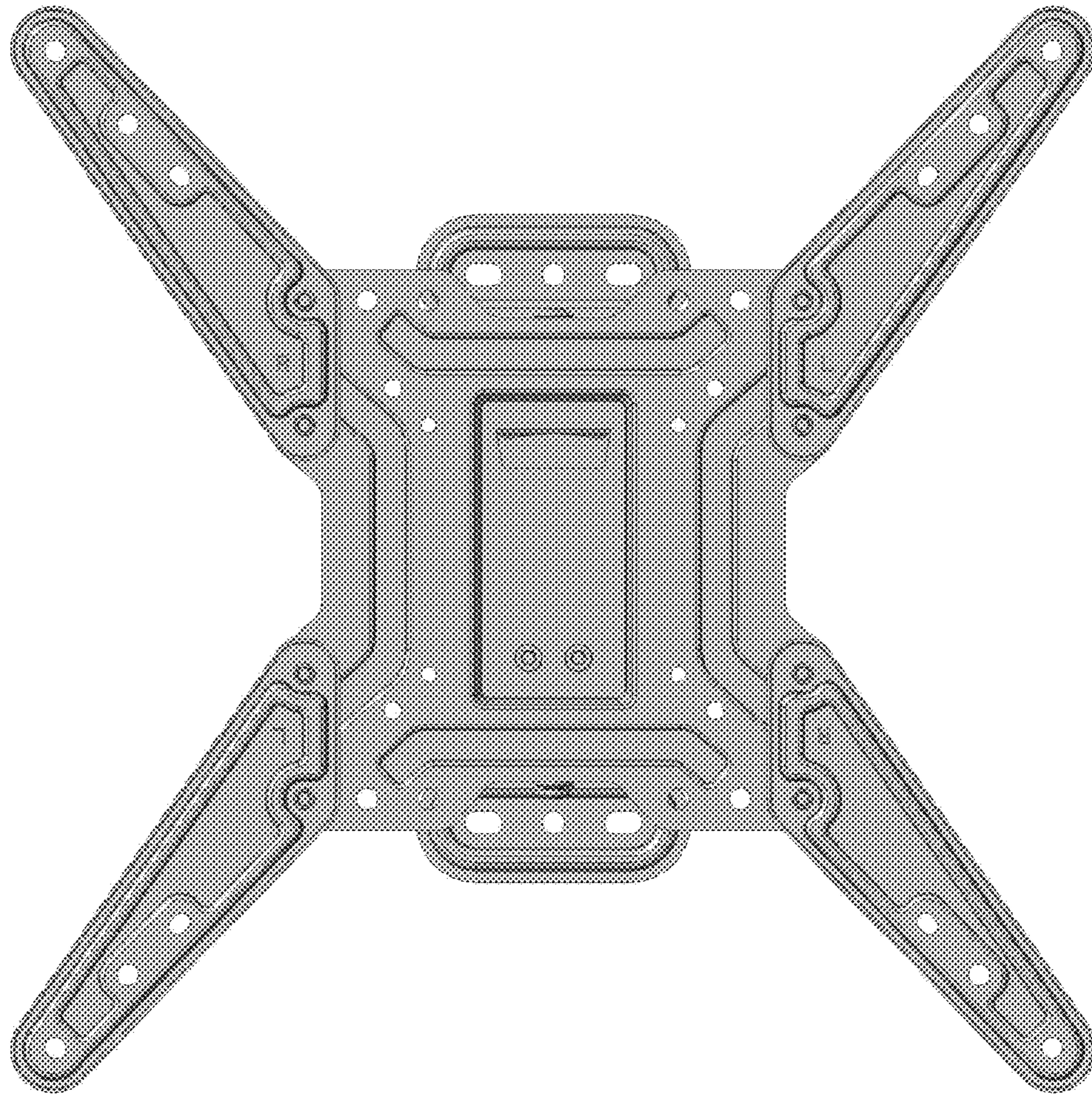


FIG. 2

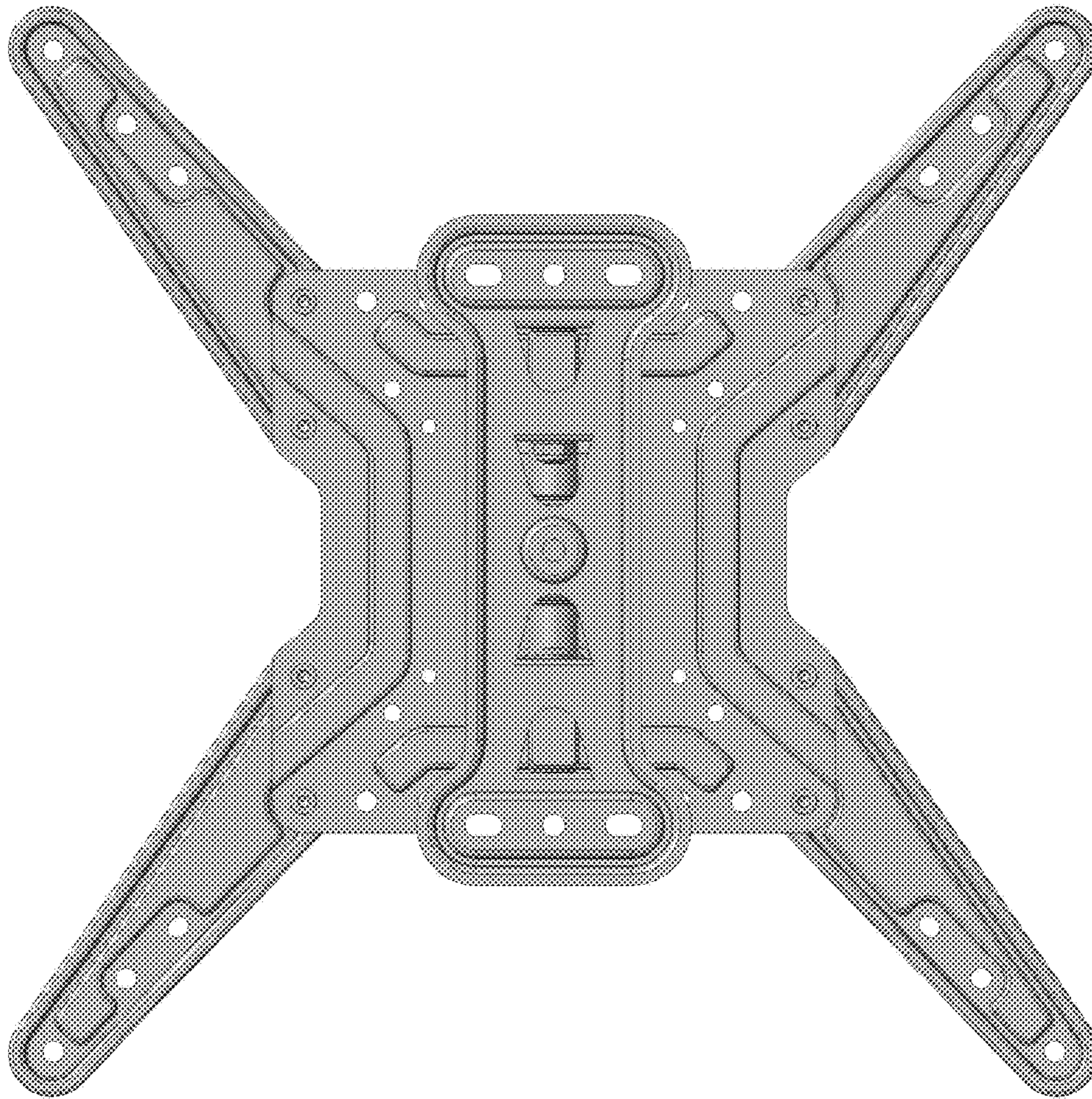


FIG. 3

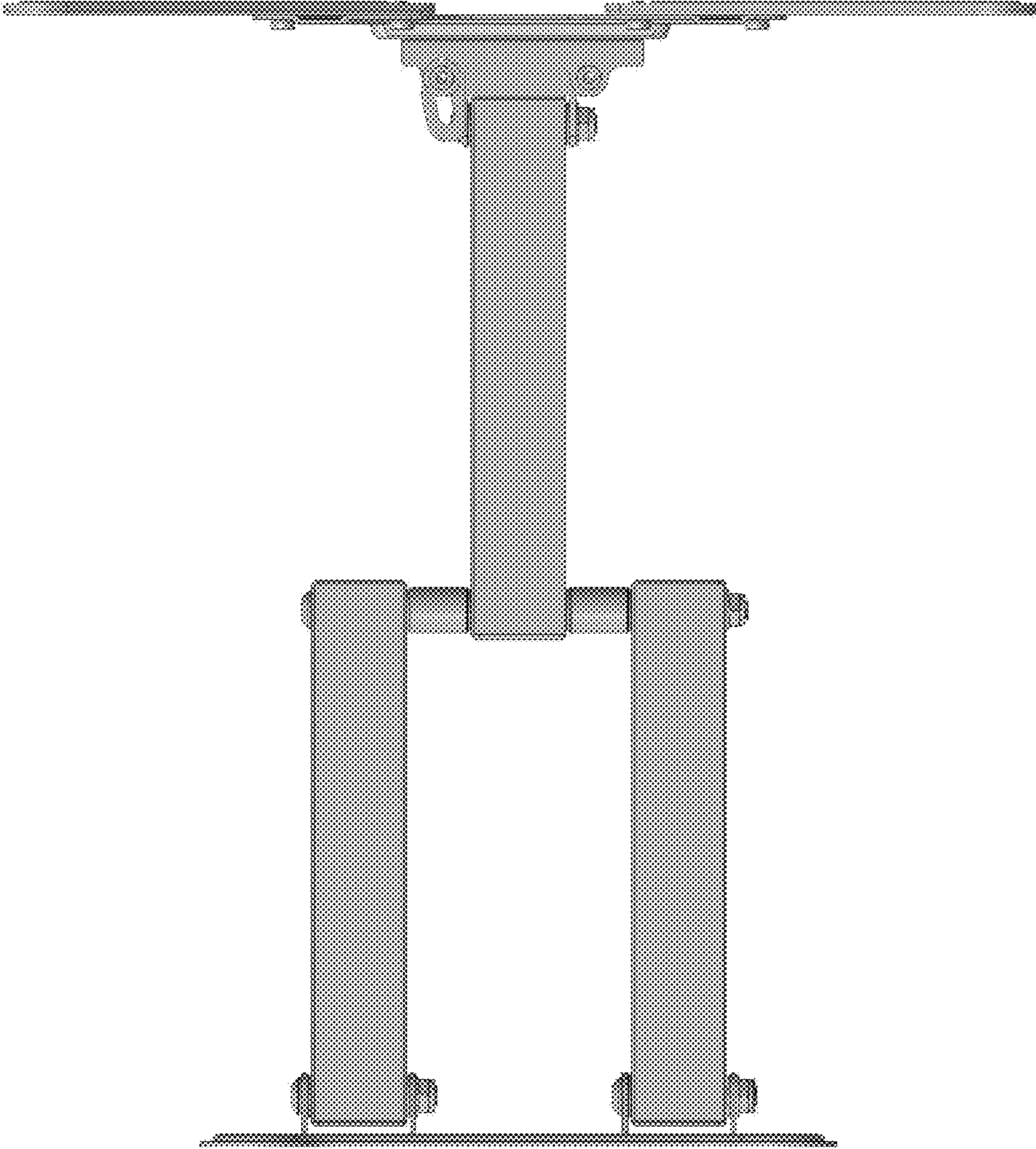


FIG. 4

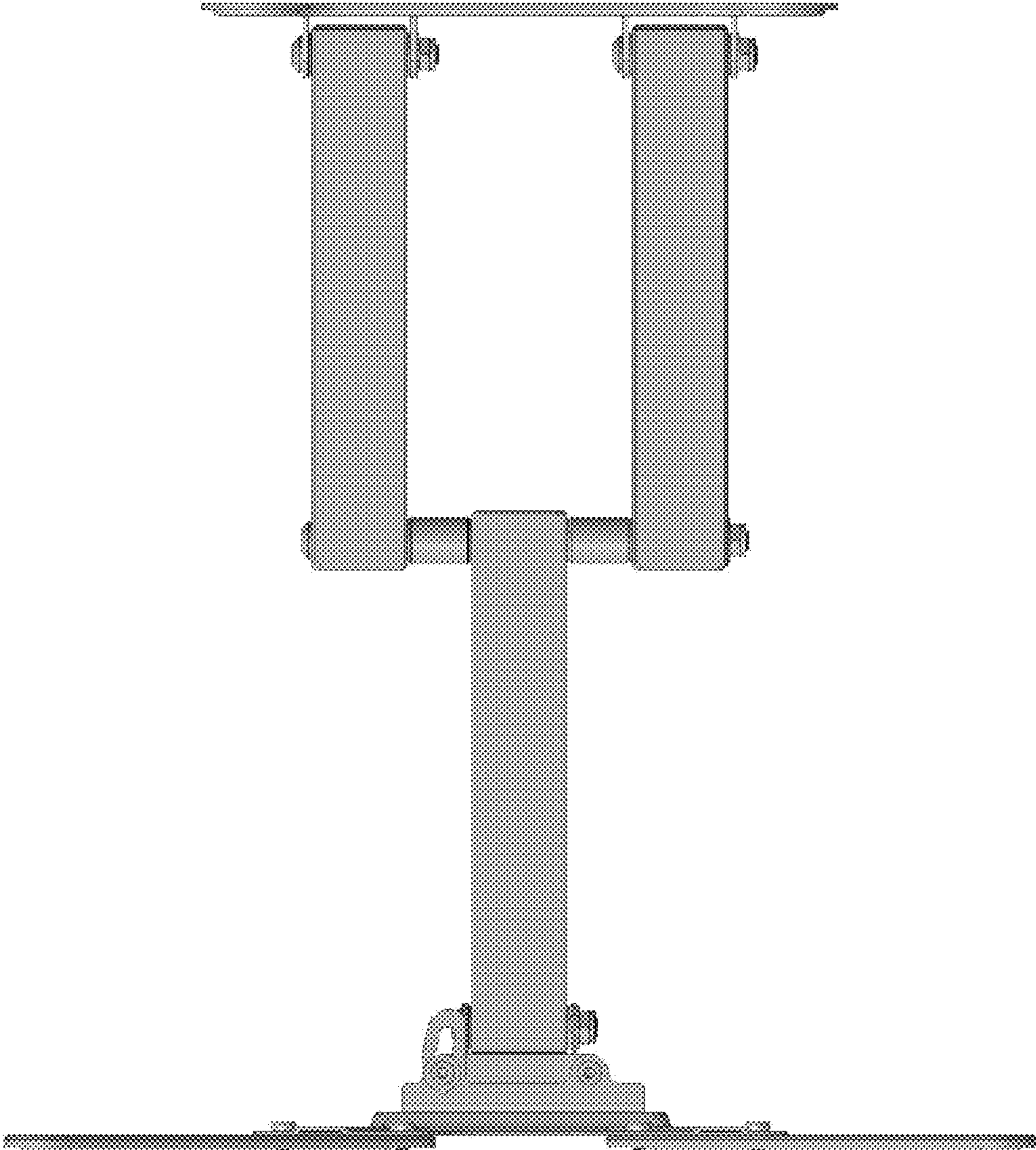


FIG. 5

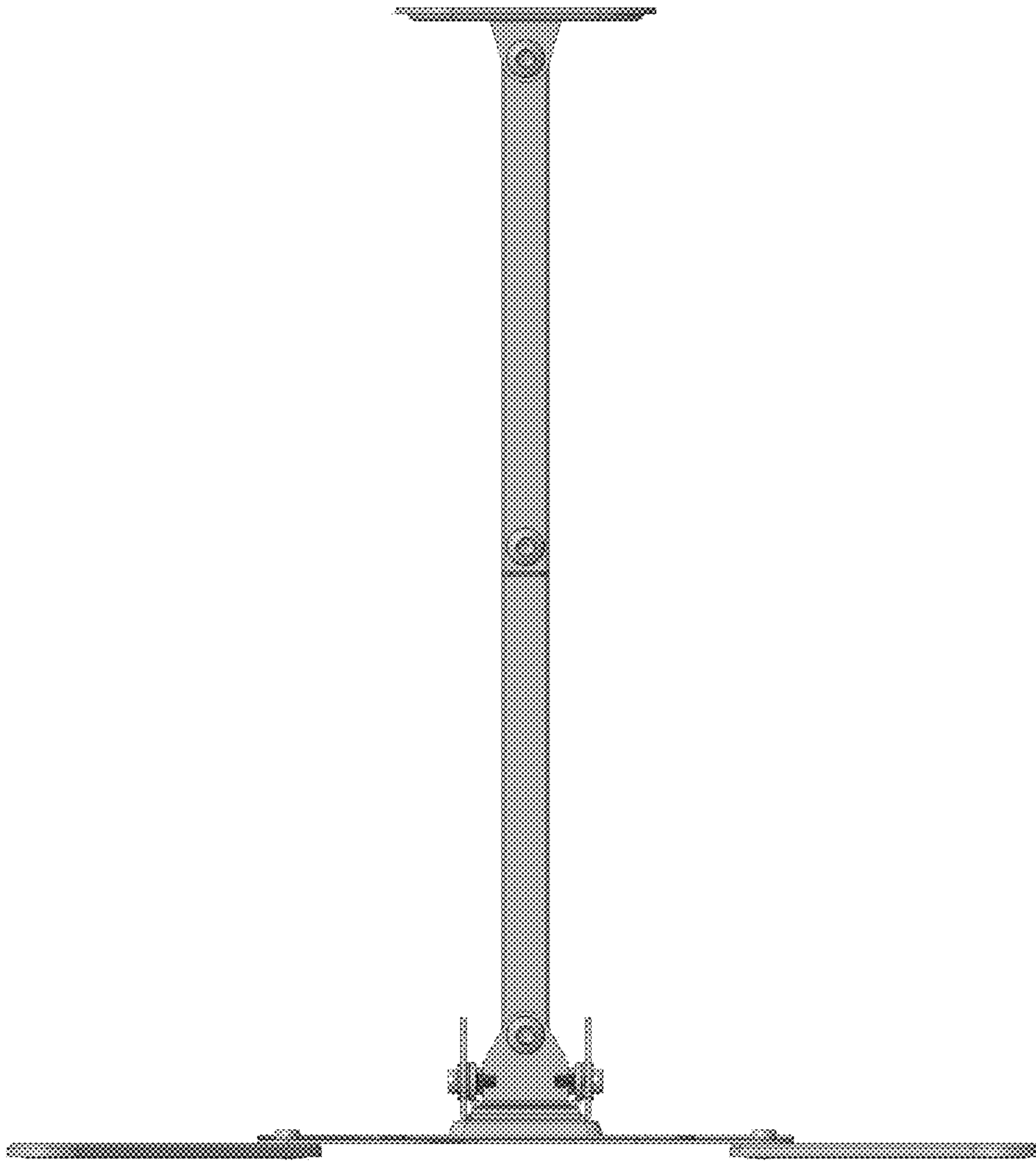


FIG. 6

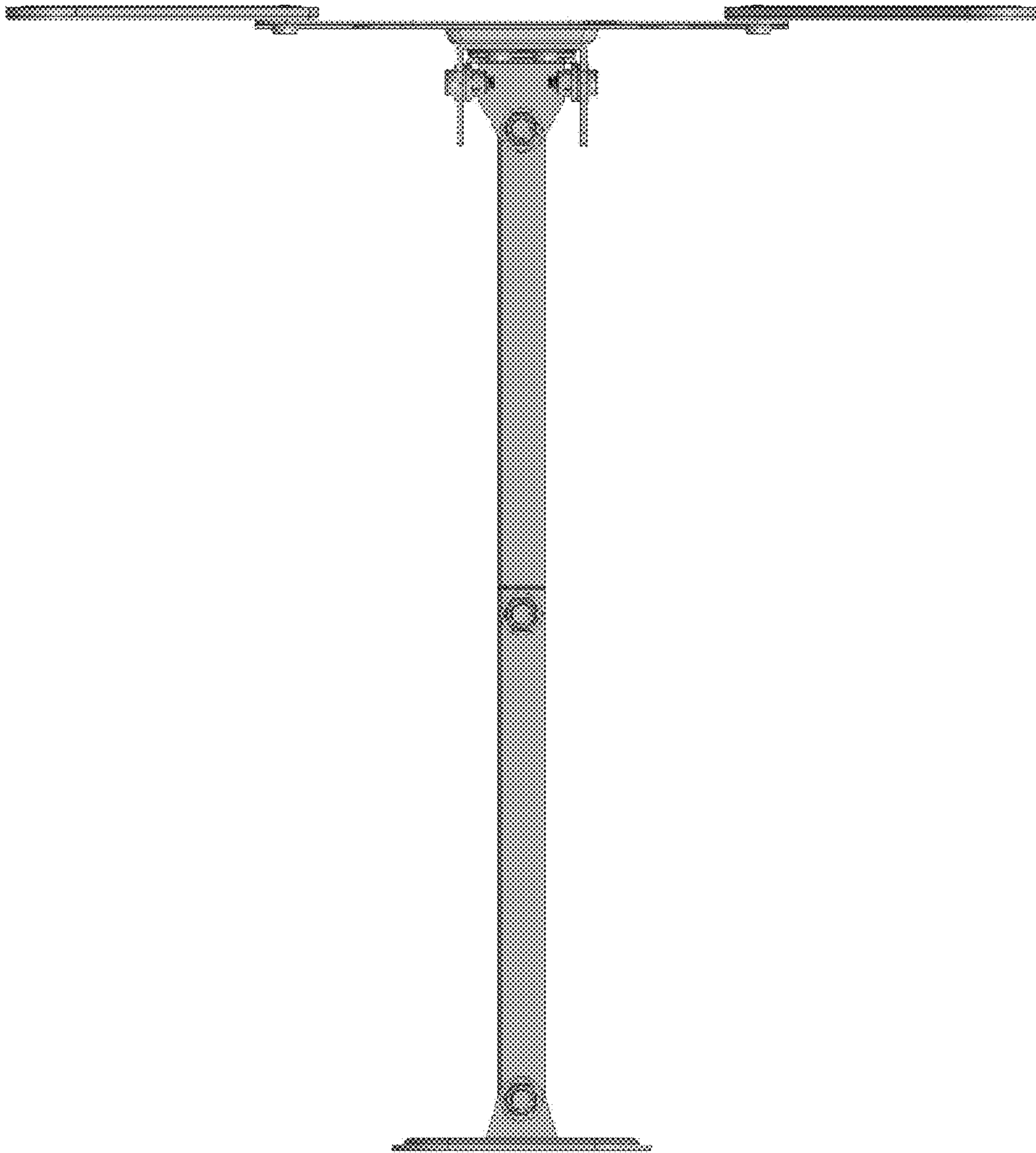


FIG. 7