



US00D842281S

(12) **United States Design Patent** (10) **Patent No.:** **US D842,281 S**
Taeger et al. (45) **Date of Patent:** **** Mar. 5, 2019**

(54) **BOWTIE ANTENNA**
(71) Applicant: **Winegard Company**, Burlington, IA (US)
(72) Inventors: **Marty R. Taeger**, Burlington, IA (US); **Douglas Anthony Norman**, Quincy, IL (US)
(73) Assignee: **Winegard Company**, Burlington, IA (US)

6,762,729 B2 7/2004 Egashira
D500,753 S * 1/2005 Nagatomi D14/233
7,019,704 B2 3/2006 Weiss
D520,499 S * 5/2006 Nagatomi D14/233
7,050,013 B2 5/2006 Kim et al.
7,123,207 B2 10/2006 Yazdandoost et al.
D546,323 S * 7/2007 Van Buren D14/230
D576,613 S * 9/2008 Okamura D14/230
D589,277 S * 3/2009 Chen D6/684
D612,369 S * 3/2010 Conrad D14/230

(Continued)

(**) Term: **15 Years**

(21) Appl. No.: **29/613,152**

(22) Filed: **Aug. 8, 2017**

(51) **LOC (11) Cl.** **14-03**

(52) **U.S. Cl.**
USPC **D14/230**

(58) **Field of Classification Search**
USPC ... D14/230.1, 203.3, 203.6, 230-238, 238.1, D14/204, 216, 221, 240, 242, 299, 314, D14/343, 496, 509
CPC H01Q 1/12; H01Q 1/22; H01Q 1/007; H01Q 1/38; H01Q 7/00; H01Q 9/40; H01Q 9/285; H01Q 9/065; H01Q 9/44; H01Q 9/265; H01Q 19/10; H01Q 19/106; H01Q 19/12; H01Q 19/13; H01Q 19/15; H01Q 19/30; H01Q 21/28; H01Q 21/06; H01Q 21/062; H01Q 21/293; G05D 1/02; G05D 1/0234
See application file for complete search history.

(56) **References Cited**

U.S. PATENT DOCUMENTS

2,480,155 A * 8/1949 Masters H01Q 9/285 343/795
5,696,372 A 12/1997 Grober et al.
D440,965 S * 4/2001 Inoue 343/834
6,466,178 B1 10/2002 Muterspaugh
D480,387 S * 10/2003 Burns H01Q 9/28 D14/230

OTHER PUBLICATIONS

“Winegard Elite 7550 Long Range Outdoor HDTV Antenna review,” posted by Joe Porletto, online, post date Jan. 22, 2018, <URL: <https://the-gadgeteer.com/2018/01/22/winegard-elite-7550-long-range-outdoor-hdtv-antenna-review/> >, retrieved Oct. 23, 2018.*

(Continued)

Primary Examiner — Jeffrey D Asch
Assistant Examiner — Rebekah A Caruso
(74) *Attorney, Agent, or Firm* — Dorr, Carson & Birney PC

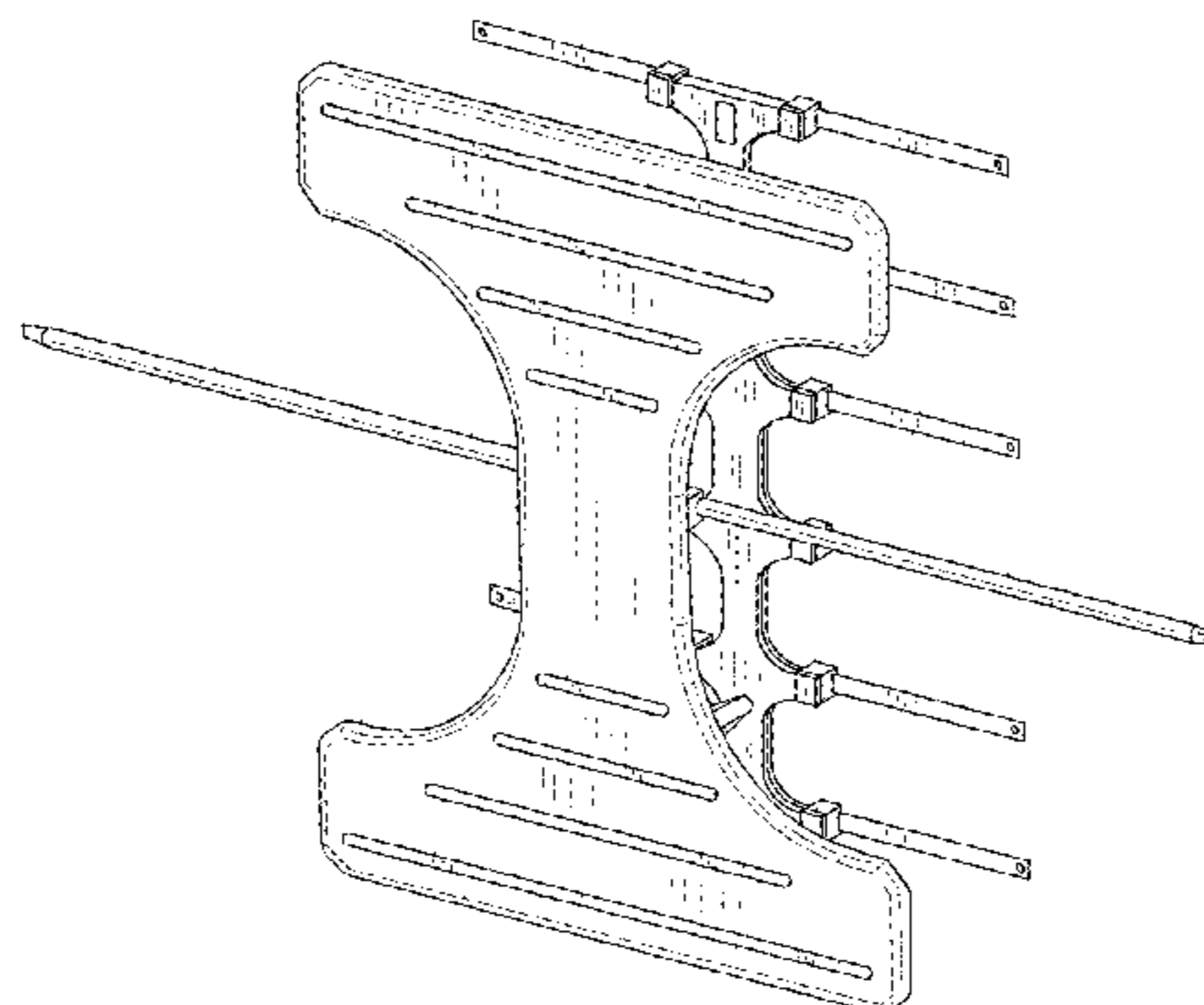
(57) **CLAIM**

The ornamental design for a bowtie antenna, as shown and described.

DESCRIPTION

FIG. 1 is a front perspective view of a bowtie antenna showing our new design.
FIG. 2 is a rear perspective view thereof
FIG. 2 is a bottom perspective view thereof.
FIG. 3 is a front view thereof.
FIG. 4 is a rear view thereof.
FIG. 5 is a right side view thereof.
FIG. 6 is a left side view thereof.
FIG. 7 is a top view thereof; and,
FIG. 8 is a bottom view thereof.

1 Claim, 6 Drawing Sheets



(56)

References Cited

U.S. PATENT DOCUMENTS

D612,370 S * 3/2010 Suleiman D14/234
D620,483 S * 7/2010 Conrad D14/230
7,911,406 B2 * 3/2011 Eckwielen H01Q 1/1228
343/833
8,054,237 B2 * 11/2011 Suleiman H01Q 1/12
343/808
D665,385 S * 8/2012 Conrad D14/230
D804,459 S * 12/2017 Feit D14/230
D809,490 S * 2/2018 Feit D14/230
D815,073 S * 4/2018 Feit D14/230
2004/0066345 A1 4/2004 Schadler

OTHER PUBLICATIONS

“15 Best Outdoor Antennas of 2018,” posted by Johnny Snap, online, no post date, <URL: <https://snapgoods.com/best-outdoor-antennas/>>, retrieved Oct. 23, 2018.*

Winegard Sensar RV antenna (Winegard Co., Burlington, Iowa—current photo of prior art antenna).

Winegard FreeVision antenna (Winegard Co., Burlington, Iowa—current photo of prior art antenna on packaging).

* cited by examiner

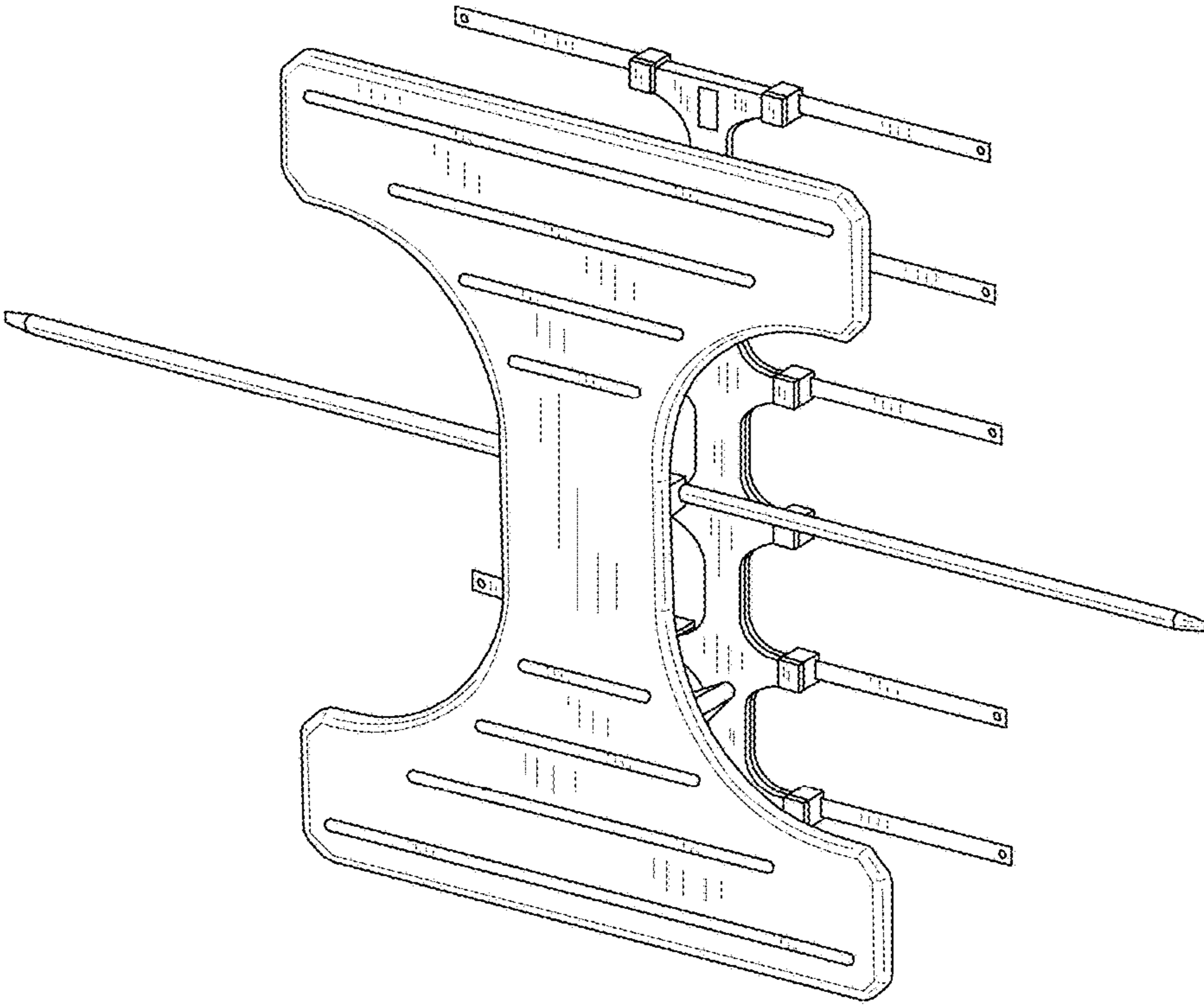


FIG.1

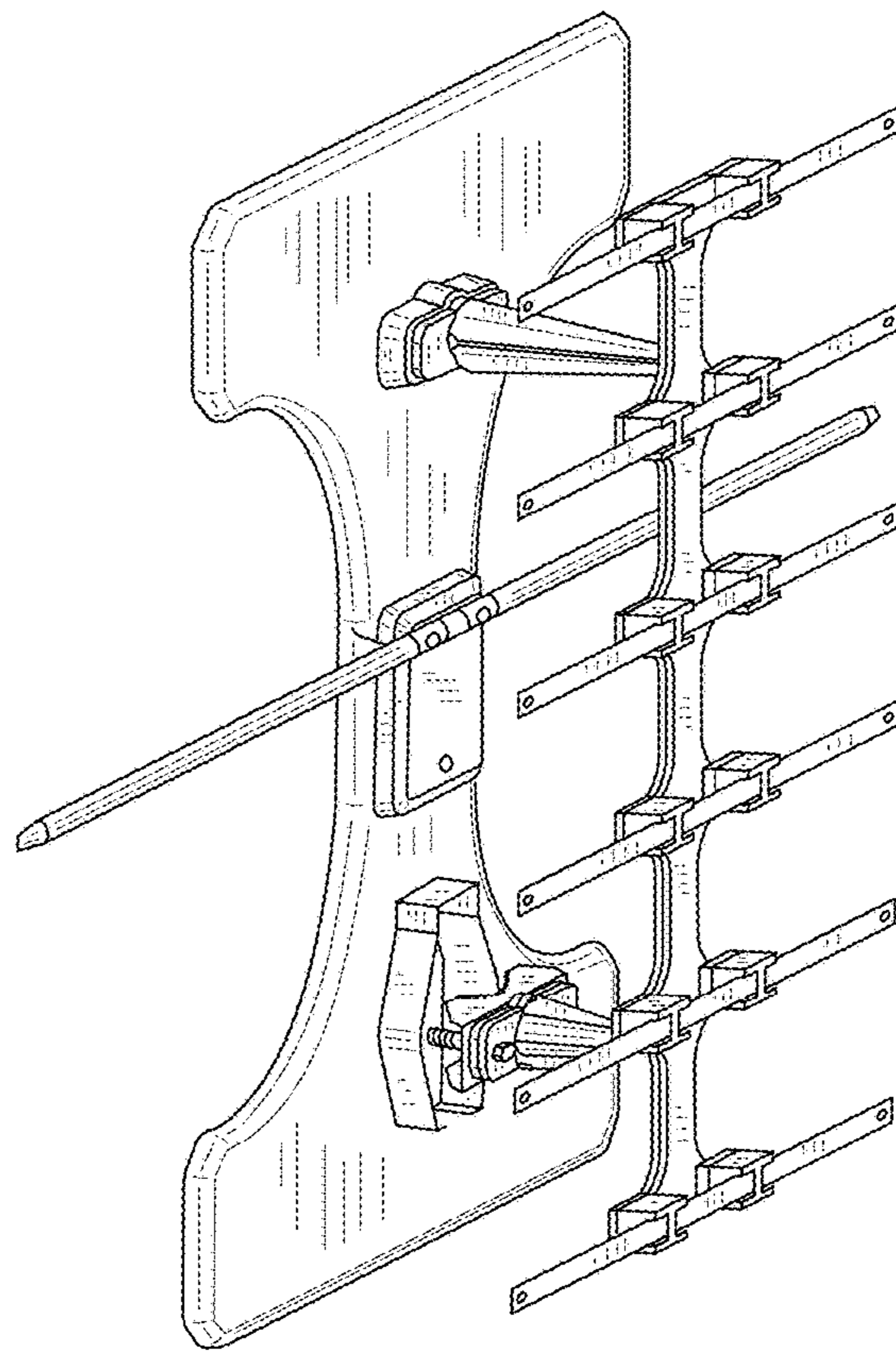


FIG.2

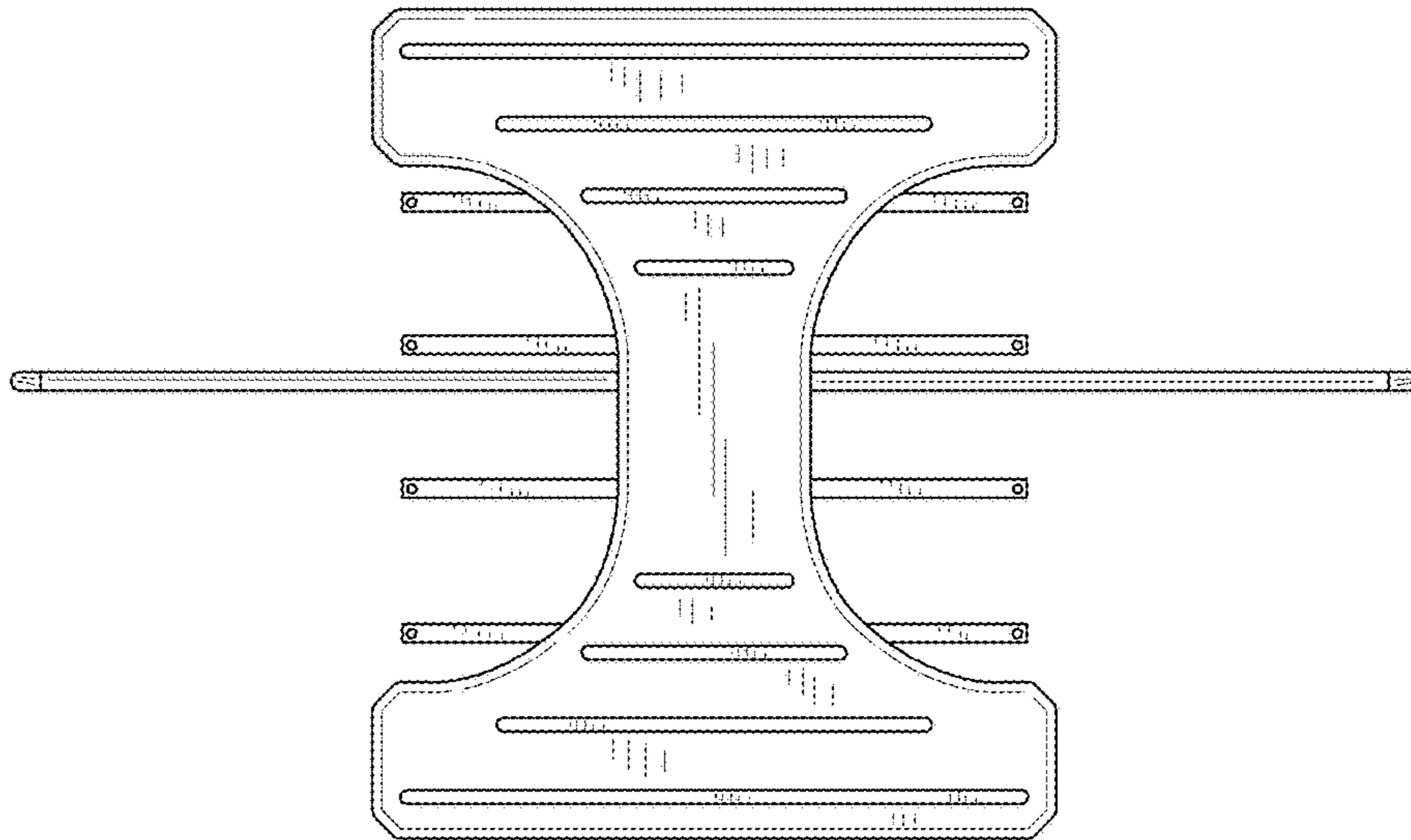


FIG.3

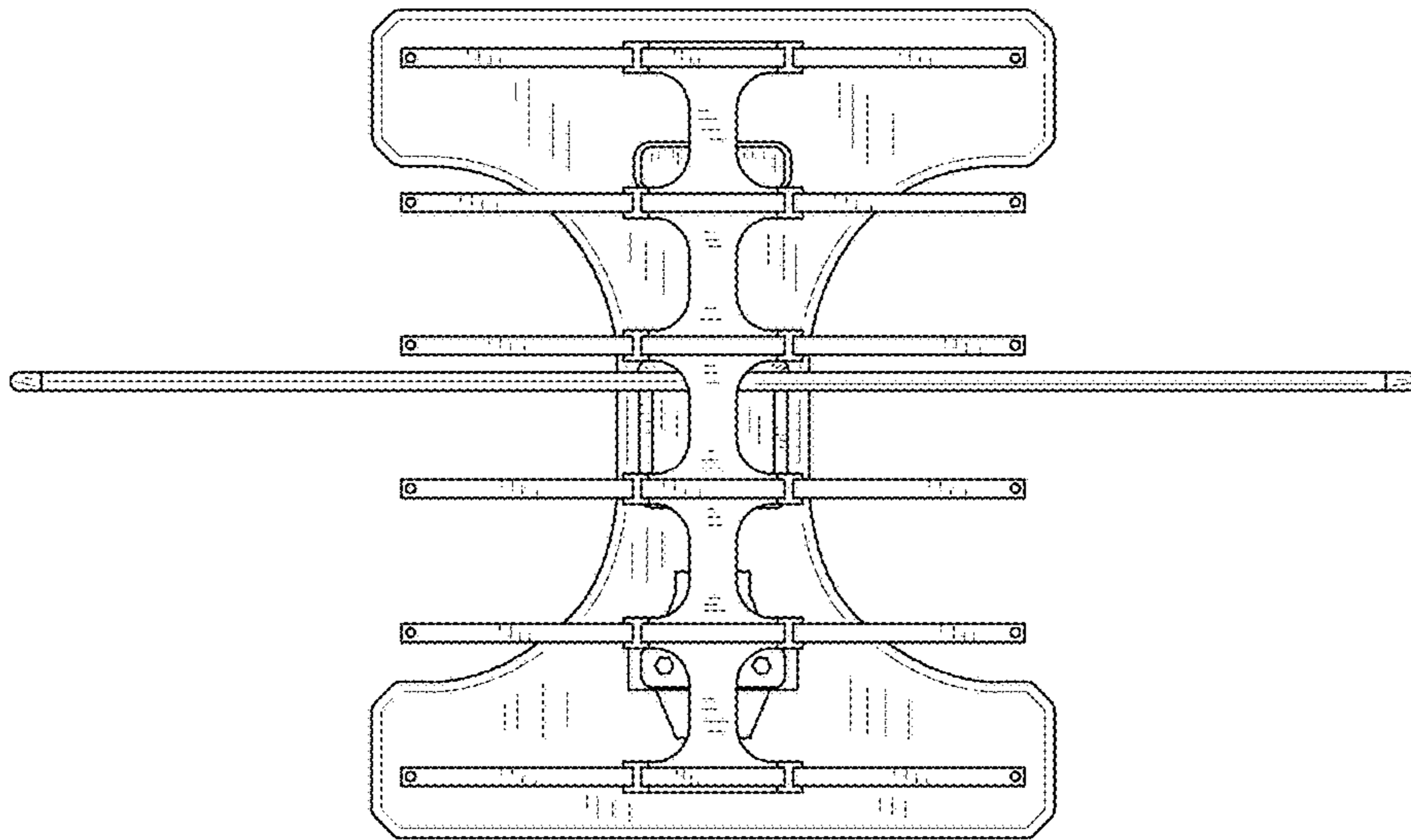


FIG.4

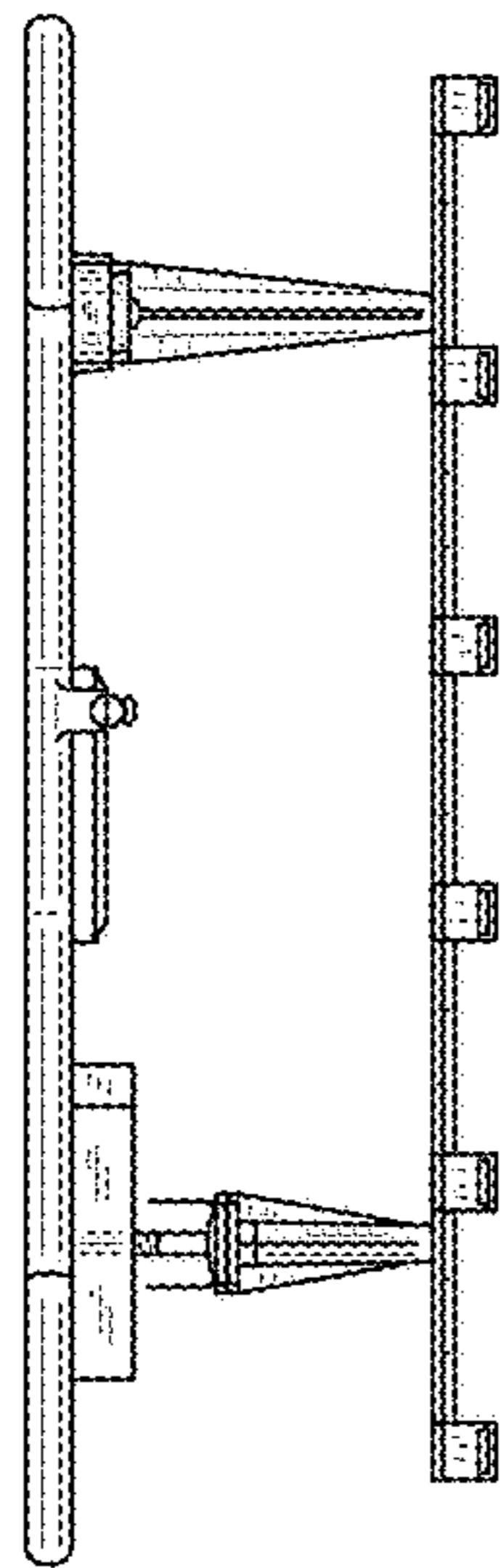


FIG.5

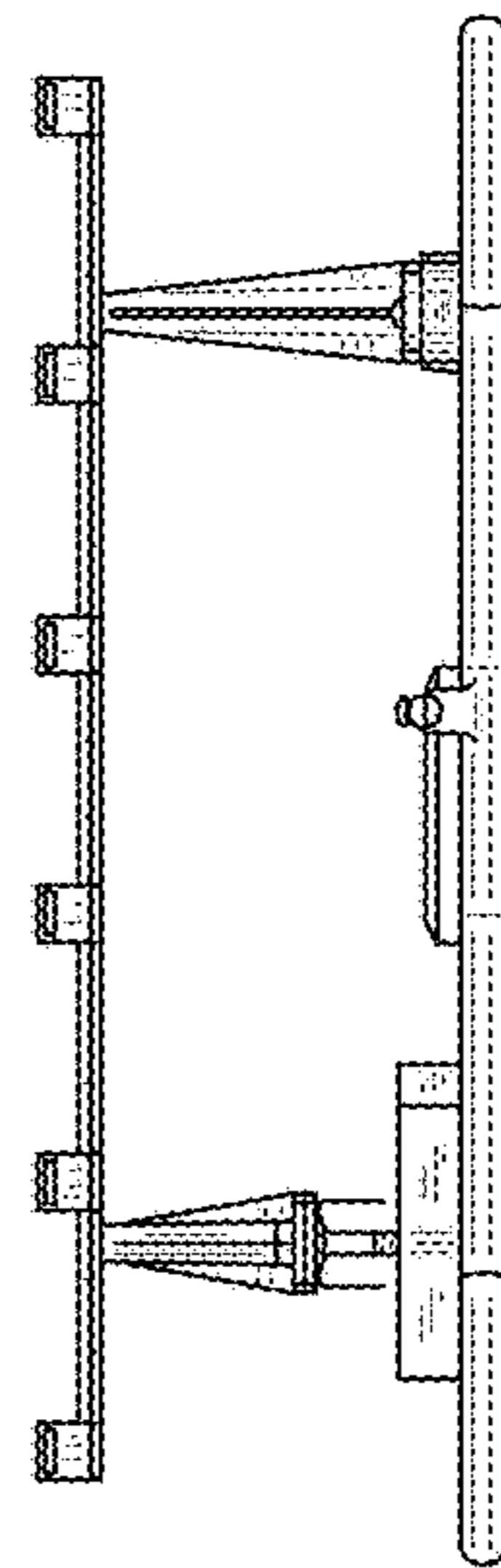


FIG.6

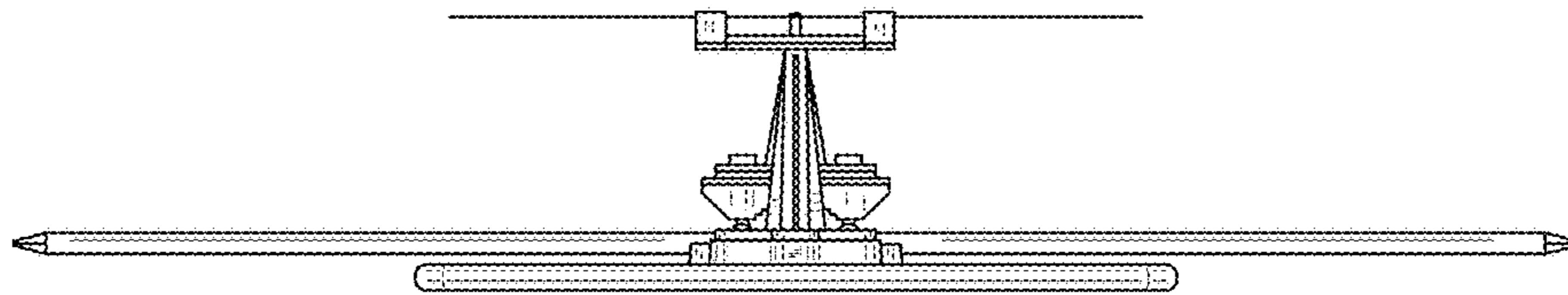


FIG. 7

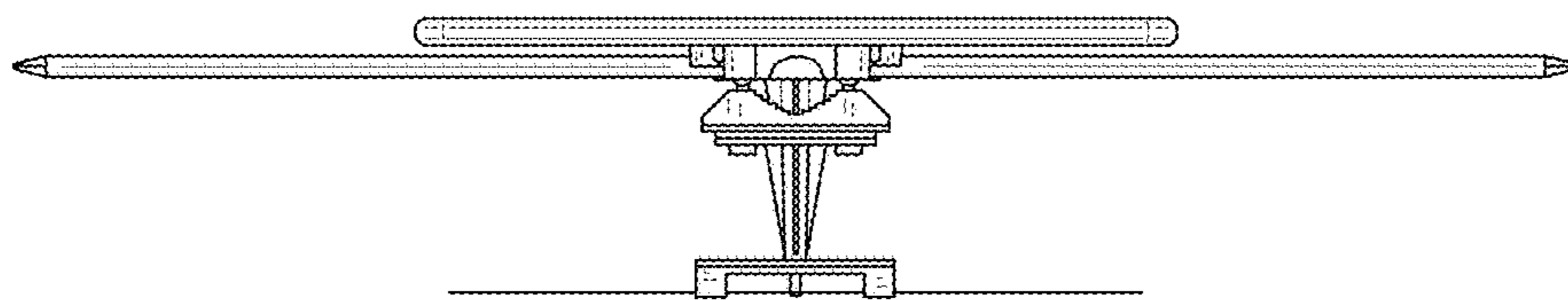


FIG. 8