

US00D842280S

(12) **United States Design Patent** (10) **Patent No.:** **US D842,280 S**
Montgomery (45) **Date of Patent:** **** Mar. 5, 2019**

- (54) **ANTENNA**
- (71) Applicant: **Airgain Incorporated**, San Diego, CA (US)
- (72) Inventor: **Mark Montgomery**, Melbourne Beach, FL (US)
- (73) Assignee: **Airgain Incorporated**, San Diego, CA (US)
- (**) Term: **15 Years**
- (21) Appl. No.: **29/606,669**
- (22) Filed: **Jun. 7, 2017**
- (51) **LOC (11) Cl.** **14-03**
- (52) **U.S. Cl.**
USPC **D14/230**
- (58) **Field of Classification Search**
USPC D14/230-238, 203.6, 204, 216, 221, D14/238.1, 240, 242, 299, 343, 358, 509; D13/182
CPC H01Q 7/00; H01Q 13/10; H01Q 9/285; H01Q 19/30; H01Q 19/12; H01Q 1/36; H01Q 1/38; H01Q 1/0475; H01Q 1/034; H05K 11/00; G05D 1/0234; G06K 19/07749
See application file for complete search history.

- (56) **References Cited**
U.S. PATENT DOCUMENTS
- | | | | |
|-----------|----|---------|-------------------|
| 7,061,437 | B2 | 6/2006 | Lin et al. |
| 7,148,849 | B2 | 12/2006 | Lin |
| 7,215,296 | B2 | 5/2007 | Abramov et al. |
| D546,821 | S | 7/2007 | Oliver |
| D549,696 | S | 8/2007 | Oshima et al. |
| 7,333,067 | B2 | 2/2008 | Hung et al. |
| 7,336,959 | B2 | 2/2008 | Khitrik et al. |
| D573,589 | S | 7/2008 | Montgomery et al. |
| 7,405,704 | B1 | 8/2008 | Lin et al. |

- | | | | |
|-----------|-----|---------|--------------------------|
| 7,477,195 | B2 | 1/2009 | Vance |
| D588,585 | S * | 3/2009 | Montgomery D14/230 |
| D588,586 | S * | 3/2009 | Montgomery D14/230 |
| D592,195 | S | 5/2009 | Wu et al. |
| 7,570,215 | B2 | 8/2009 | Abramov et al. |
| D599,334 | S | 9/2009 | Chiang |
| D606,053 | S | 12/2009 | Wu et al. |
| D607,442 | S | 1/2010 | Su et al. |
| D608,769 | S | 1/2010 | Bufe |
| D612,368 | S | 3/2010 | Yang et al. |
| 7,705,783 | B2 | 4/2010 | Rao et al. |
| 7,729,662 | B2 | 6/2010 | Abramov et al. |
| D621,819 | S | 8/2010 | Tsai et al. |
| 7,843,390 | B2 | 11/2010 | Liu |
| D633,483 | S | 3/2011 | Su et al. |
| D635,127 | S | 3/2011 | Tsai et al. |
| 7,907,971 | B2 | 3/2011 | Salo et al. |
| D635,560 | S | 4/2011 | Tsai et al. |

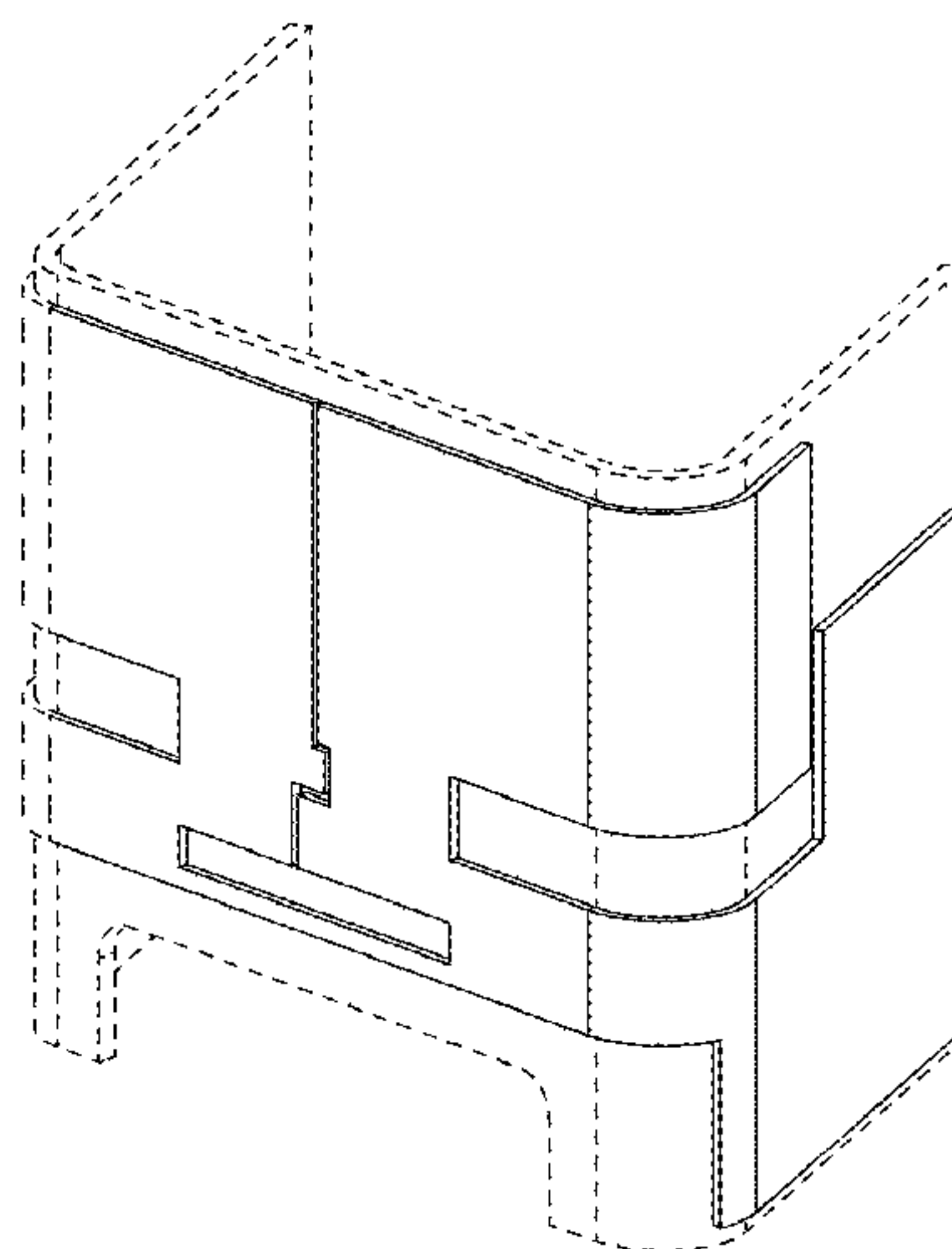
(Continued)

Primary Examiner — Jeffrey D Asch
Assistant Examiner — Rebekah A Caruso
(74) *Attorney, Agent, or Firm* — Clause Eight IPS; Michael Catania

(57) **CLAIM**
The ornamental design for an antenna, as shown and described.

DESCRIPTION
FIG. 1 is a front elevation view of an antenna; FIG. 2 is a side elevation view thereof; FIG. 3 is a bottom plan view thereof; FIG. 4 is a top plan view thereof; FIG. 5 is a rear elevation view thereof; and, FIG. 6 is a top perspective view thereof.
The dot-dash broken lines, and the broken lines immediately adjacent to the surfaces of the claim in the top and bottom views, indicate the bounds of the claim. All other broken lines are directed to environment. The broken lines form no part of the claimed invention.

1 Claim, 6 Drawing Sheets



(56)

References Cited

U.S. PATENT DOCUMENTS

D635,963 S	4/2011	Podduturi	D703,195 S	4/2014	Zheng
D635,964 S	4/2011	Podduturi	D703,196 S	4/2014	Zheng
D635,965 S	4/2011	Mi et al.	D706,247 S	6/2014	Zheng et al.
D636,382 S	4/2011	Podduturi	D706,750 S	6/2014	Bringuir
7,965,242 B2	6/2011	Abramov et al.	D706,751 S	6/2014	Chang et al.
D649,962 S	12/2011	Tseng et al.	D708,602 S	7/2014	Gosalia et al.
D651,198 S	12/2011	Mi et al.	D709,053 S	7/2014	Chang et al.
D654,059 S	2/2012	Mi et al.	D710,832 S	8/2014	Yang
D654,060 S	2/2012	Ko et al.	D710,833 S	8/2014	Zheng et al.
D658,639 S	5/2012	Huang et al.	8,854,265 B1	10/2014	Yang et al.
D659,129 S	5/2012	Mi et al.	D716,775 S	11/2014	Bidermann
D659,685 S	5/2012	Huang et al.	9,432,070 B2	8/2016	Mercer
D659,688 S	5/2012	Huang et al.	D767,542 S *	9/2016	Chang D14/230
8,175,036 B2	5/2012	Visuri et al.	D786,840 S *	5/2017	He D14/230
8,184,601 B2	5/2012	Abramov et al.	D793,997 S *	8/2017	Podduturi D14/230
D662,916 S	7/2012	Huang et al.	D801,957 S *	11/2017	He D14/230
8,248,970 B2	8/2012	Abramov et al.	D815,072 S *	4/2018	Chang D14/230
D671,097 S	11/2012	Mi et al.	2002/0003499 A1	1/2002	Kouam et al.
8,310,402 B2	11/2012	Yang	2004/0222936 A1	11/2004	Hung et al.
D676,429 S	2/2013	Gosalia et al.	2005/0073462 A1	4/2005	Lin et al.
D678,255 S	3/2013	Ko et al.	2005/0190108 A1	9/2005	Lin et al.
8,423,084 B2	4/2013	Abramov et al.	2006/0208900 A1	9/2006	Tavassoli Hozouri
D684,565 S	6/2013	Wei	2007/0030203 A1	2/2007	Tsai et al.
D685,352 S	7/2013	Wei	2008/0150829 A1	6/2008	Lin et al.
D685,772 S	7/2013	Zheng et al.	2009/0002244 A1	1/2009	Woo
D686,600 S	7/2013	Yang	2009/0058739 A1	3/2009	Konishi
D689,474 S	9/2013	Yang et al.	2009/0135072 A1	5/2009	Ke et al.
D692,870 S	11/2013	He	2009/0262028 A1	10/2009	Murnbru et al.
D694,738 S	12/2013	Yang	2010/0188297 A1	7/2010	Chen et al.
D695,279 S	12/2013	Yang et al.	2010/0309067 A1	12/2010	Tsou et al.
D695,280 S	12/2013	Yang et al.	2011/0006950 A1	1/2011	Park et al.
8,654,030 B1	2/2014	Mercer	2012/0038514 A1	2/2012	Bang
			2012/0229348 A1	9/2012	Chiang
			2012/0242546 A1	9/2012	Hu et al.

* cited by examiner

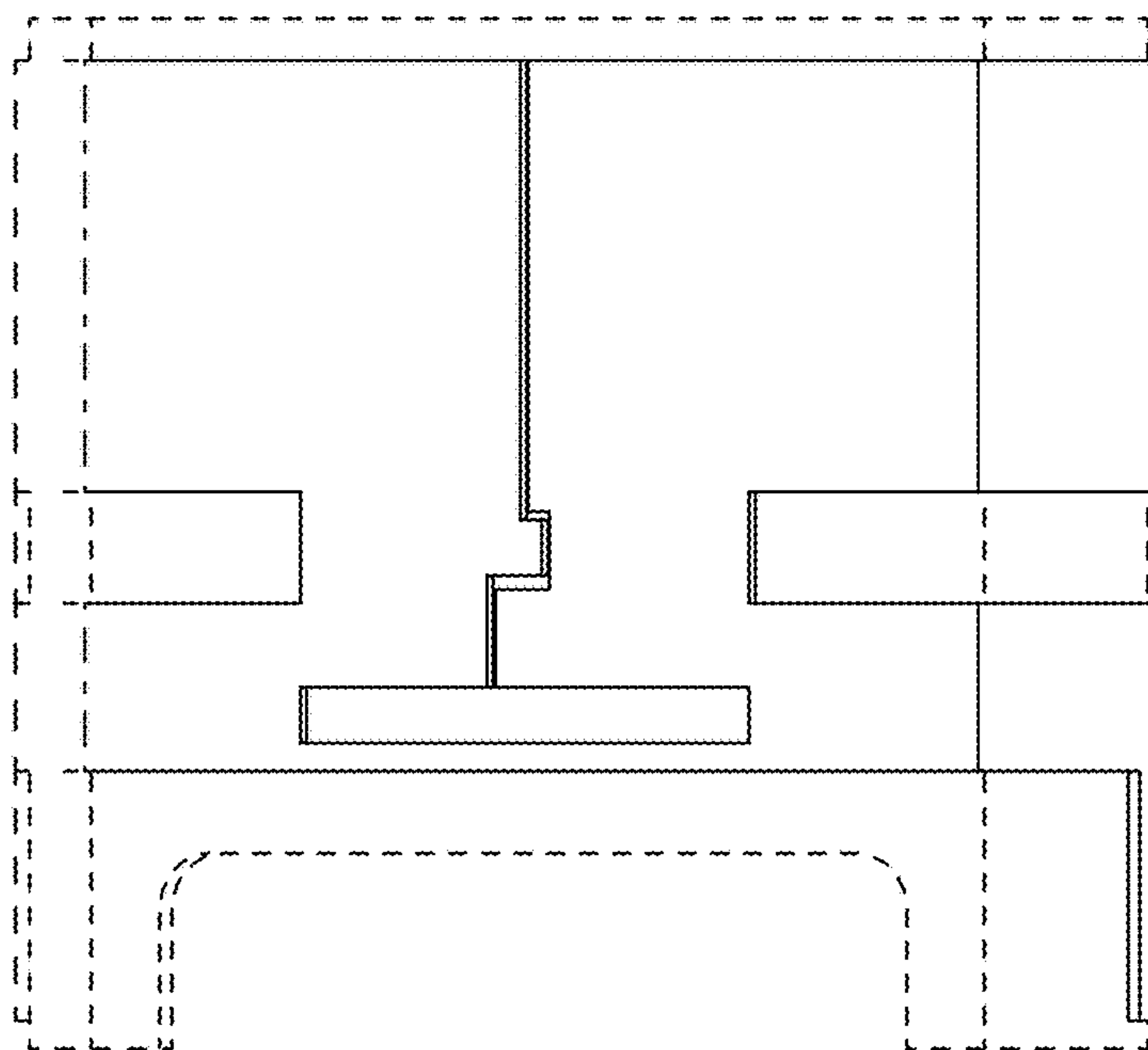


FIG. 1

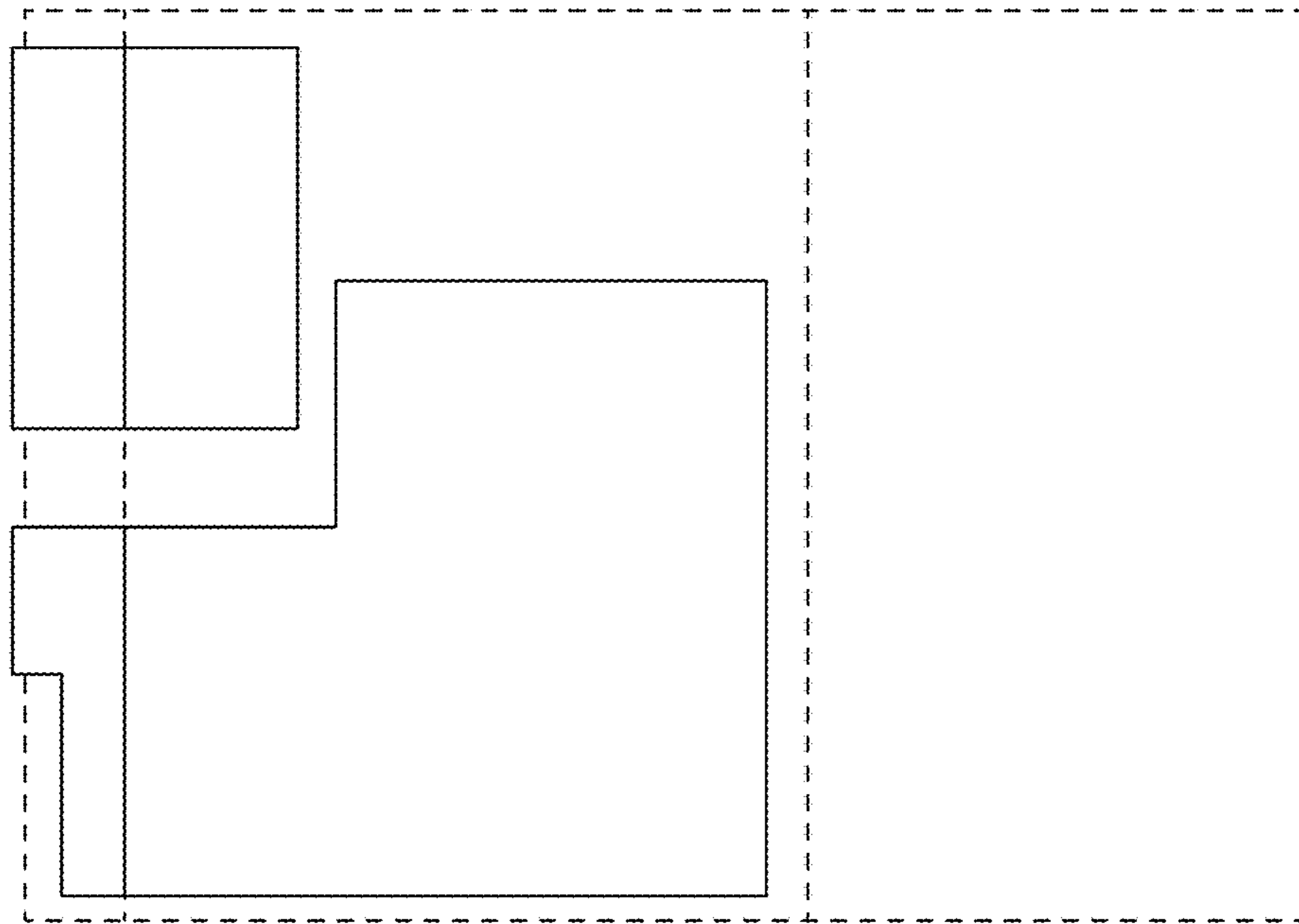


FIG. 2

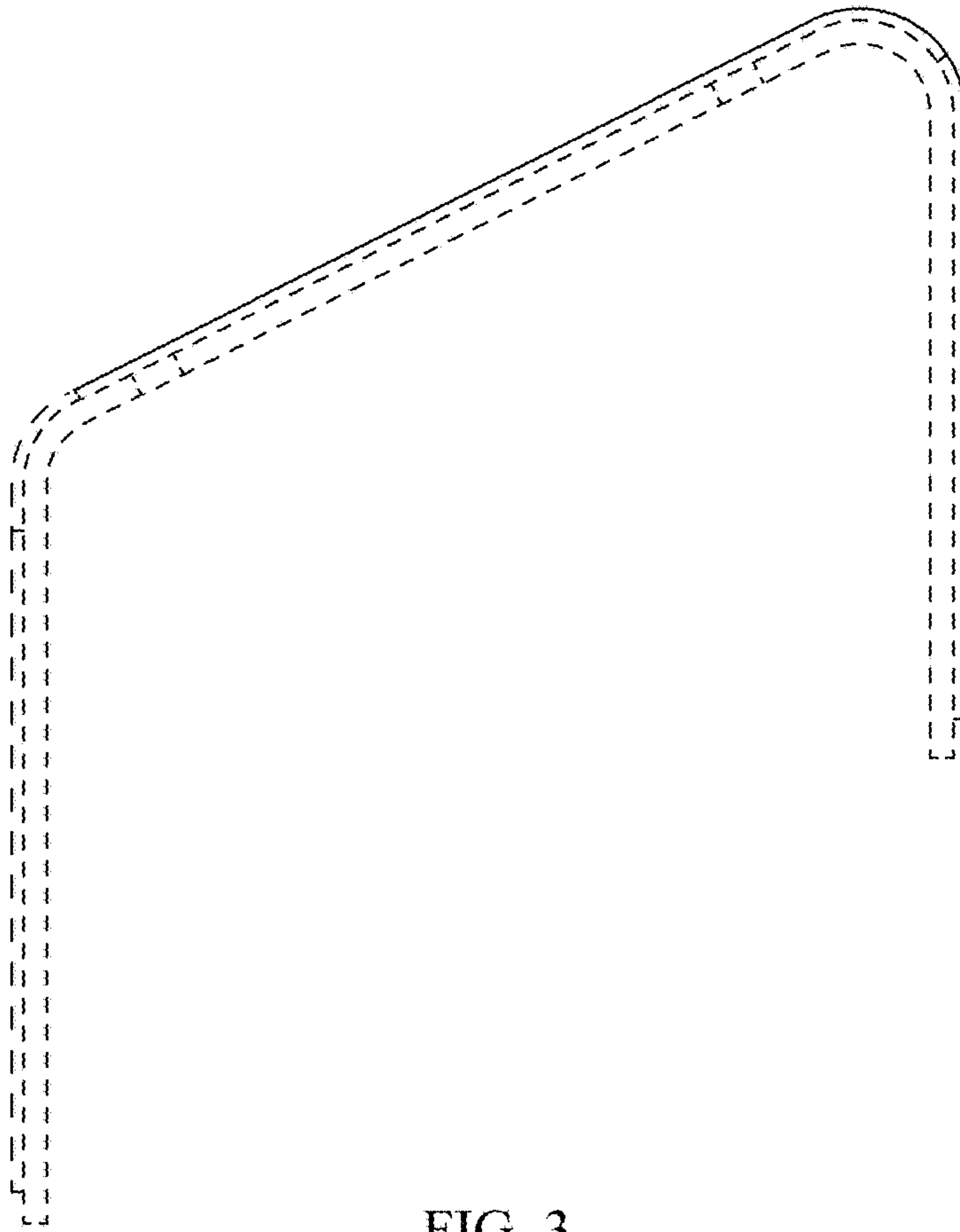


FIG. 3

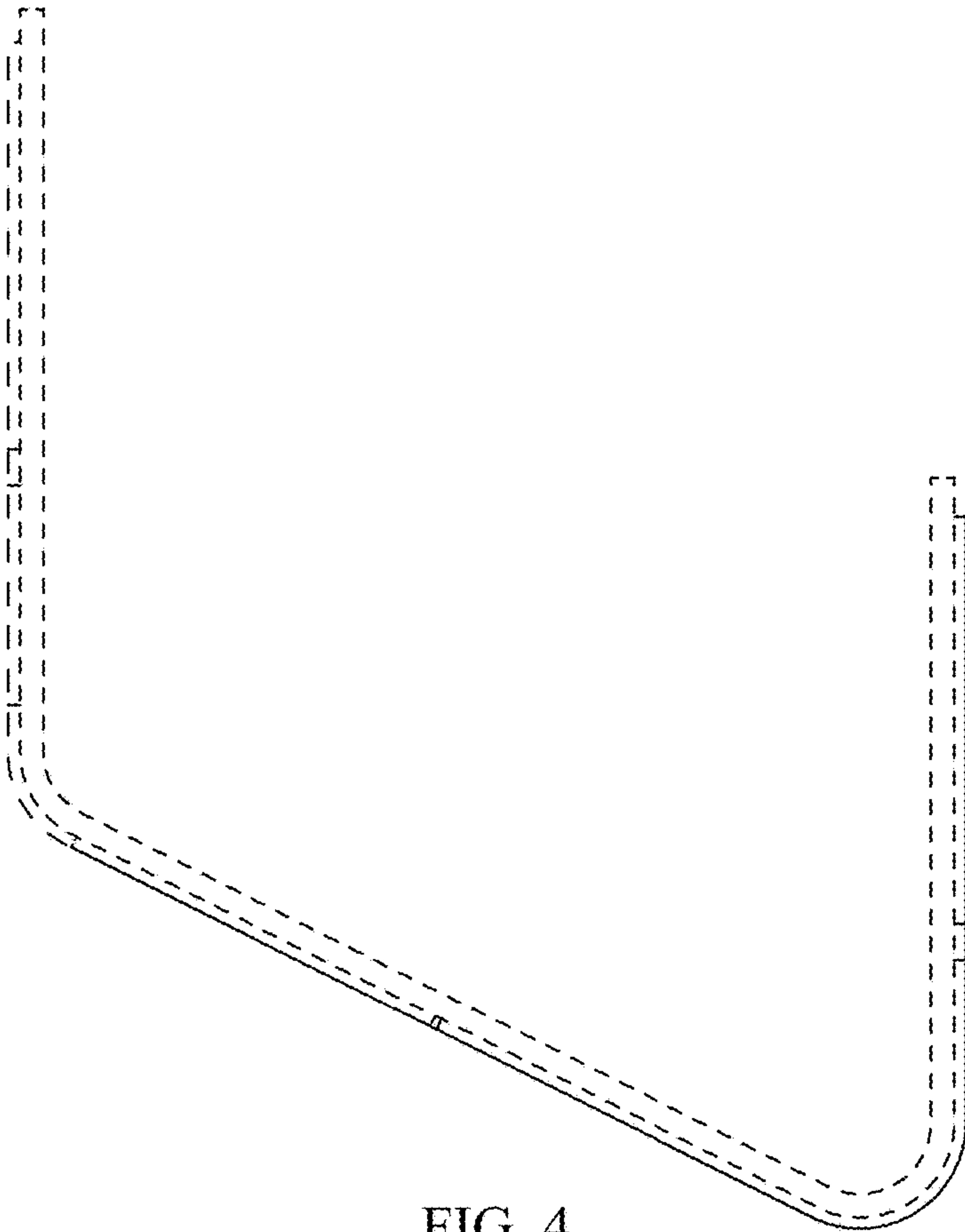


FIG. 4

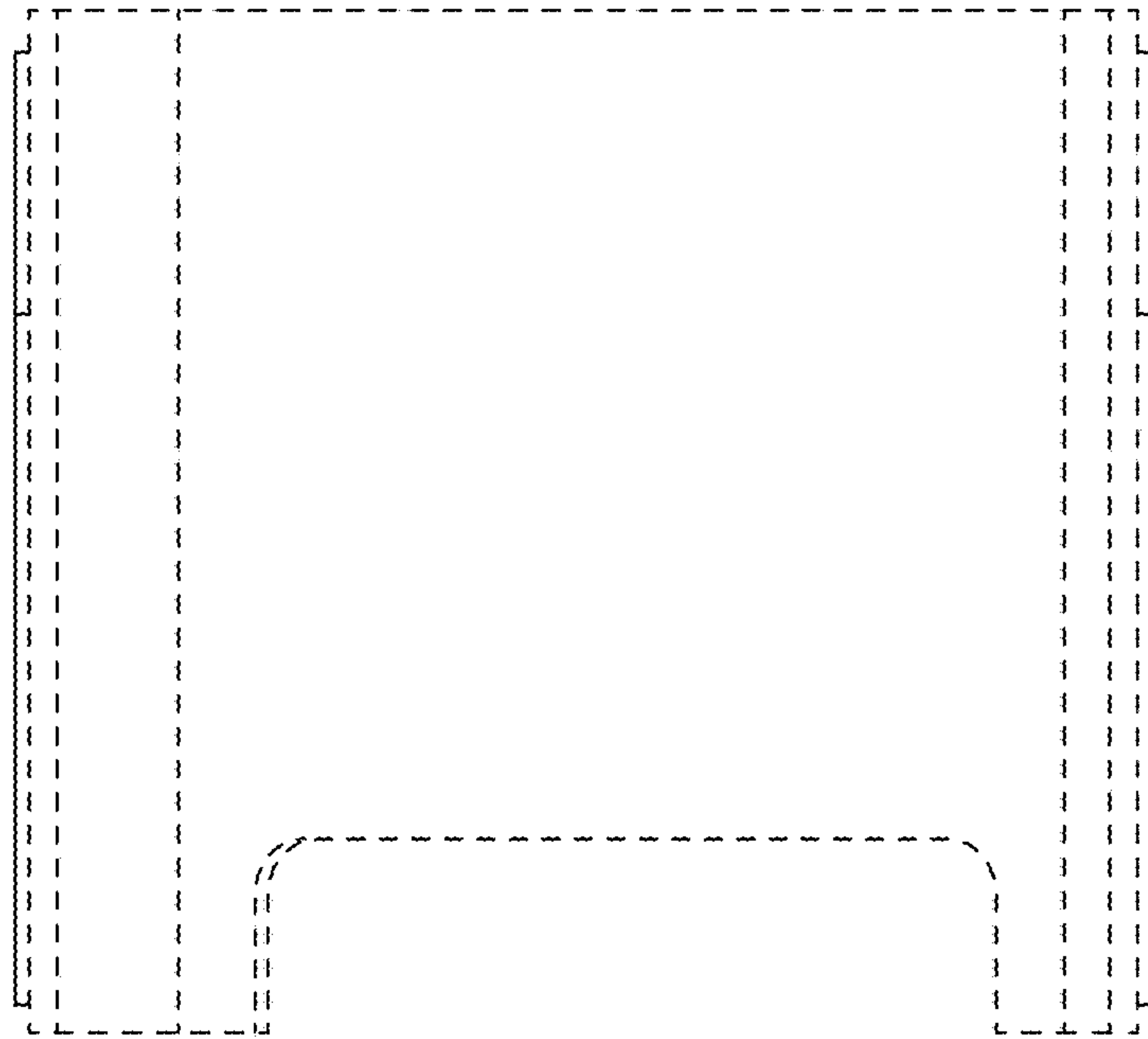


FIG. 5

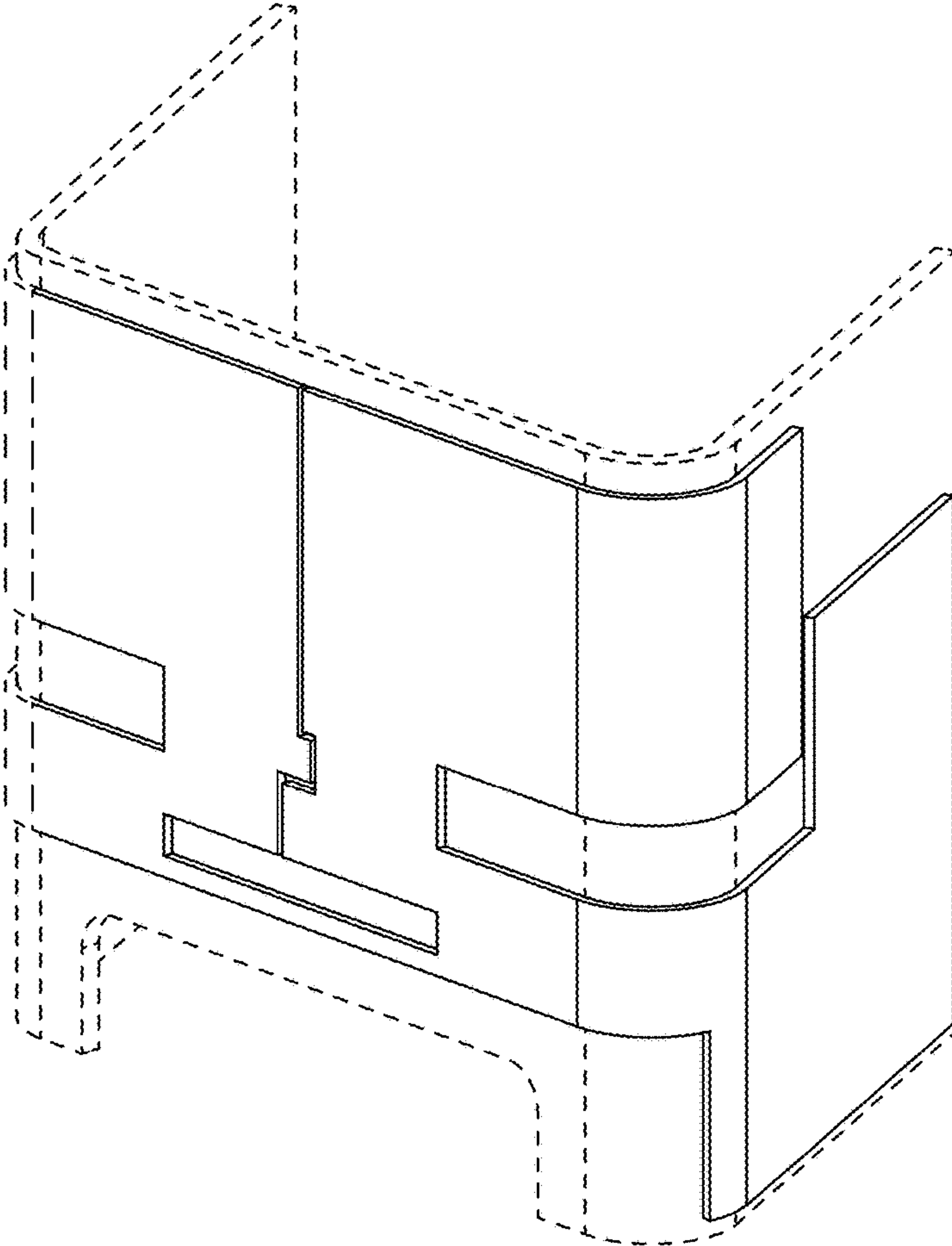


FIG. 6