



US00D842278S

(12) **United States Design Patent**
Tong

(10) **Patent No.:** **US D842,278 S**

(45) **Date of Patent:** **** Mar. 5, 2019**

(54) **MICROPHONE**
(71) Applicant: **RAZER (ASIA-PACIFIC) PTE. LTD.**,
Singapore (SG)
(72) Inventor: **Ien Yu Tong**, Johor (MY)
(73) Assignee: **RAZER (ASIA-PACIFIC) PTE. LTD.**,
Singapore (SG)
(**) Term: **15 Years**

4,383,487 A * 5/1983 Fitzner A47F 5/04
108/150
D309,266 S * 7/1990 Kaneko D10/15
D529,484 S * 10/2006 Probst D14/228
D594,856 S * 6/2009 Marshall D14/228
D603,849 S * 11/2009 Durrett D14/228
D604,274 S * 11/2009 Durrett D14/228
D704,168 S * 5/2014 Godfrey D14/225
D737,253 S * 8/2015 Henricksen D14/228
D766,303 S * 9/2016 Anzures D14/486
D818,538 S * 5/2018 Mantis D19/189
D826,003 S * 8/2018 Seiders D7/624.2

* cited by examiner

(21) Appl. No.: **29/621,898**

(22) Filed: **Oct. 12, 2017**

(51) **LOC (11) Cl.** **14-01**

(52) **U.S. Cl.**
USPC **D14/227**

(58) **Field of Classification Search**
USPC D14/224–229; D16/244; D17/99;
D6/681; 248/125.1, 166, 185.1;
381/355, 359, 361–363, 365, 366, 369,
381/375; 379/428.01, 428.04, 431,
379/433.03
CPC . H04R 25/00; H04R 1/02; H04R 5/02; H04R
9/08; F16M 11/38; F16M 13/00; F16M
11/00

See application file for complete search history.

(56) **References Cited**

U.S. PATENT DOCUMENTS

D171,055 S * 12/1953 Schell, Jr. D14/225
D233,669 S * 11/1974 Pilce D14/228

Primary Examiner — Katie Jane Stofko

(74) *Attorney, Agent, or Firm* — Polsinelli PC

(57) **CLAIM**

I claim the ornamental design for a microphone, as shown and described.

DESCRIPTION

FIG. 1 is a tilted, perspective view of a microphone, showing my new design.

FIG. 2 is a straight, perspective view thereof;

FIG. 3 is a front elevational view thereof;

FIG. 4 is a rear elevational view thereof;

FIG. 5 is a left side elevational view thereof;

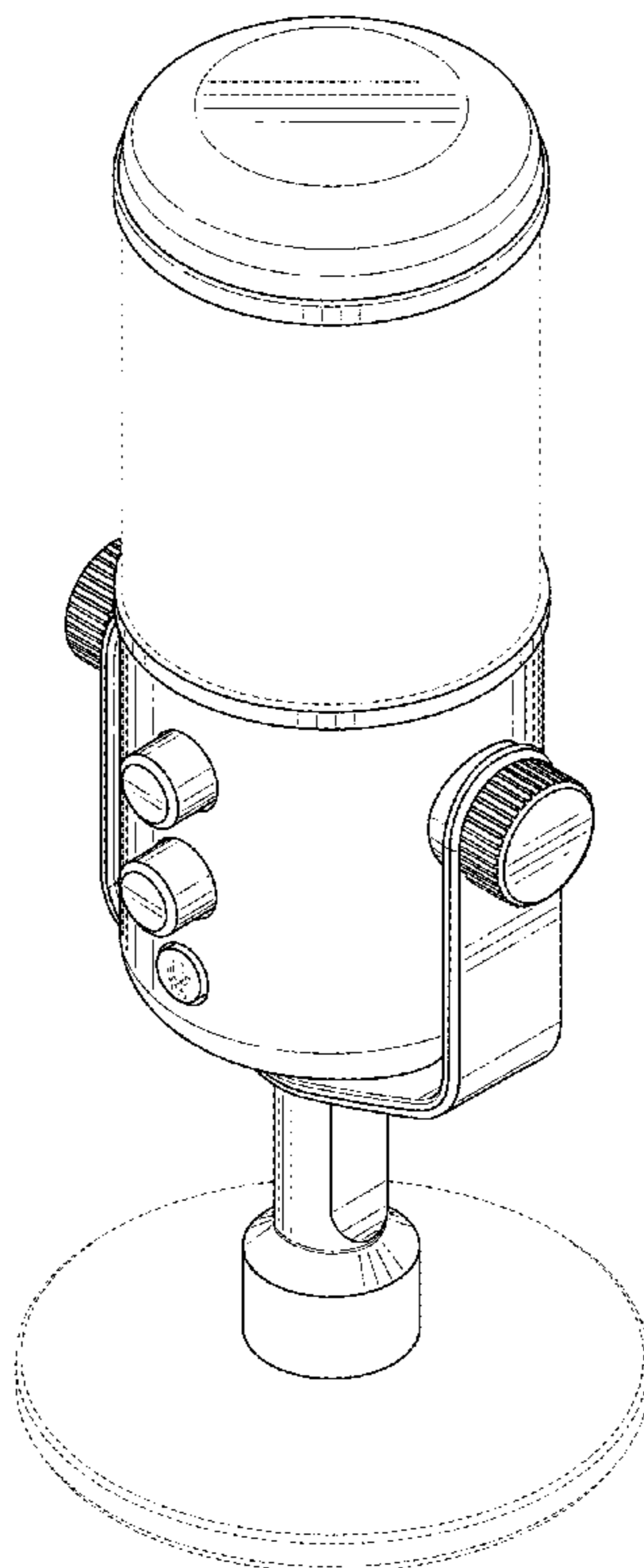
FIG. 6 is a right side elevational view thereof;

FIG. 7 is a top plan view thereof; and,

FIG. 8 is a bottom plan view thereof.

Broken lines are for illustrating portions of the microphone which form no part of the claimed design.

1 Claim, 8 Drawing Sheets



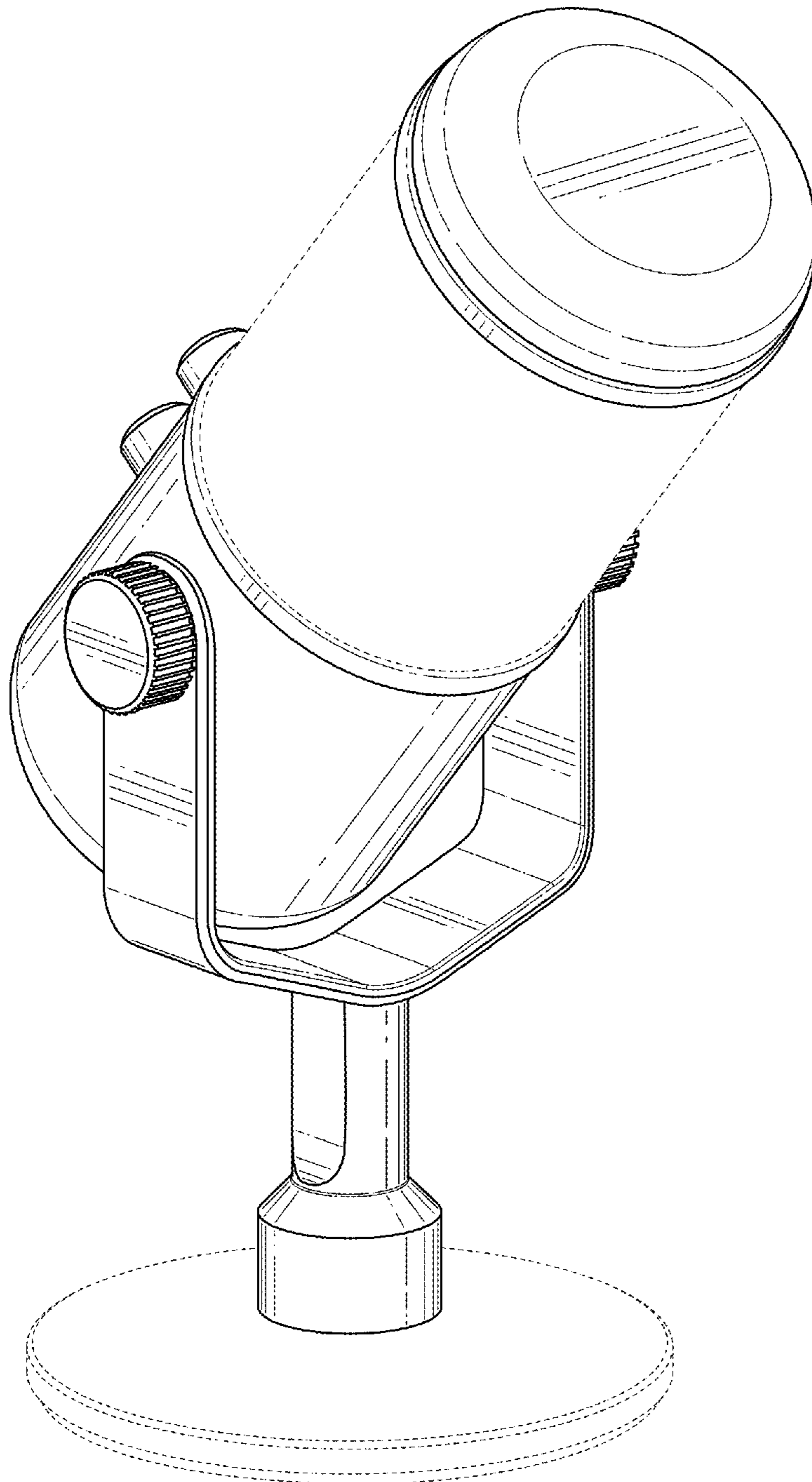


FIG. 1

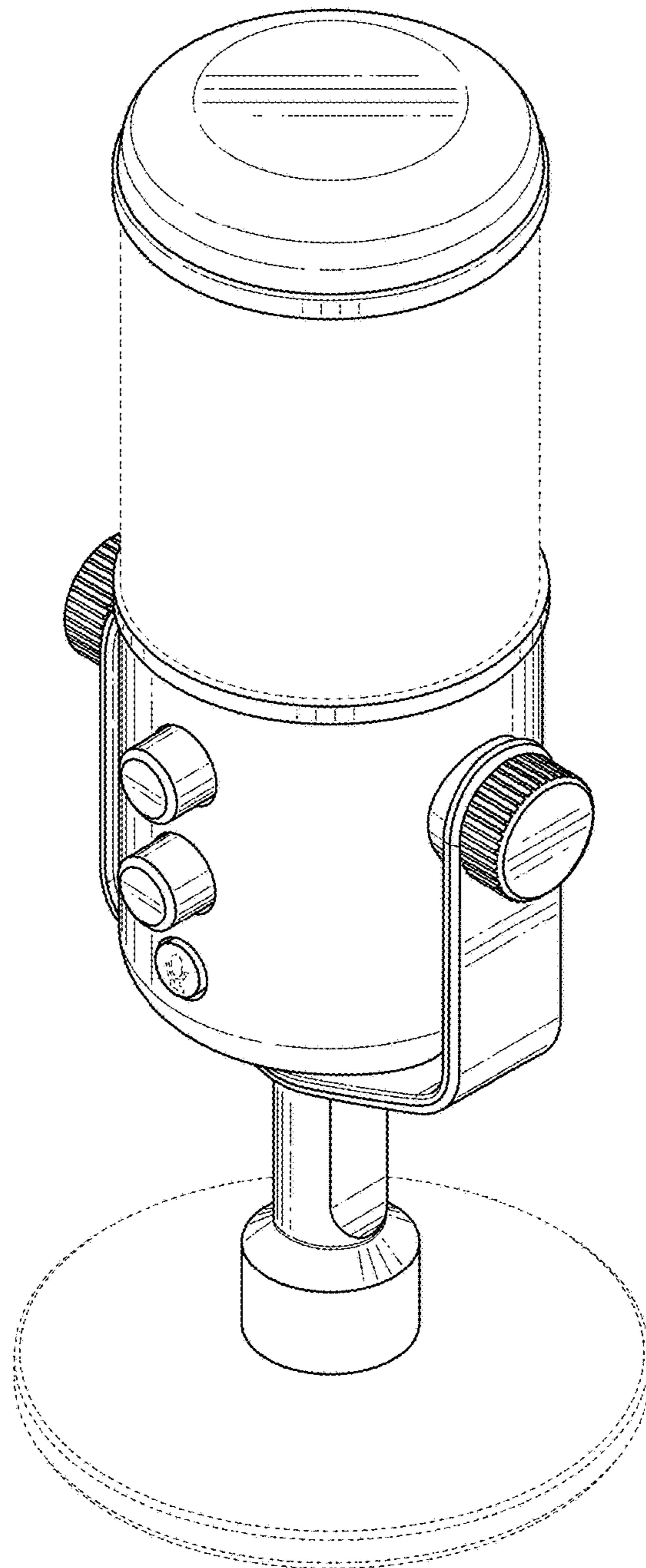


FIG. 2

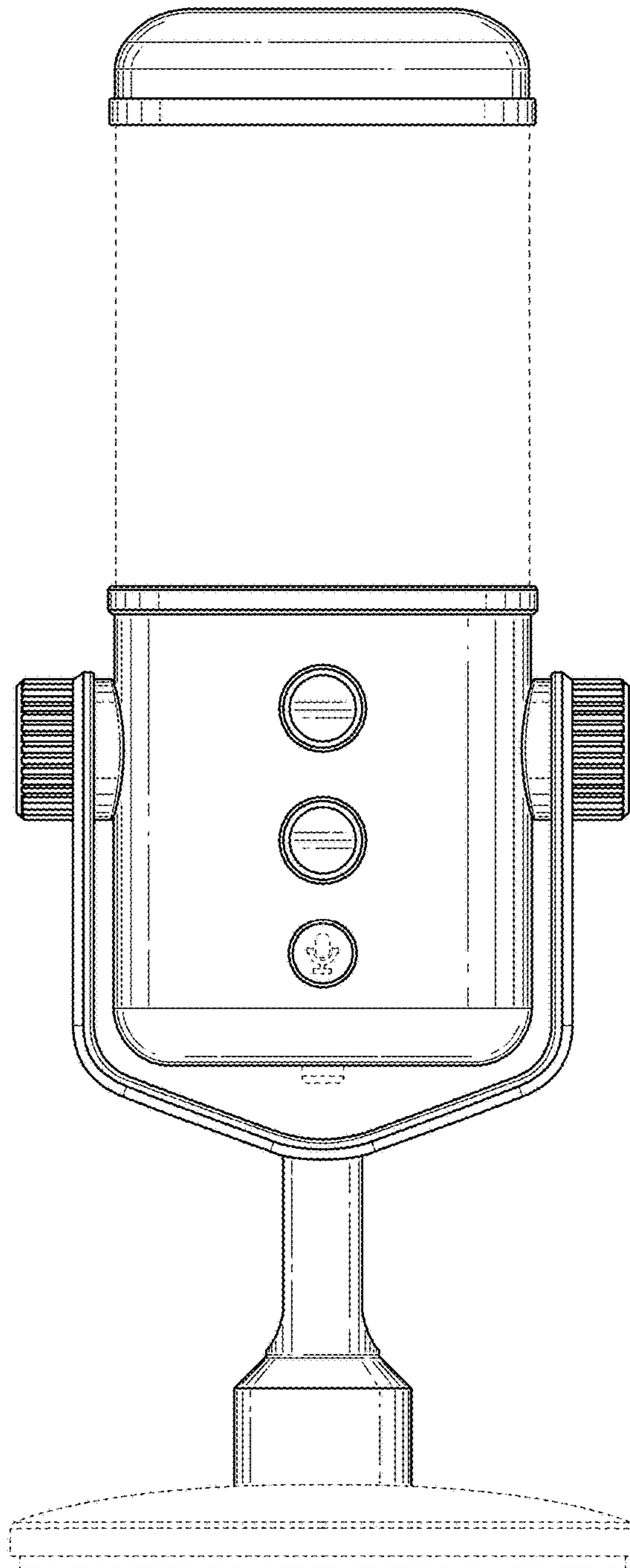


FIG. 3

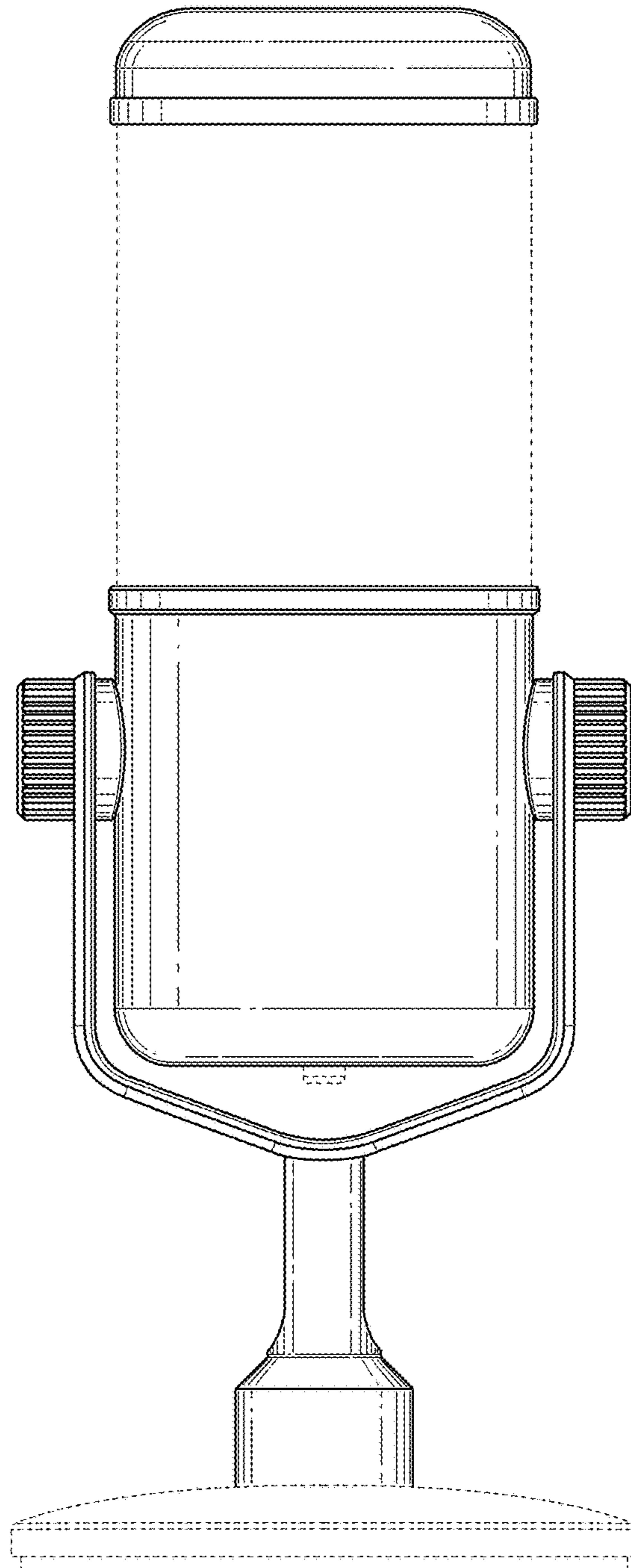


FIG. 4

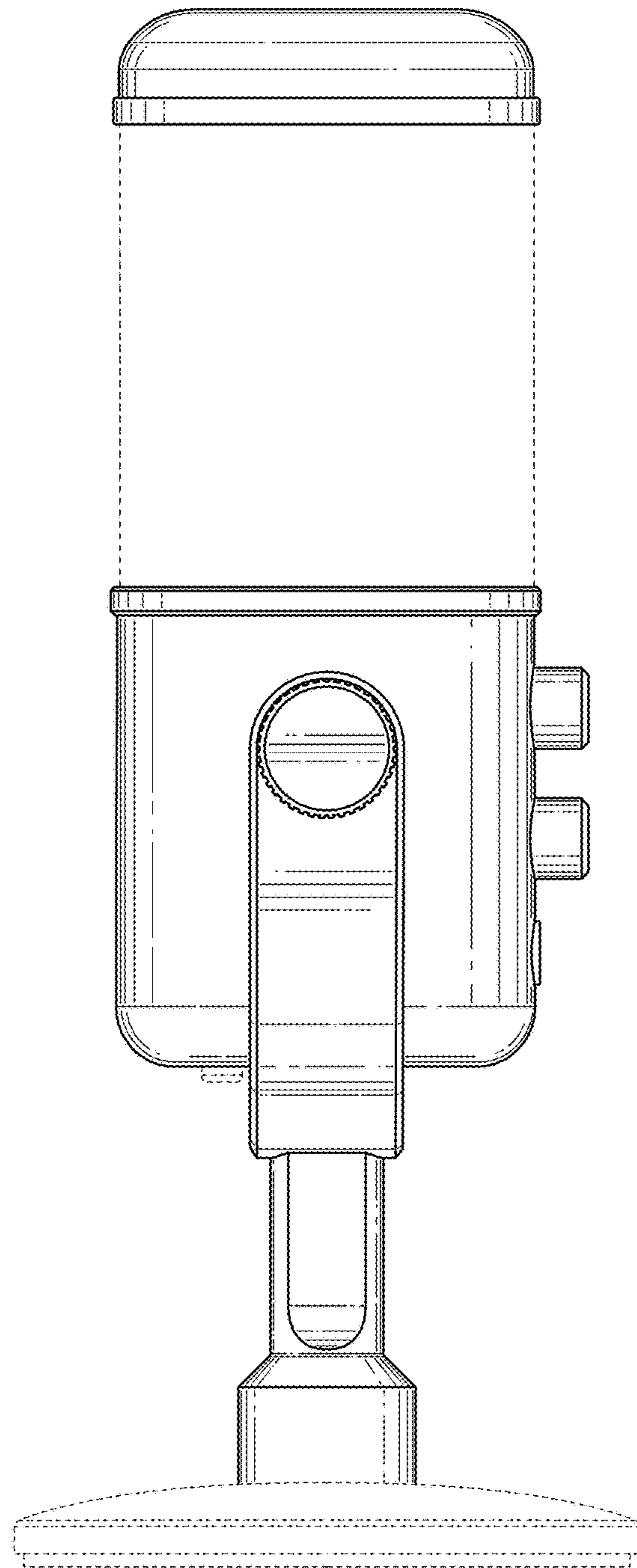


FIG. 5

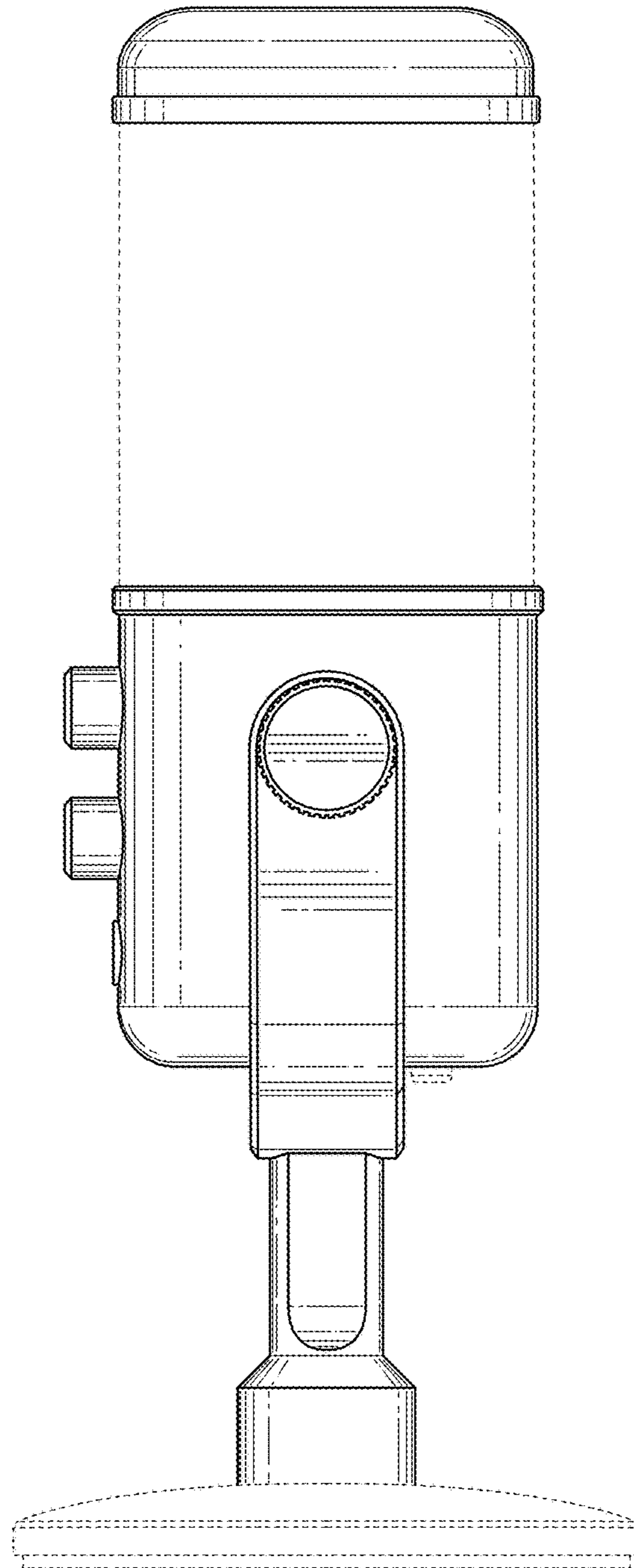


FIG. 6

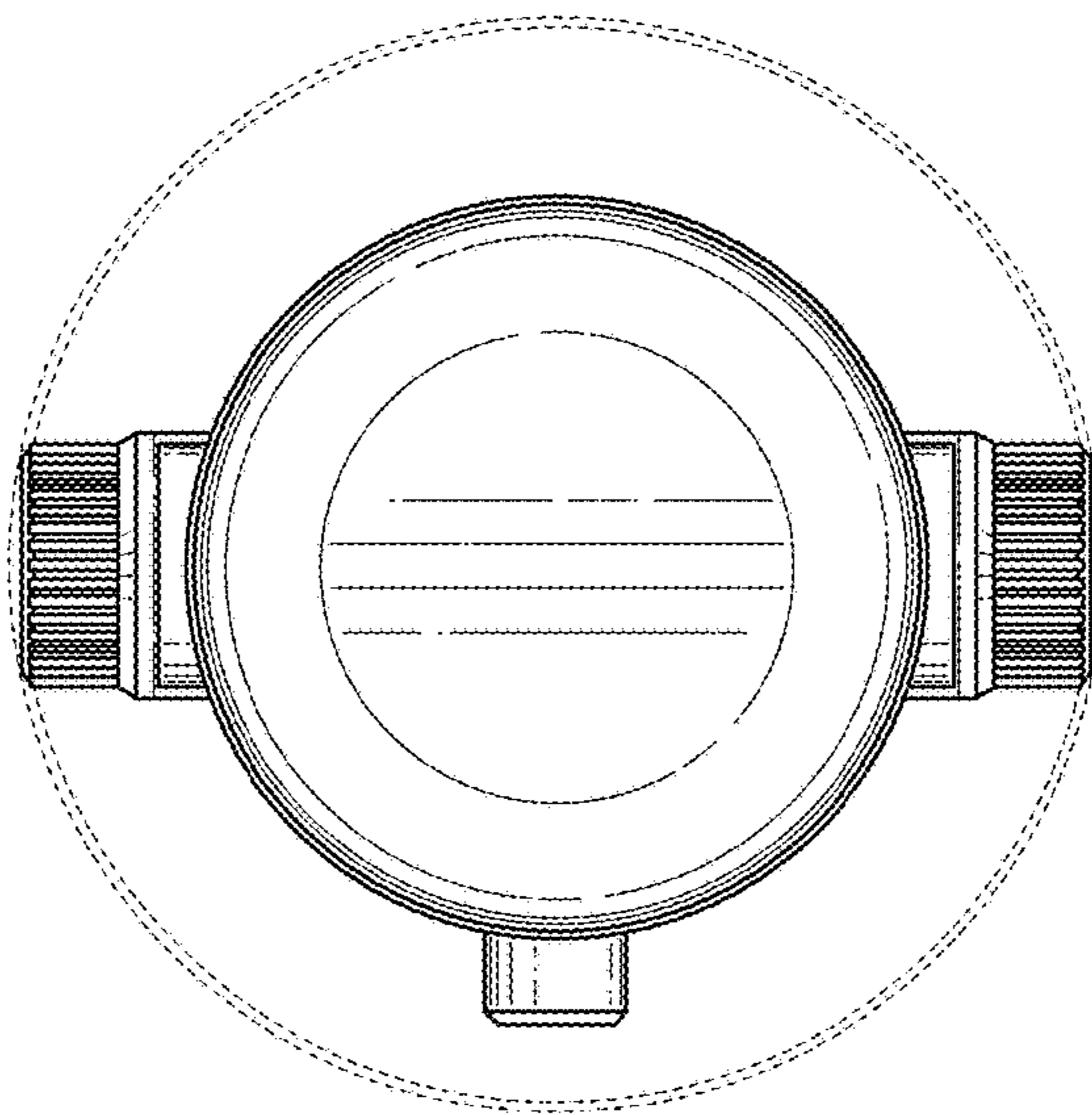


FIG. 7

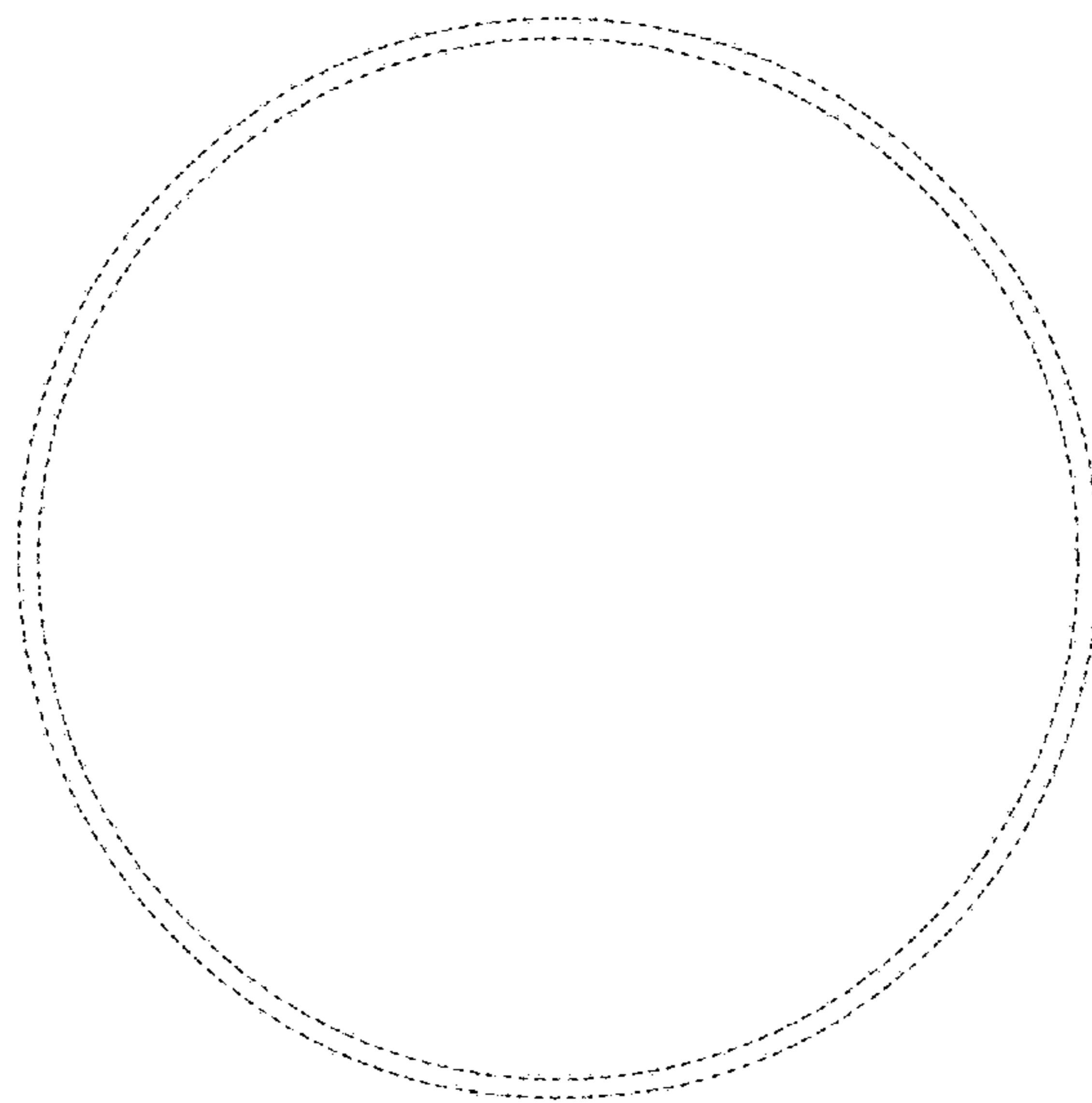


FIG. 8