



US00D842277S

(12) **United States Design Patent**
Lee

(10) **Patent No.:** **US D842,277 S**
(45) **Date of Patent:** **** Mar. 5, 2019**

(54) **EAR-MOUNTED DEVICE**

(71) Applicant: **Seung Chul Lee**, Daegu (KR)

(72) Inventor: **Seung Chul Lee**, Daegu (KR)

(**) Term: **15 Years**

(21) Appl. No.: **29/584,926**

(22) Filed: **Nov. 18, 2016**

(51) **LOC (11) Cl.** **14-01**

(52) **U.S. Cl.**
USPC **D14/223**

(58) **Field of Classification Search**
USPC ... D14/169, 188, 195, 203.6, 216, 243, 265;
D29/112
CPC H04R 1/1066; H04R 1/1016; H04R 25/00;
H04R 1/10; H04R 5/0335; H04R 5/033
See application file for complete search history.

(56) **References Cited**

U.S. PATENT DOCUMENTS

D463,791 S	*	10/2002	Nagai	D14/205
D469,081 S	*	1/2003	Perszyk	D14/205
D508,485 S	*	8/2005	Katsumata	D14/205
D564,500 S	*	3/2008	Wang	D14/205
D568,301 S	*	5/2008	Kim	D14/205
D586,329 S	*	2/2009	Birger	D14/205
D590,813 S	*	4/2009	Bradford	D14/205
D598,895 S	*	8/2009	Bentley	D14/206
D601,126 S	*	9/2009	Christopher	D14/206

D603,372 S	*	11/2009	Bentley	D14/206
D612,835 S	*	3/2010	Yang	D14/206
D634,300 S	*	3/2011	Yang	D14/206
D635,962 S	*	4/2011	Kelley	D14/206
D681,003 S	*	4/2013	Ham	D14/206
RE44,672 E	*	12/2013	Yang	D14/206
D699,213 S	*	2/2014	Burgett	D14/205
D711,851 S	*	8/2014	Houghton	D14/206
D734,303 S	*	7/2015	Kanou	D14/206
D746,260 S	*	12/2015	Goransson	D14/206

* cited by examiner

Primary Examiner — Michael A. Pratt

(74) *Attorney, Agent, or Firm* — Paratus Law Group, PLLC

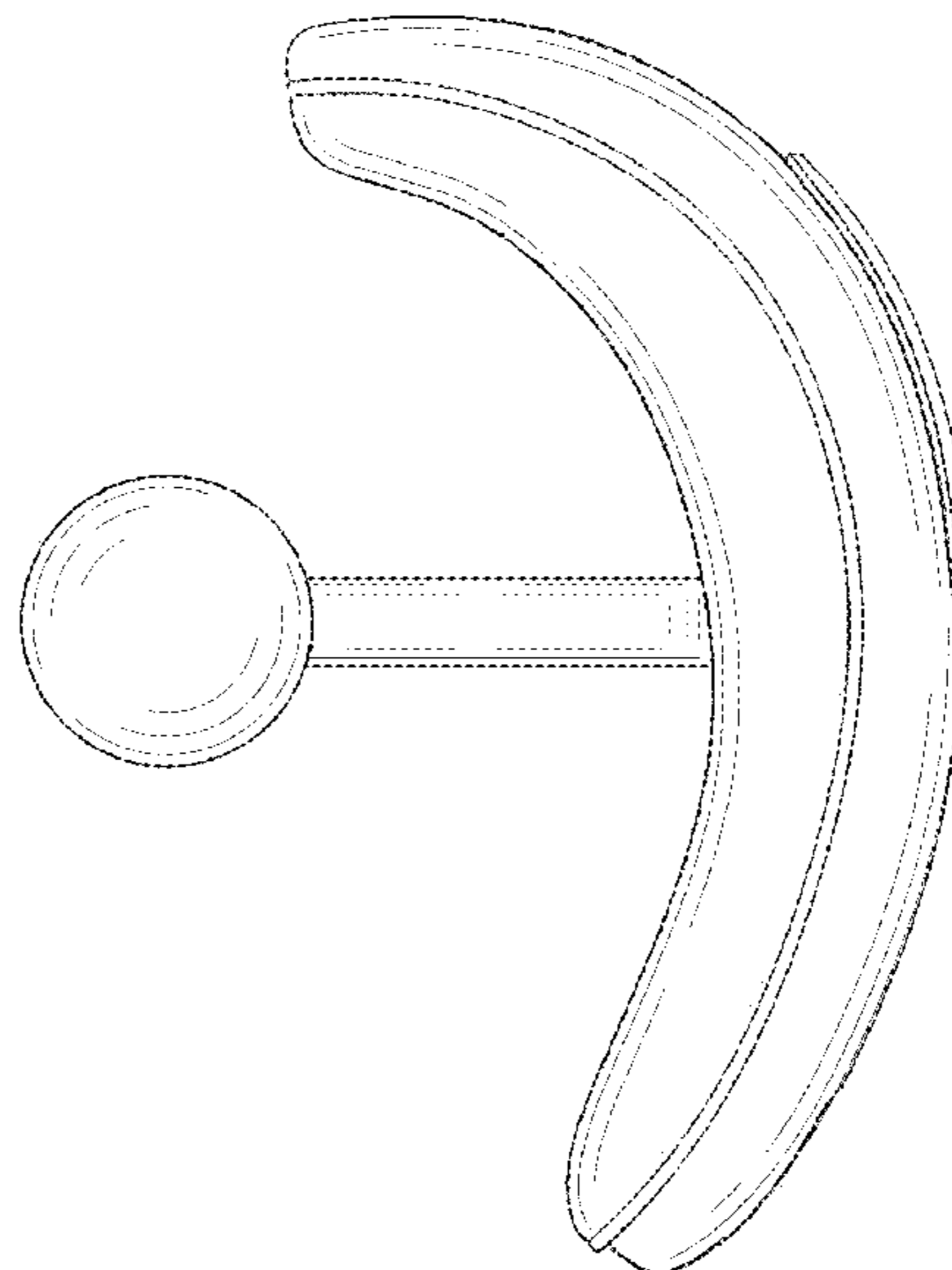
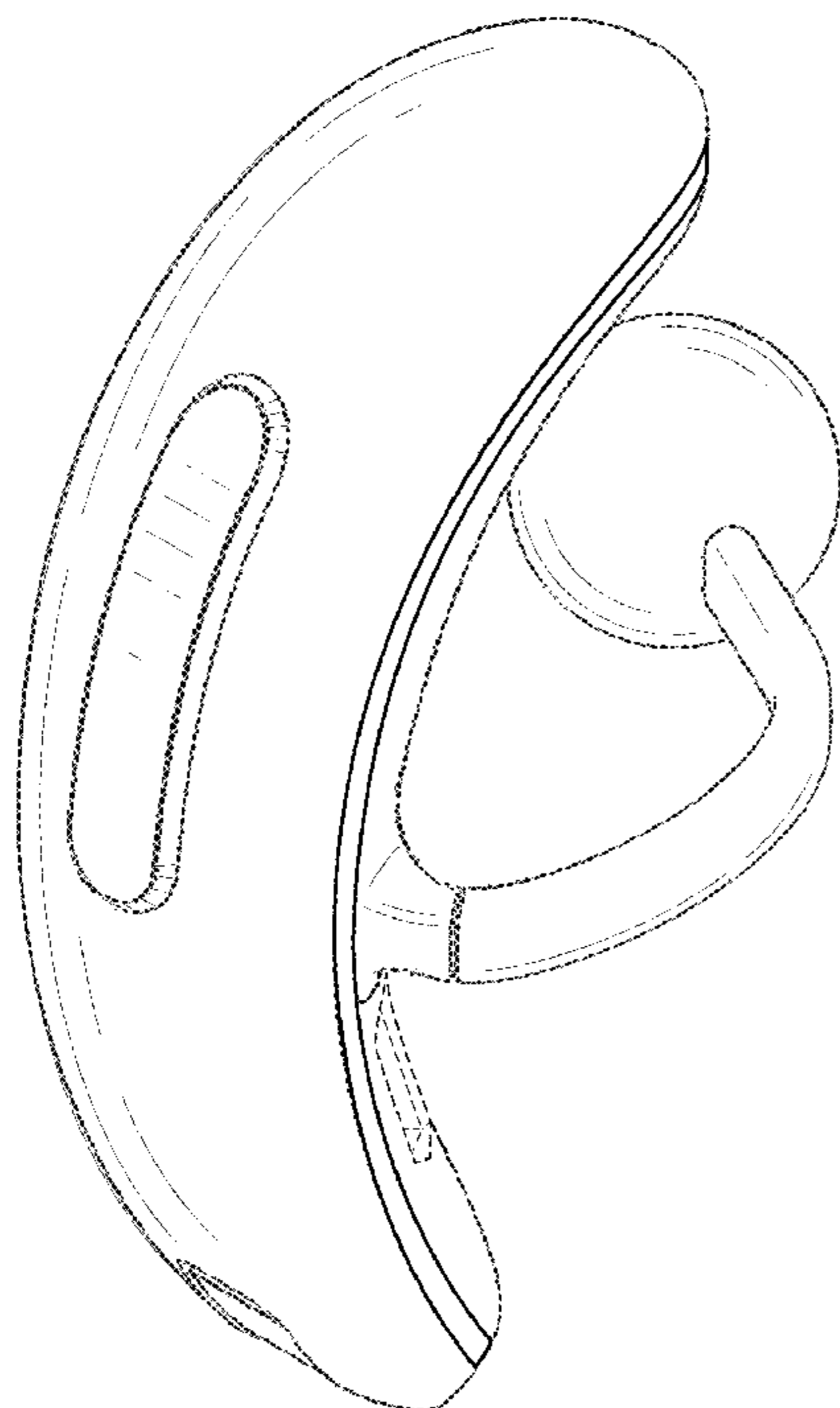
(57) **CLAIM**

The ornamental design for an ear-mounted device, as shown and described.

DESCRIPTION

FIG. 1 is a front, right-side perspective view of the ear-mounted device;
FIG. 2 is a front elevational view thereof;
FIG. 3 is a top plan view thereof;
FIG. 4 is a right-side elevational view thereof;
FIG. 5 is a left-side elevational view thereof;
FIG. 6 is a rear elevational view thereof; and,
FIG. 7 is a bottom plan view thereof.
The broken lines depict unclaimed parts of the ear-mounted device, and thus from no part of the claimed design.

1 Claim, 7 Drawing Sheets



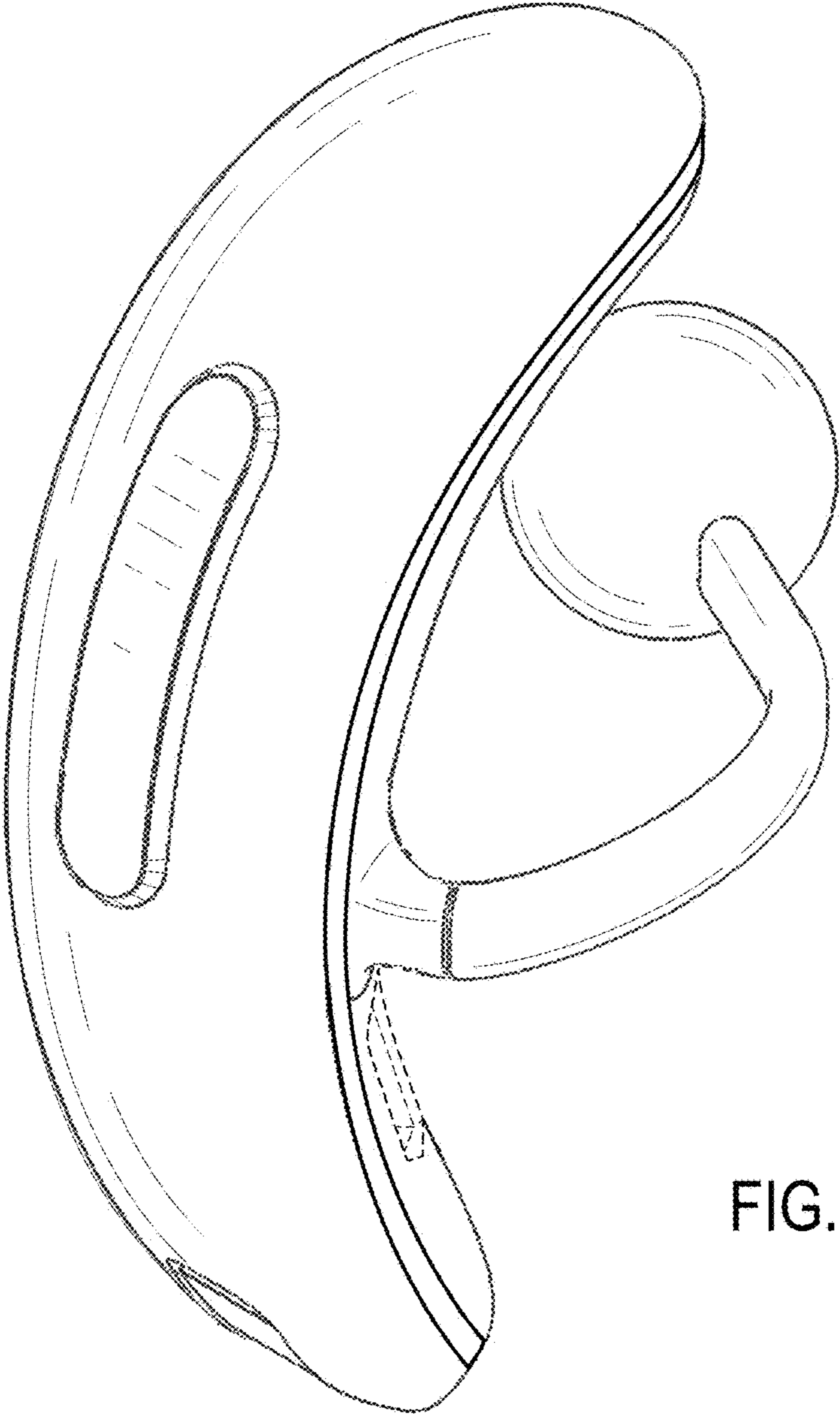


FIG. 1

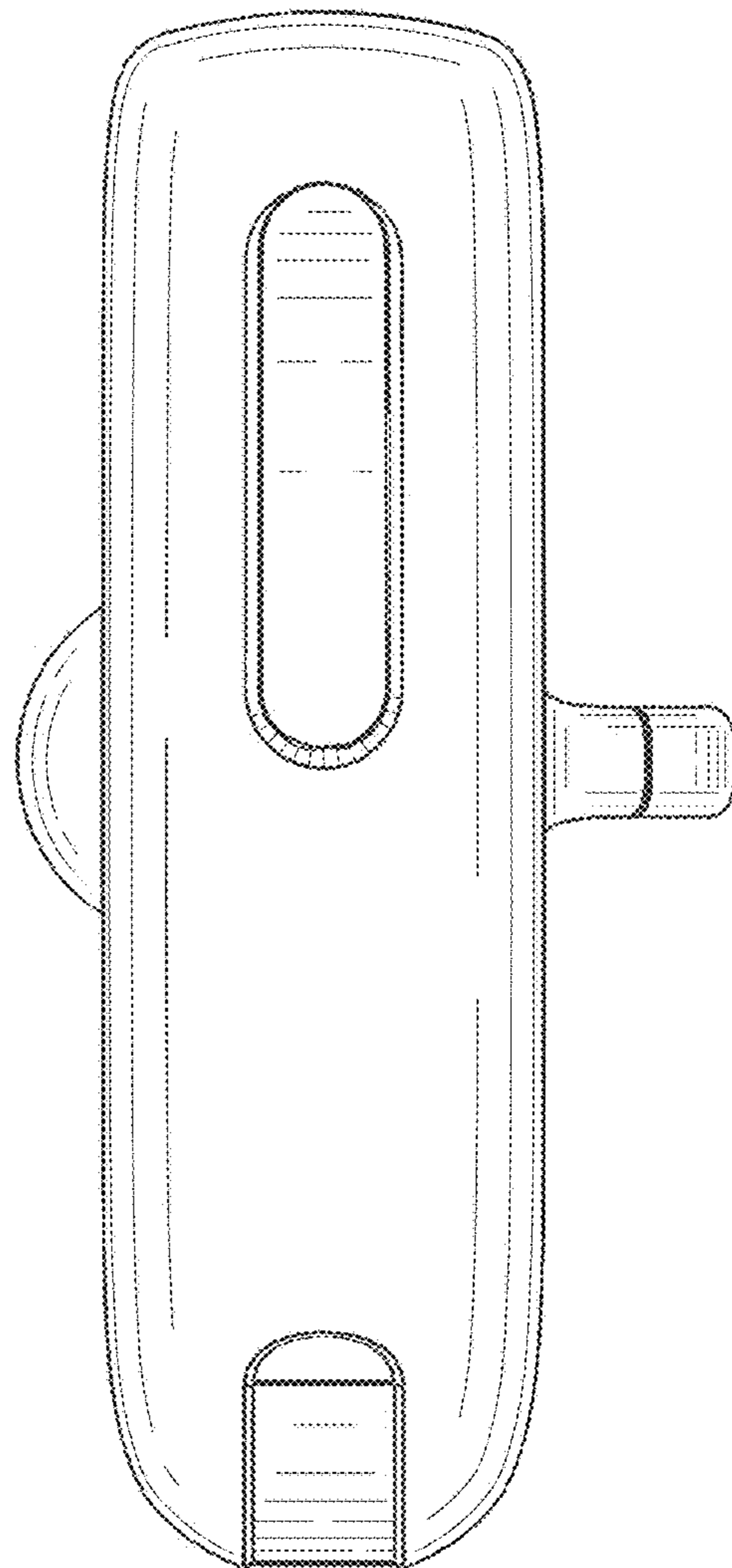


FIG. 2

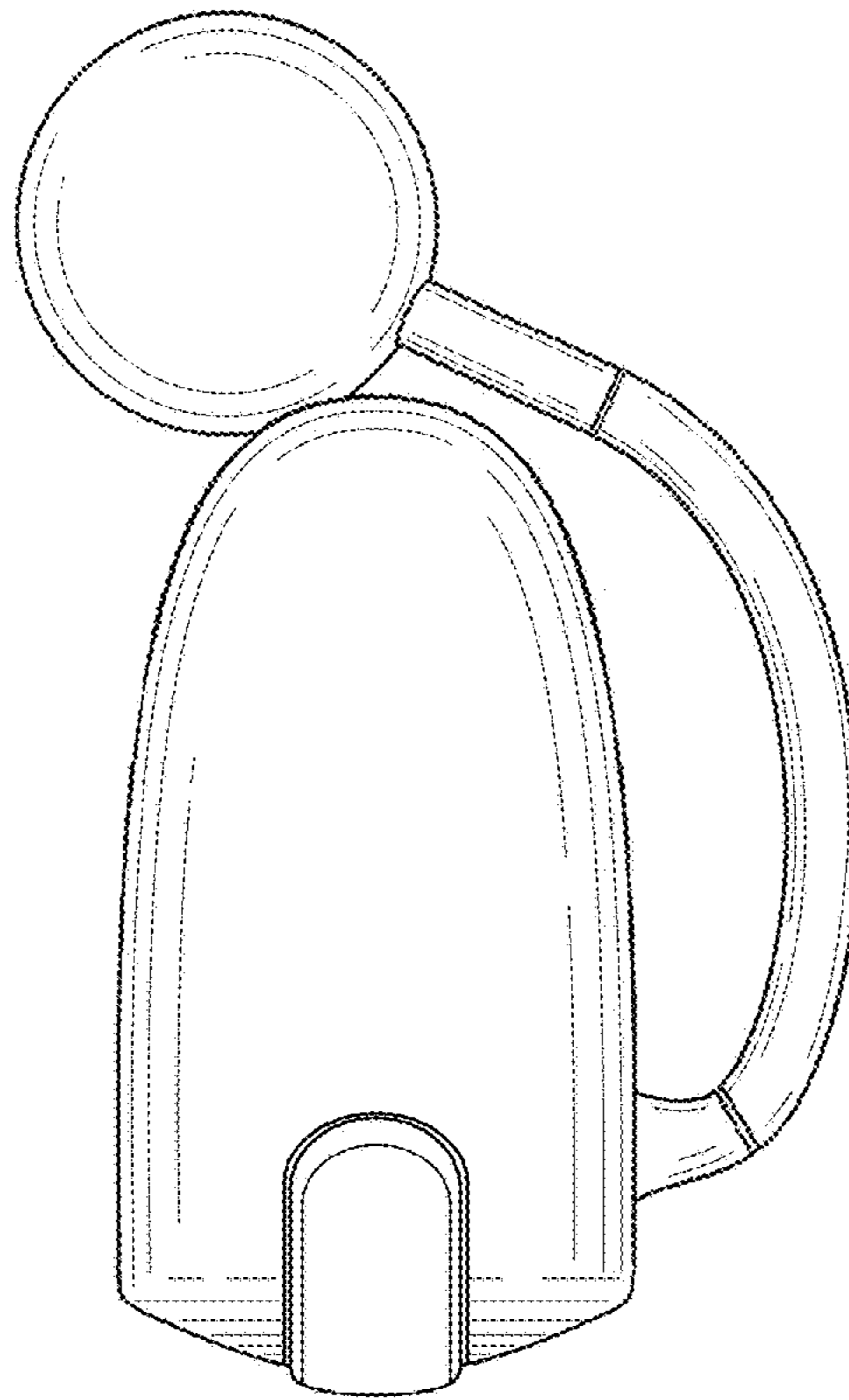


FIG. 3

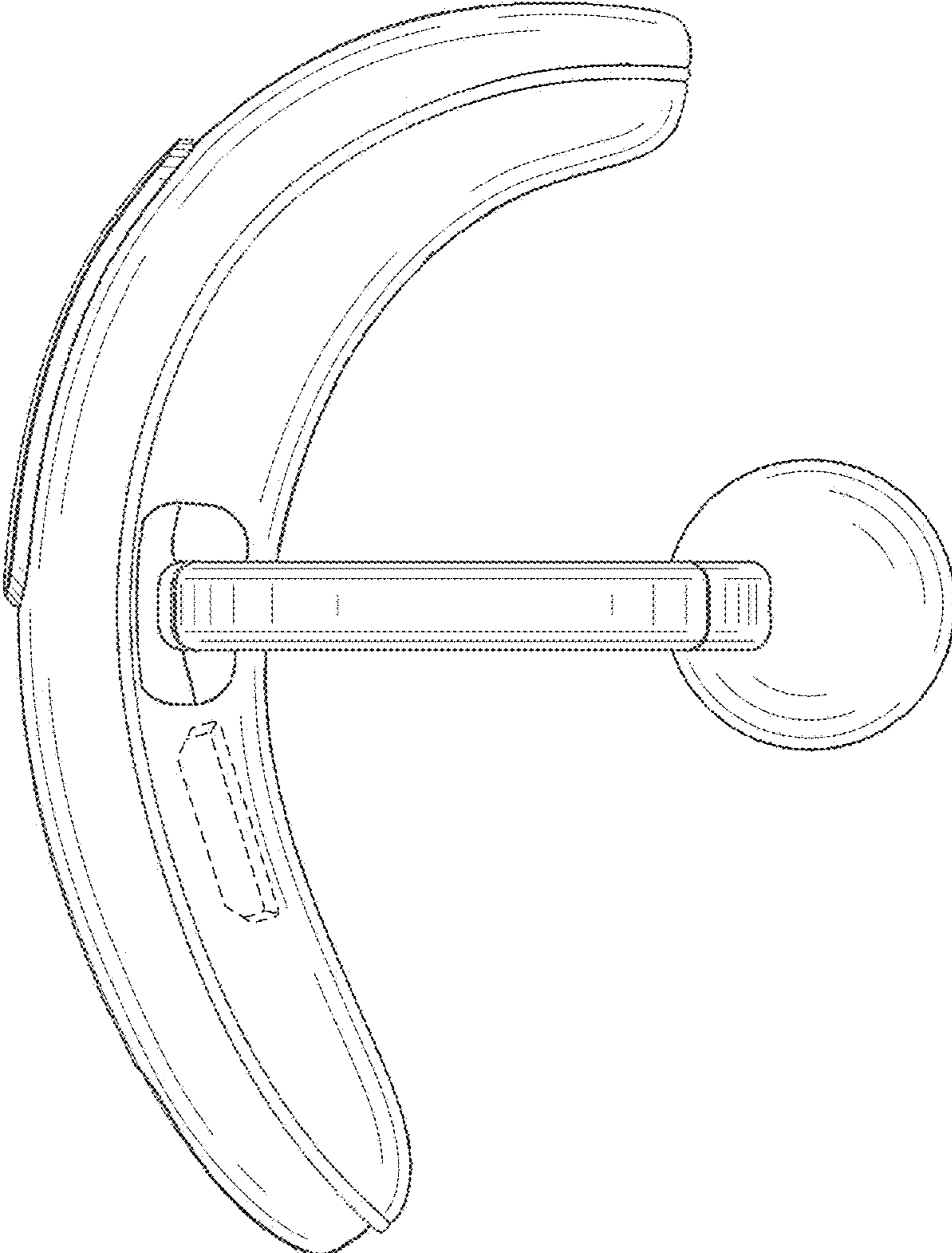


FIG. 4

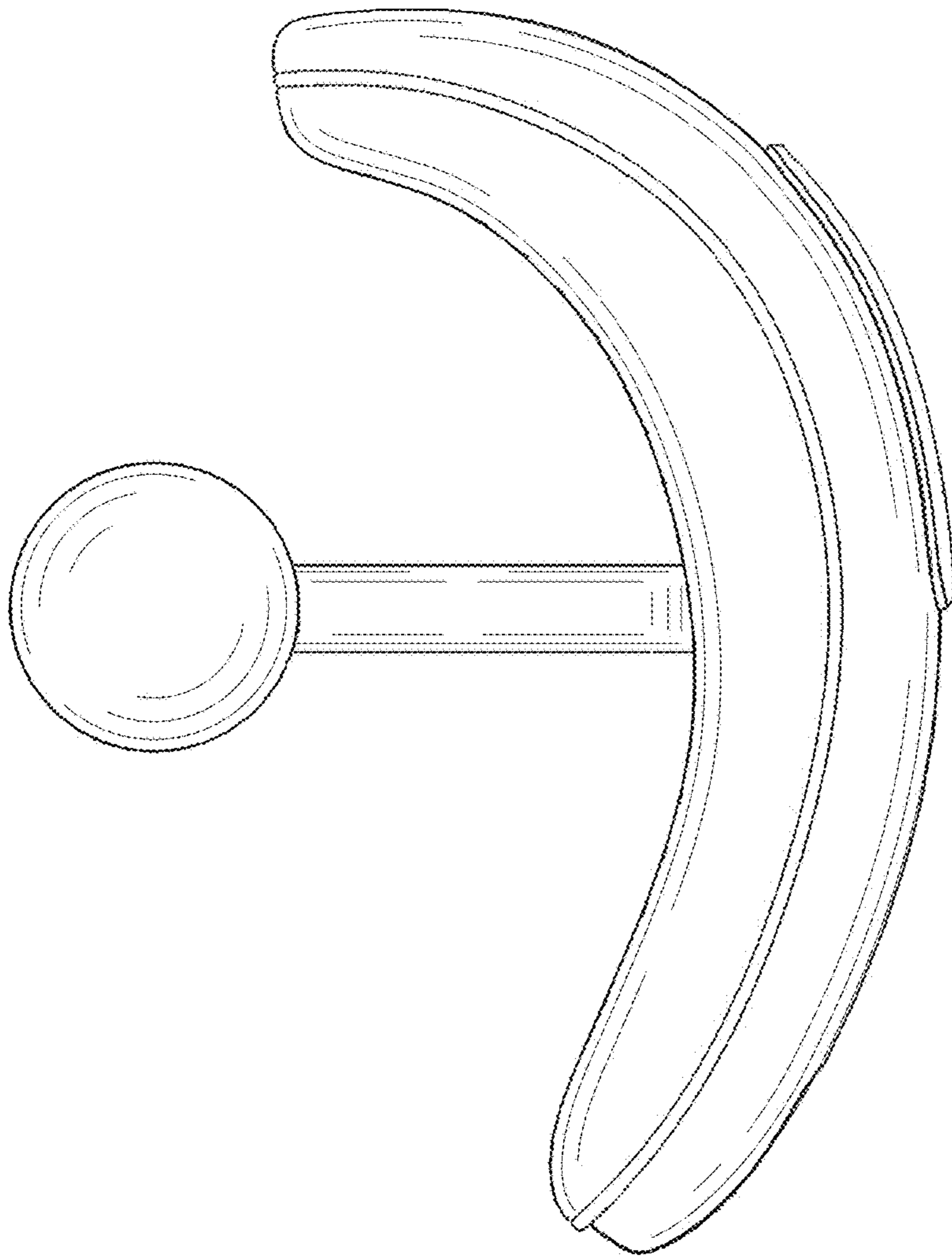


FIG. 5

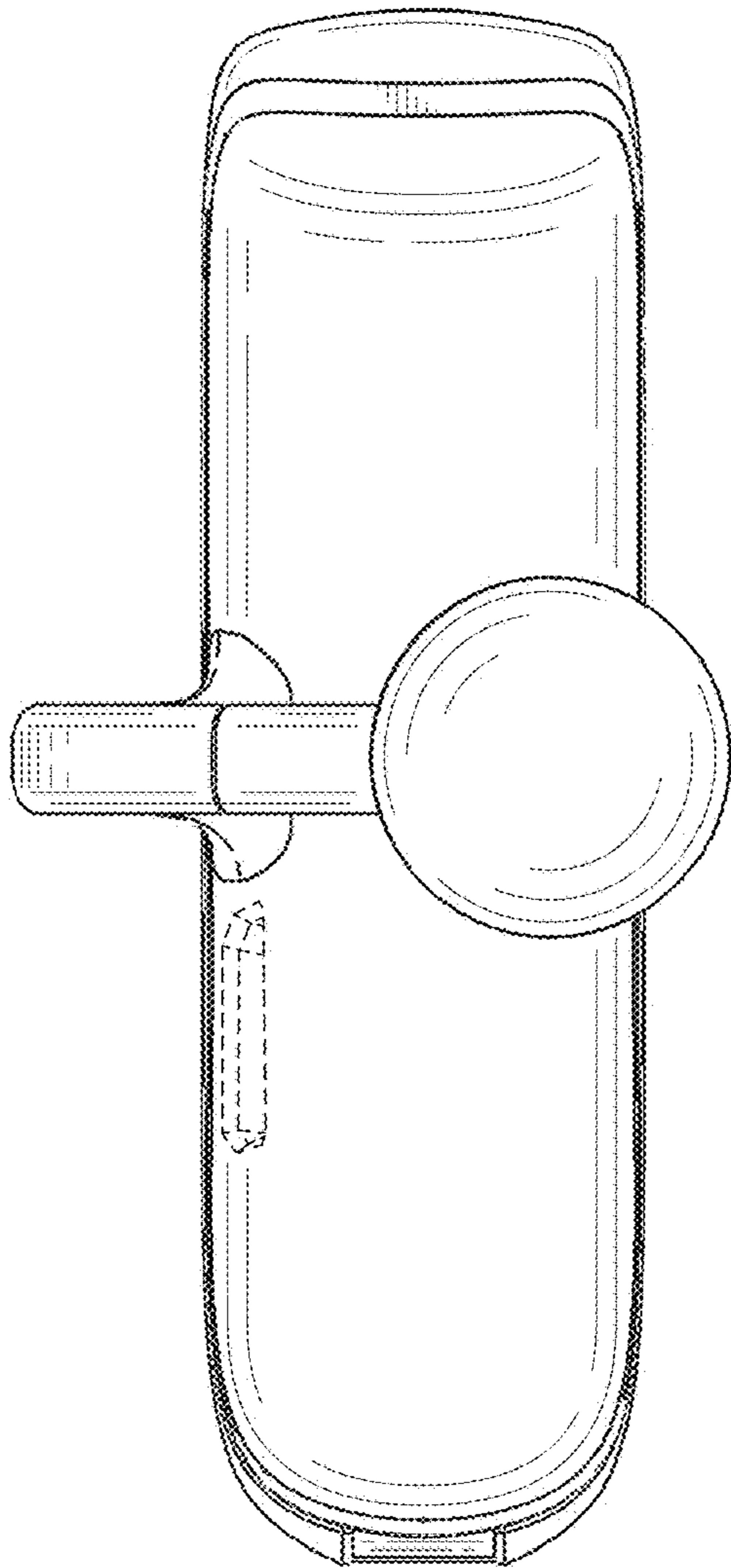


FIG. 6

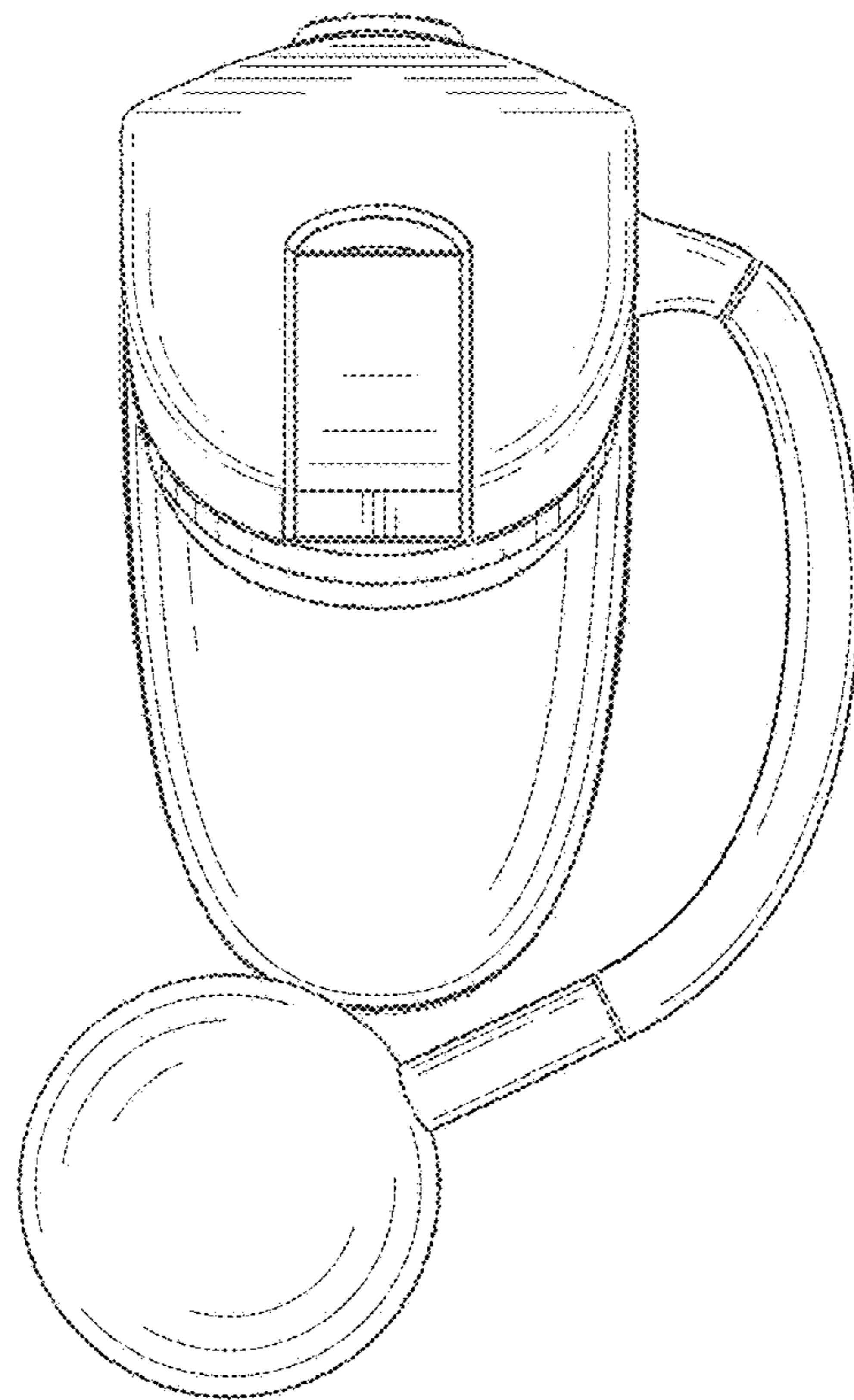


FIG. 7