



US00D842274S

(12) **United States Design Patent**
Kiong et al.

(10) **Patent No.:** **US D842,274 S**
(45) **Date of Patent:** **** Mar. 5, 2019**

(54) **SOUND DEVICE**

(71) Applicant: **Creative Technology Ltd**, Singapore (SG)

(72) Inventors: **Sy Gia Kiong**, Singapore (SG);
Shintaro Kitazawa, Singapore (SG)

(73) Assignee: **Creative Technology Ltd**, Singapore (SG)

(**) Term: **15 Years**

(21) Appl. No.: **29/589,442**

(22) Filed: **Dec. 30, 2016**

(51) **LOC (11) Cl.** **14-03**

(52) **U.S. Cl.**
USPC **D14/215**; D14/214

(58) **Field of Classification Search**
USPC D14/167, 168, 170–172, 188, 194–196,
D14/204, 209.1, 210–216, 219, 221, 222,
D14/224, 239, 496

CPC B60R 11/0217; G06F 1/1688; G10K 9/22;
G10K 11/004; H03F 1/327; H04M 1/03;
H04M 1/035; H04N 5/642; H04N
21/4852; H04R 1/02; H04R 1/06; H04R
1/021; H04R 1/025; H04R 1/026; H04R
1/028; H04R 1/105; H04R 1/323; H04R
1/403; H04R 1/2803; H04R 1/2834;
H04R 5/02; H04R 7/20; H04R 9/06;
H04R 9/025; H04R 2201/021; H04R
2400/00; H04R 2400/07; H04R 2499/11;
H04R 2499/13; H04R 2499/15; H04S
3/00; H04S 7/30

See application file for complete search history.

(56) **References Cited**

U.S. PATENT DOCUMENTS

4,076,097	A *	2/1978	Clarke	H04R 1/2834 181/147
D664,122	S *	7/2012	Cho	D14/215
D671,527	S *	11/2012	Lee	D14/214
D673,933	S *	1/2013	McManigal	D14/204
D680,099	S *	4/2013	Davies	D14/204
D716,264	S *	10/2014	Park	D14/215
D716,765	S *	11/2014	Kim	D14/215
D781,819	S *	3/2017	Koo	D14/214
D800,697	S *	10/2017	Fischer	H04R 1/2834 D14/214

* cited by examiner

Primary Examiner — Keli L Hill

(74) *Attorney, Agent, or Firm* — Russell Swerdon;
Desmund Gean

(57) **CLAIM**

The ornamental design for a sound device, substantially as shown and described.

DESCRIPTION

FIG. 1 is a front perspective view of a sound device showing our new design;

FIG. 2 is a rear perspective view of the sound device in FIG. 1;

FIG. 3 is a front view thereof;

FIG. 4 is a rear view thereof;

FIG. 5 is a left side view thereof;

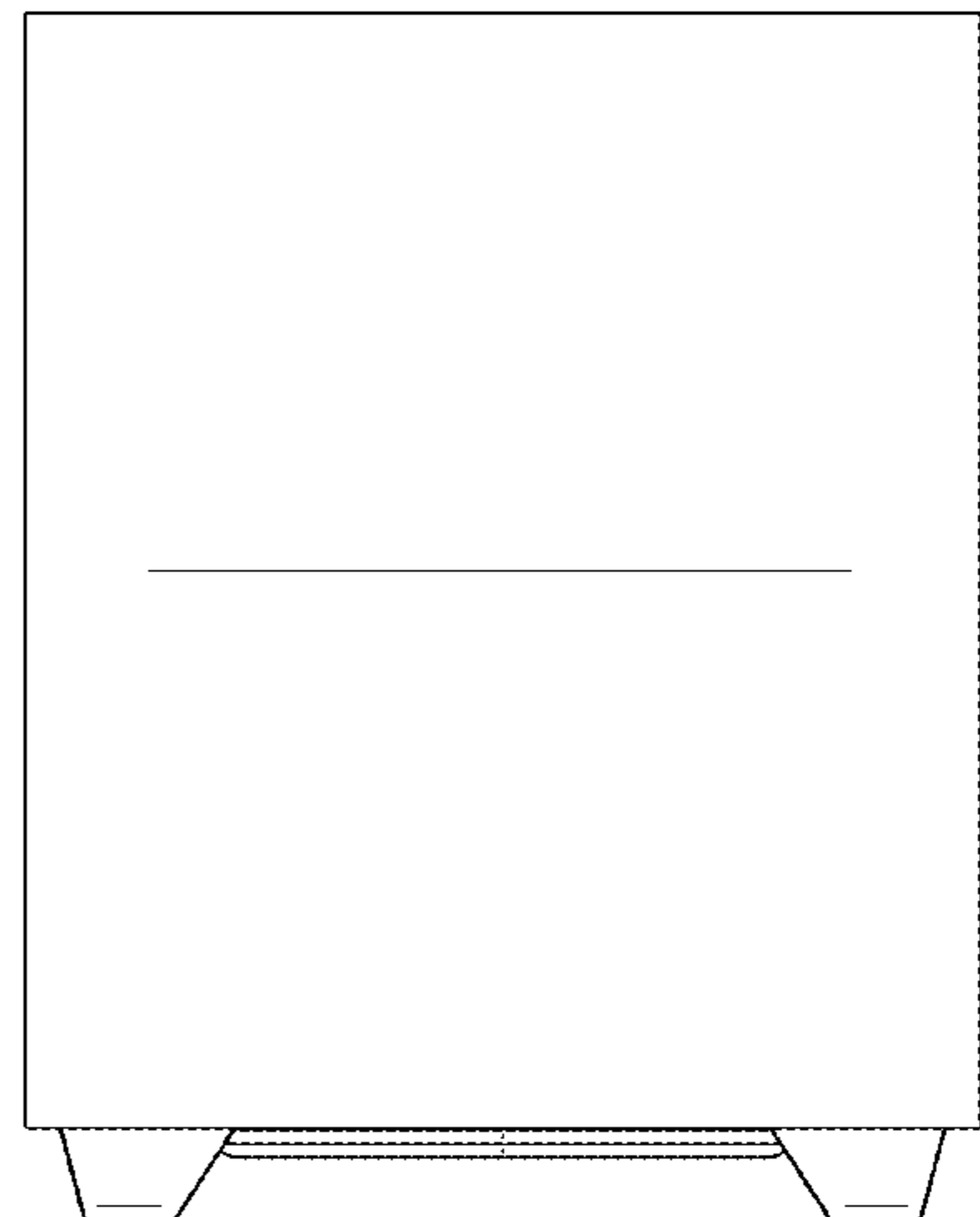
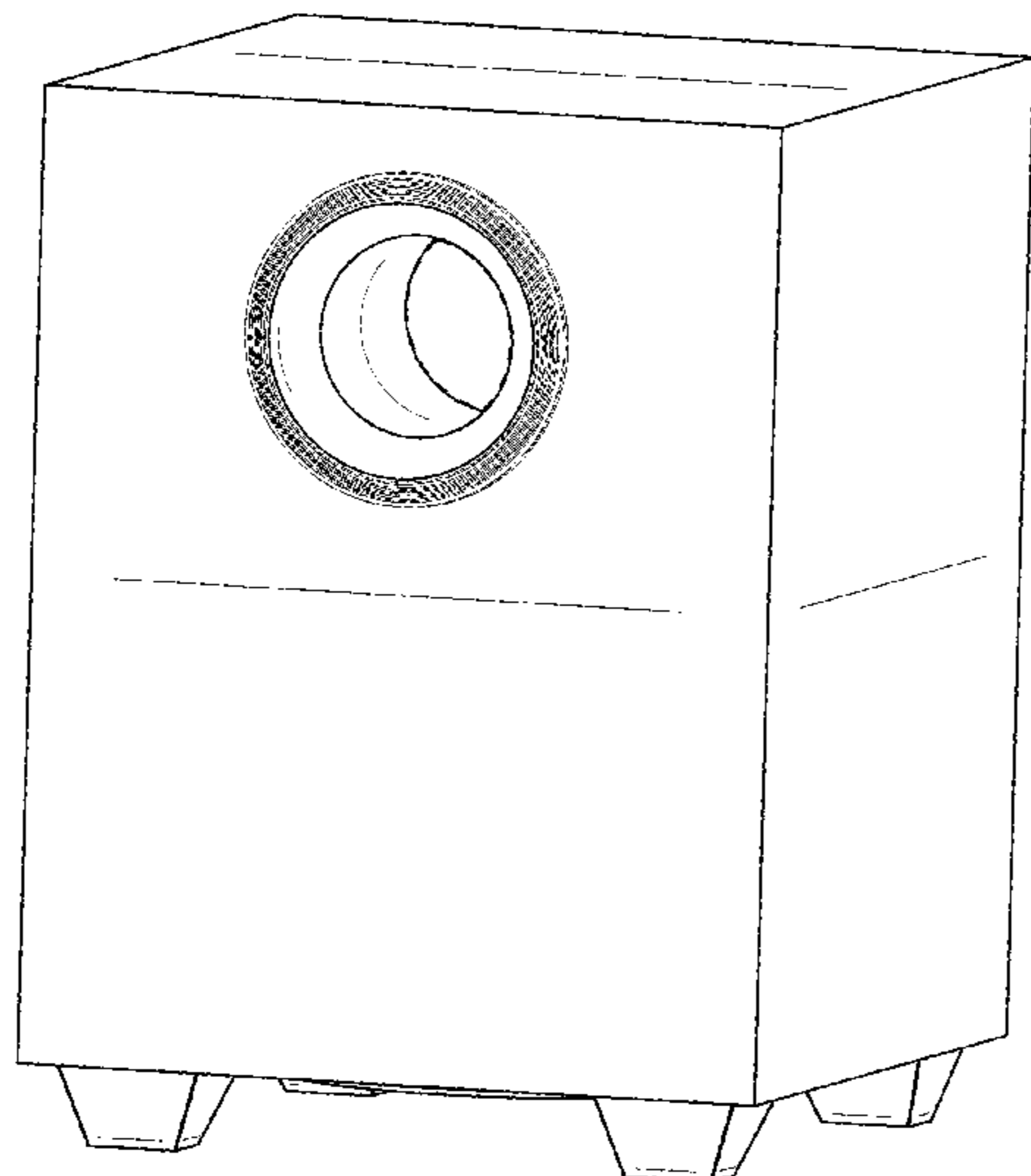
FIG. 6 is a right side view thereof;

FIG. 7 is a top view thereof; and,

FIG. 8 is a bottom view thereof.

The broken lines shown in the drawings represent the portions of the sound device that form no part of the claimed design.

1 Claim, 8 Drawing Sheets



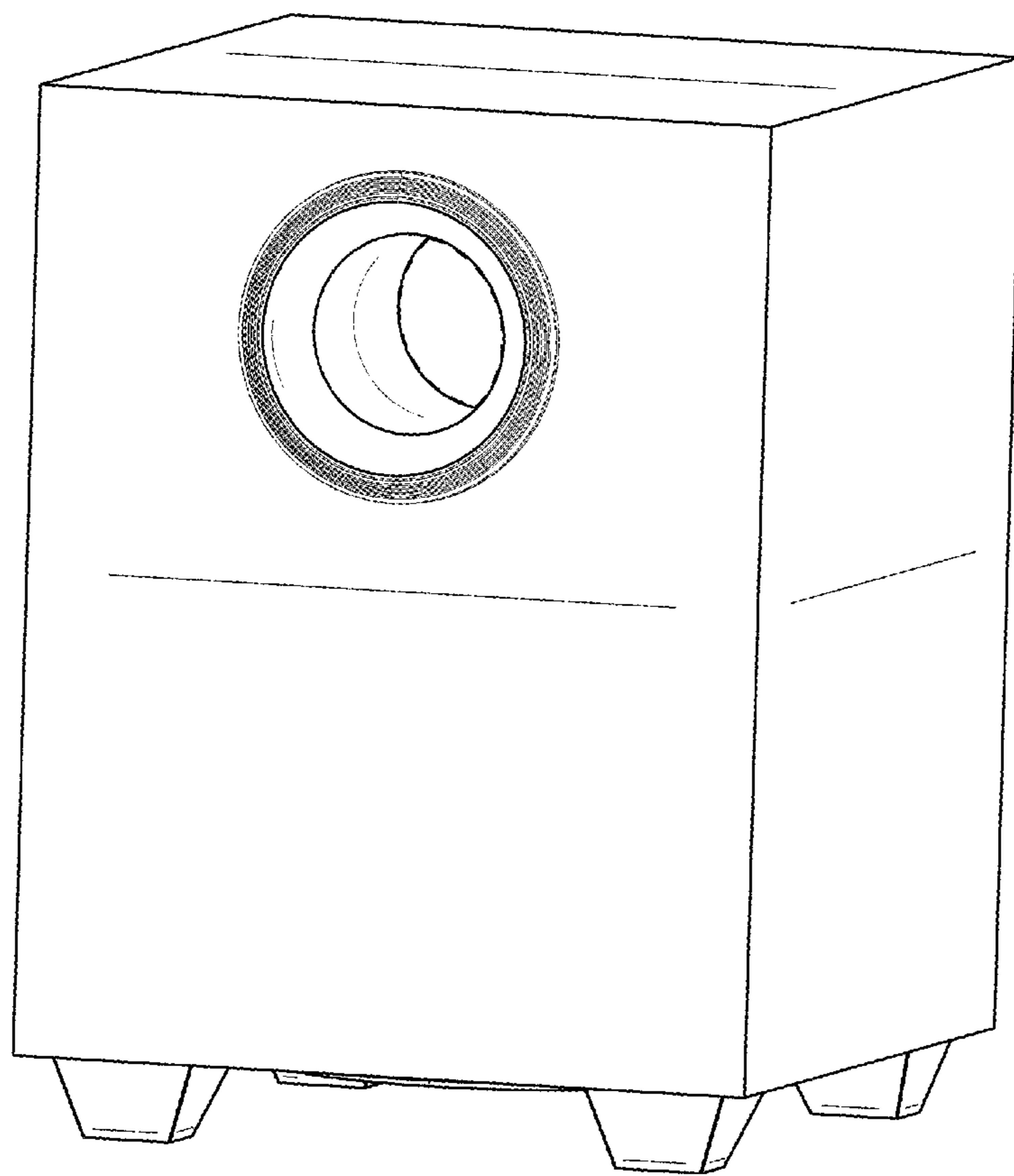


FIG. 1

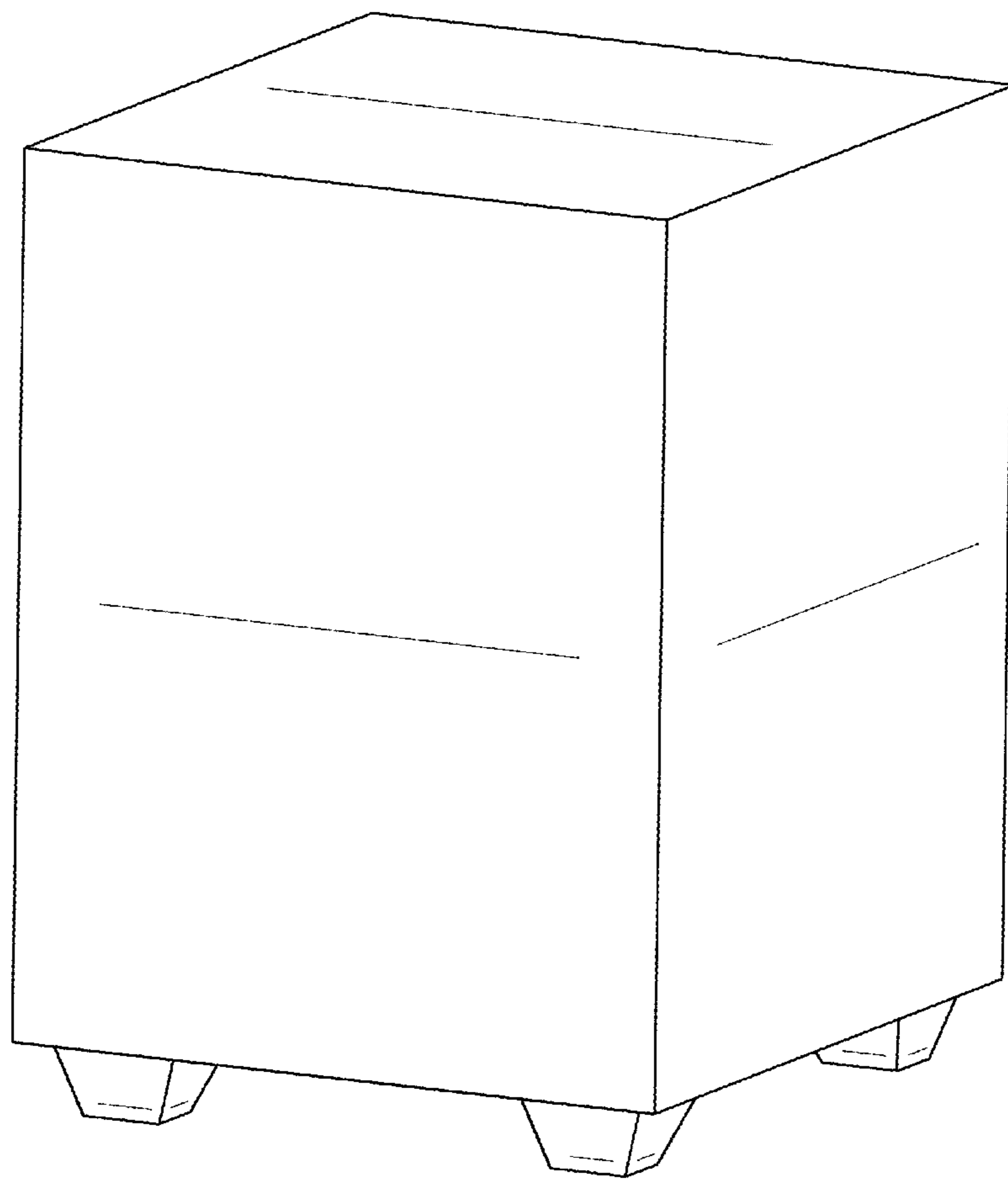


FIG. 2

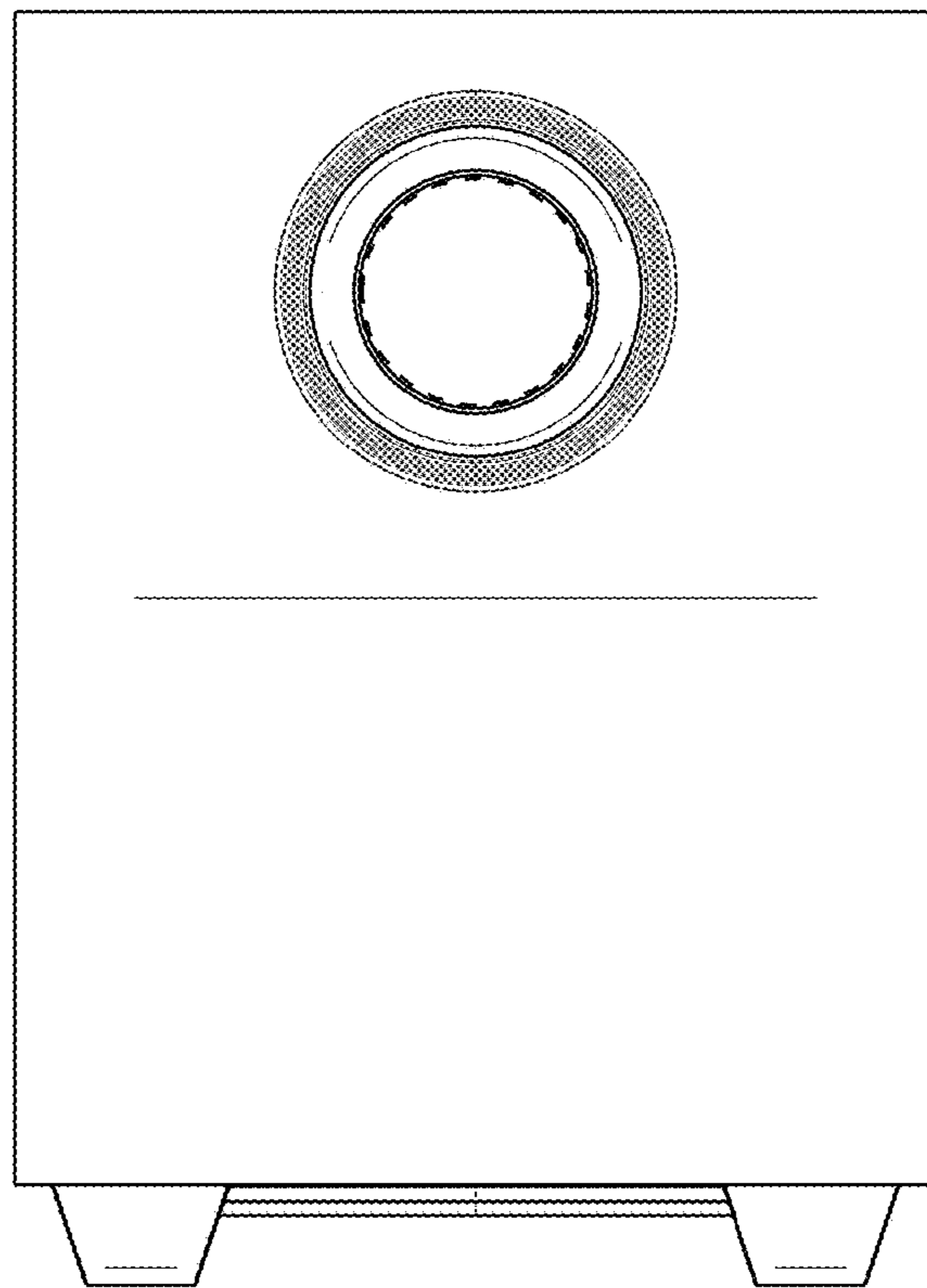


FIG. 3

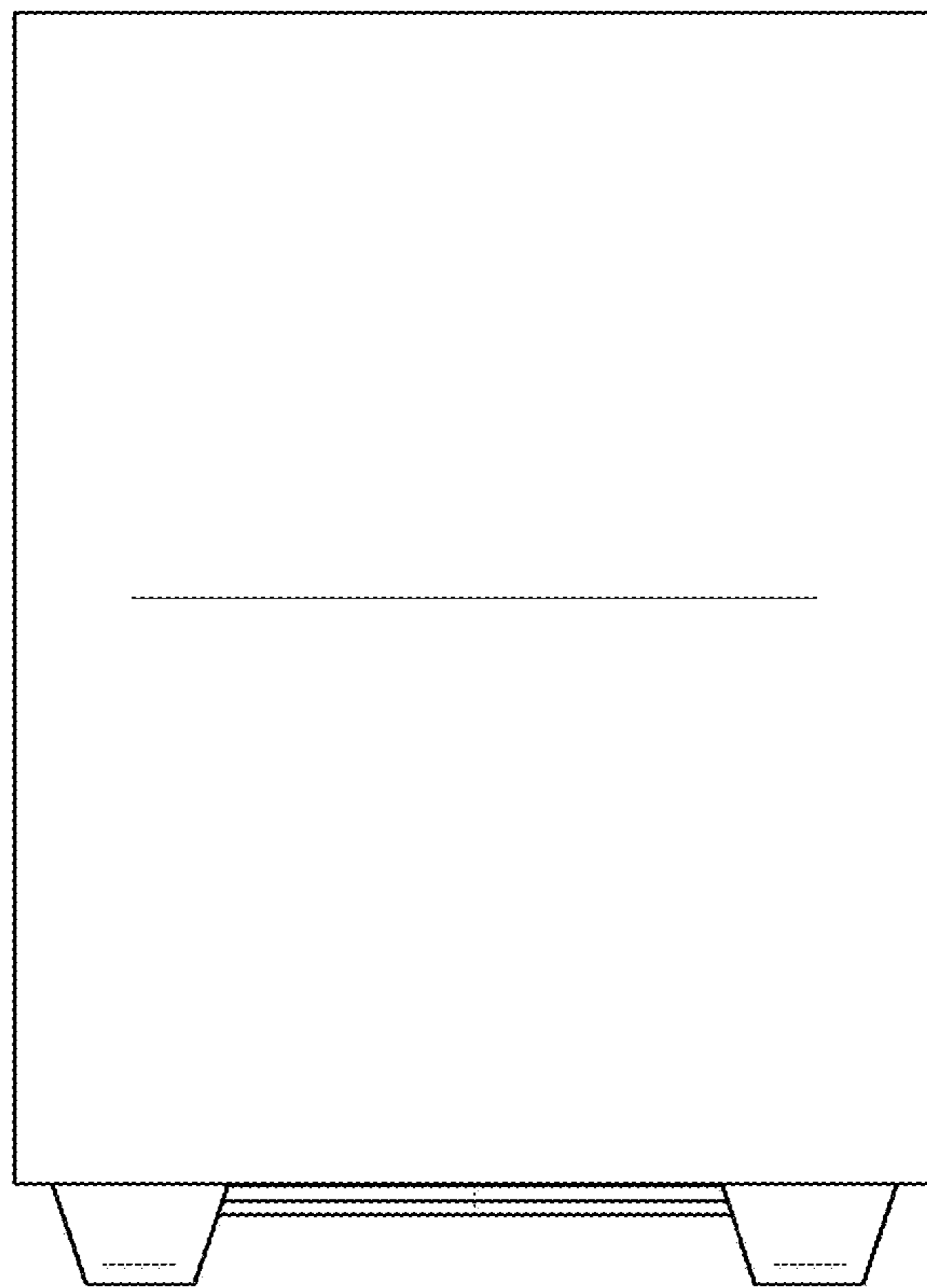


FIG. 4

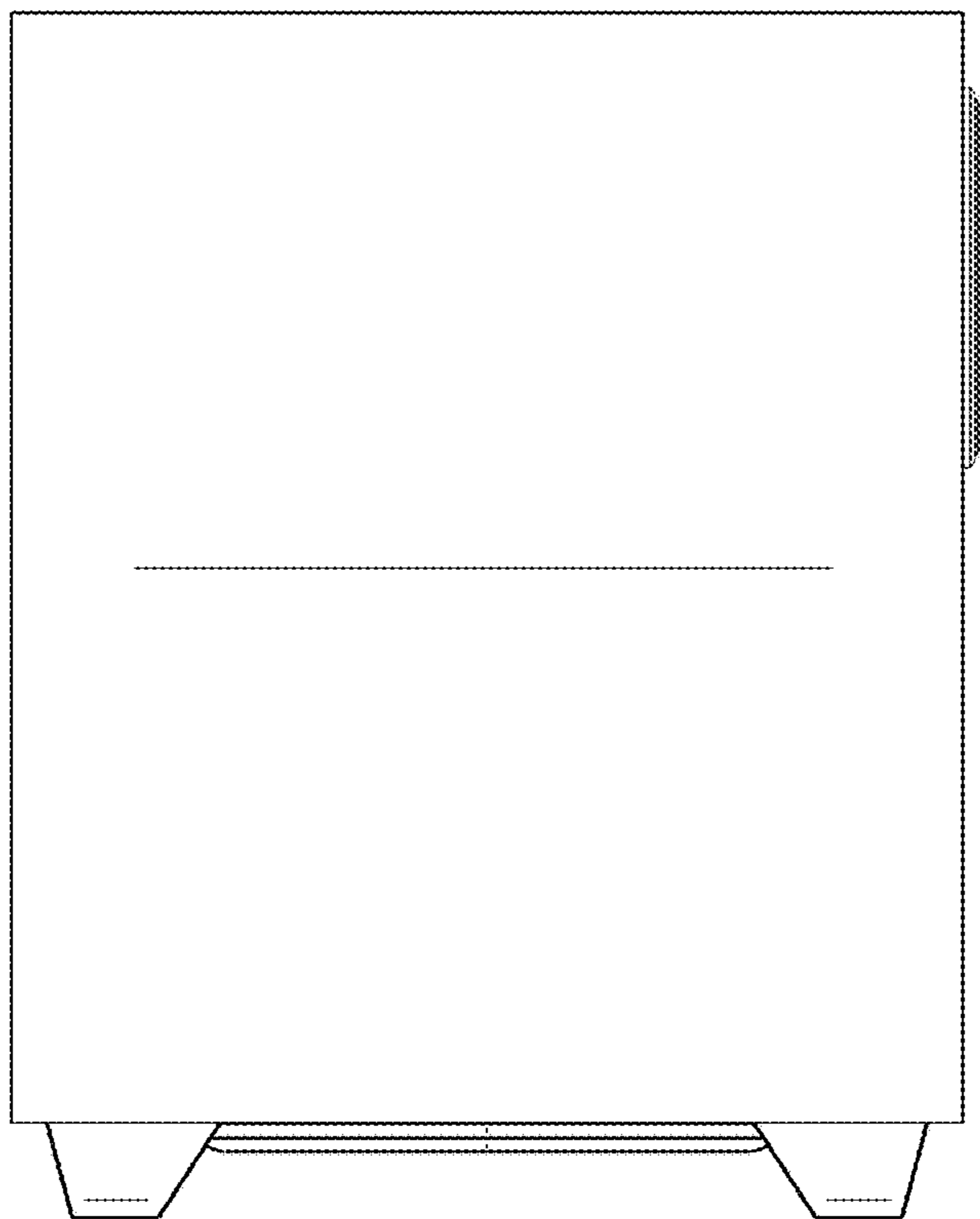


FIG. 5

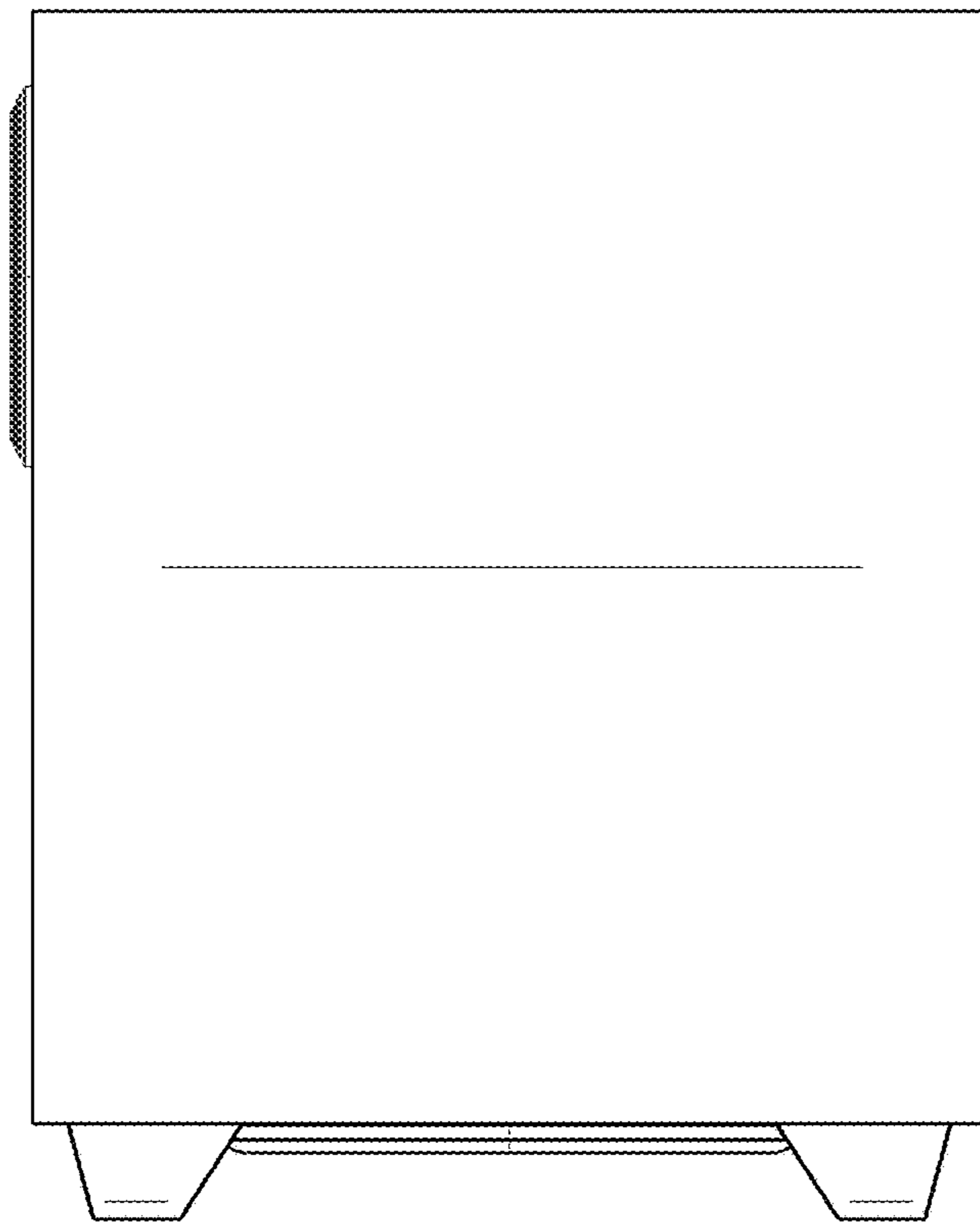


FIG. 6

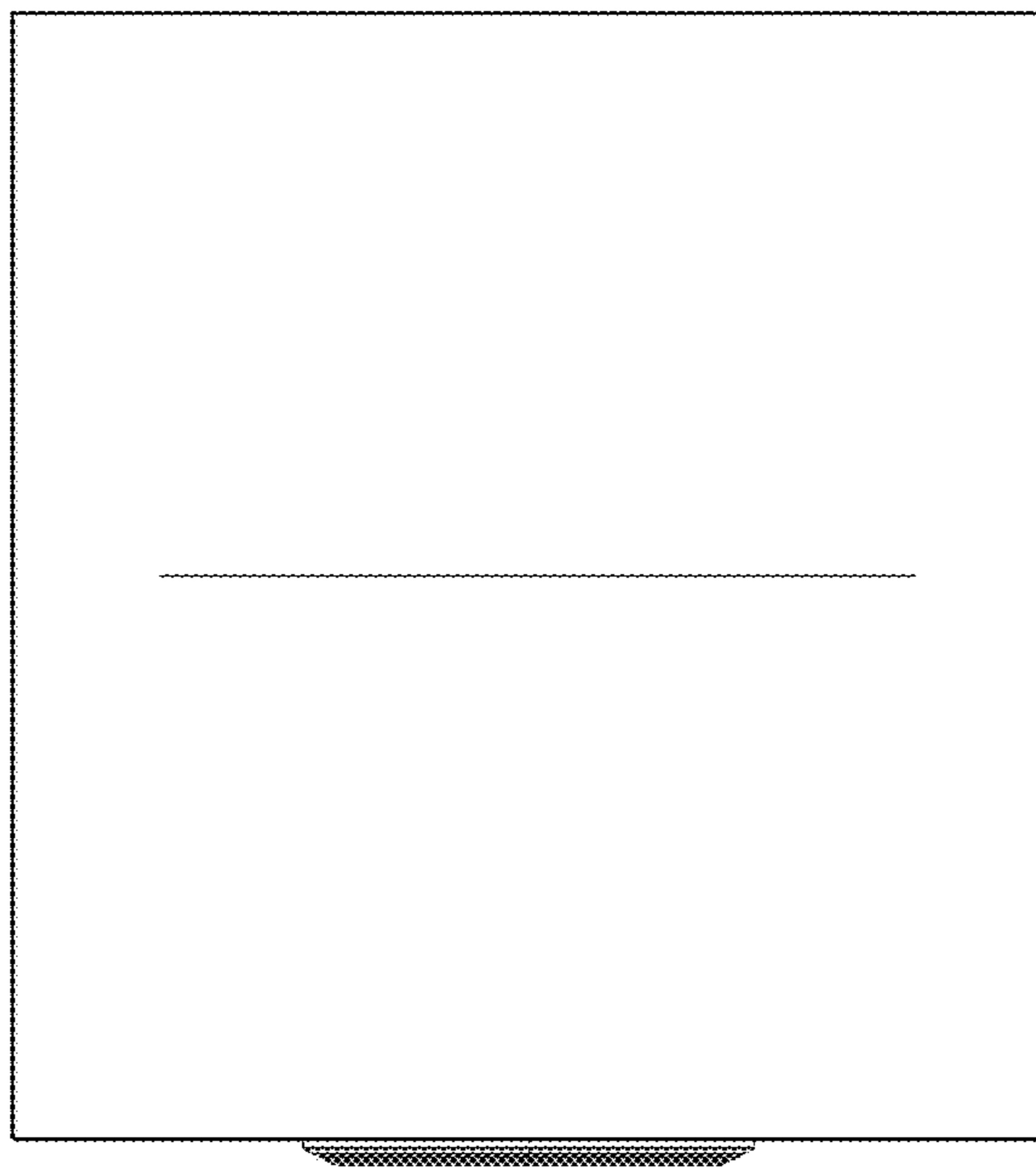


FIG. 7

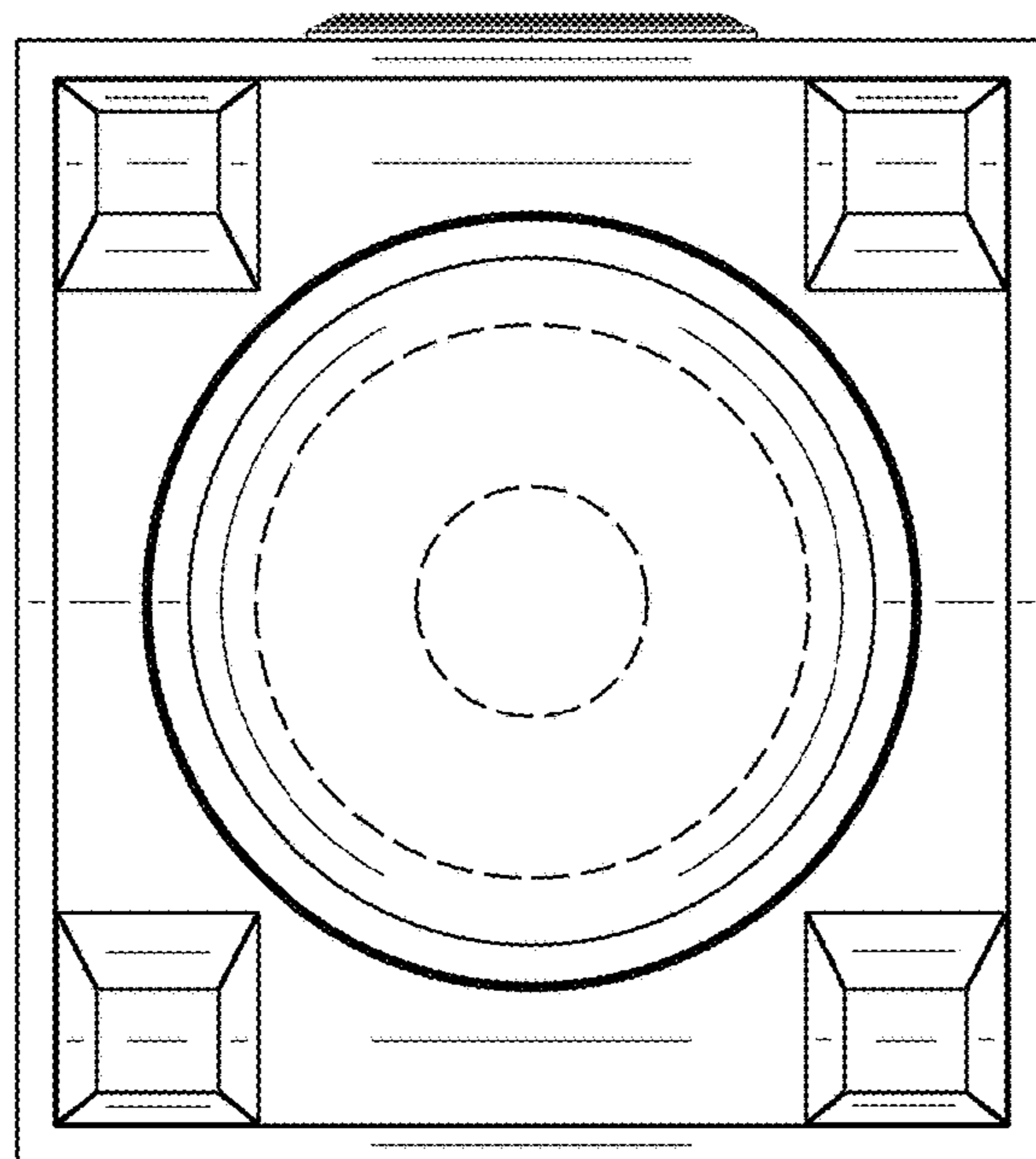


FIG. 8