

US00D842270S

(12) **United States Design Patent**  
**Chen**

(10) **Patent No.:** **US D842,270 S**

(45) **Date of Patent:** **\*\* Mar. 5, 2019**

(54) **HEADSET**

(71) Applicant: **Canmin Chen**, Puning (CN)

(72) Inventor: **Canmin Chen**, Puning (CN)

(\*\*) Term: **15 Years**

(21) Appl. No.: **29/614,503**

(22) Filed: **Aug. 21, 2017**

(51) **LOC (11) Cl.** ..... **14-01**

(52) **U.S. Cl.**  
USPC ..... **D14/205**

(58) **Field of Classification Search**  
USPC ..... D14/205, 206, 188, 192, 372; D29/112;  
2/209; 181/129, 130, 135; 379/430, 431;  
455/90.3, 575.1, 569.1; 345/7, 8, 9  
CPC .... H04R 1/1066; H04R 1/1016; H04R 25/00;  
H04R 25/02; H04R 5/033; H04R 5/0335;  
H04R 1/1083; H04R 1/08  
See application file for complete search history.

(56) **References Cited**

**U.S. PATENT DOCUMENTS**

- 4,459,707 A \* 7/1984 Stallings ..... A61F 11/14  
181/129
- 4,987,592 A \* 1/1991 Flagg ..... H04M 1/05  
379/430
- D317,767 S \* 6/1991 Banks ..... D14/205
- 5,068,923 A \* 12/1991 Sjoqvist ..... A61F 11/14  
181/129
- D328,074 S \* 7/1992 Yamazaki ..... D14/205
- 5,185,807 A \* 2/1993 Bergin ..... H04R 1/1066  
181/128
- 5,210,792 A \* 5/1993 Kajihara ..... H04M 1/05  
379/430
- 5,384,857 A \* 1/1995 Nordin ..... A61F 11/14  
381/374
- 5,406,037 A \* 4/1995 Nageno ..... H04R 5/0335  
181/129
- D373,360 S \* 9/1996 Kanno ..... D14/205

- D377,021 S \* 12/1996 Isono ..... D14/205
- D394,062 S \* 5/1998 Chun ..... D14/192
- 5,793,878 A \* 8/1998 Chang ..... H04R 5/0335  
381/370
- 6,006,115 A \* 12/1999 Wingate ..... H04M 1/6033  
379/110.01
- D484,485 S \* 12/2003 Matsuoka ..... D14/205
- D504,414 S \* 4/2005 Yoshida ..... D14/192
- 6,952,481 B2 \* 10/2005 Larsen ..... H04M 1/05  
379/430
- 7,106,873 B1 \* 9/2006 Harrison ..... H04R 25/456  
381/330
- D534,155 S \* 12/2006 Obata ..... D14/205
- 7,172,052 B2 \* 2/2007 Lenhard-Backhaus .....  
H04R 1/1066  
181/129
- D552,077 S \* 10/2007 Brunner ..... D14/205
- 7,292,704 B2 \* 11/2007 Lederer ..... G01R 33/283  
381/380
- D557,684 S \* 12/2007 Pundsack ..... D14/205
- D573,581 S \* 7/2008 Gondo ..... D14/205

(Continued)

*Primary Examiner* — Paula Allen Greene

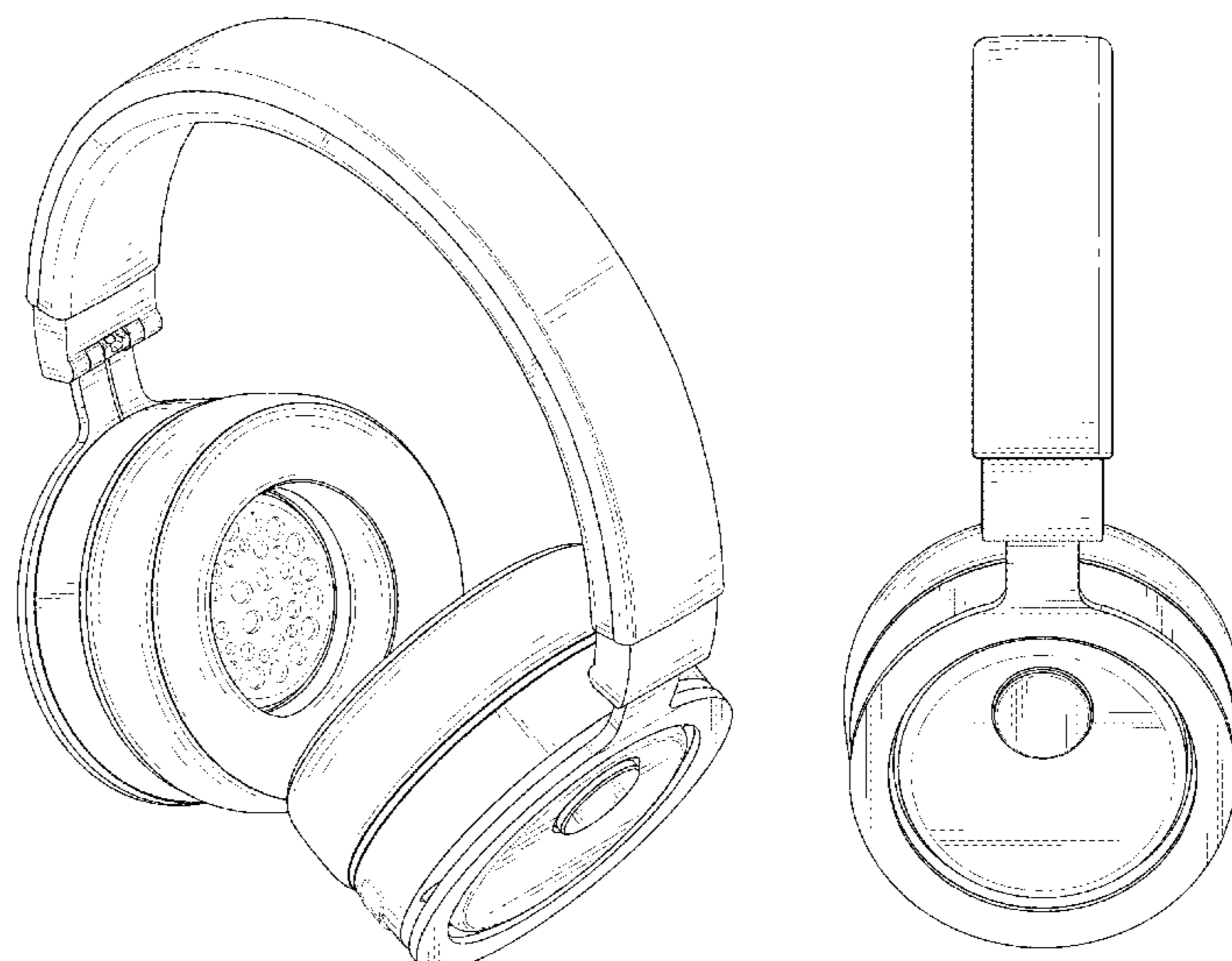
(57) **CLAIM**

A new, original, ornamental design for a headset, as shown and described.

**DESCRIPTION**

FIG. 1 is a first perspective view of a headset showing my new design;  
FIG. 2 is a second perspective view thereof;  
FIG. 3 is a front elevational view thereof;  
FIG. 4 is a rear elevational view thereof;  
FIG. 5 is a left elevational view thereof;  
FIG. 6 is a right elevational view thereof;  
FIG. 7 is a top plan view thereof; and,  
FIG. 8 is a bottom plan view thereof.  
The broken lines in the drawings illustrate portions of the headset which form no part of the claimed design.

**1 Claim, 8 Drawing Sheets**



(56)

References Cited

U.S. PATENT DOCUMENTS

D582,890 S \* 12/2008 Koza ..... D14/205  
 D583,800 S \* 12/2008 Jaakkola ..... D14/205  
 D584,715 S \* 1/2009 Brennwald ..... D14/205  
 D585,871 S \* 2/2009 Lee ..... D14/205  
 D588,098 S \* 3/2009 Kurihara ..... D14/205  
 D592,640 S \* 5/2009 Tkachuk ..... D14/205  
 7,580,539 B2 \* 8/2009 Tachikawa ..... H04R 1/1066  
 381/374  
 D603,370 S \* 11/2009 Suzuki ..... D14/205  
 D603,371 S \* 11/2009 Boateng ..... D14/205  
 7,766,120 B2 \* 8/2010 Hansson ..... A61F 11/14  
 181/129  
 D625,705 S \* 10/2010 Ohori ..... D14/205  
 D632,668 S \* 2/2011 Brunner ..... D14/205  
 D637,176 S \* 5/2011 Brunner ..... D14/205  
 D637,579 S \* 5/2011 Hamaura ..... D14/205  
 D641,727 S \* 7/2011 Krauss ..... D14/206  
 D652,406 S \* 1/2012 Lee ..... D14/205  
 8,098,872 B2 \* 1/2012 Chang ..... H04R 1/1075  
 381/370  
 D657,776 S \* 4/2012 Lee ..... D14/205  
 D660,823 S \* 5/2012 Hardi ..... D14/205

D660,824 S \* 5/2012 Hardi ..... D14/205  
 D663,716 S \* 7/2012 Hardi ..... D14/205  
 D664,118 S \* 7/2012 Tappeiner ..... D14/205  
 D673,520 S \* 1/2013 Tan ..... D14/205  
 D683,329 S \* 5/2013 Hagelin ..... D14/205  
 D691,579 S \* 10/2013 Lee ..... D14/205  
 D692,410 S \* 10/2013 Brunner ..... H04S 1/005  
 D14/206  
 8,755,555 B2 \* 6/2014 Dougherty ..... H04R 1/1066  
 381/370  
 D717,766 S \* 11/2014 Mchatet ..... D14/205  
 D727,289 S \* 4/2015 Czaniecki ..... D14/205  
 D750,041 S \* 2/2016 Birger ..... D14/205  
 D759,626 S \* 6/2016 Wagner ..... D14/205  
 D763,226 S \* 8/2016 Petersen ..... D14/205  
 D771,012 S \* 11/2016 Wagner ..... D14/205  
 D772,998 S \* 11/2016 Ranjan ..... D21/793  
 9,706,281 B2 \* 7/2017 Hernandez Vazquez .....  
 H04R 1/08  
 D806,675 S \* 1/2018 Fuglsang ..... D14/206  
 D806,676 S \* 1/2018 Fuglsang ..... D14/206  
 D812,035 S \* 3/2018 Petersen ..... D14/205  
 2011/0206216 A1 \* 8/2011 Brunner ..... H04R 1/1066  
 381/74

\* cited by examiner



FIG. 1

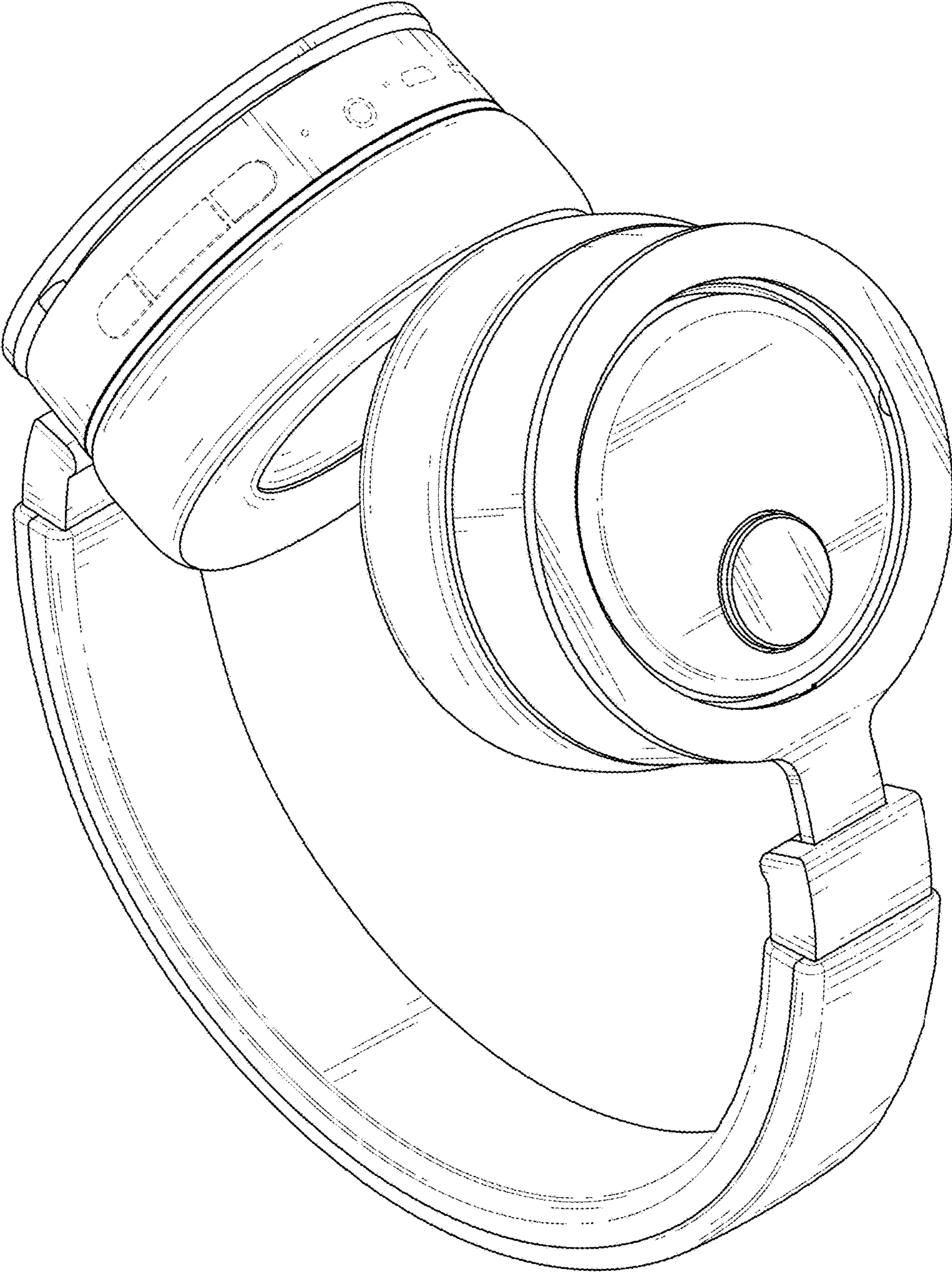


FIG. 2



FIG. 3



FIG. 4

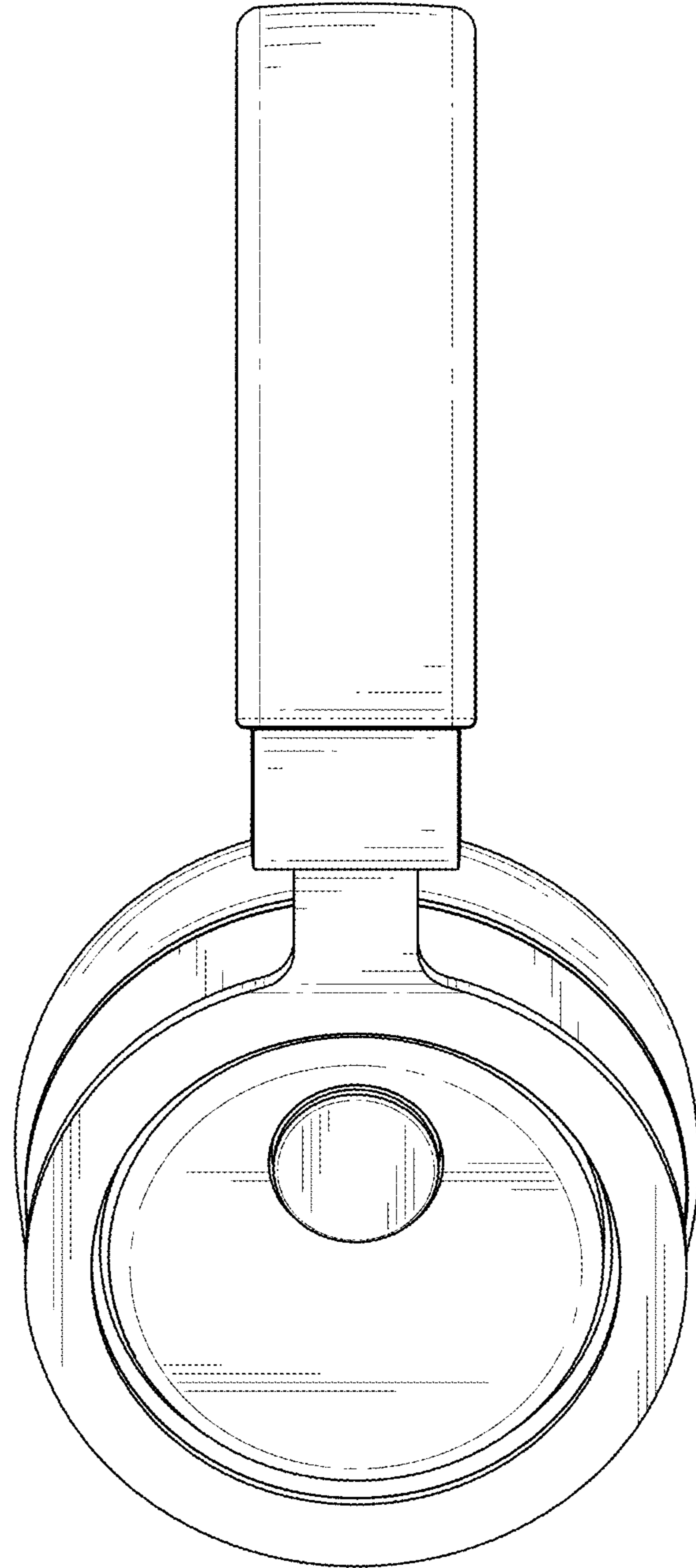


FIG. 5

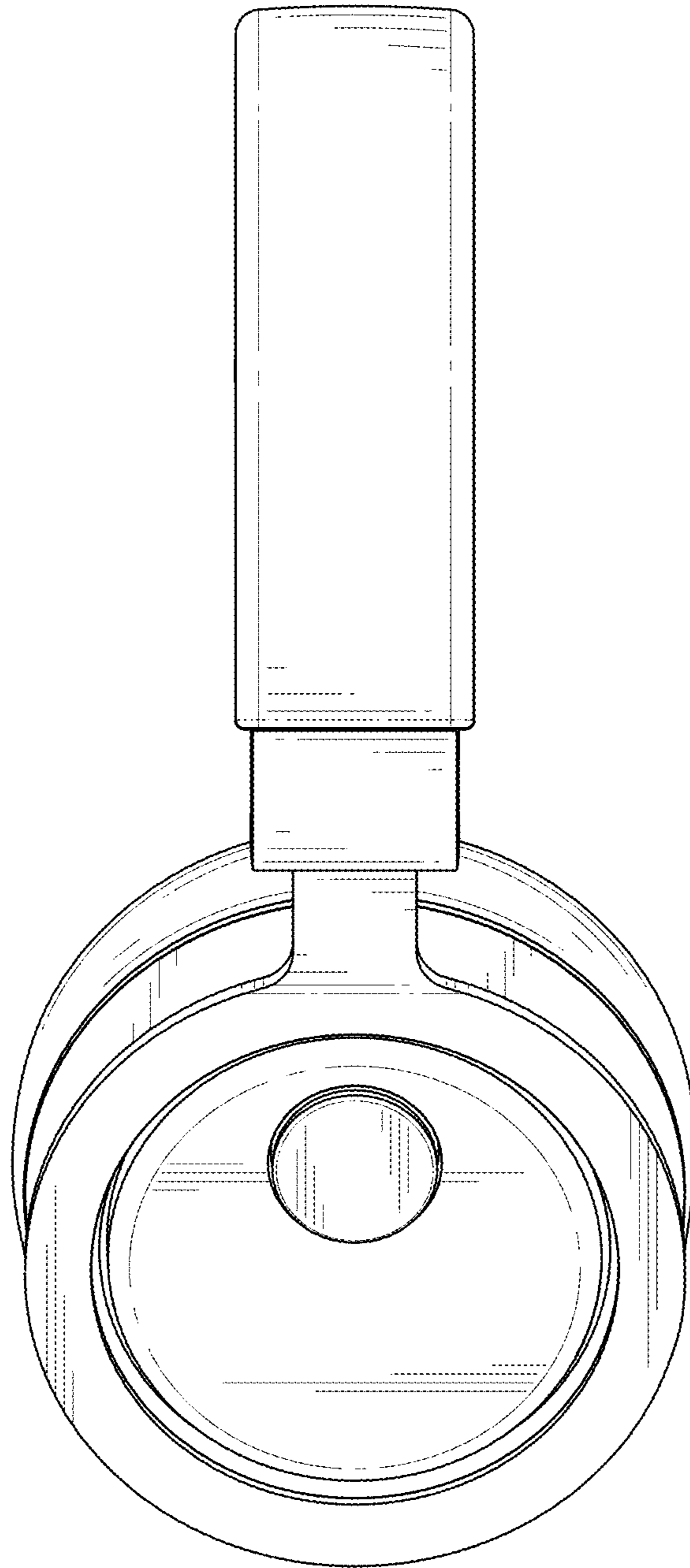


FIG. 6



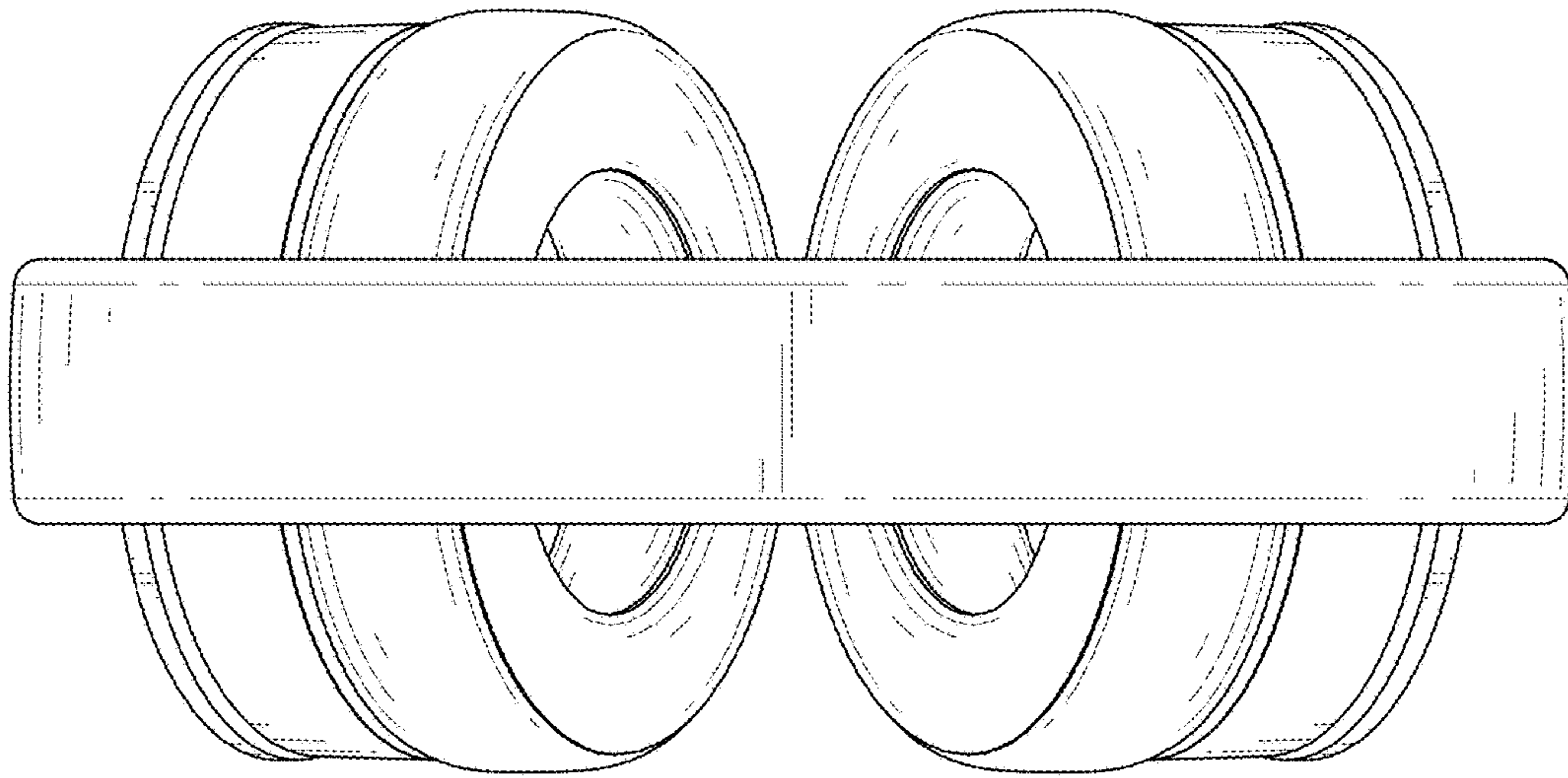


FIG. 7

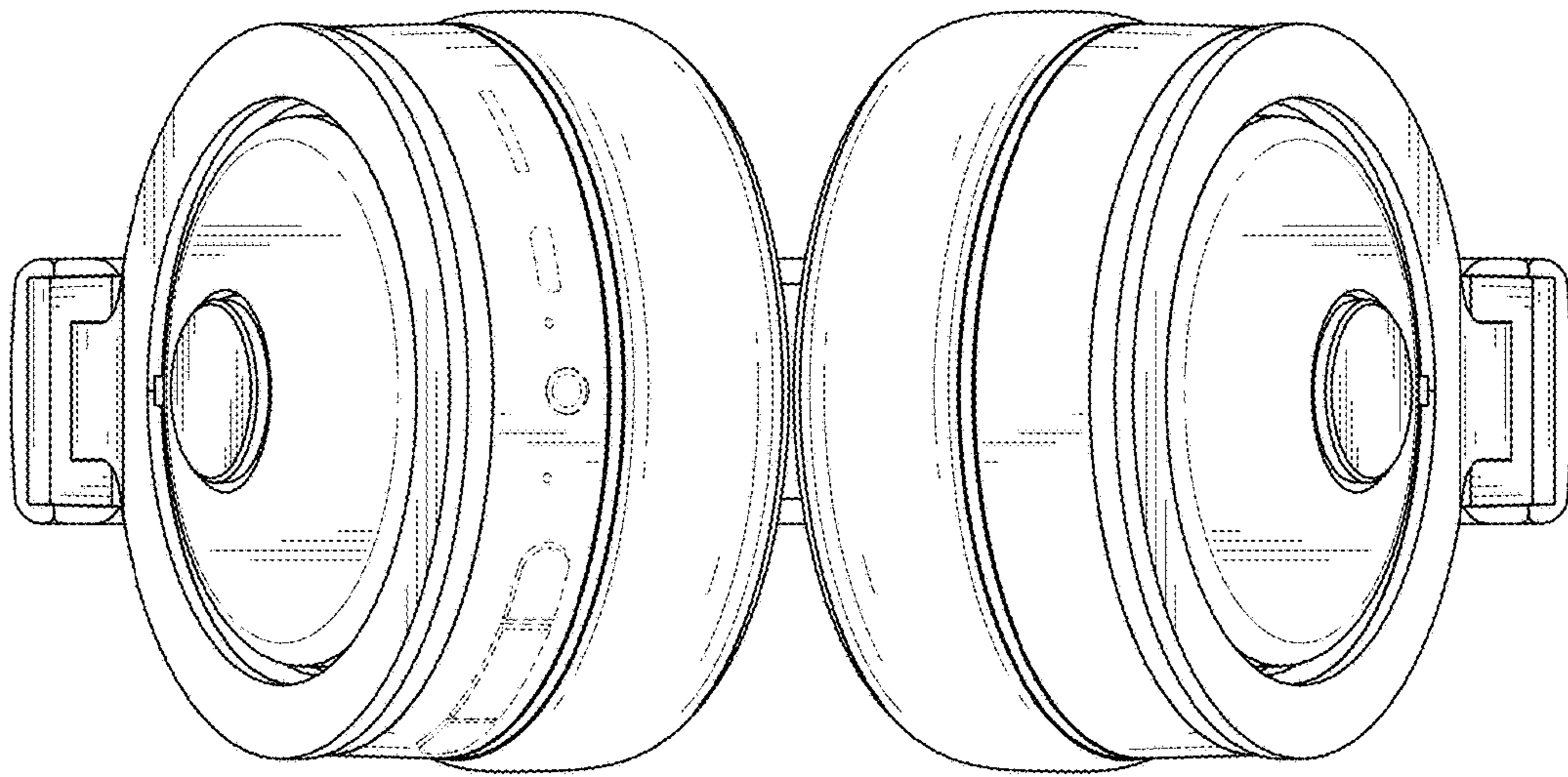


FIG. 8