



US00D842268S

(12) **United States Design Patent**
Singhal

(10) **Patent No.:** **US D842,268 S**
(45) **Date of Patent:** **** Mar. 5, 2019**

(54) **ELECTRONIC COLLAR WORN AROUND THE HUMAN NECK, FOR WIRELESS COMMUNICATION WITH A SMART PHONE**

(71) Applicant: **Tara Chand Singhal**, Torrance, CA (US)

(72) Inventor: **Tara Chand Singhal**, Torrance, CA (US)

(**) Term: **15 Years**

(21) Appl. No.: **29/607,336**

(22) Filed: **Jun. 12, 2017**

(51) **LOC (11) Cl.** **14-01**

(52) **U.S. Cl.**
USPC **D14/205**

(58) **Field of Classification Search**
USPC D14/205, 206, 225, 226; D29/112; 2/209; 181/129, 130, 135; 379/430, 431; 381/380, 381, 370, 374, 330, 331, 309, 381/311, 333-335, 387, 388; 455/90.3, 455/575.1, 569.1
CPC H04R 1/1066; H04R 1/1016; H04R 5/033; H04R 5/0335; H04R 1/10; H04R 1/02; H04R 1/1091; H04R 5/00; H04R 25/00; H04R 3/12
See application file for complete search history.

(56) **References Cited**

U.S. PATENT DOCUMENTS

- 2,891,116 A * 6/1959 Nichols H04R 25/60 381/323
- 4,070,553 A * 1/1978 Hass H04M 1/05 381/151
- 4,110,583 A * 8/1978 Lepper H04M 1/05 381/370
- D261,511 S * 10/1981 Hass D14/192

- D268,675 S * 4/1983 Hass D14/192
- 4,649,570 A * 3/1987 Terbrack H04R 1/08 379/452
- 5,212,734 A * 5/1993 Tsao H04R 5/023 381/301
- 5,457,751 A * 10/1995 Such H04M 1/05 348/115
- D371,558 S * 7/1996 Yoshizawa D14/205
- 6,010,216 A * 1/2000 Jesiek H04B 1/385 351/158
- D446,609 S * 8/2001 Hill A61F 11/06 D29/112
- D458,245 S * 6/2002 Masuda D14/192
- 6,603,863 B1 * 8/2003 Nagayoshi H04R 1/1066 381/370

(Continued)

Primary Examiner — Paula Allen Greene

(74) *Attorney, Agent, or Firm* — Steve Roeder Esq.

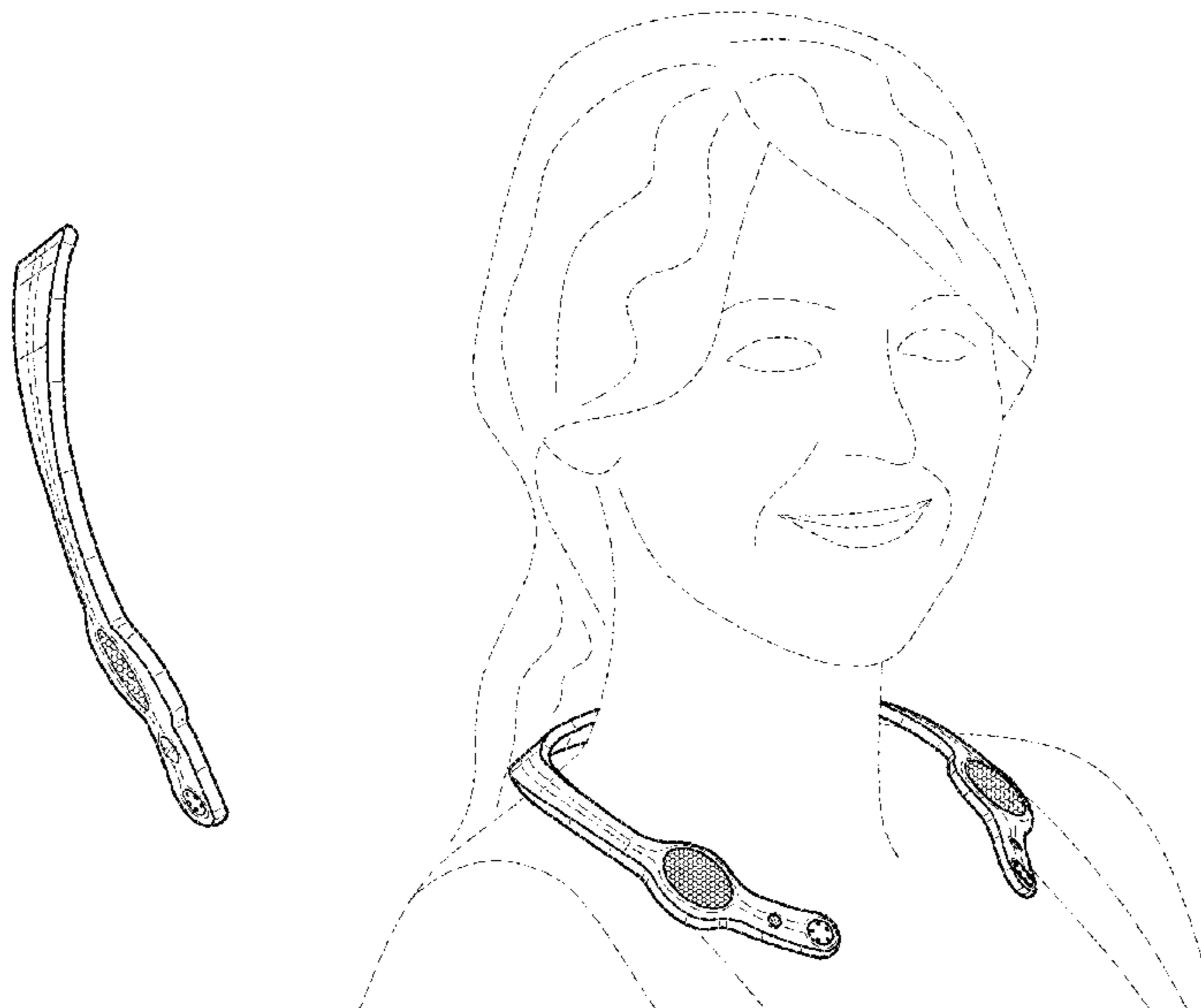
(57) **CLAIM**

The ornamental design for an electronic collar worn around the human neck, for wireless communication with a smart phone, as shown and described.

DESCRIPTION

FIG. 1 is a perspective view of the electronic collar;
FIG. 2 is a plan view of the electronic collar;
FIG. 3 is a left side elevation view of the electronic collar;
FIG. 4 is a back side plan view of the electronic collar;
FIG. 5 is a right side elevation view of the electronic collar;
FIG. 6 is a front elevation view of the electronic collar;
FIG. 7 is a backside elevation view of the electronic collar;
and,
FIG. 8 is a perspective view of the electronic collar worn around the human neck.
The broken lines adjacent the shaded areas are directed to environment that are for illustrative purposes only; the broken lines form no part of the claimed design.

1 Claim, 5 Drawing Sheets



(56)

References Cited

U.S. PATENT DOCUMENTS

6,799,018 B1 * 9/2004 Lam H04B 10/11
381/301
D504,177 S * 4/2005 Erfan D14/205
D512,981 S * 12/2005 Jacobson D14/205
D514,552 S * 2/2006 Lee D14/205
D516,540 S * 3/2006 Beauchemin D14/192
D525,235 S * 7/2006 Koizumi D14/205
D533,539 S * 12/2006 Mah D14/205
7,212,645 B2 * 5/2007 Le Gette H04R 1/06
381/301
D550,202 S * 9/2007 Meier D14/206
D557,685 S * 12/2007 Lee D14/205
D575,268 S * 8/2008 Christopher D14/205
D576,149 S * 9/2008 Malik D14/205
D579,442 S * 10/2008 Kim D14/205
D593,067 S * 5/2009 Millora D14/205
D593,538 S * 6/2009 Chon D14/205
D594,442 S * 6/2009 Chon D14/205
D596,617 S * 7/2009 Devlas D14/205
D604,269 S * 11/2009 Choe D14/205
D617,308 S * 6/2010 Nousiainen D14/205
7,920,902 B2 * 4/2011 Carroll H04M 1/6066
381/74
D643,830 S * 8/2011 Fish D14/205
8,144,913 B1 * 3/2012 Myles, Jr. A47C 7/383
381/333
8,155,368 B2 * 4/2012 Cheung H04R 5/0335
379/430
D663,714 S * 7/2012 Kang D14/205
D669,881 S * 10/2012 Clements D14/205
D678,858 S * 3/2013 Feng D14/205
8,433,082 B2 * 4/2013 Abolfathi H04R 1/46
381/151

D686,189 S * 7/2013 Lu D14/205
D703,634 S * 4/2014 Han H04R 1/1016
D14/205
D706,745 S * 6/2014 Nakagawa H04R 1/1066
D14/205
D707,199 S * 6/2014 Cepress H04R 1/10
D14/205
D712,371 S * 9/2014 Henning D14/205
D716,759 S * 11/2014 Ha D14/205
D721,673 S * 1/2015 Park D14/205
8,934,654 B2 * 1/2015 Fullam H04R 1/028
381/381
D723,510 S * 3/2015 Ishikura D14/205
D730,867 S * 6/2015 Park D14/205
D731,999 S * 6/2015 Cepress D14/205
D733,091 S * 6/2015 Heinonen D14/205
D736,740 S * 8/2015 Hwang D14/205
D740,785 S * 10/2015 Chen D14/205
D752,542 S * 3/2016 Lamar D14/205
D756,959 S * 5/2016 Lee D14/205
D766,869 S * 9/2016 Lee D14/205
D771,010 S * 11/2016 Louis D11/3
D772,195 S * 11/2016 Lee D14/205
D777,137 S * 1/2017 Erbeus G06Q 50/24
D14/205
2007/0274335 A1 * 11/2007 Miyata H04B 7/0617
370/458
2011/0170702 A1 * 7/2011 Bays H04R 5/0335
381/74
2013/0329903 A1 * 12/2013 Ting H04R 1/105
381/74
2016/0050487 A1 * 2/2016 Kim H04R 1/323
381/74
2016/0088378 A1 * 3/2016 Hsu Huang H04R 1/1008
381/334

* cited by examiner

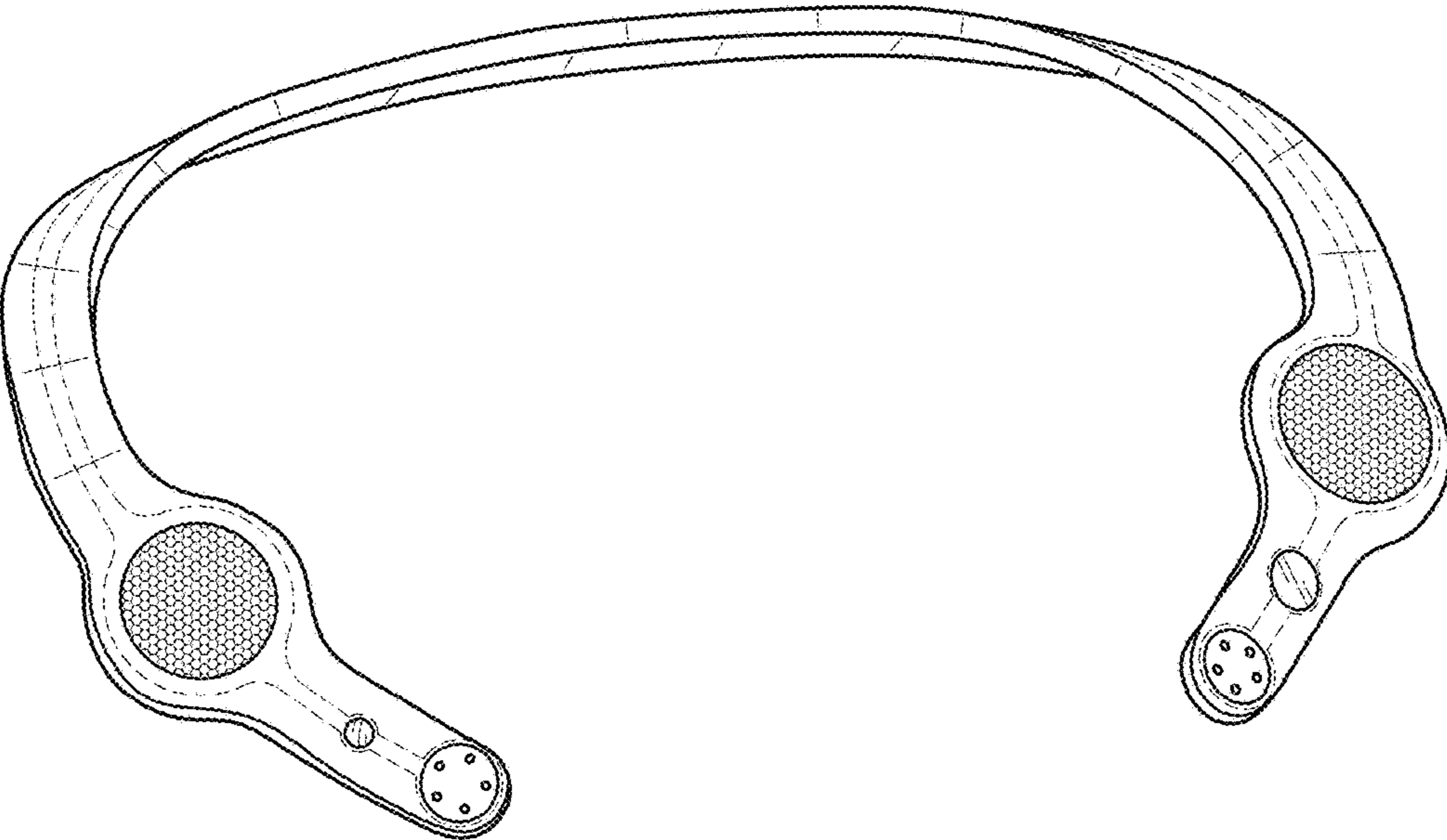


FIG. 1

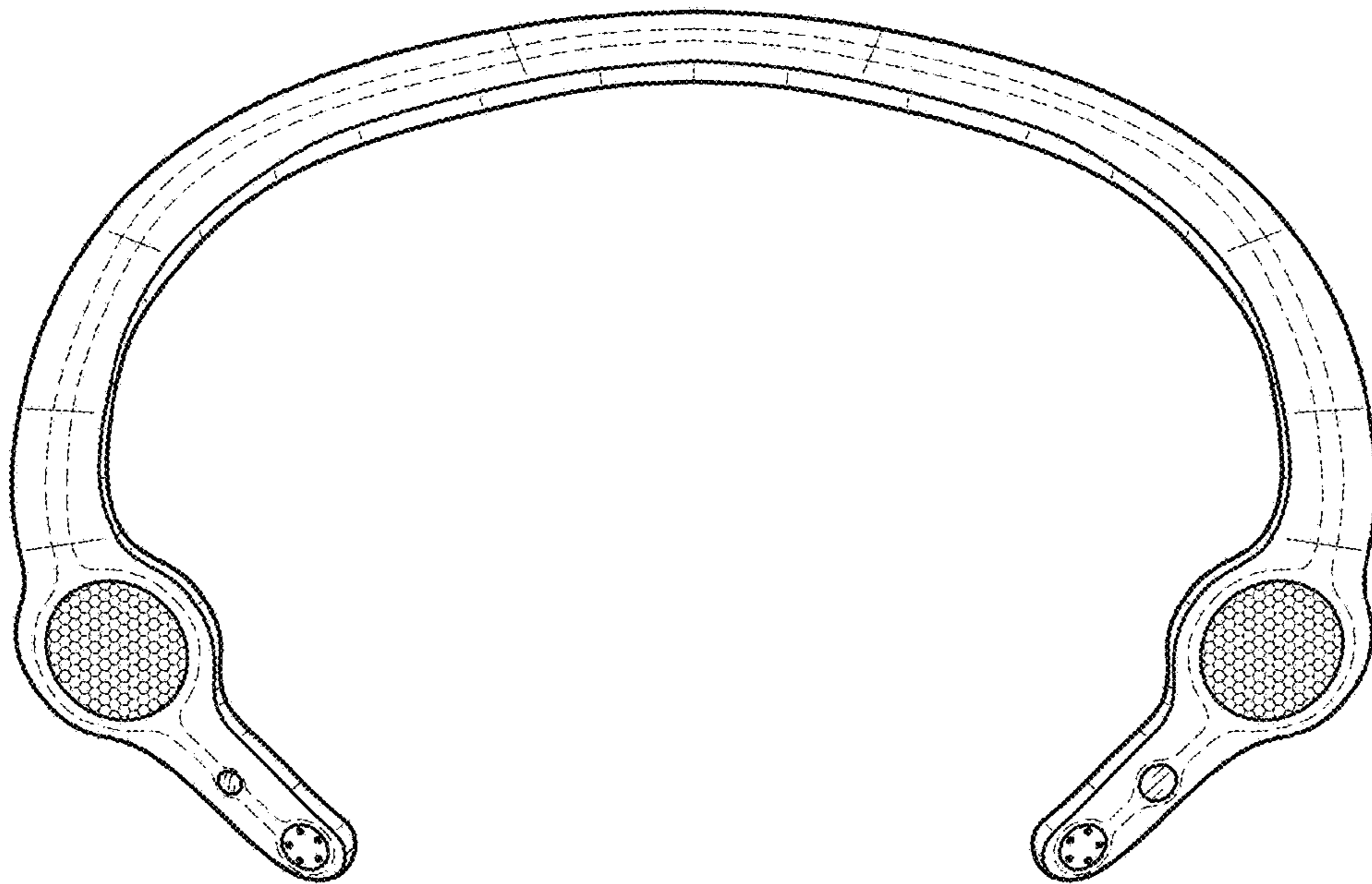


FIG. 2

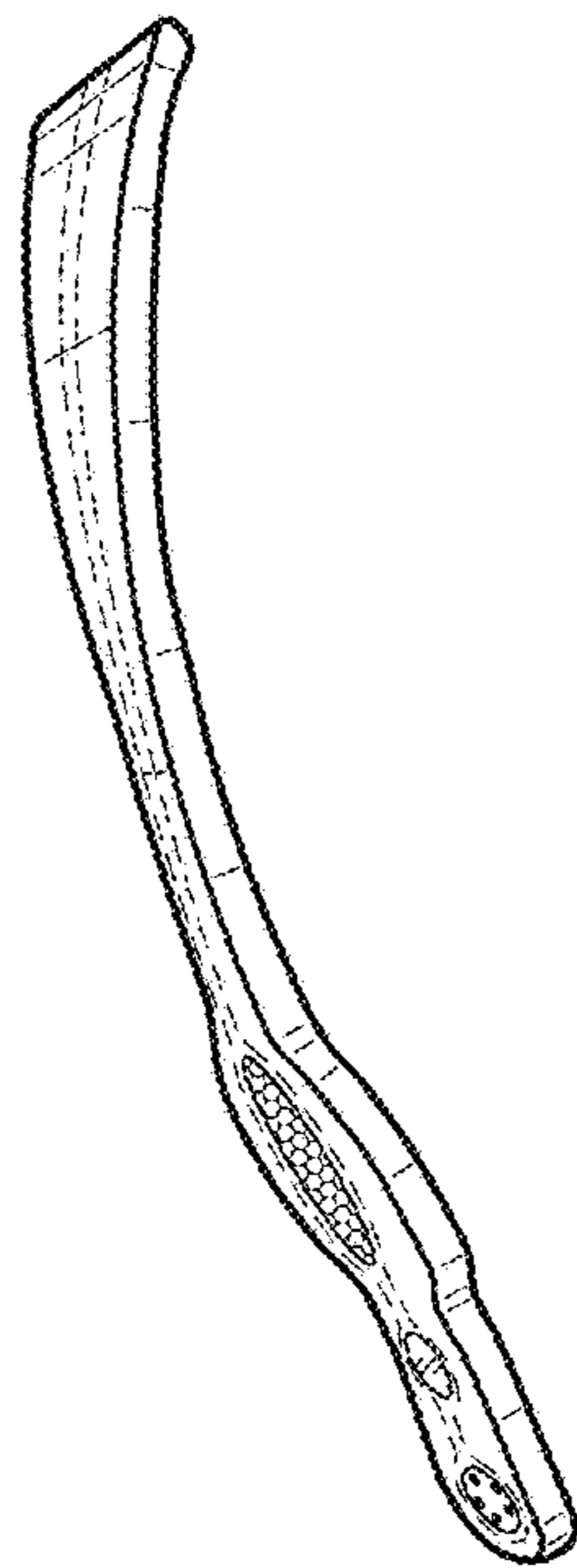


FIG. 3

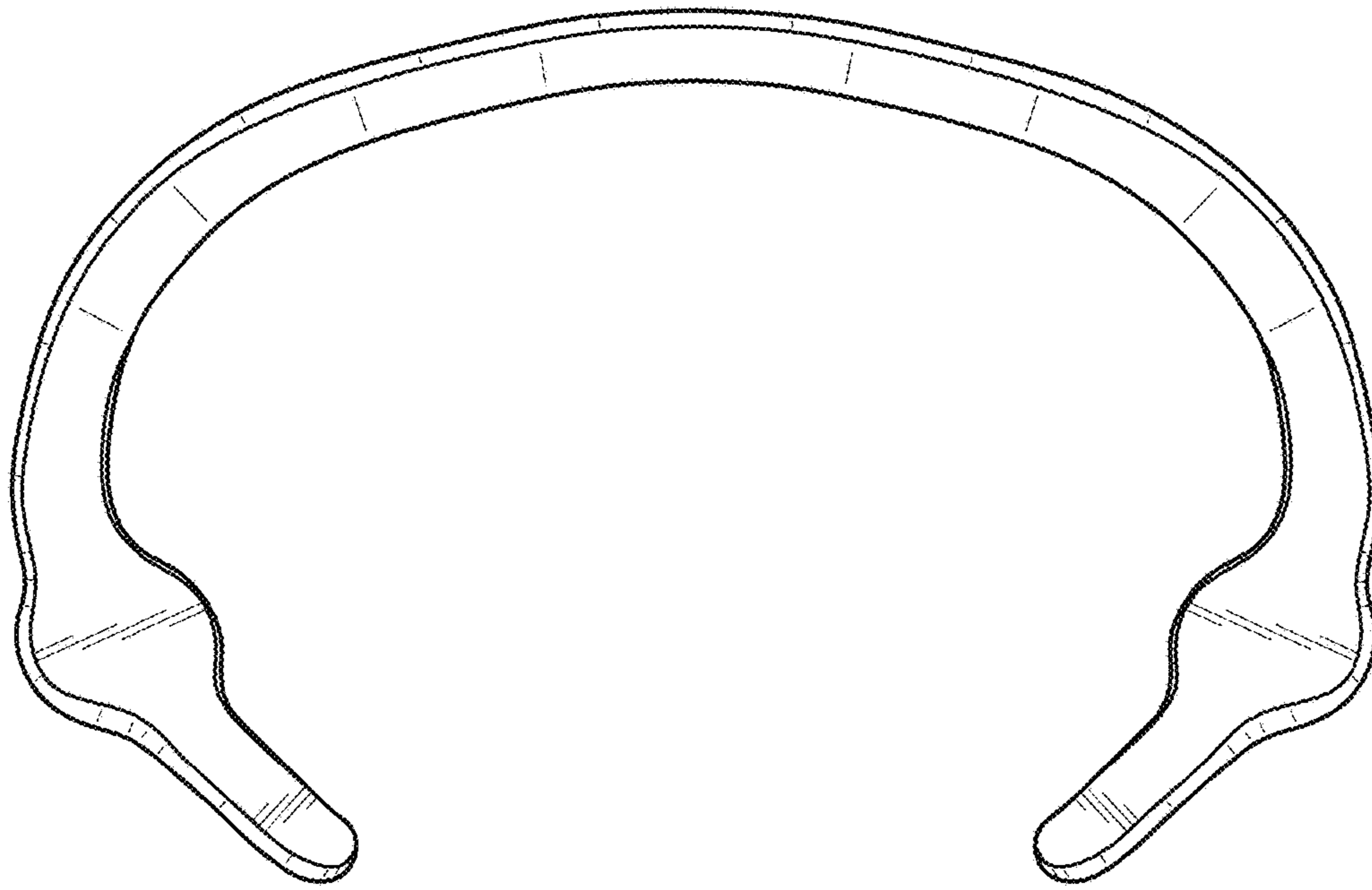


FIG. 4

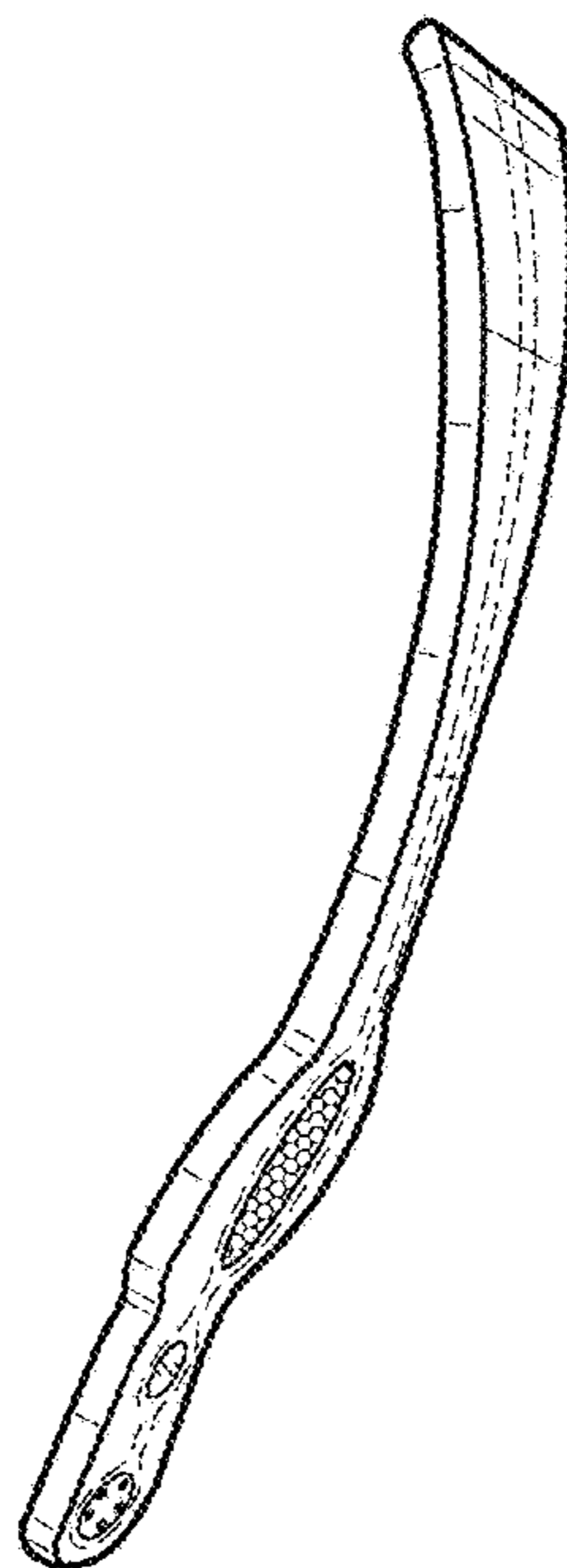


FIG. 5

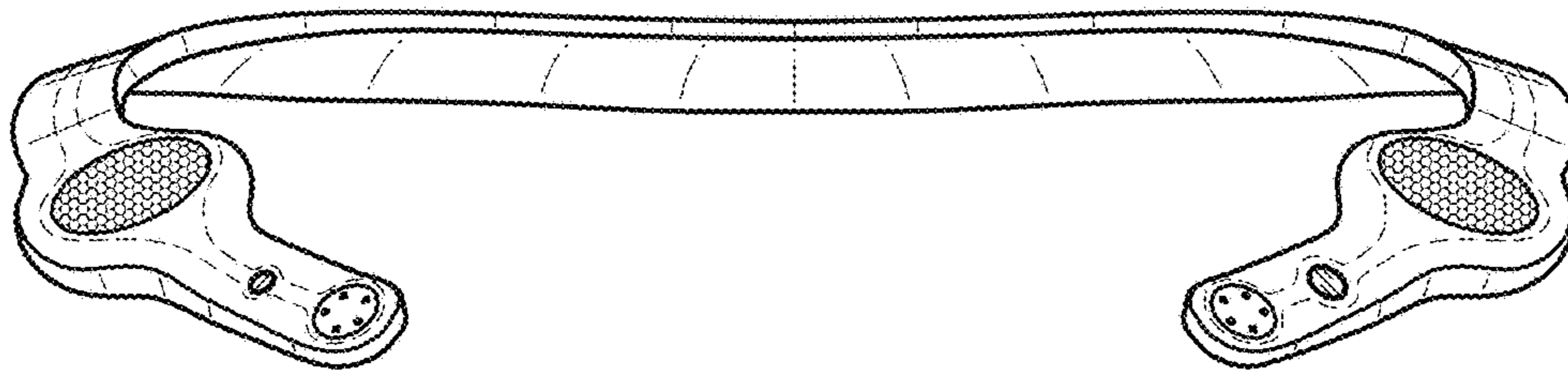


FIG. 6

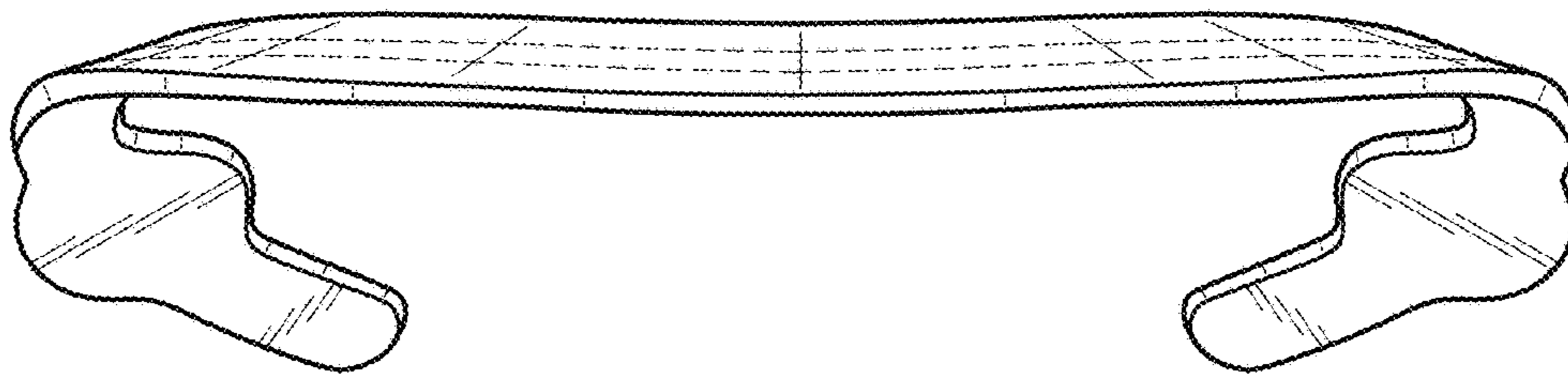


FIG. 7

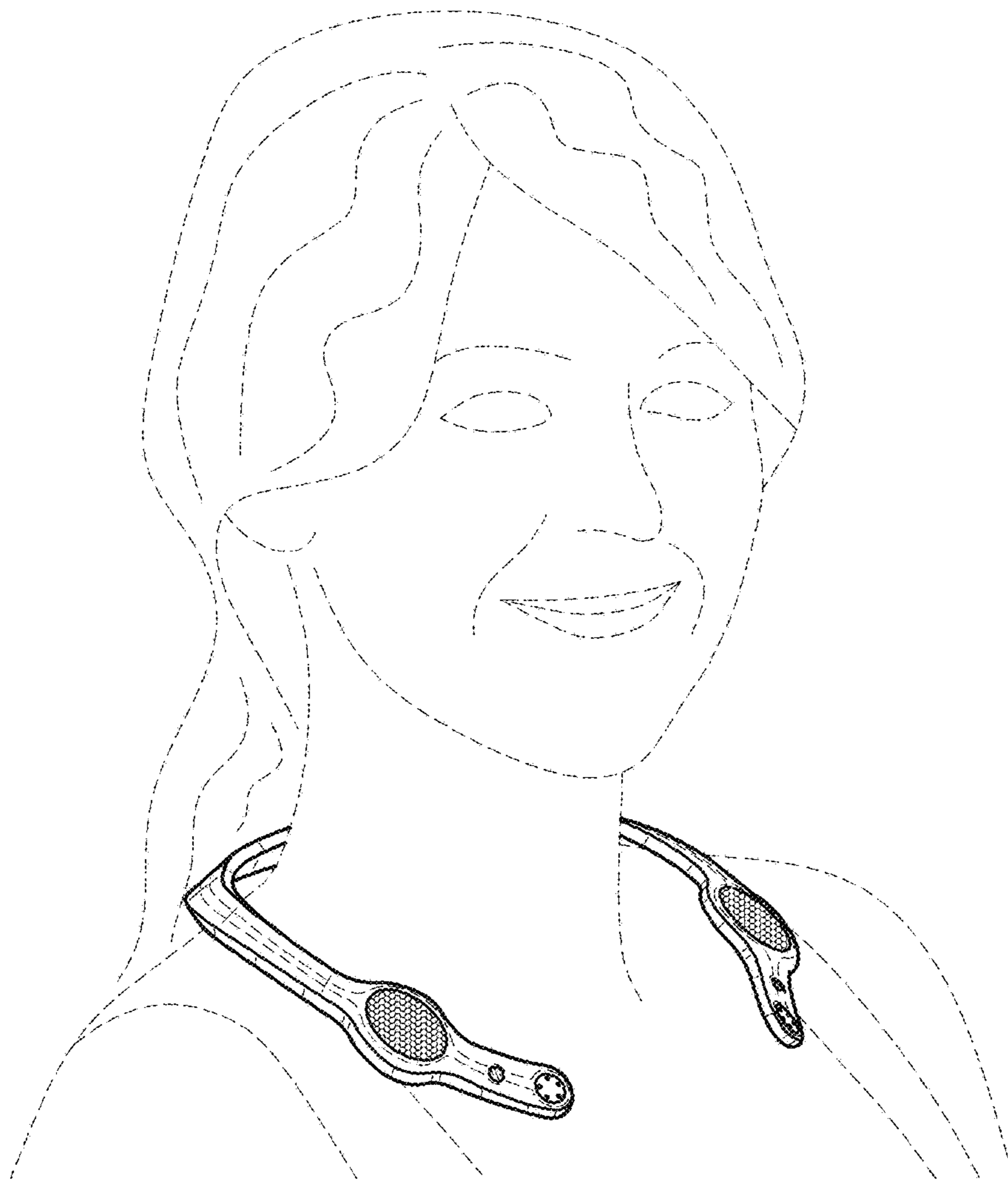


FIG. 8