



US00D842265S

(12) **United States Design Patent** (10) **Patent No.:** **US D842,265 S**
Becker et al. (45) **Date of Patent:** **** Mar. 5, 2019**

(54) **SPEAKER**
(71) Applicant: **Dometic Sweden AB**, Solna (SE)
(72) Inventors: **Kent A. Becker**, Huntertown, IN (US);
Samuele Meda, Solna (SE); **Mikael Thelin**, Huddinge (SE)

8,453,659 B2 6/2013 Li
D718,736 S * 12/2014 Thompson D14/168
D754,109 S * 4/2016 Kelly D14/240
D763,818 S * 8/2016 Yang D14/204
D826,296 S * 8/2018 Noorazar D15/122
2007/0242450 A1 10/2007 Blatecky
2011/0170704 A1 7/2011 Smith et al.

(73) Assignee: **Dometic Sweden AB**, Solna (SE)

FOREIGN PATENT DOCUMENTS

(**) Term: **15 Years**

WO 2010098735 9/2010

(21) Appl. No.: **29/626,917**

OTHER PUBLICATIONS

(22) Filed: **Nov. 21, 2017**

Dometic; 2016 Product Catalog, PowerChannel Accessories, 3 pages, Nov. 18, 2015.

(51) **LOC (11) Cl.** **14-01**

(Continued)

(52) **U.S. Cl.**
USPC **D14/204**

Primary Examiner — Derrick E Holland
Assistant Examiner — Janice Patyk

(58) **Field of Classification Search**
USPC D14/188, 203.1, 203.3, 204, 210–216,
D14/219, 221, 356, 363, 365–368, 496;
181/143, 144, 148, 153, 157, 198, 199;
369/6–12; 381/300–303, 361–364,
381/386–388

(74) *Attorney, Agent, or Firm* — Middleton Reutlinger

CPC H04R 1/02; H04R 1/021; H04R 1/023;
H04R 5/00; H04R 9/06; H04R 2420/07

(57) **CLAIM**

See application file for complete search history.

The ornamental design for a speaker, as shown and described.

DESCRIPTION

(56) **References Cited**

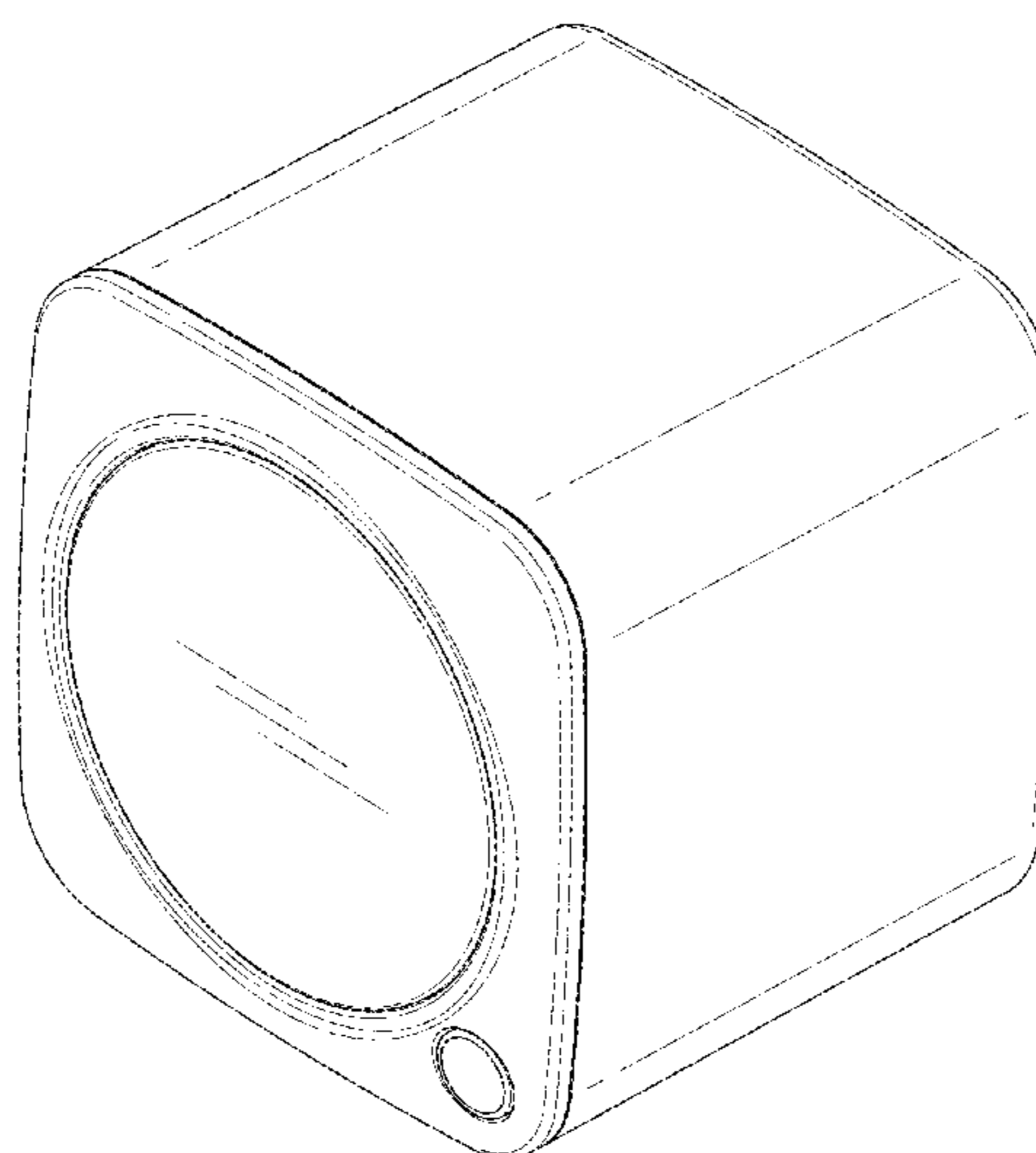
FIG. 1 is a first perspective view of a speaker, showing our new design;
FIG. 2 is a top view of the speaker of FIG. 1;
FIG. 3 is a bottom view of the speaker of FIG. 1;
FIG. 4 is a side view of the speaker of FIG. 1;
FIG. 5 is an opposite side view of the speaker of FIG. 1;
FIG. 6 is a front view of the speaker of FIG. 1;
FIG. 7 is a rear view of the speaker of FIG. 1; and,
FIG. 8 is a second perspective view of the speaker of FIG. 1.

U.S. PATENT DOCUMENTS

4,915,670 A 4/1990 Nesbit
4,936,594 A 6/1990 Oliver, III
5,273,062 A 12/1993 Mozdzanowski
6,017,188 A 1/2000 Benton
6,439,249 B1 8/2002 Pan et al.
6,764,133 B2 7/2004 Osato
D561,168 S * 2/2008 Song D14/188
D576,486 S * 9/2008 Koza D9/432
7,778,624 B2 8/2010 Li
8,061,374 B2 11/2011 Li
8,393,341 B2 3/2013 Li

The broken lines in the figures illustrate the portions of the design that form no part of the claimed design.

1 Claim, 8 Drawing Sheets



(56)

References Cited

OTHER PUBLICATIONS

Dometic; Dometic "FreeStyle" Bluetooth-Enabled Portable Awning Speaker, 2012.

Ecoxgear; Bluetooth Waterproof Portable Speaker System; www.bjs.com/ecogear-bluetooth-waterproof-portable-speaker-system--red_product.227498, Jan. 7, 2014.

Home Depot; Ion 10-Watt Wireless Bluetooth Speaker with Built-in-Clip; <http://www.homedepot.com/p/Ion-10-Watt-Wireless-Bluetooth-Speaker-with-Built-in-Clip-Red-ISP29R/204325987>, Jan. 7, 2014.

Camping World; Portable Speaker Case; <http://www.campingworld.com/shopping/item/portable-speaker-case/58398>, May 5, 2012.

Design U.S. Appl. No. 29/626,926 entitled "Double Speaker" filed Nov. 21, 2017.

* cited by examiner

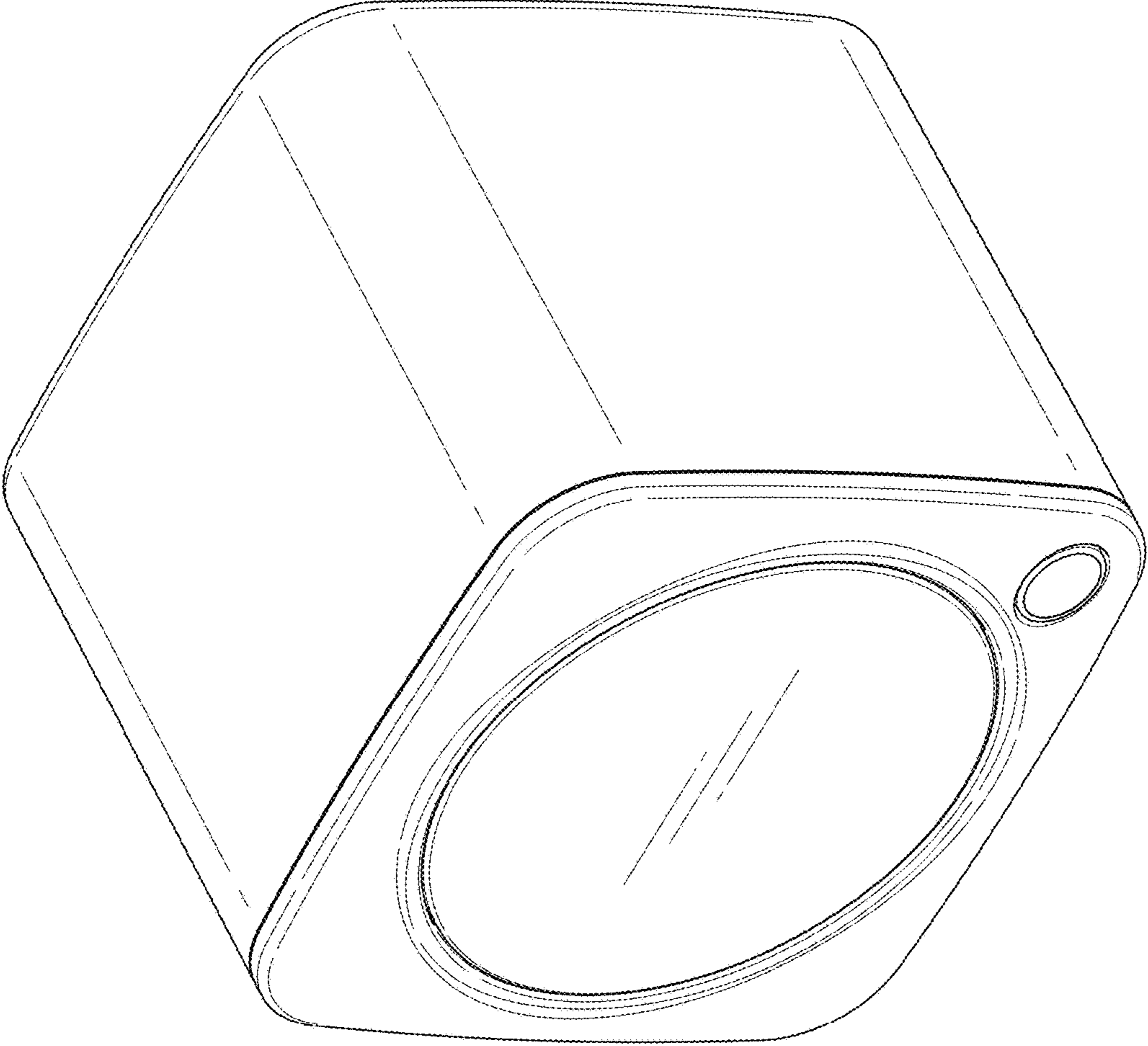


FIG. 1

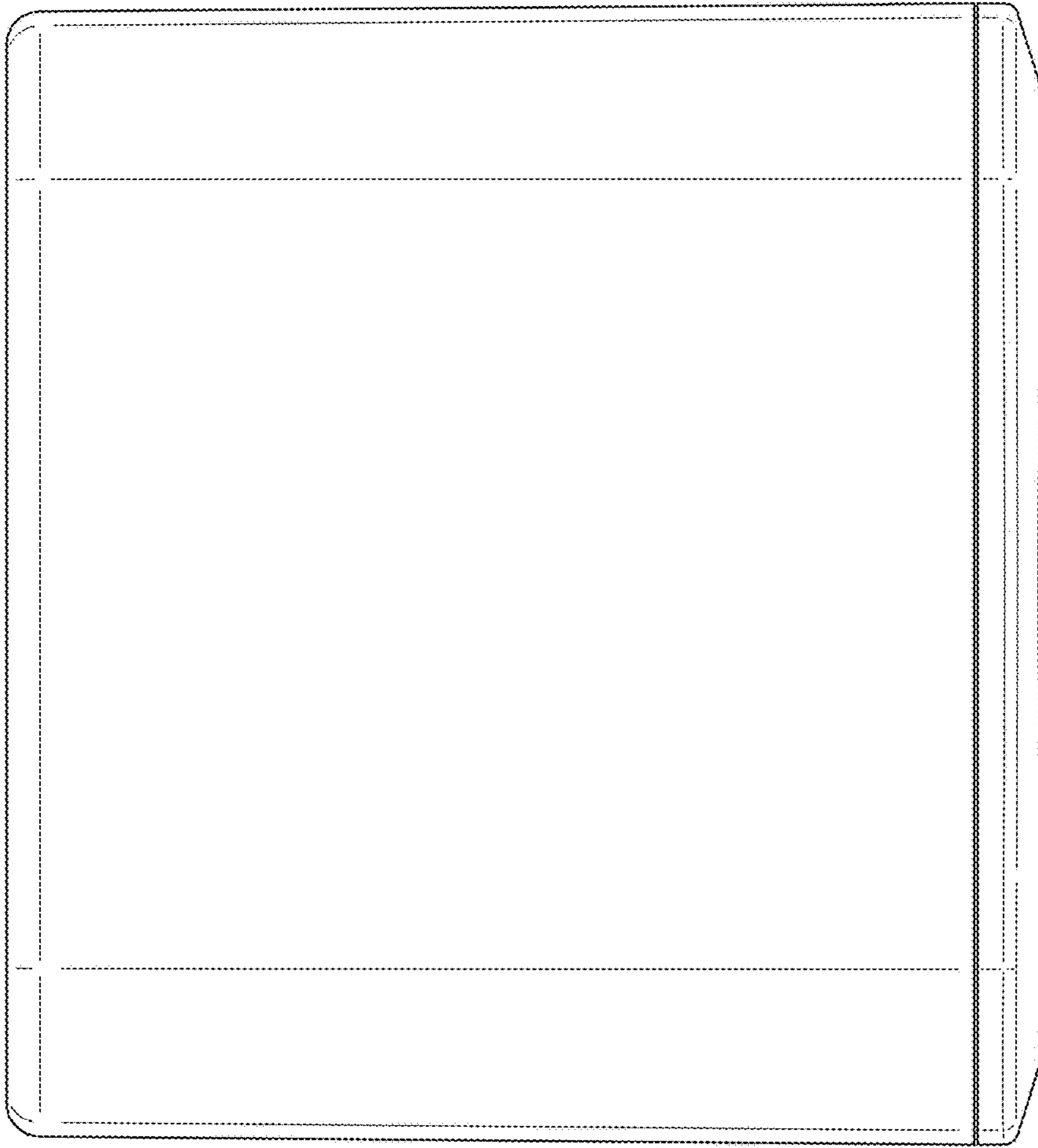


FIG. 2

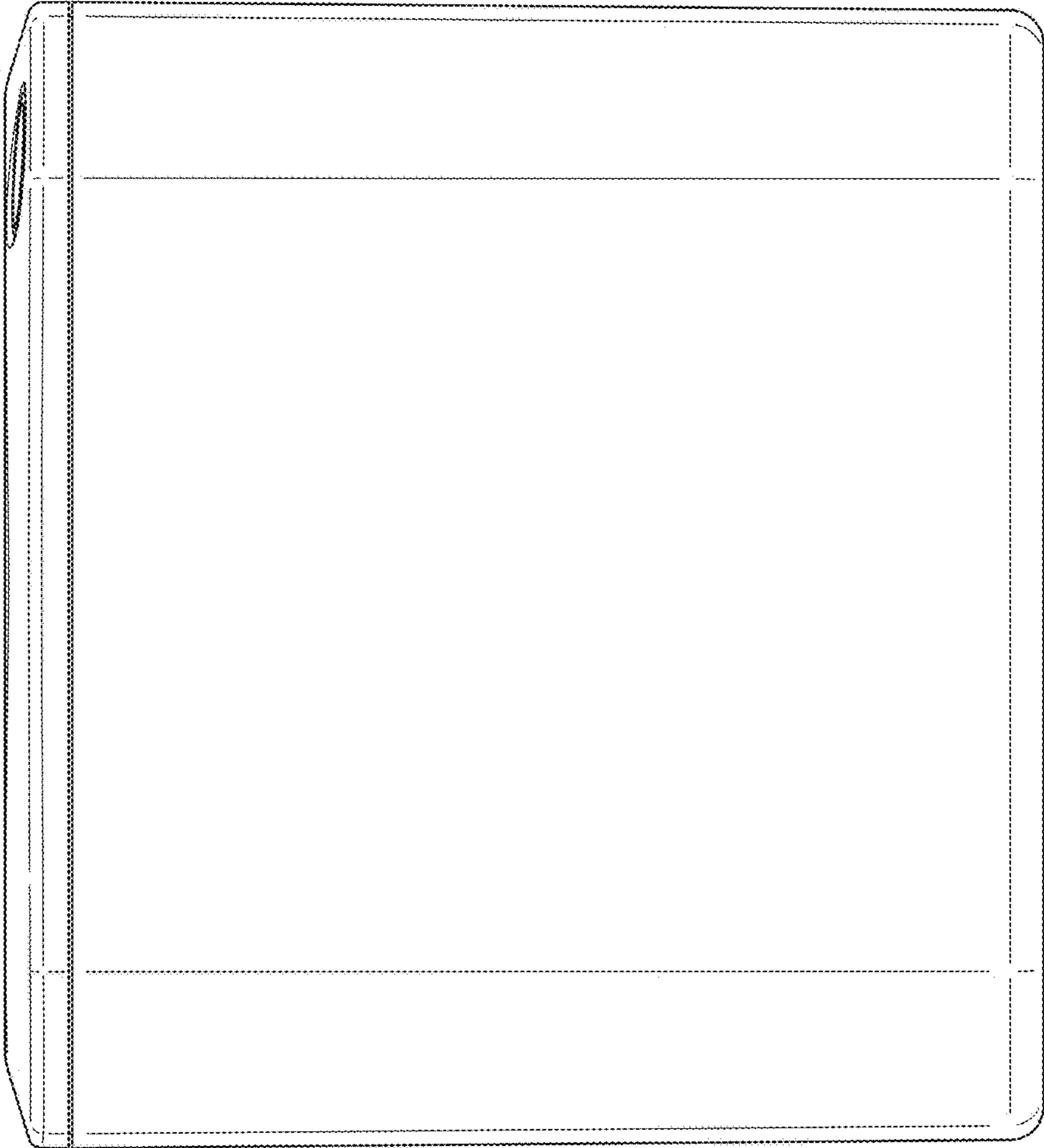


FIG. 3

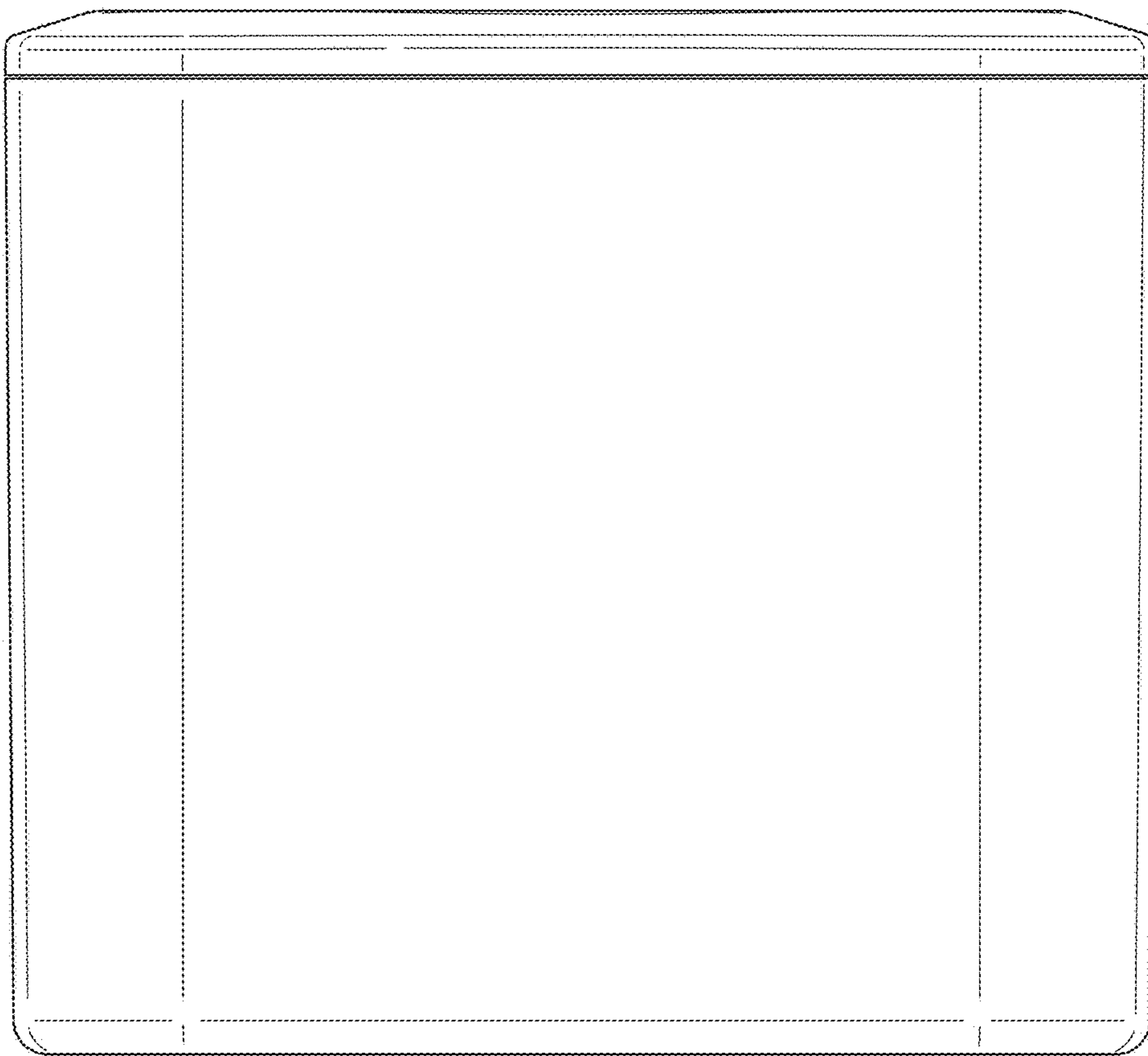


FIG. 4

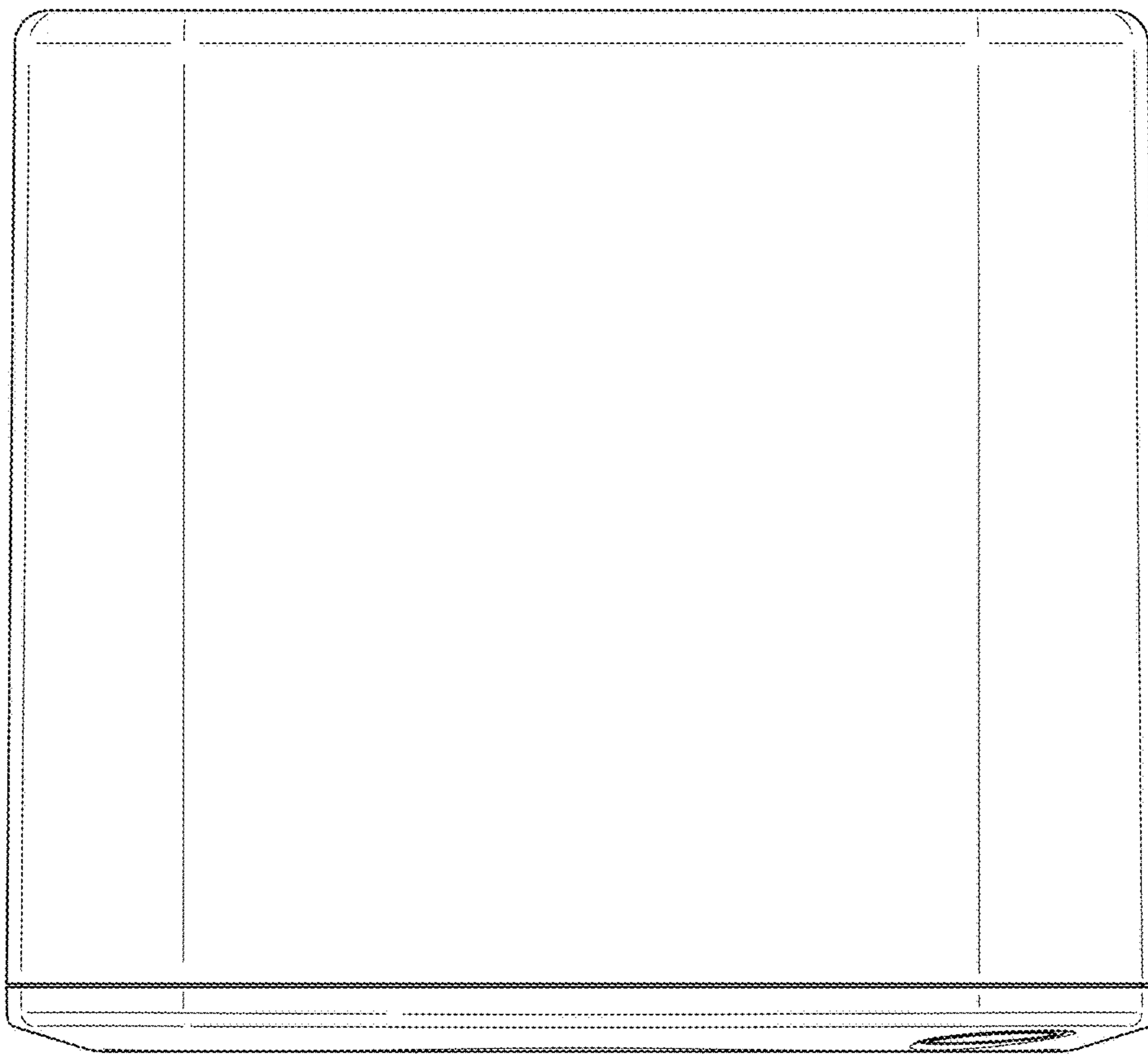


FIG. 5

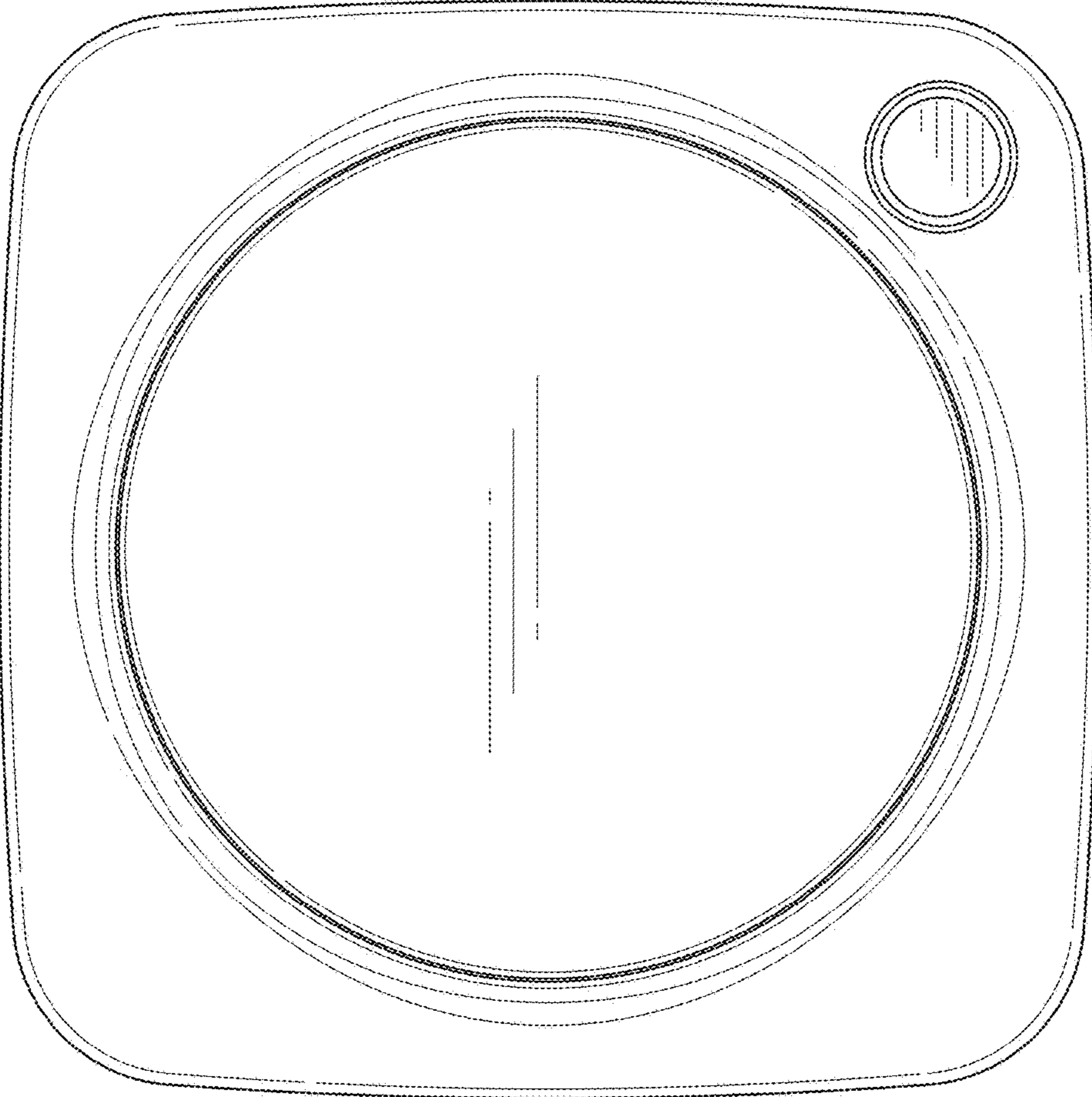


FIG. 6

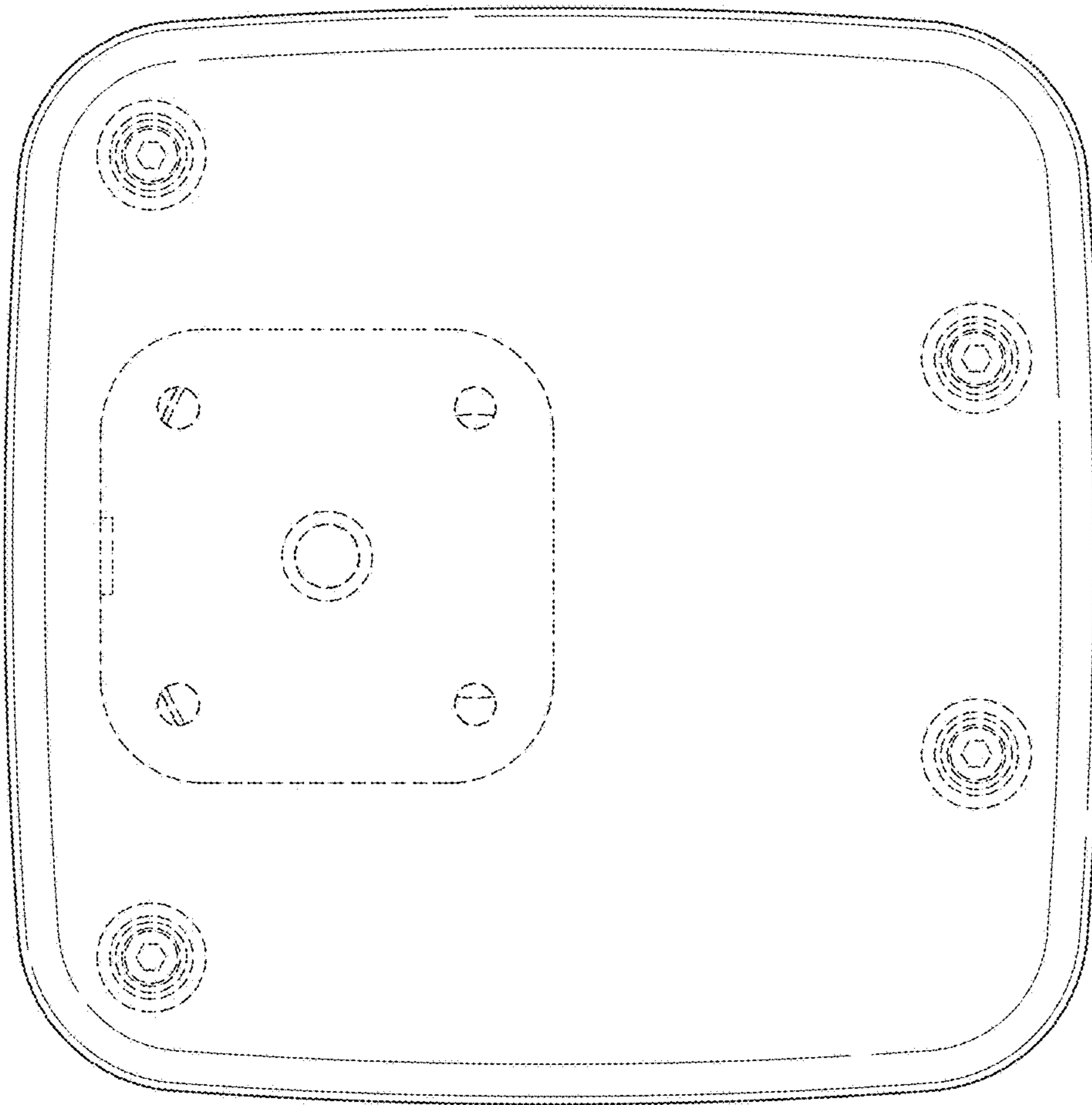


FIG. 7

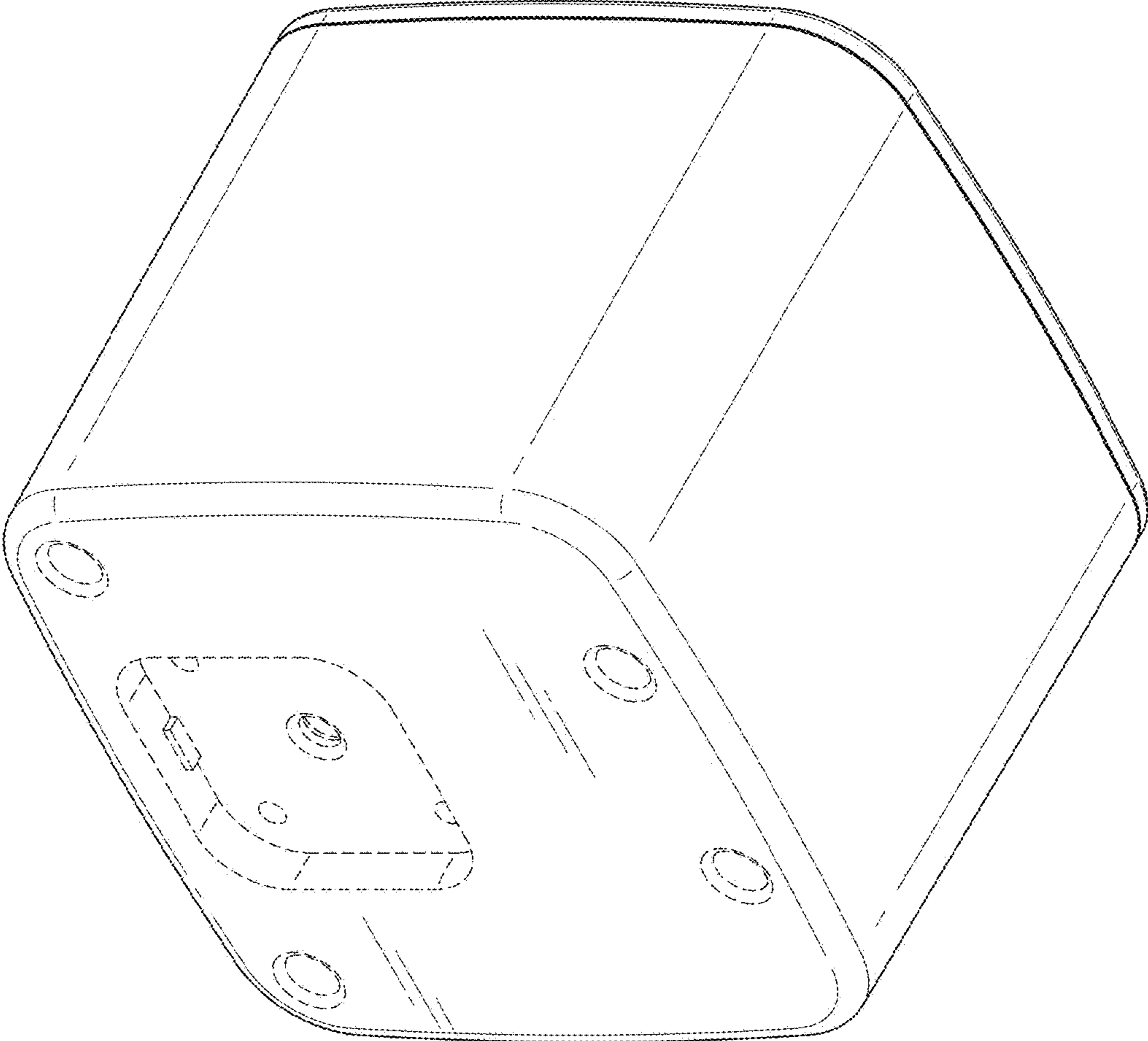


FIG. 8