

US00D842264S

(12) **United States Design Patent**
Cheung et al.

(10) **Patent No.:** **US D842,264 S**

(45) **Date of Patent:** **** Mar. 5, 2019**

(54) **WIRELESS SPEAKER**

(71) Applicant: **Serene Innovations, Inc.**, La Mirada,
CA (US)

(72) Inventors: **George F. Cheung**, La Mirada, CA
(US); **Peter Lee**, Huntington Beach, CA
(US)

(**) Term: **15 Years**

(21) Appl. No.: **29/604,487**

(22) Filed: **May 17, 2017**

Related U.S. Application Data

(63) Continuation-in-part of application No. 14/535,108,
filed on Nov. 6, 2014.

(51) **LOC (11) Cl.** **14-01**

(52) **U.S. Cl.**
USPC **D14/204**

(58) **Field of Classification Search**

USPC D14/167, 168, 170–172, 188, 204, 209.1,
D14/210–216, 219, 221, 222, 224;
181/144, 148, 153, 157, 198; 369/6–12;
381/301–303, 306, 332, 334, 336, 345,
381/361–363, 386–388

CPC G06F 1/1688; H04R 1/02; H04R 1/025;
H04R 1/026; H04R 1/323; H04R 1/403;
H04R 1/2803; H04R 1/2834; H04R 5/02;
H04R 9/06; H04R 2201/021; H04R
2400/00; H04R 2400/07; H04R 2499/11
See application file for complete search history.

(56) **References Cited**

U.S. PATENT DOCUMENTS

D382,563 S * 8/1997 Shiono D14/211
6,104,674 A * 8/2000 Emoff G04F 1/005
368/109

D466,885 S * 12/2002 MacFarlane D14/204
D554,583 S * 11/2007 Solland D13/108
D606,979 S * 12/2009 Henry D14/218
D706,755 S * 6/2014 Barrall H04L 29/08
D14/299
D707,656 S * 6/2014 Brunner D14/216
D733,688 S * 7/2015 Han D14/210
D755,757 S * 5/2016 Brunner D14/216
D806,680 S * 1/2018 Demin D14/216

* cited by examiner

Primary Examiner — Derrick E Holland

Assistant Examiner — Janice Patyk

(74) *Attorney, Agent, or Firm* — Tsz Lung Yeung

(57) **CLAIM**

The ornamental design for a wireless speaker, as shown and described.

DESCRIPTION

FIG. 1 is a perspective view of a wireless speaker showing our new design.

FIG. 2 is a front view thereof.

FIG. 3 is a rear view thereof.

FIG. 4 is a left side view thereof.

FIG. 5 is a right side view thereof.

FIG. 6 is a top view thereof.

FIG. 7 is a bottom view thereof.

FIG. 8 is an exploded view thereof.

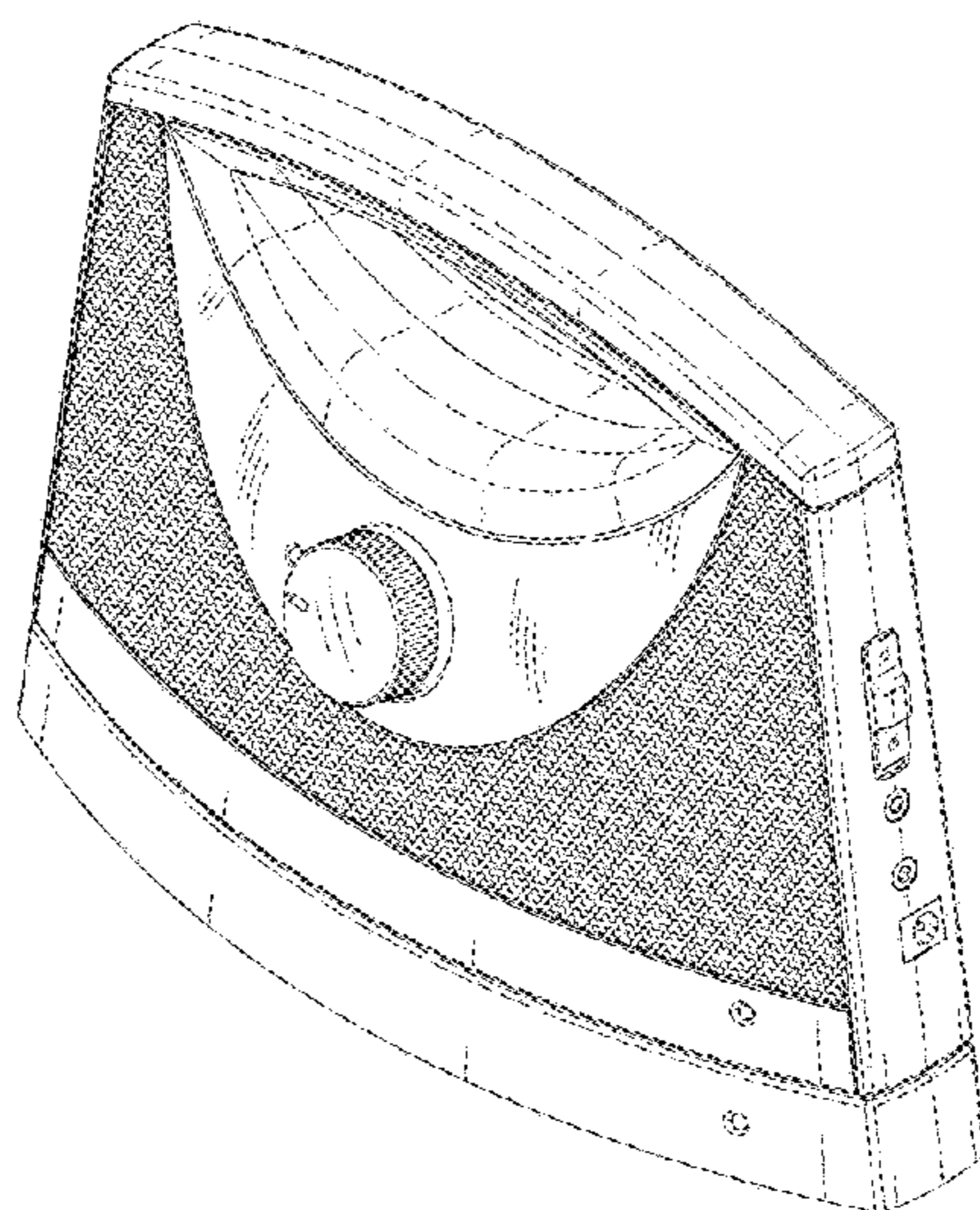
FIG. 9 is a bottom view thereof, shown without the base for ease of illustration.

FIG. 10 is a top view thereof, shown without the speaker portion for ease of illustration; and,

FIG. 11 is a bottom perspective view thereof, shown without the base for ease of illustration.

The broken lines in the figures illustrate the portions of the design that form no part of the claimed design.

1 Claim, 11 Drawing Sheets



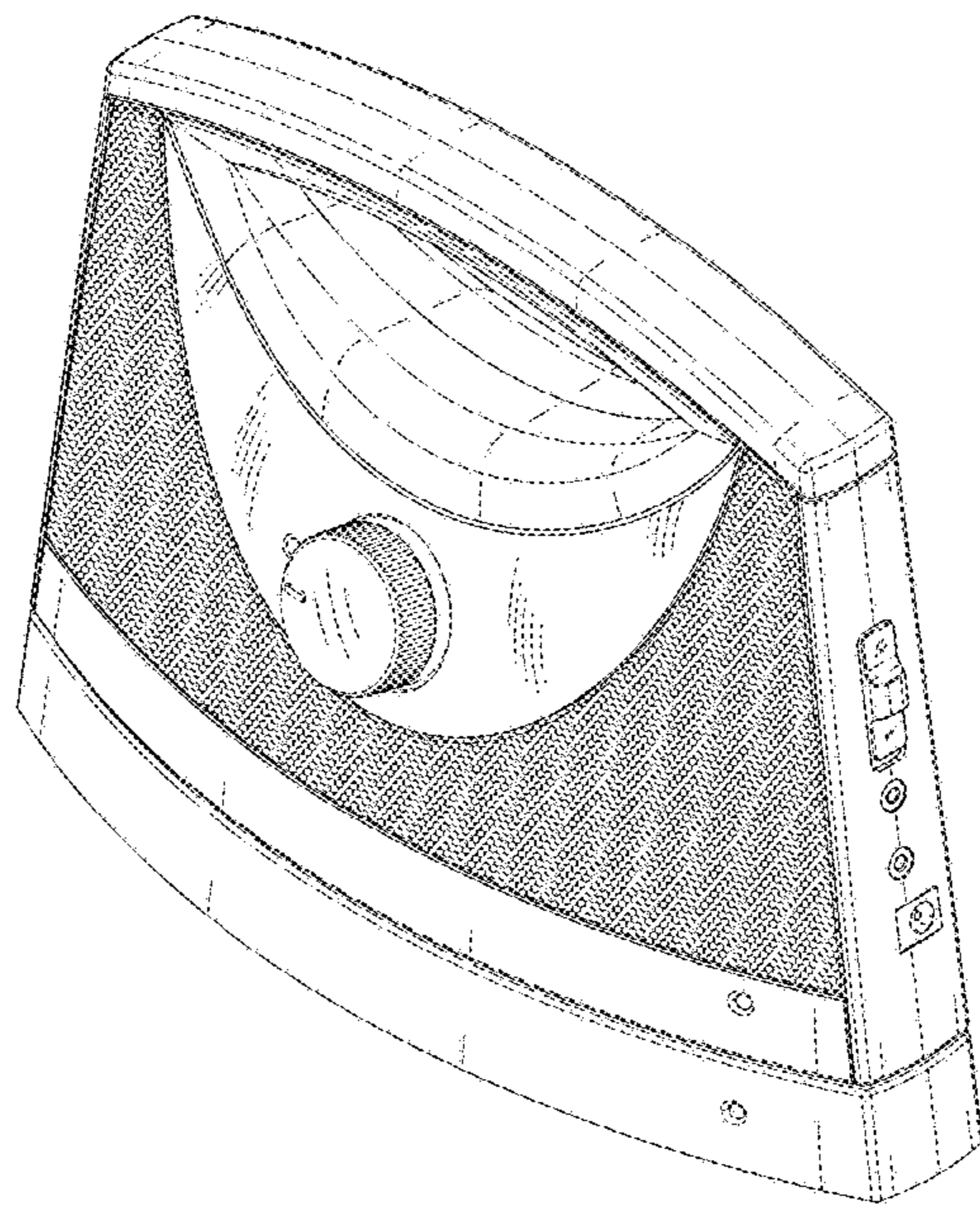


FIG.1

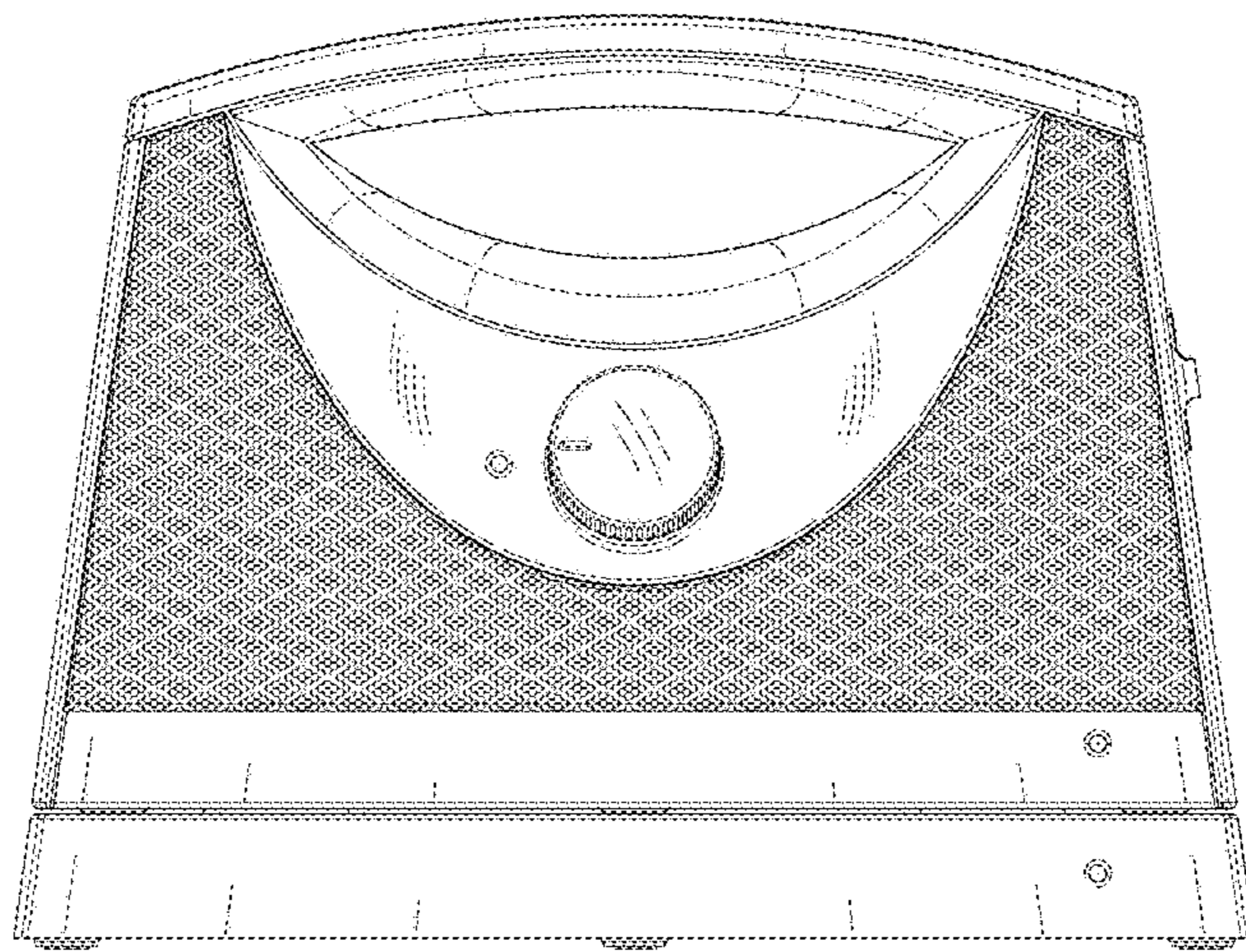


FIG.2

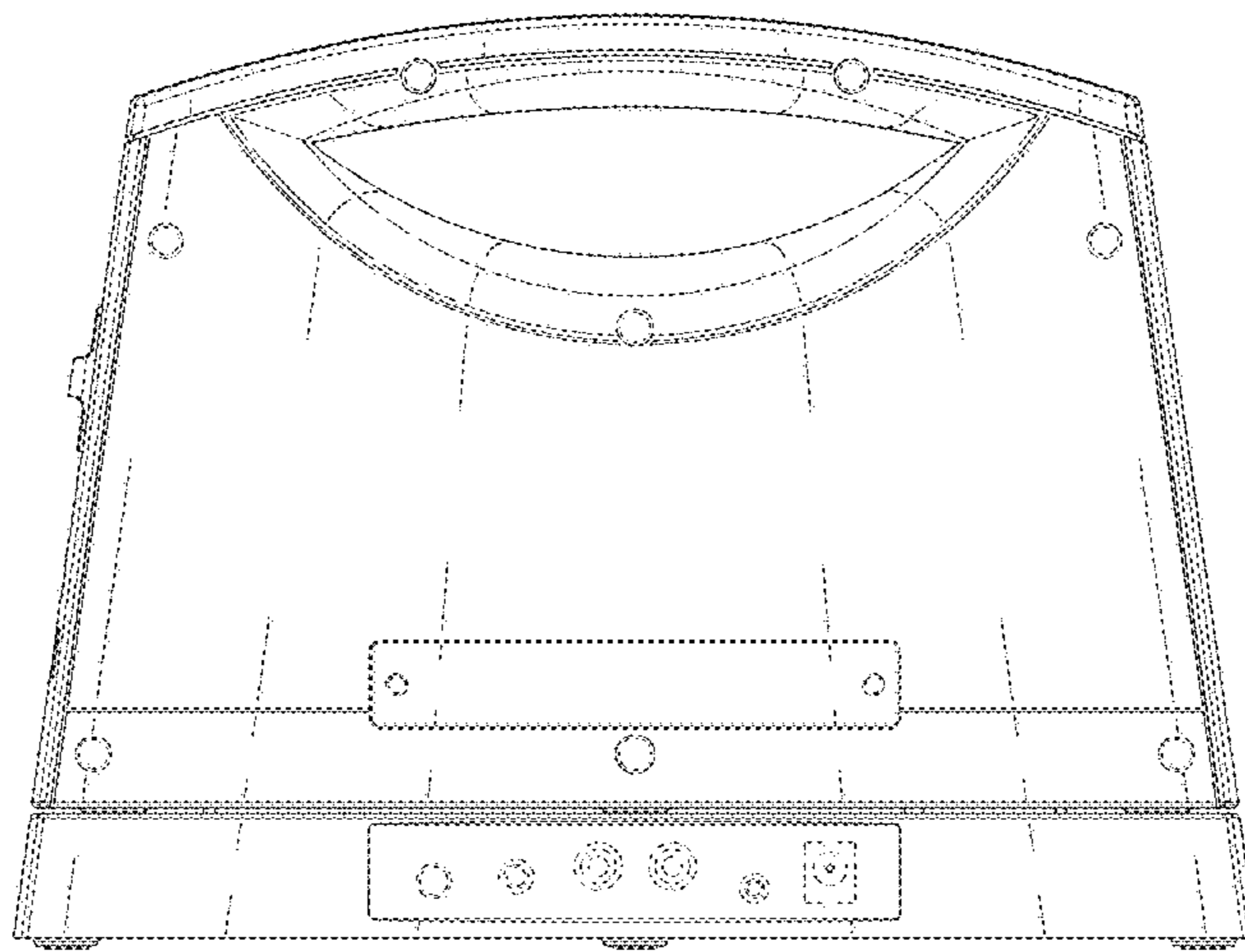


FIG. 3

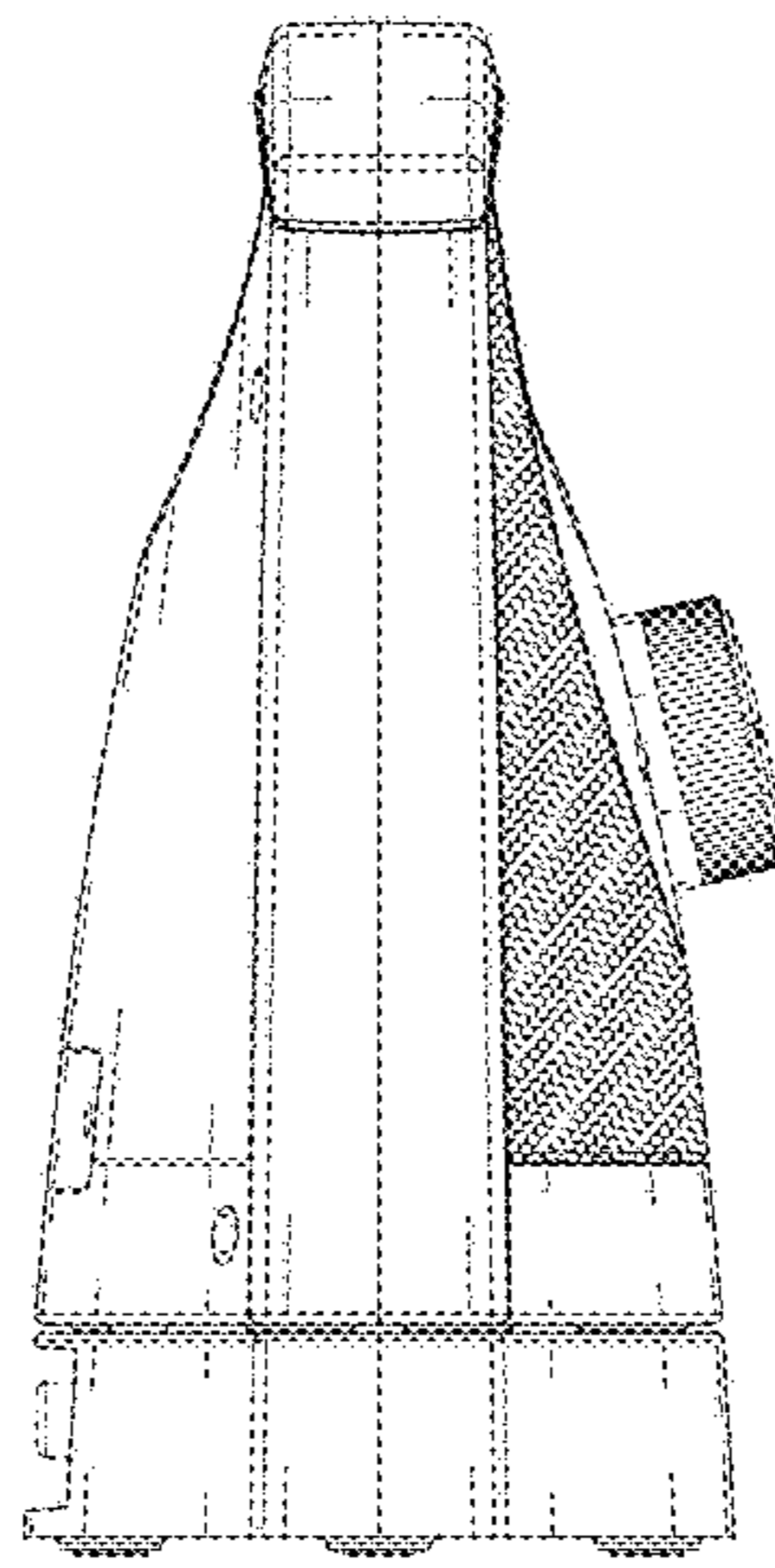


FIG.4

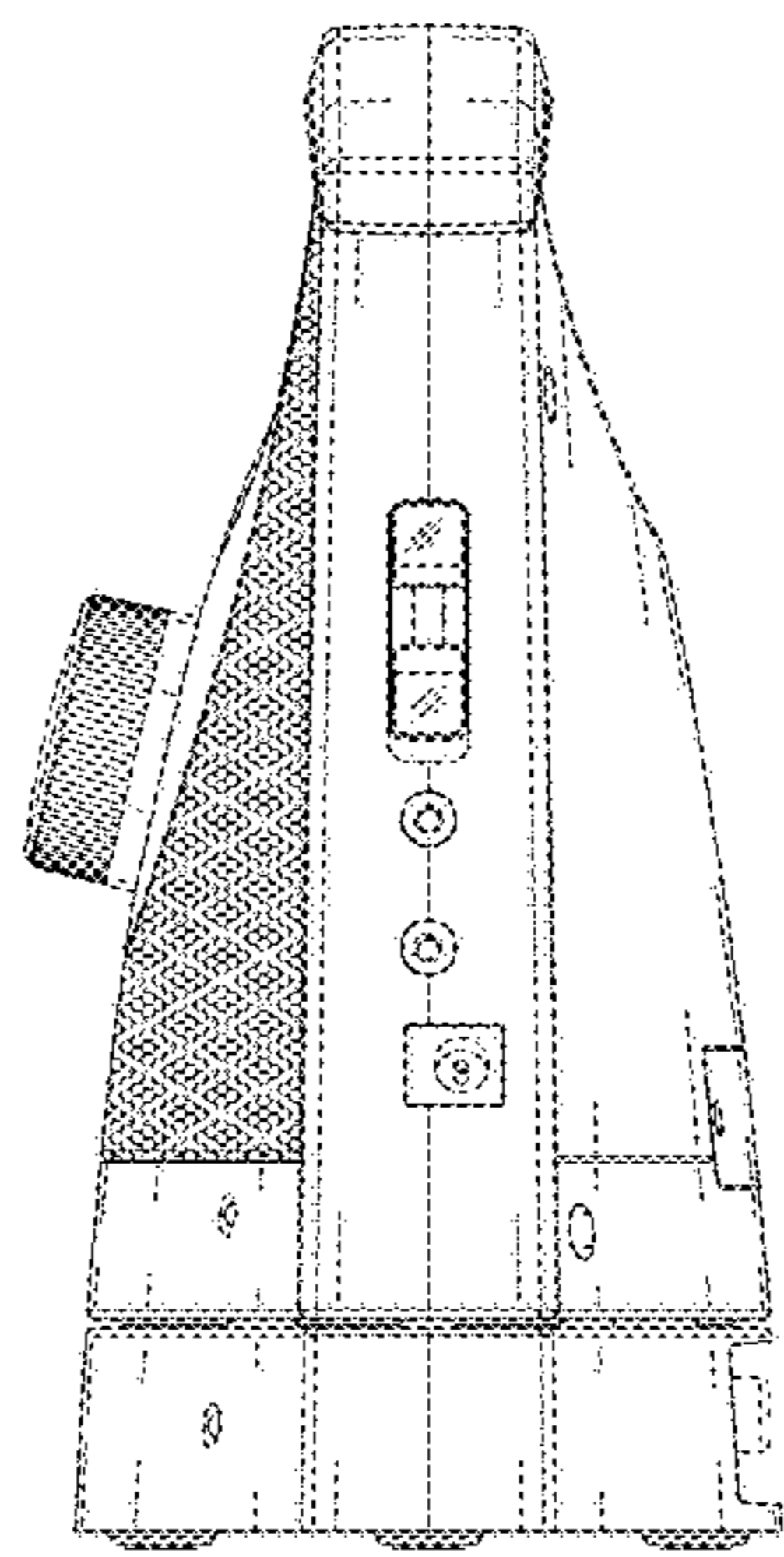


FIG.5

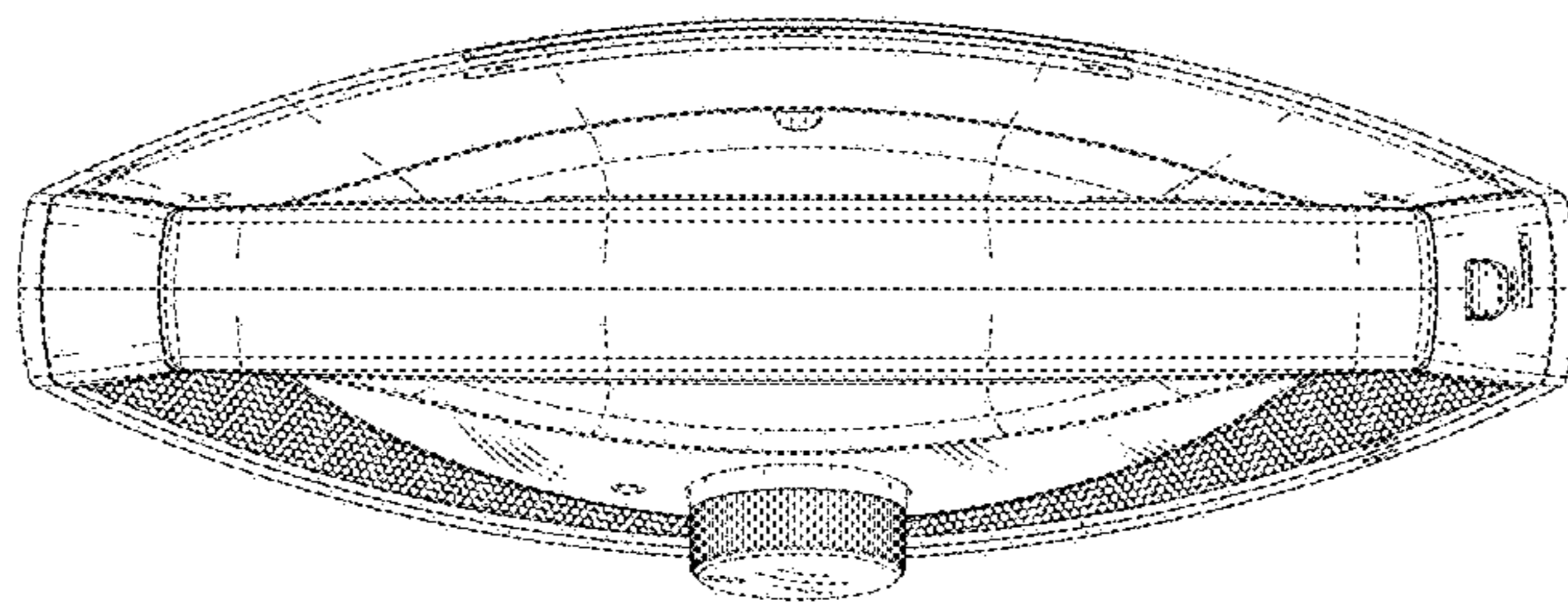


FIG.6

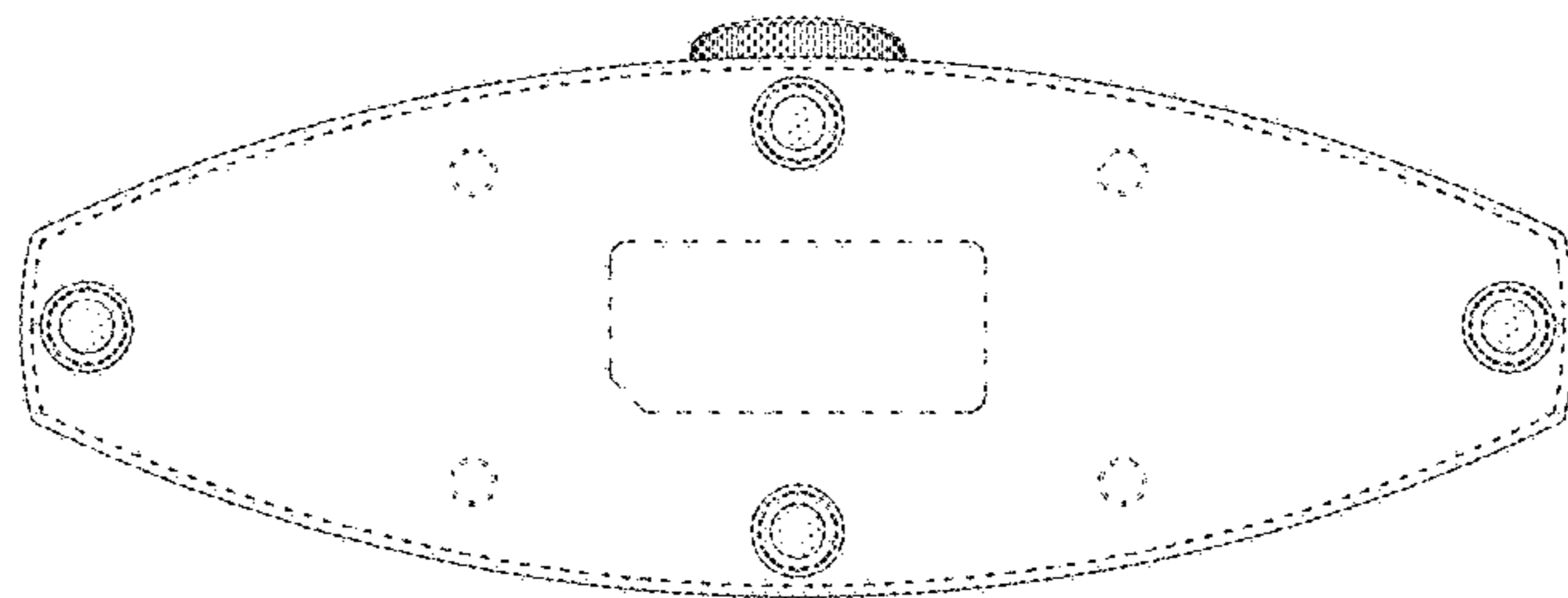


FIG. 7

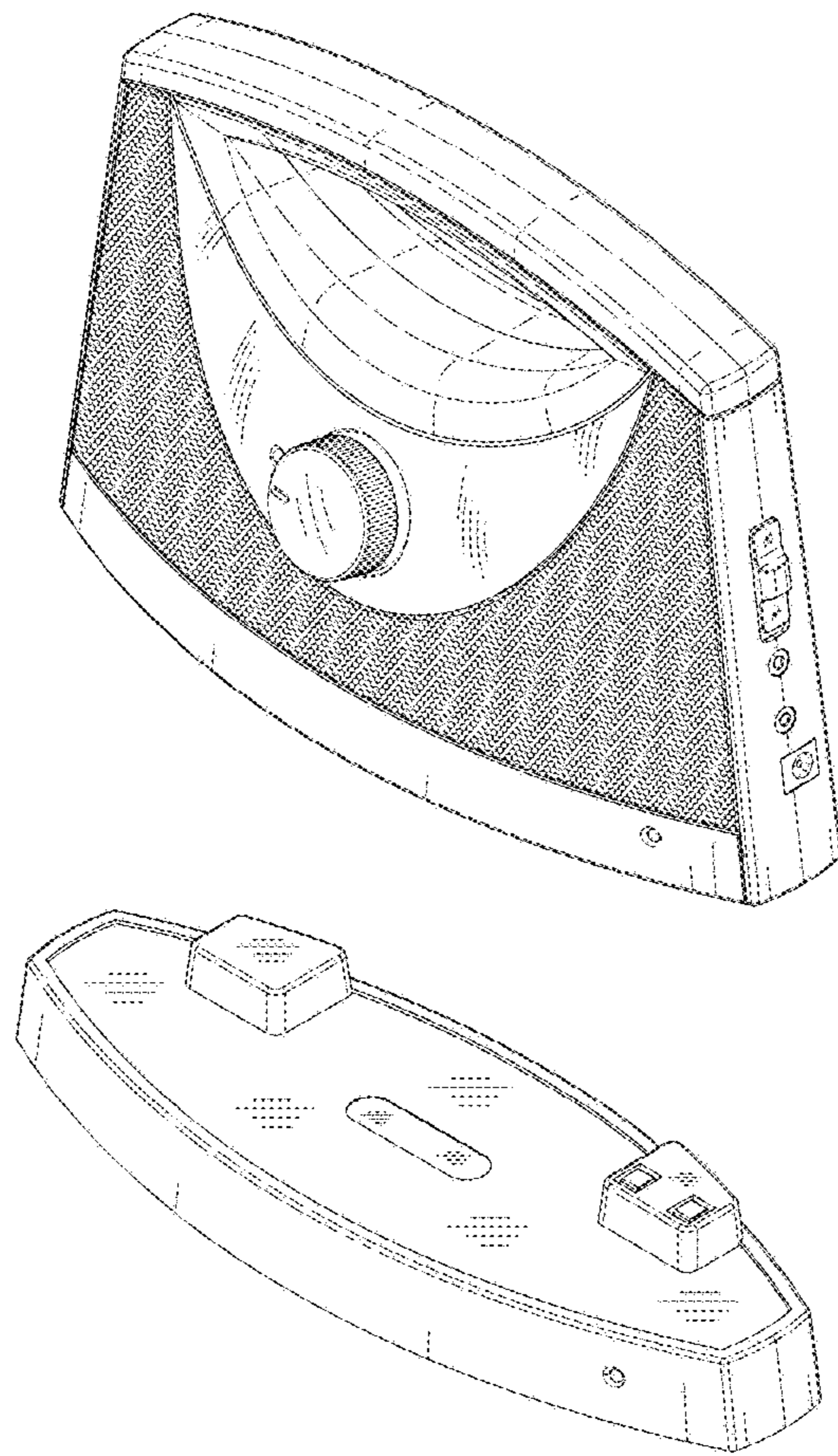


FIG. 8

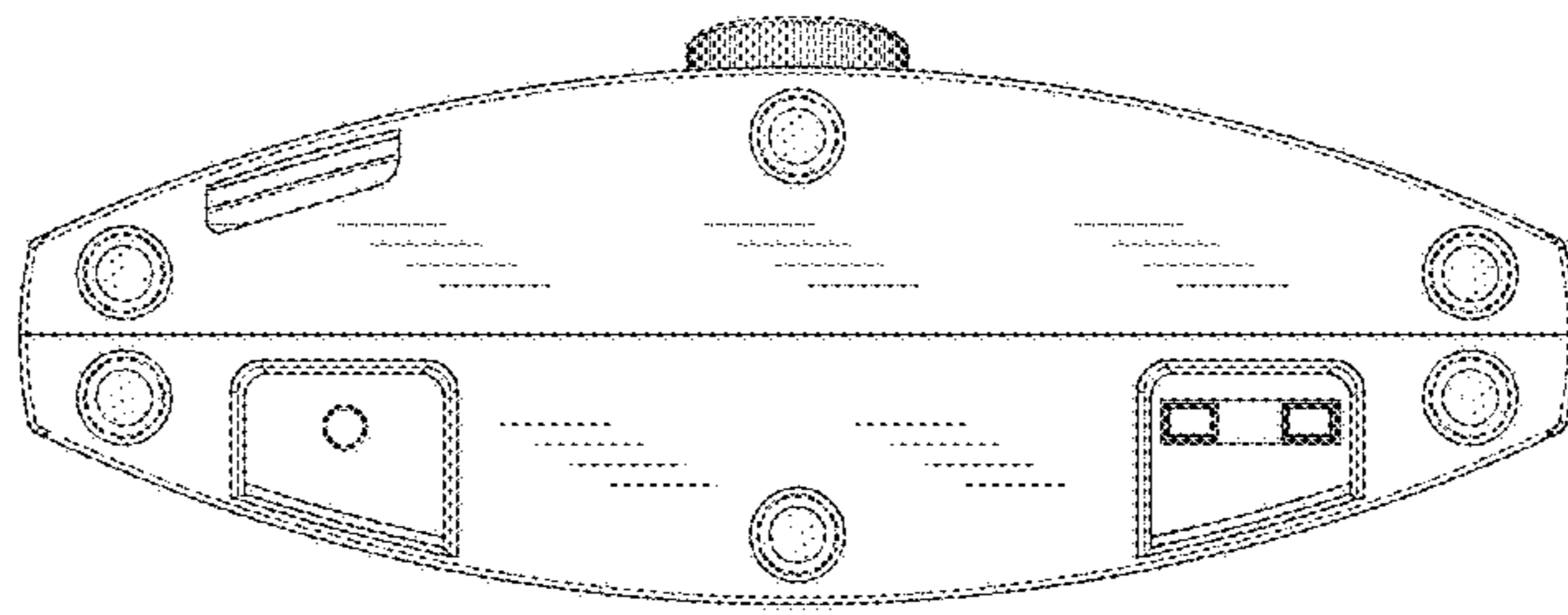


FIG. 9

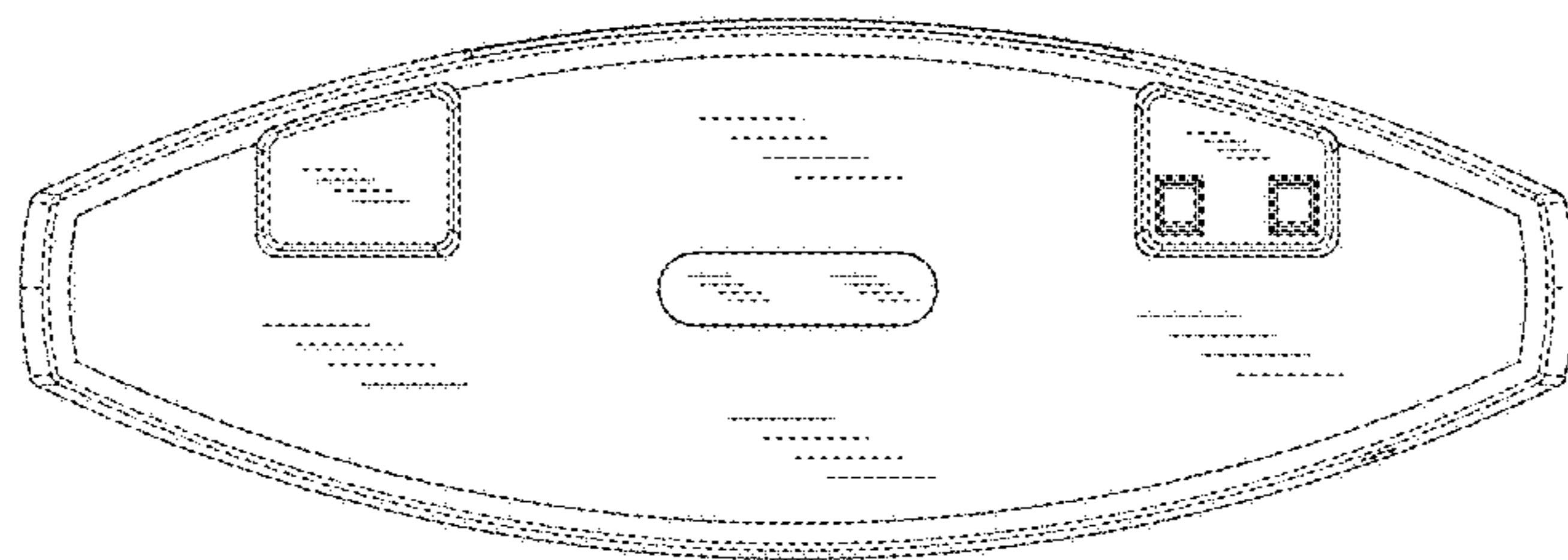


FIG. 10

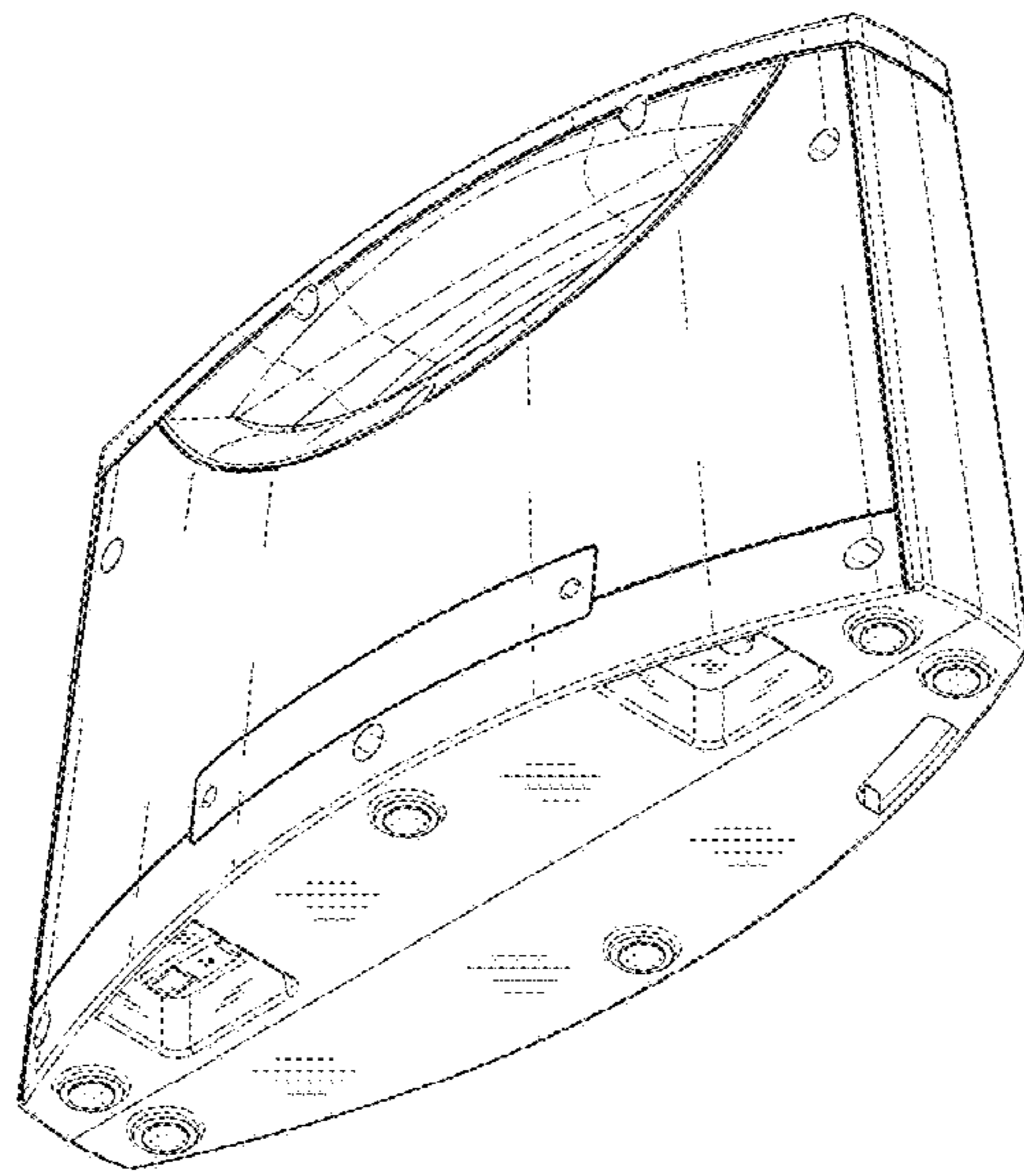


FIG. 11