

US00D842258S

(12) **United States Design Patent**  
**Somers**

(10) **Patent No.:** **US D842,258 S**  
(45) **Date of Patent:** **\*\* Mar. 5, 2019**

(54) **ELECTRICAL CIRCUIT BREAKER CHARGE CAM**

(71) Applicant: **Kevin Somers**, Gwinn, MI (US)

(72) Inventor: **Kevin Somers**, Gwinn, MI (US)

(\*\*) Term: **15 Years**

(21) Appl. No.: **29/559,468**

(22) Filed: **Mar. 29, 2016**

(51) **LOC (11) Cl.** ..... **13-03**

(52) **U.S. Cl.**  
USPC ..... **D13/178**

(58) **Field of Classification Search**

USPC ..... D13/110, 112, 118–123, 133, 154,  
D13/158–161, 173, 178, 184, 199;  
D8/25; D15/5, 148

CPC ..... H01H 3/00; H01H 3/30; H01H 3/3015;  
H01H 5/00; H01H 5/06; H01H 69/01;  
H01H 71/02; H01H 71/10; H01H 43/10;  
H01H 9/00; H01H 9/02; H01H 9/14;  
H01H 9/30; H01H 45/00; H01H 47/00;  
H01H 51/00; H01H 50/02; H01H 51/12;  
H01H 51/28; H01H 51/29; H01H 85/00;  
H01H 85/14; H01H 85/16; H01H 85/20;  
H01H 85/22; B25B 13/00; B25B 13/46;  
B25B 15/04; B25B 17/00; B25B 17/02;  
F16D 41/12; F16D 41/22; F16H 29/00;  
G04B 5/00; H01C 10/14; H10R 43/04;  
H02B 11/13; H01R 13/40

See application file for complete search history.

(56) **References Cited**

**U.S. PATENT DOCUMENTS**

2,702,324 A \* 2/1955 Donaldson ..... H02B 11/133  
200/50.23  
2,943,512 A \* 7/1960 Nicolaus ..... H01H 51/086  
403/245

2,961,068 A \* 11/1960 Yarrick ..... H01H 3/30  
185/40 R  
3,084,238 A \* 4/1963 Baskerville ..... H01H 3/30  
200/400  
3,134,267 A \* 5/1964 Shannon ..... A01C 3/06  
74/142  
3,188,409 A \* 6/1965 Linn ..... H01H 43/101  
200/38 B  
3,289,790 A \* 12/1966 Ivins ..... H01H 3/30  
185/39  
3,382,331 A \* 5/1968 Jencks ..... H01H 71/56  
200/50.02  
3,689,720 A \* 9/1972 Patel ..... H01H 3/3021  
185/40 R  
3,725,615 A \* 4/1973 Boyles ..... G04C 21/20  
200/35 A  
3,729,065 A \* 4/1973 Baskerville ..... H01H 3/30  
185/39  
4,114,132 A \* 9/1978 DeRouen ..... H01C 10/14  
338/174  
4,366,354 A \* 12/1982 Norden ..... H01H 71/529  
200/457

(Continued)

*Primary Examiner* — Angela J Lee

*Assistant Examiner* — Shawn T Gingrich

(74) *Attorney, Agent, or Firm* — Glenn W. Smith

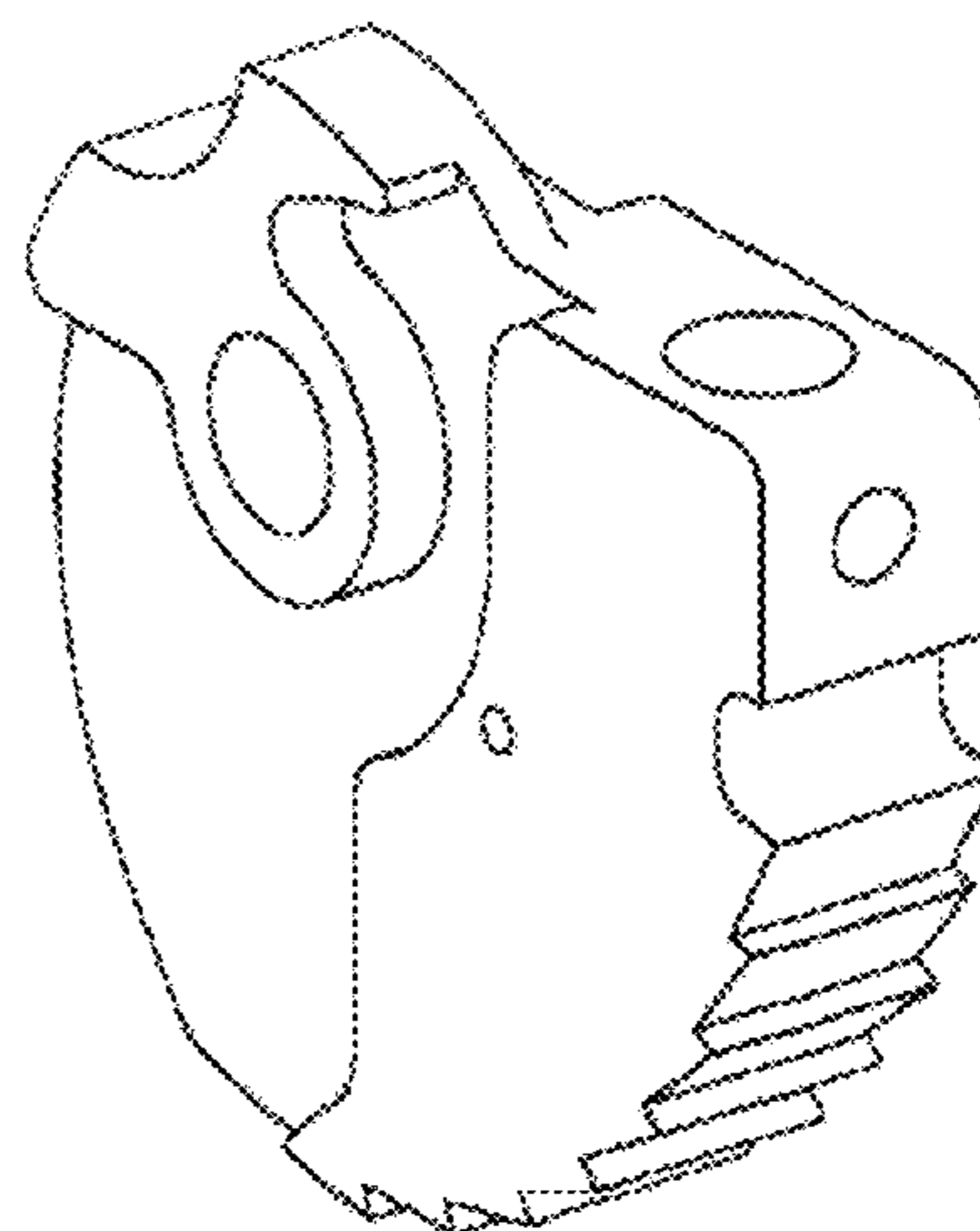
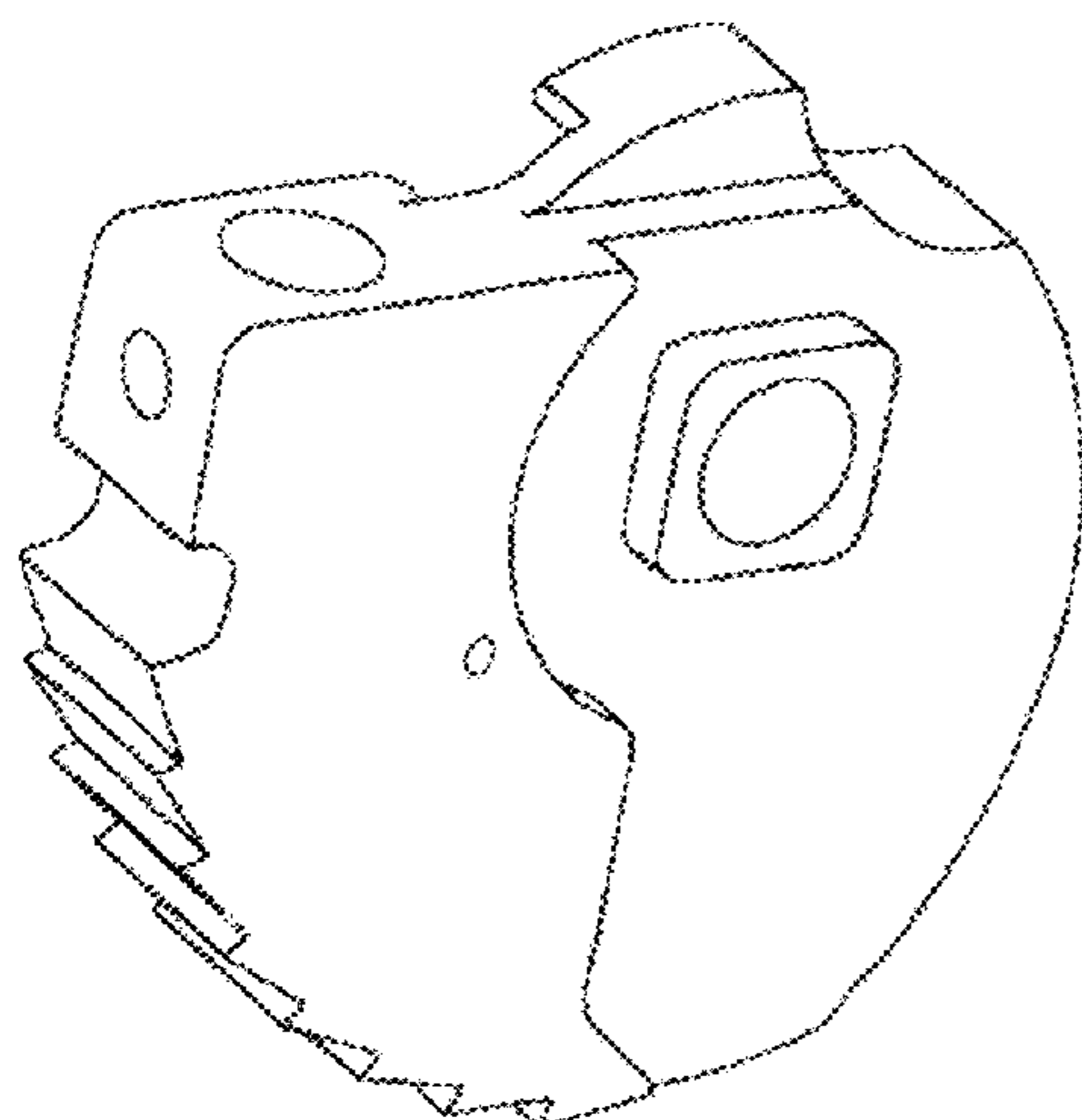
(57) **CLAIM**

The ornamental design for the electrical circuit breaker charge cam, as shown.

**DESCRIPTION**

FIG. 1 is a perspective view of my new design for an electrical circuit breaker charge cam;  
FIG. 2 is a perspective view of my new design for an electrical circuit breaker charge cam;  
FIG. 3 is a front view thereof;  
FIG. 4 is a right-side view thereof;  
FIG. 5 is a left-side view thereof;  
FIG. 6 is a back view thereof; and,  
FIG. 7 is a top view thereof.

**1 Claim, 2 Drawing Sheets**



(56)

**References Cited**

U.S. PATENT DOCUMENTS

4,427,966	A *	1/1984	Gratzinger .....	H01C 10/14 338/162
5,048,366	A *	9/1991	Spanio .....	F16H 53/02 123/90.34
5,280,258	A *	1/1994	Opperthausen .....	H01H 3/3021 200/400
5,651,451	A *	7/1997	Castonguay .....	H01H 3/3021 200/400
5,981,889	A *	11/1999	Niklaus .....	H01H 3/30 200/400
6,144,002	A *	11/2000	Coudert .....	H01H 3/30 200/308
6,979,788	B1 *	12/2005	Barbagelata .....	F16H 59/105 200/61.88
8,816,802	B2 *	8/2014	Freimuth .....	H01H 73/42 335/172
9,318,292	B2 *	4/2016	Cazals .....	H01H 71/04
9,373,457	B2 *	6/2016	Roelandt .....	H01H 3/3015
2010/0163380	A1 *	7/2010	Yang .....	H01H 3/3026 200/33 B
2014/0373671	A1 *	12/2014	Spitsberg .....	F16H 25/08 74/568 R
2015/0075321	A1 *	3/2015	Weiss .....	B62M 25/04 74/575

\* cited by examiner

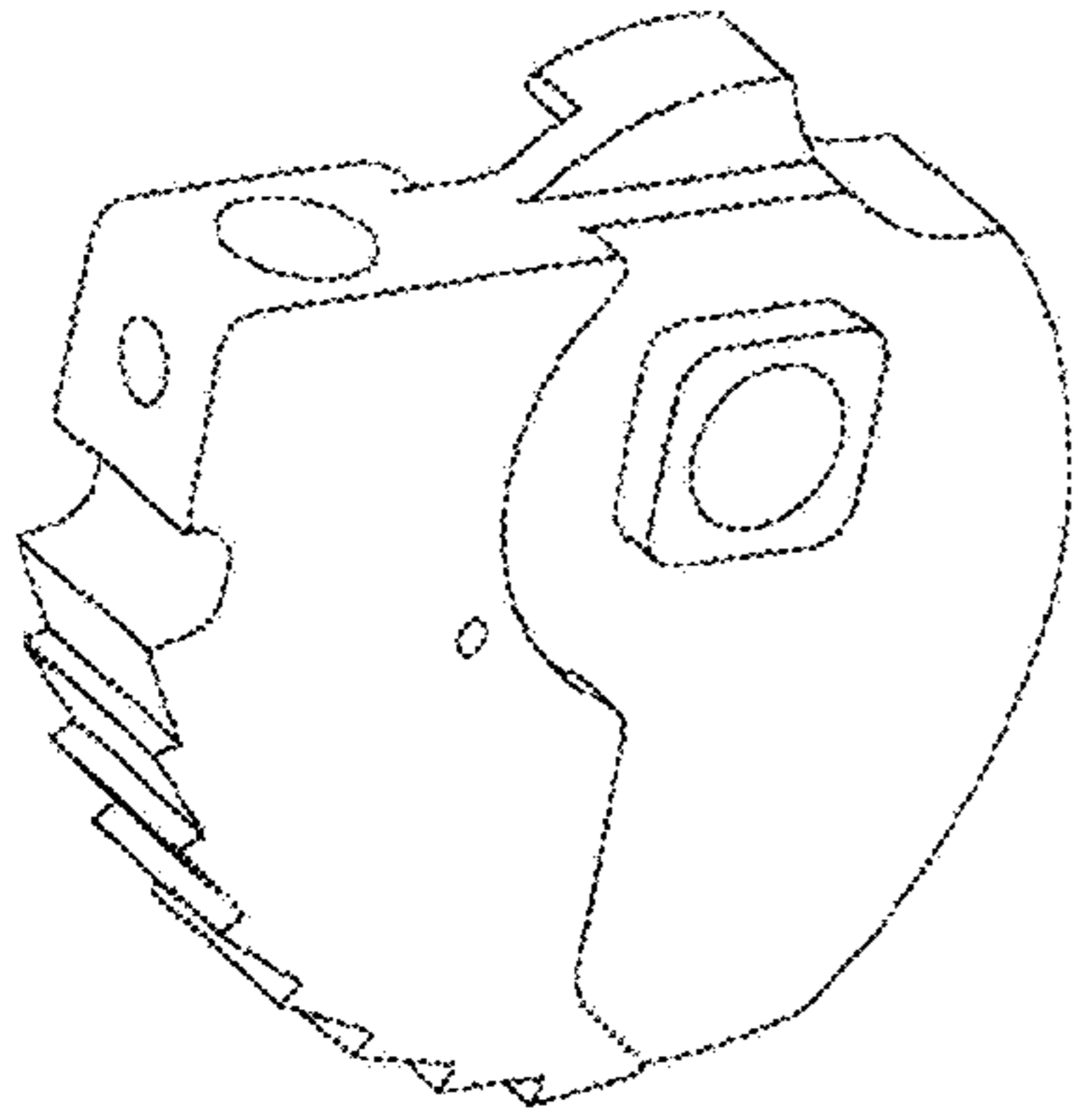


Fig. 1

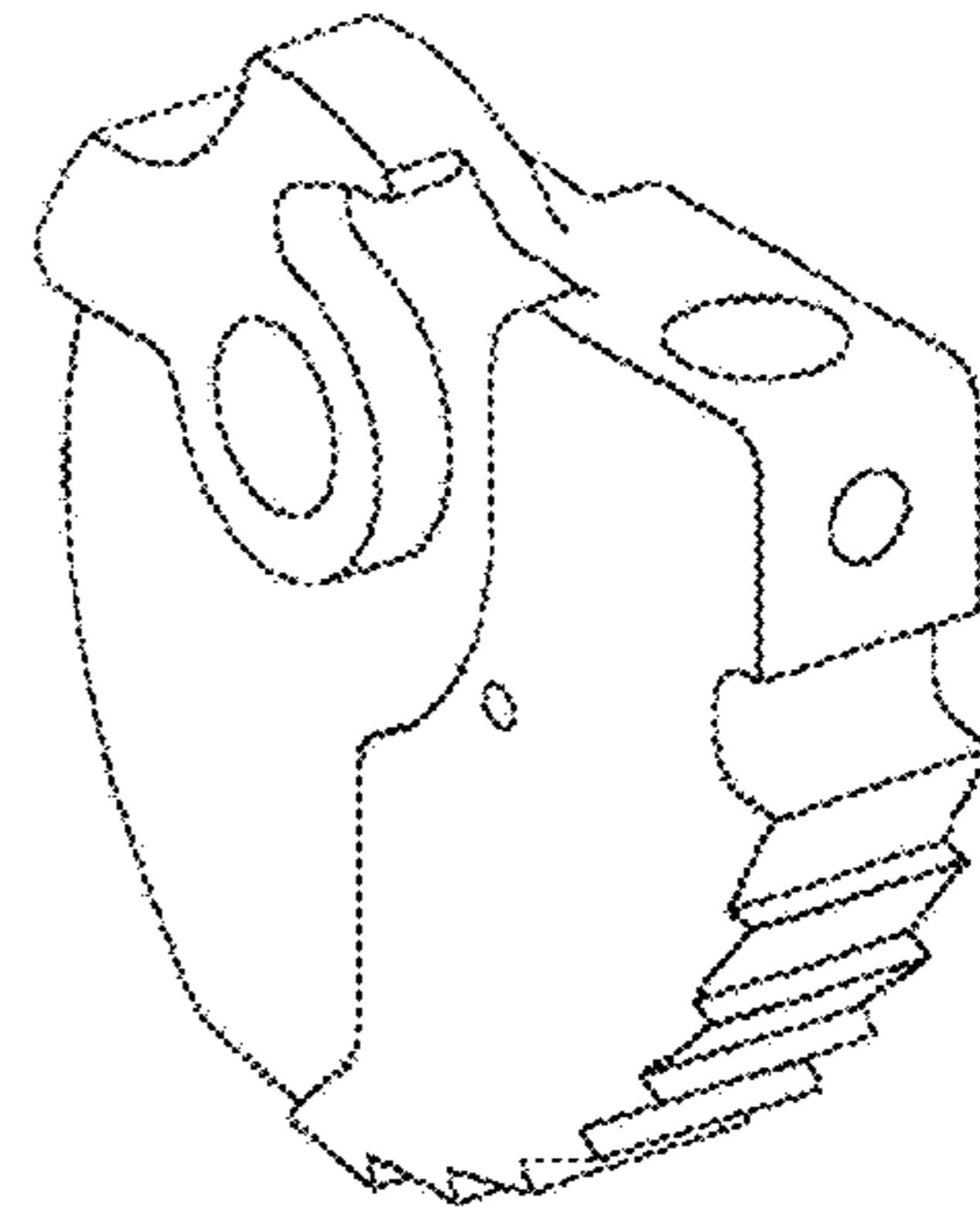


Fig. 2

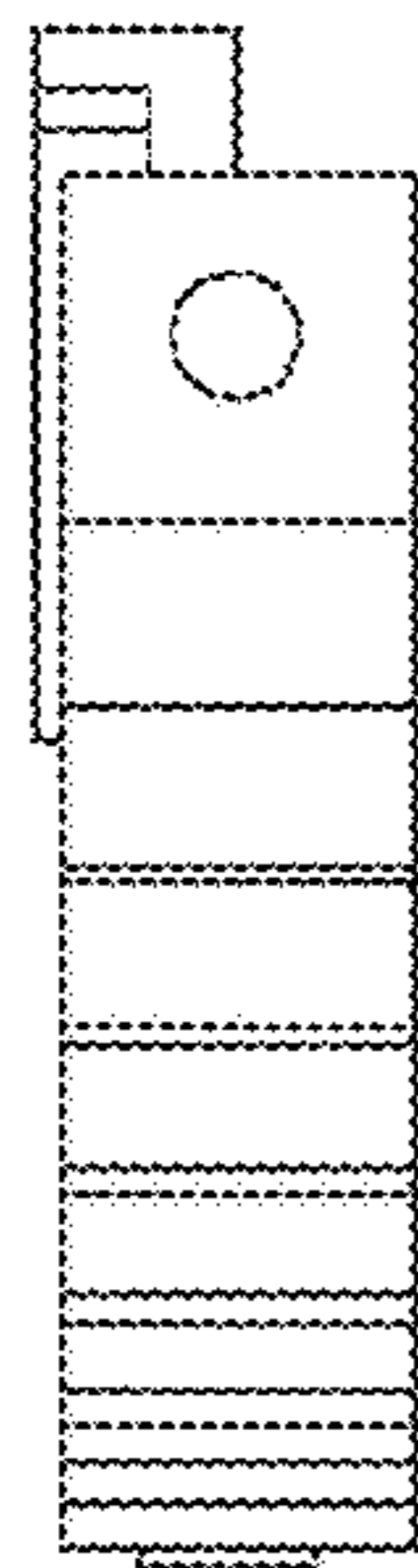


Fig. 3

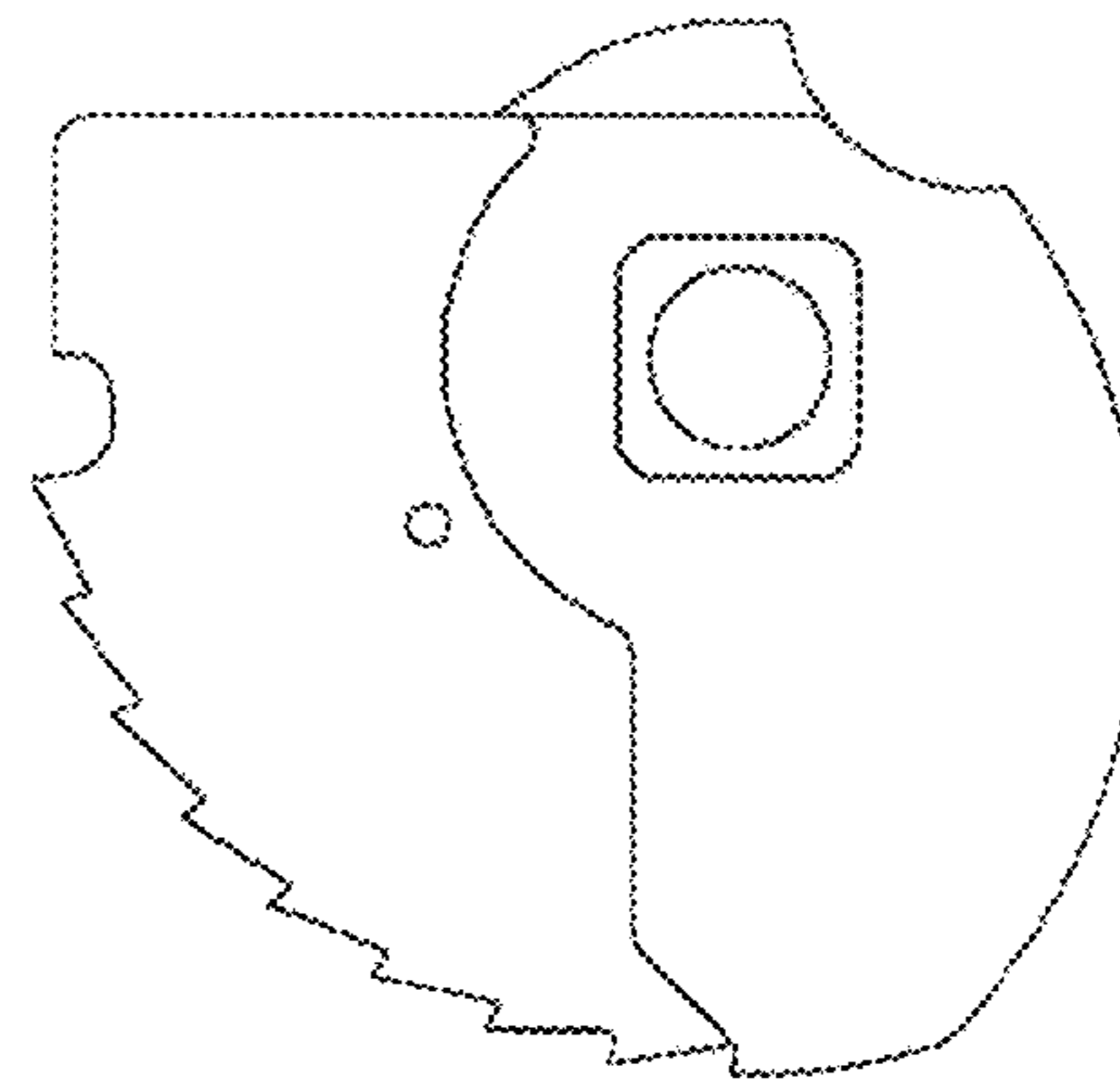


Fig. 4

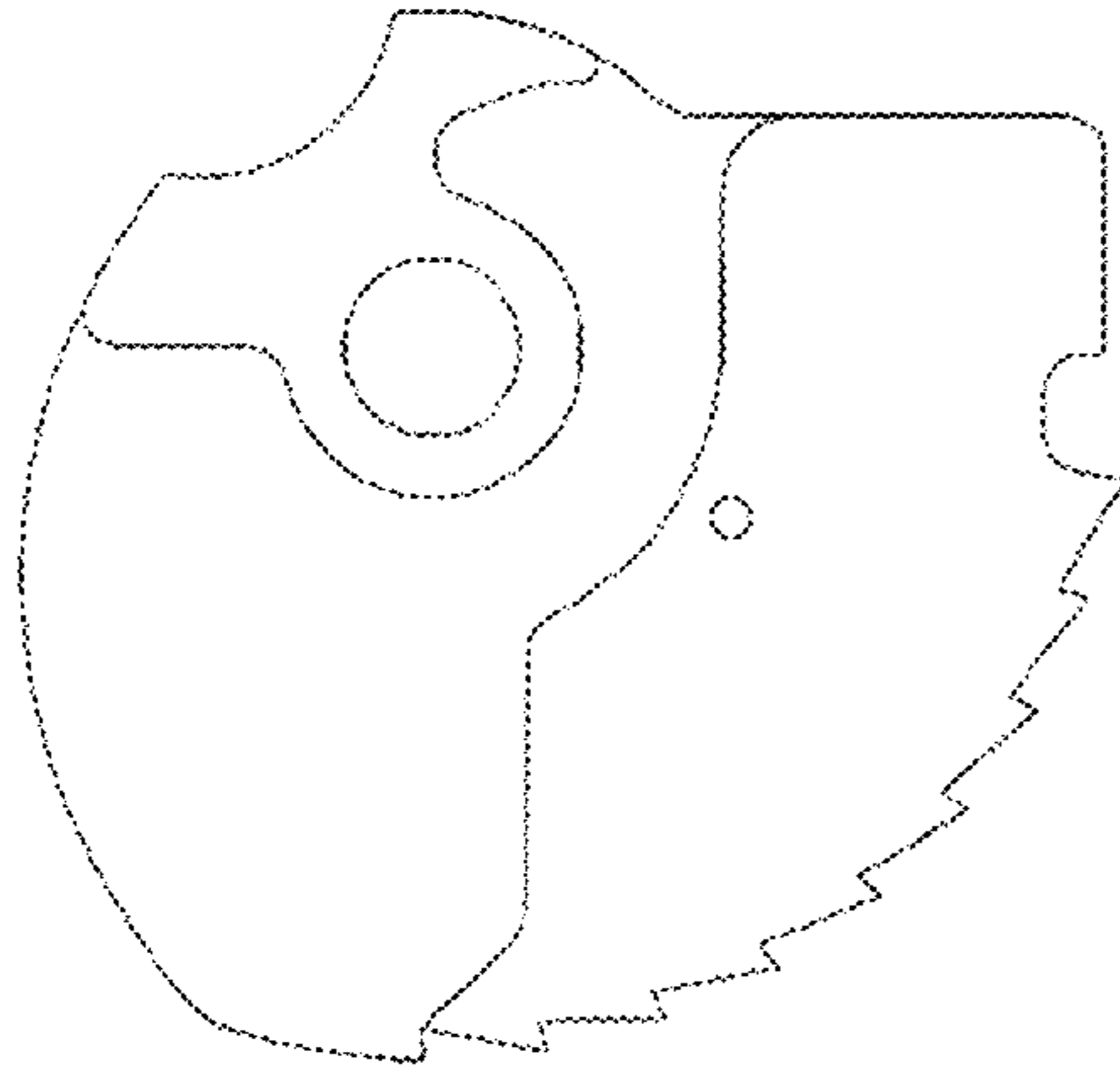


Fig. 5

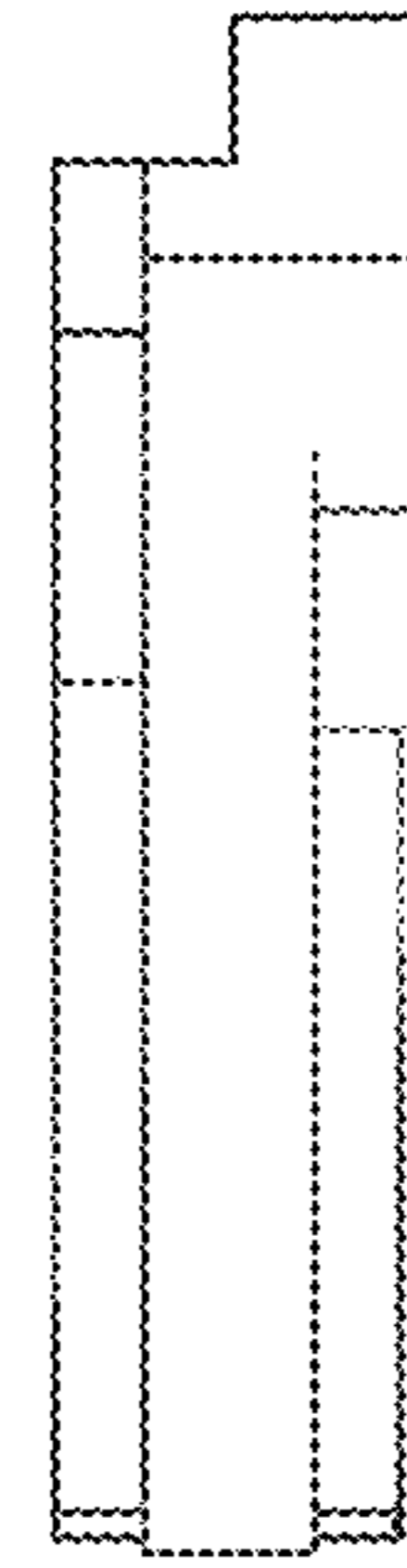


Fig. 6

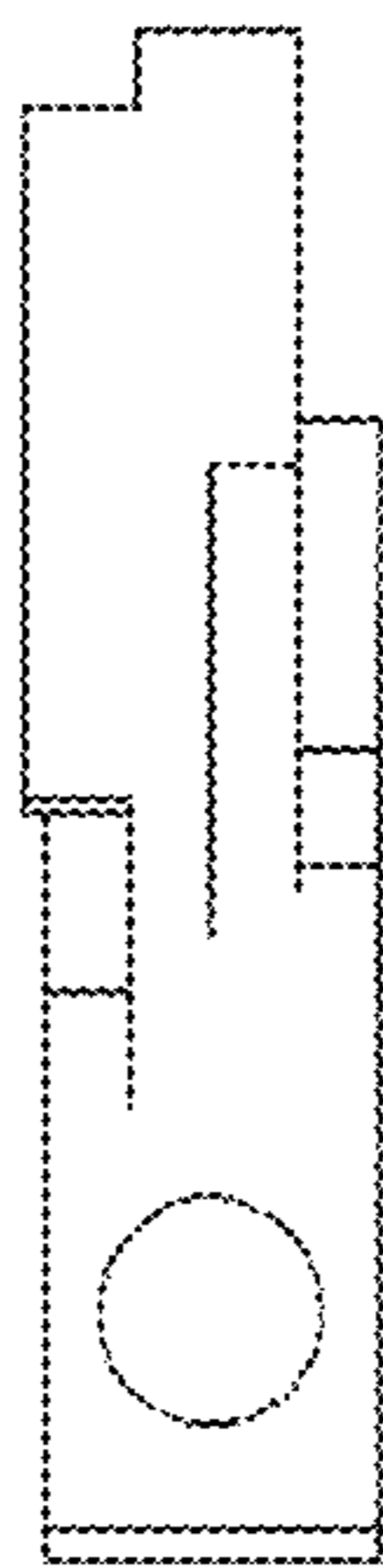


Fig. 7