



US00D842256S

(12) **United States Design Patent** (10) **Patent No.:** **US D842,256 S**
Tanaka et al. (45) **Date of Patent:** **** Mar. 5, 2019**

(54) **ELECTROMAGNETIC RELAY**

(71) Applicant: **EM Devices Corporation**, Shiroishi-shi (JP)

(72) Inventors: **Yoshiki Tanaka**, Shiroishi (JP); **Tsutomu Ono**, Shiroishi (JP); **Jun Konda**, Shiroishi (JP); **Kenichi Herai**, Shiroishi (JP); **Yuta Suzuki**, Shiroishi (JP)

(73) Assignee: **EM Devices Corporation**, Shiroishi-shi (JP)

(**) Term: **15 Years**

(21) Appl. No.: **29/615,313**

(22) Filed: **Aug. 28, 2017**

(30) **Foreign Application Priority Data**

May 16, 2017 (JP) 2017-010389

(51) **LOC (11) Cl.** **13-03**

(52) **U.S. Cl.**

USPC **D13/159**

(58) **Field of Classification Search**

USPC D13/103, 107, 110, 112, 118–123, 154, D13/156, 158–161, 173, 177, 178, 182, D13/184, 199

CPC H01H 9/02; H01H 9/30; H01H 45/00; H01H 45/08; H01H 50/08; H01H 50/64; H01H 50/56; H01H 51/22; H01H 1/06; H01H 1/20; H01H 3/32; H01H 9/28; H01H 21/04; H01H 21/22; H01H 33/02; H01H 33/08; H01H 33/10; H01H 33/18; H01H 36/00; H01H 47/00; H01H 50/14; H01H 50/16; H02J 7/00; H01R 4/26; H01R 4/48; H01R 25/00

See application file for complete search history.

(56) **References Cited**

U.S. PATENT DOCUMENTS

D400,496 S * 11/1998 Barber D13/103
D515,499 S * 2/2006 Matsuda D13/103
D516,018 S * 2/2006 Ohsako D13/103
D768,115 S * 10/2016 Kazanchian D13/182

(Continued)

Primary Examiner — Angela J Lee
Assistant Examiner — Shawn T Gingrich
(74) *Attorney, Agent, or Firm* — McCoy Russell LLP

(57) **CLAIM**

The ornamental design for an electromagnetic relay, as shown and described.

DESCRIPTION

FIG. 1 is a front view of a design for an electromagnetic relay according to the present disclosure.

FIG. 2 is a rear view of the electromagnetic relay of FIG. 1.

FIG. 3 is a left side view of the electromagnetic relay of FIG. 1.

FIG. 4 is a right side view of the electromagnetic relay of FIG. 1.

FIG. 5 is a plane view of the electromagnetic relay of FIG. 1.

FIG. 6 is an enlarged view of the electromagnetic relay of FIG. 1 at the intersection of 6-6 in FIG. 5.

FIG. 7 is a bottom view of the electromagnetic relay of FIG. 1.

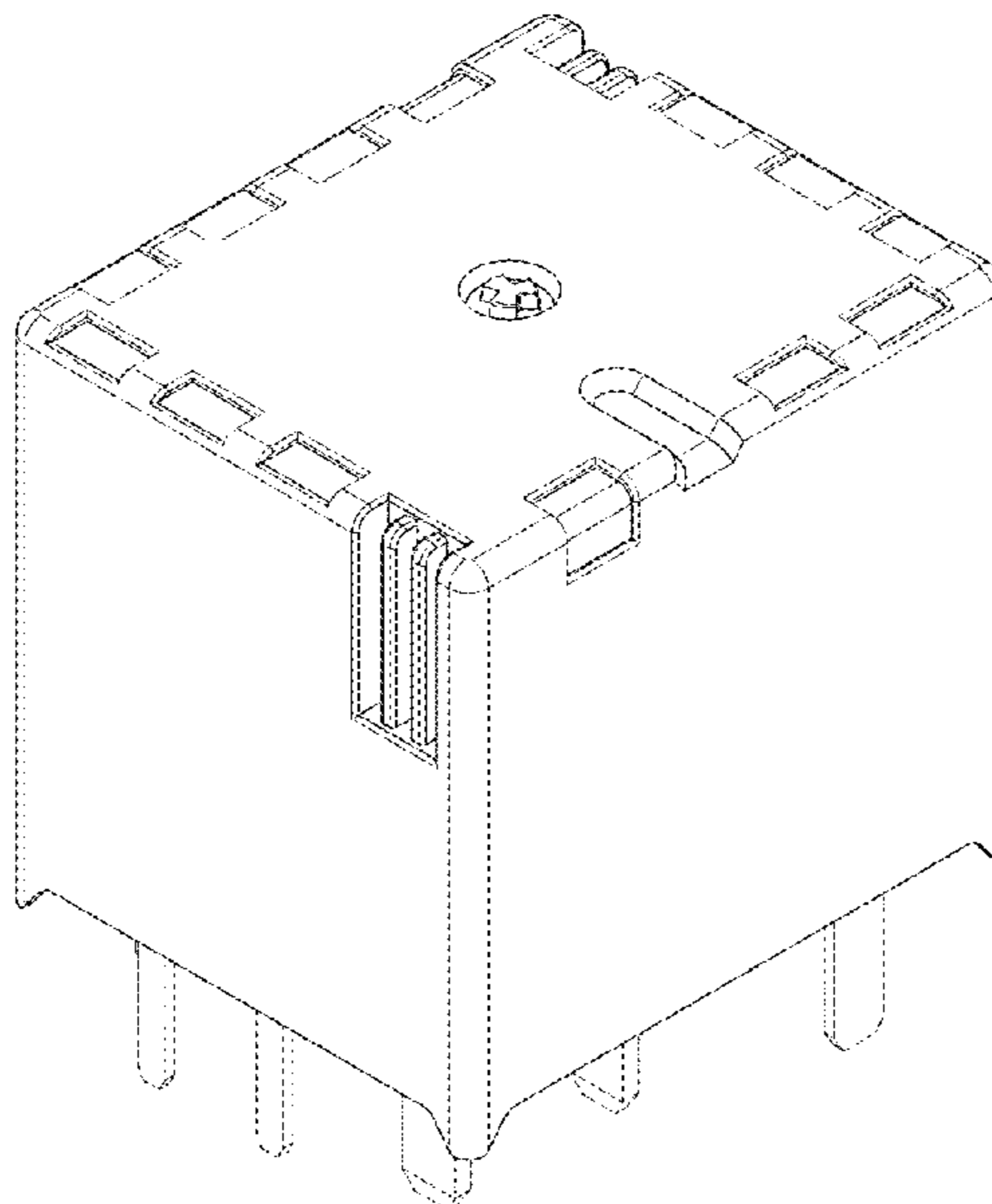
FIG. 8 is a reference perspective view of the electromagnetic relay of FIG. 1.

FIG. 9 is a reference perspective view of the electromagnetic relay of FIG. 1; and

FIG. 10 is an enlarged view of the electromagnetic relay of FIG. 1 at the intersection of 10-10 in FIG. 8.

The broken line portion of the figure drawings is included to show portions of the electromagnetic relay that form no part of the claimed design.

1 Claim, 5 Drawing Sheets



(56)

References Cited

U.S. PATENT DOCUMENTS

2005/0046527 A1* 3/2005 Chida H01H 50/002
335/78
2011/0109410 A1* 5/2011 Chida H01H 50/043
335/119
2011/0121926 A1* 5/2011 Kojima H01H 50/043
335/106
2013/0069744 A1* 3/2013 Shinkai H01H 11/00
335/2
2014/0062626 A1* 3/2014 Saito H01H 51/04
335/185
2014/0225689 A1* 8/2014 Masui H01H 50/642
335/194
2015/0280379 A1* 10/2015 Yan H05K 7/1457
439/224
2016/0027602 A1* 1/2016 Hasegawa H01H 50/58
335/189
2017/0345597 A1* 11/2017 Sasaki H01H 50/64

* cited by examiner

Fig. 1

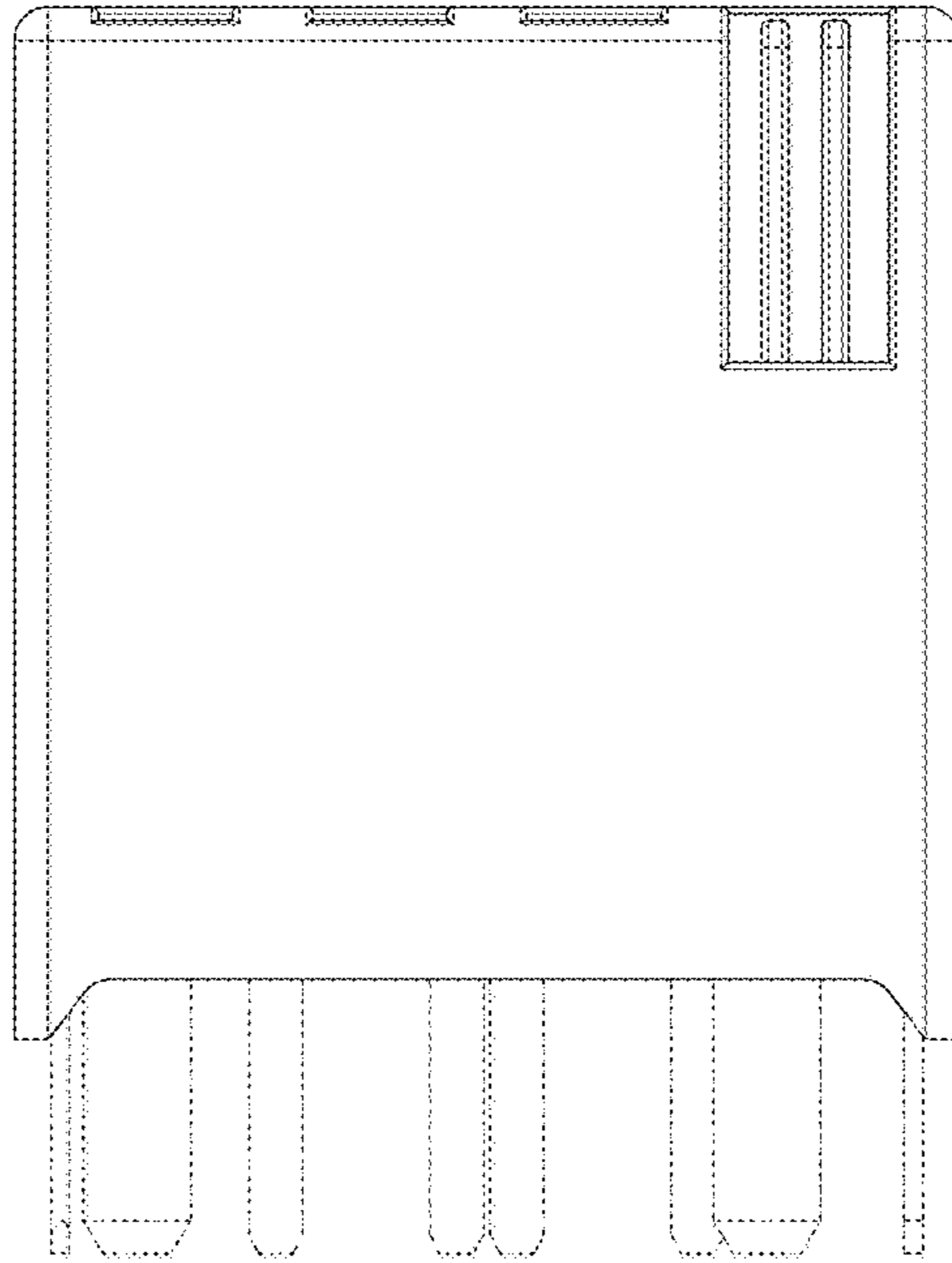


Fig. 2

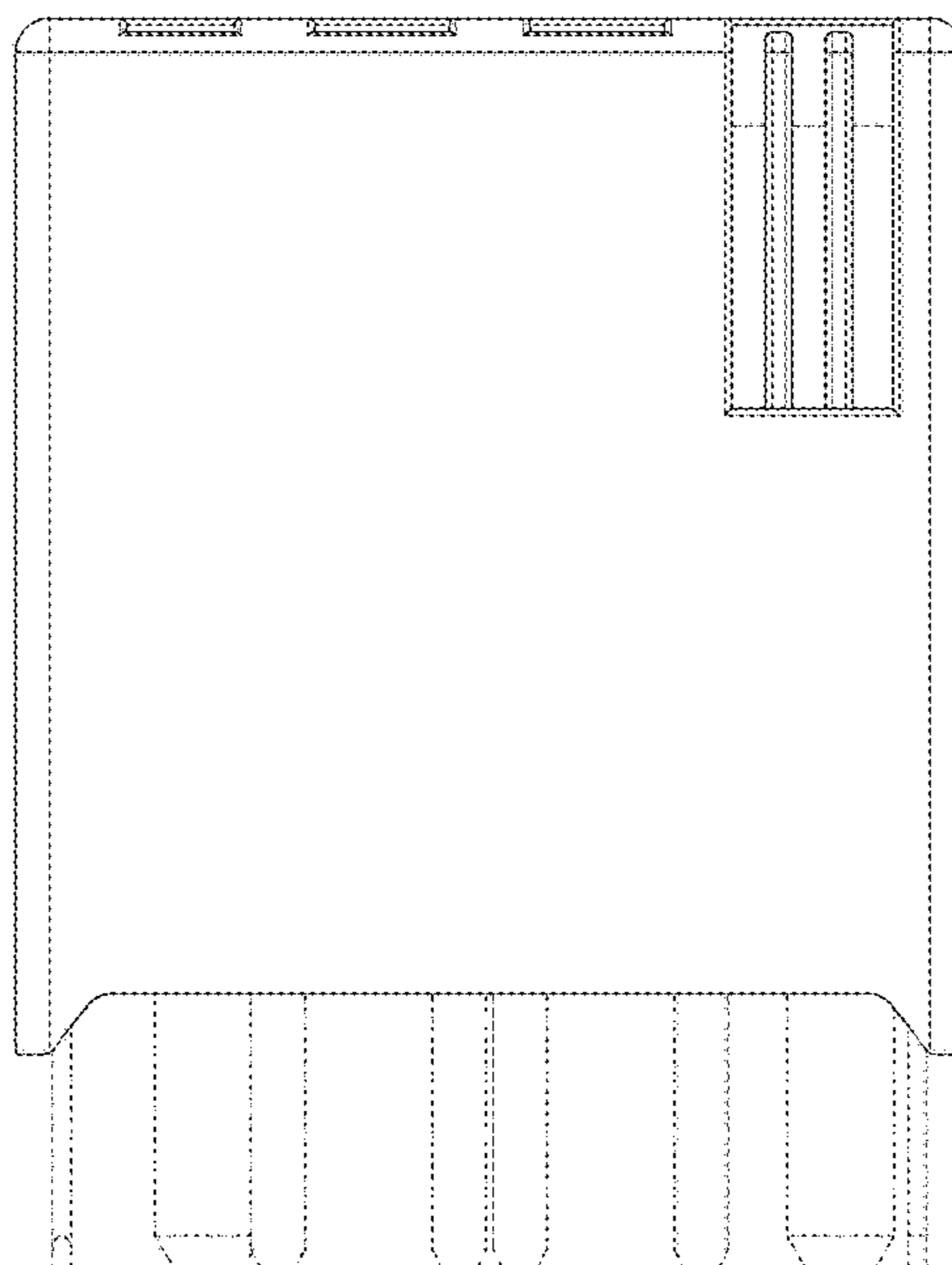


Fig. 3

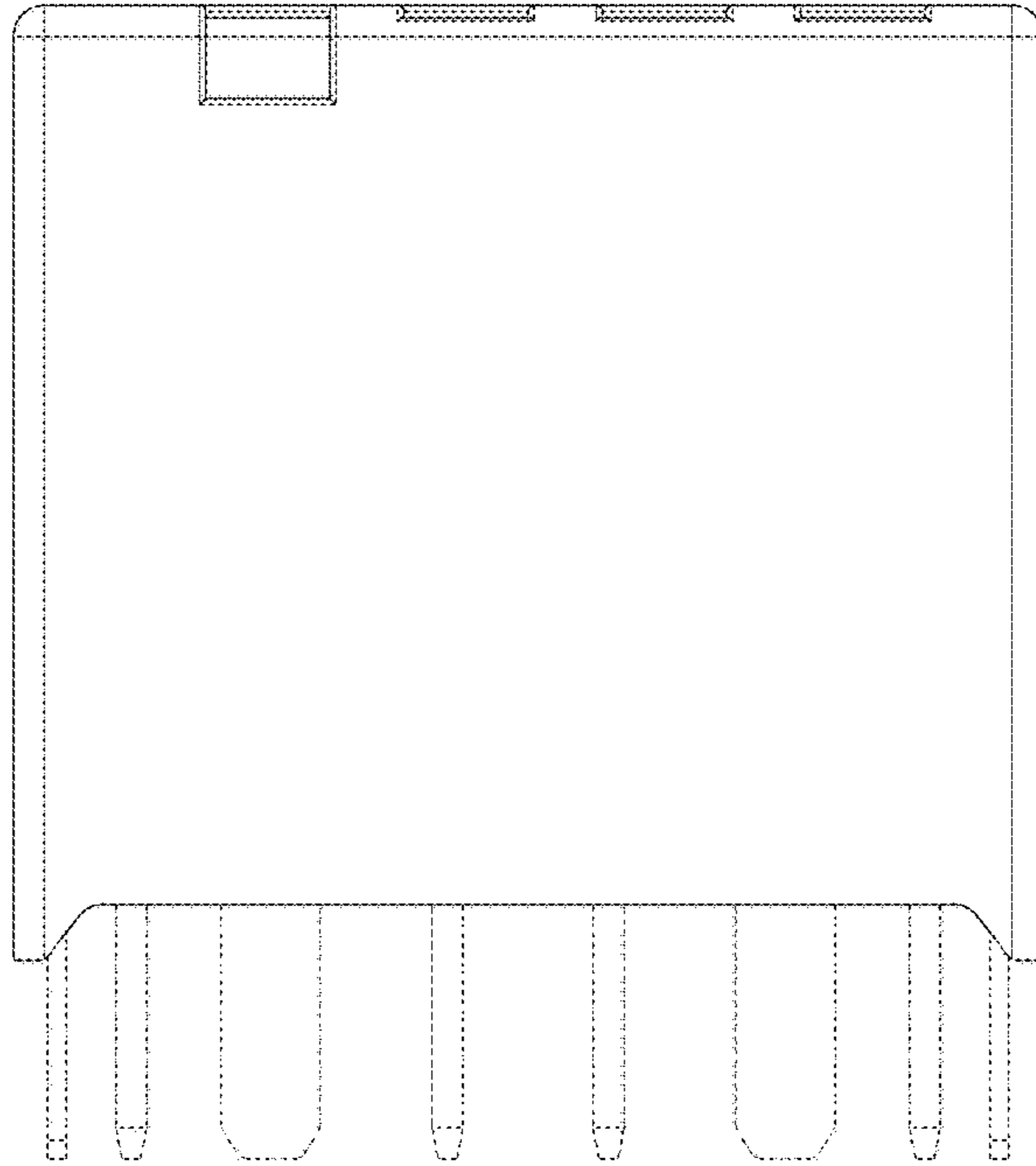


Fig. 4

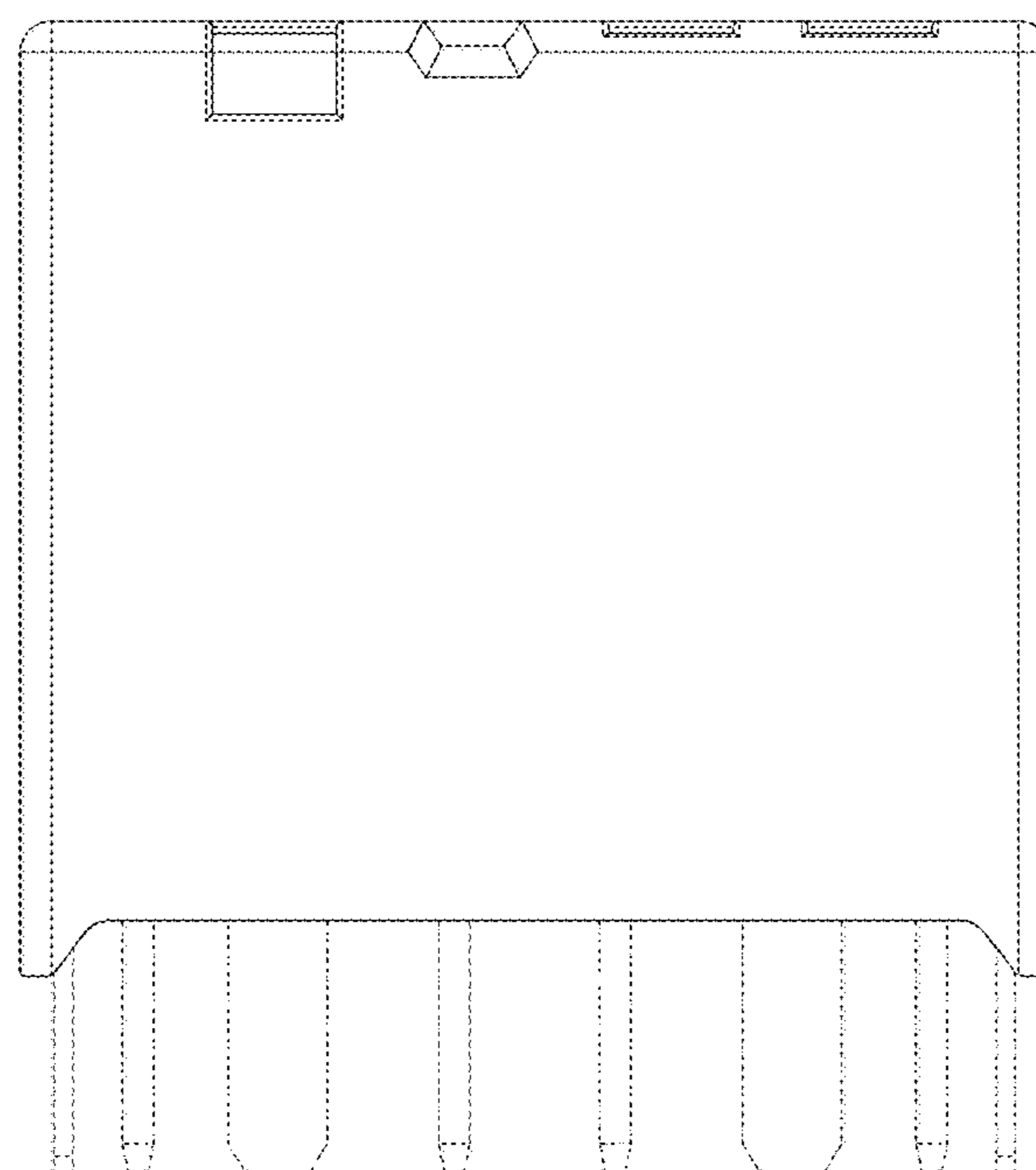


Fig. 5

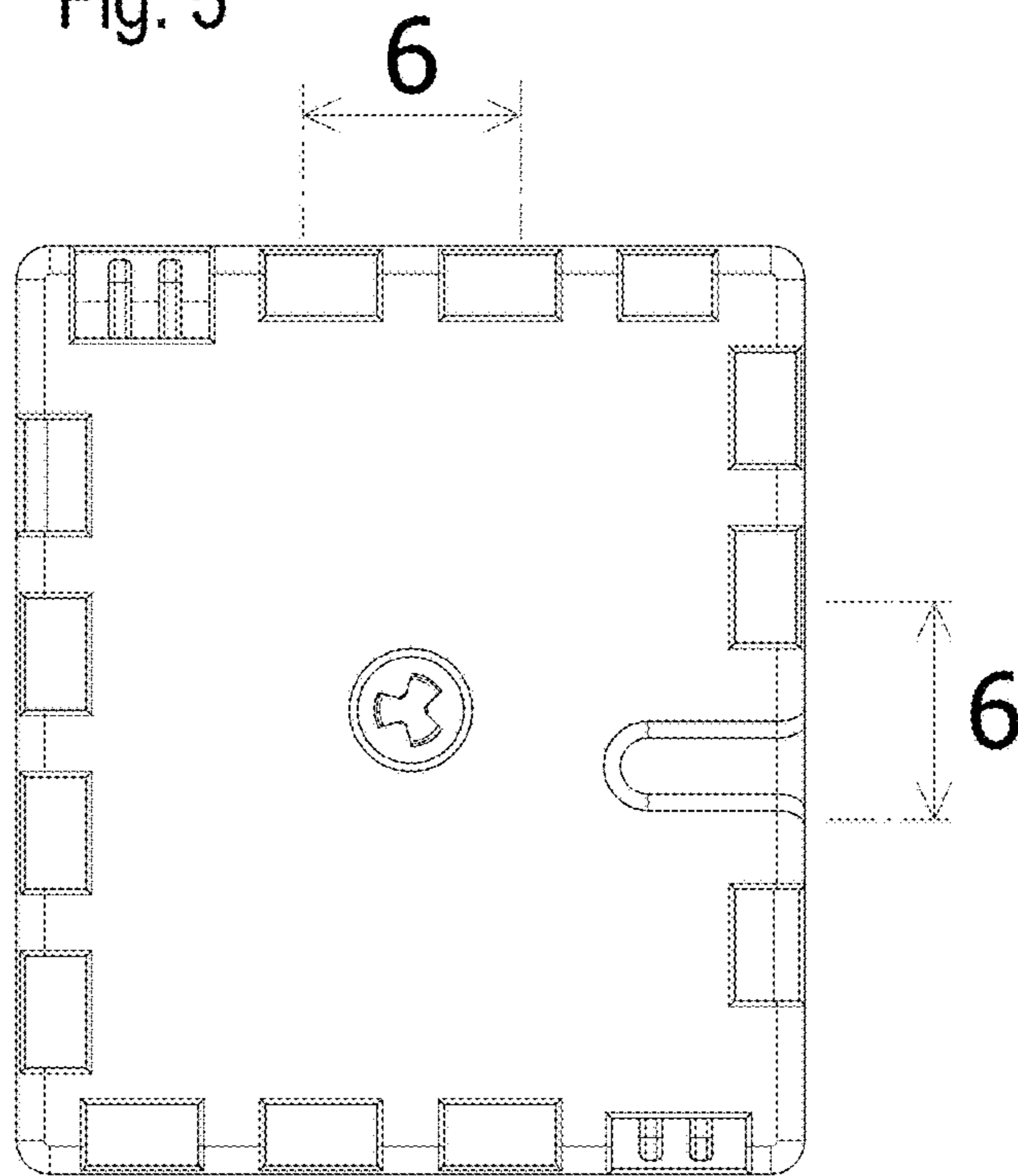


Fig. 6

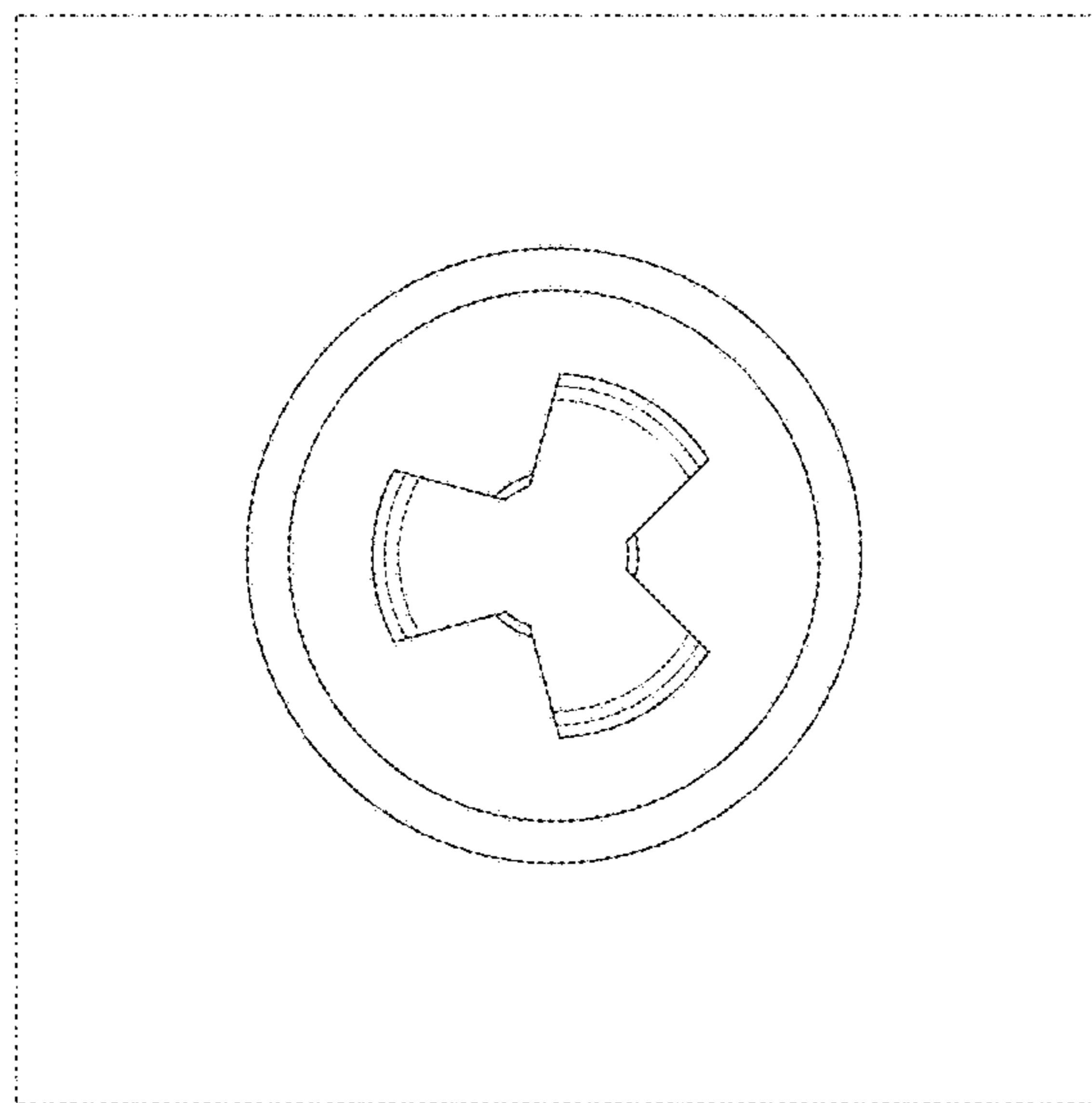


Fig. 7

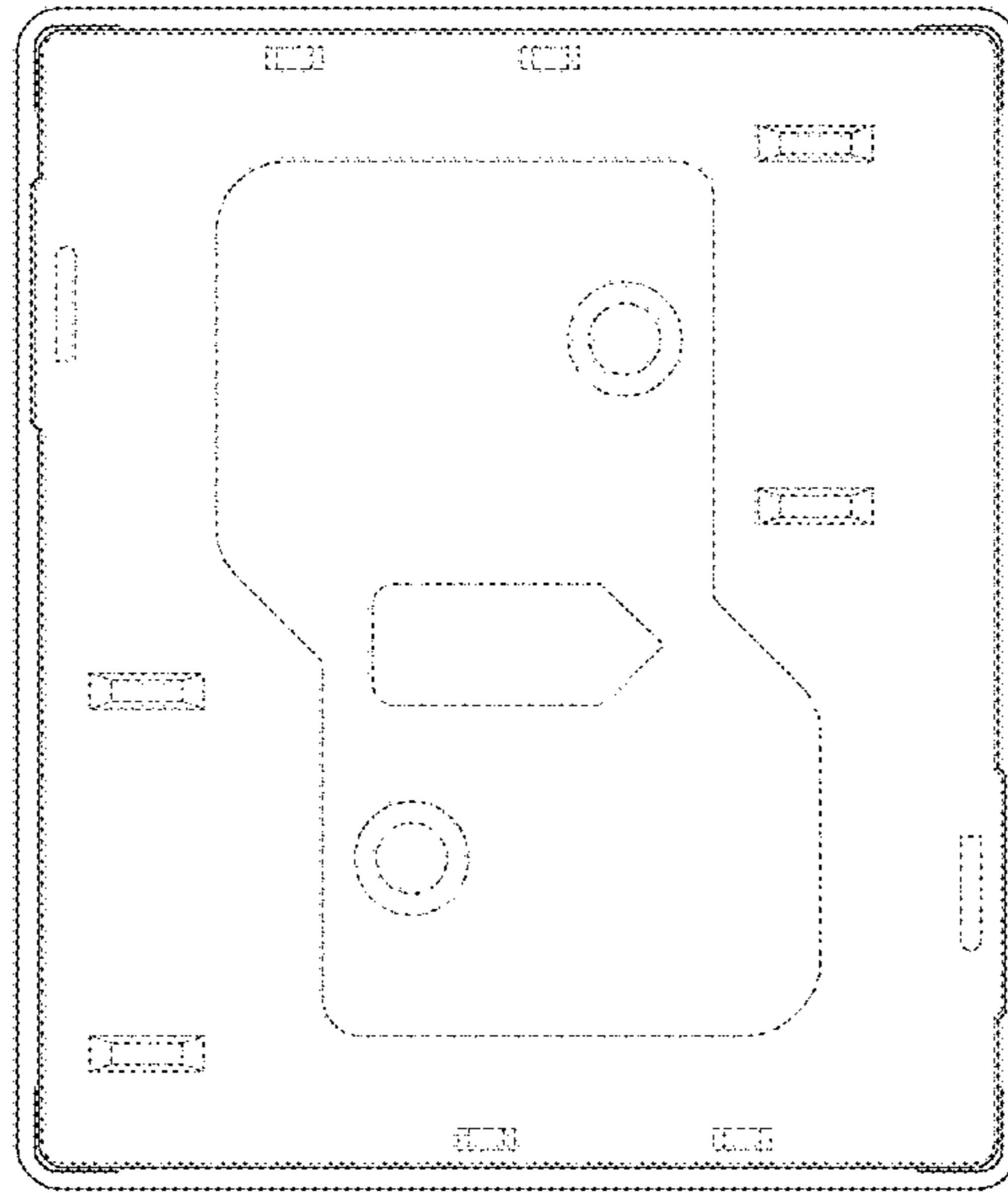


Fig. 8

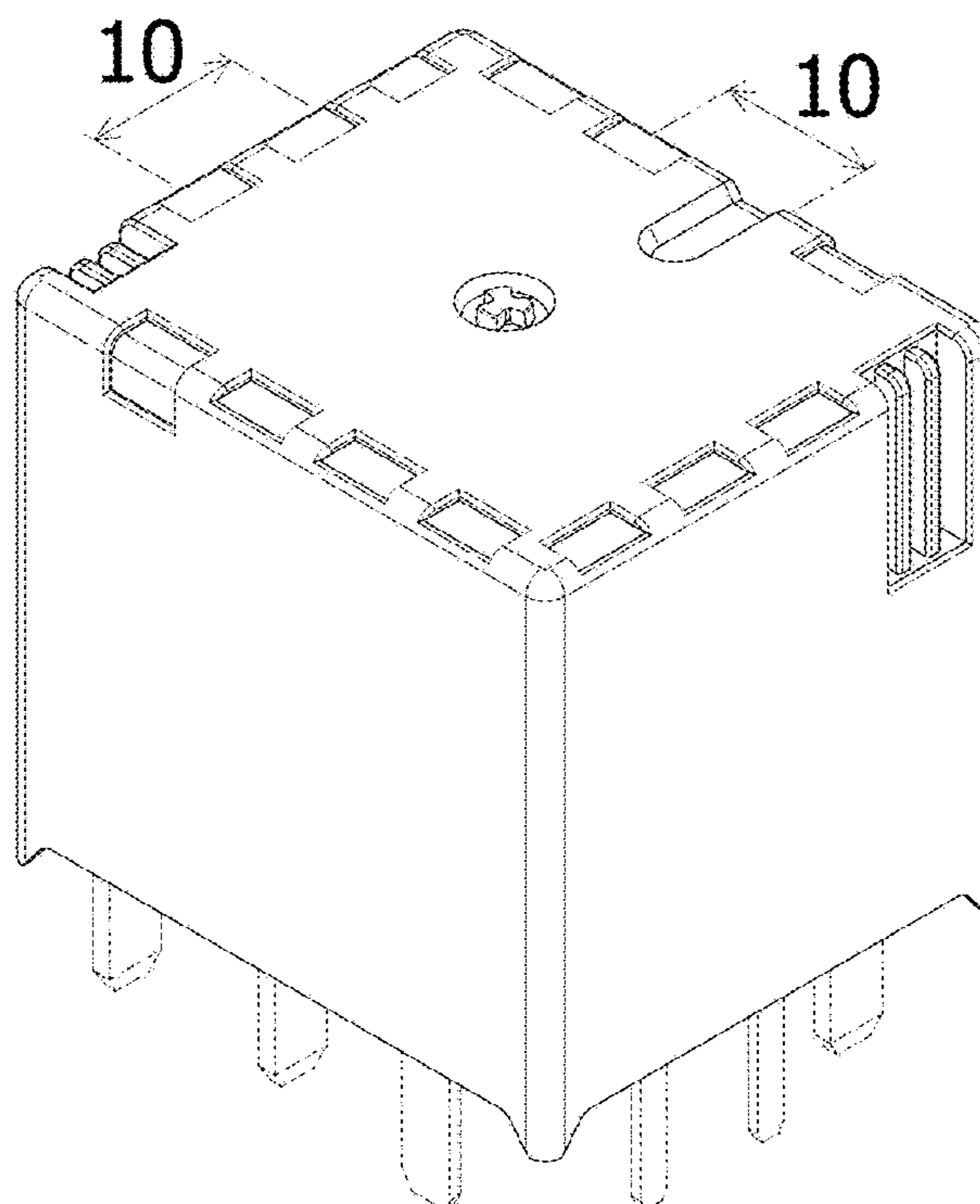


Fig. 9

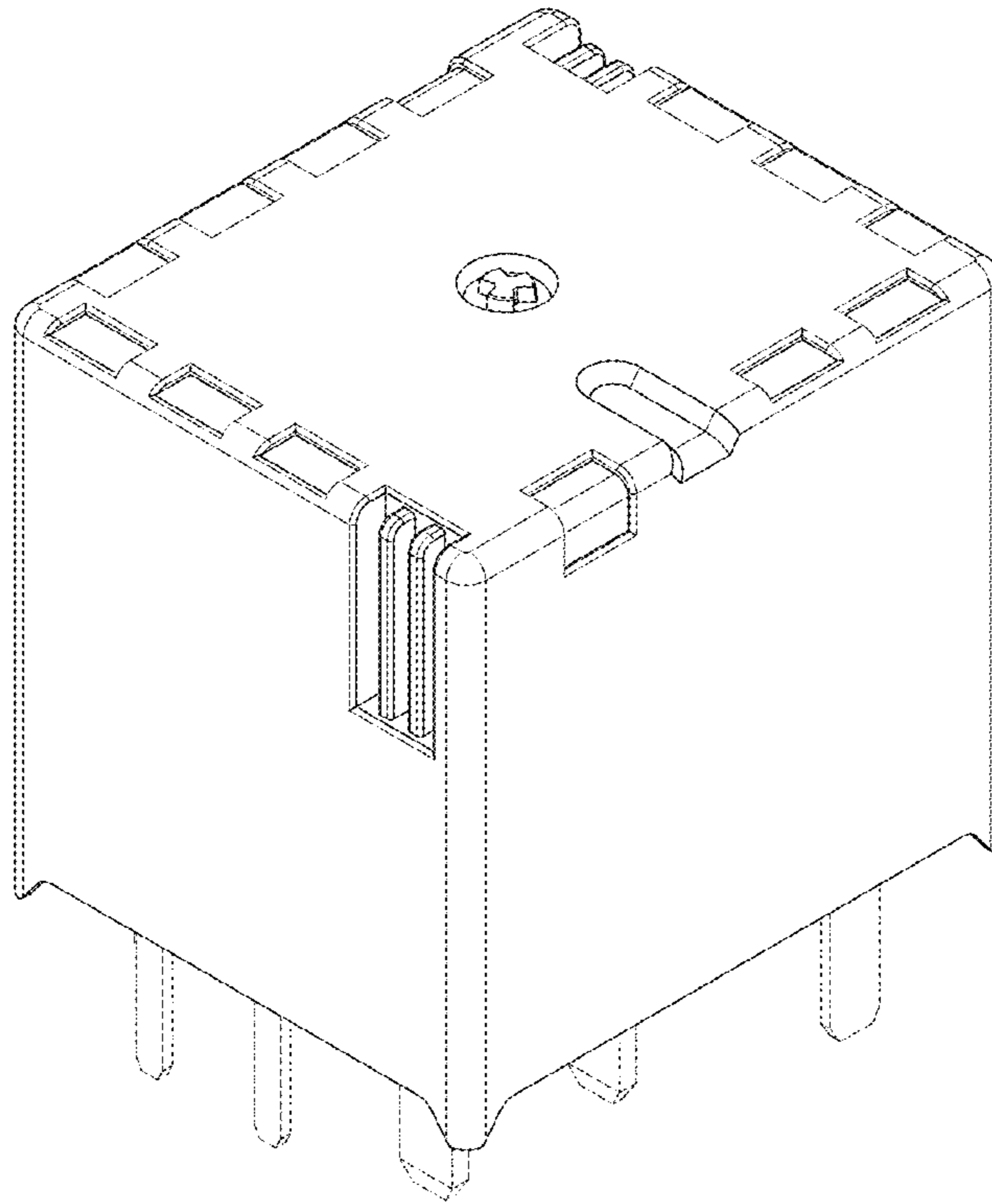


Fig. 10

