



US00D842255S

(12) **United States Design Patent** (10) **Patent No.:** **US D842,255 S**
Marrapode et al. (45) **Date of Patent:** **** Mar. 5, 2019**

(54) **ILLUMINATED FIBER HOUSING ASSEMBLY**

(71) Applicant: **Molex, LLC**, Lisle, IL (US)

(72) Inventors: **Thomas R. Marrapode**, Chicago, IL (US); **Chris Scherer**, Dripping Springs, TX (US); **Jon K. Sholtis**, Buda, TX (US)

(**) Term: **15 Years**

(21) Appl. No.: **29/613,526**

(22) Filed: **Aug. 10, 2017**

Related U.S. Application Data

(63) Continuation-in-part of application No. 29/605,557, filed on May 26, 2017.

(51) **LOC (11) Cl.** **13-03**

(52) **U.S. Cl.**
USPC **D13/153**

(58) **Field of Classification Search**
USPC D13/101, 103, 110, 112, 117, 118, 120, D13/123, 129-133, 145-147, 149, 151, D13/153-155, 173, 178, 183, 199; D26/27, 37, 40-43

CPC F21L 4/00; F21L 4/02; G02B 6/38; G02B 27/20; G02B 6/36; G02B 6/44; H05B 37/00; H05B 37/02; H01R 9/00; H01R 9/05; H01R 9/24; H01R 13/00; H01R 13/44; H01R 13/62; H01R 33/00; H01H 9/00

See application file for complete search history.

(56) **References Cited**

U.S. PATENT DOCUMENTS

D220,063 S * 3/1971 Haack D17/99
D233,908 S * 12/1974 Brindley D26/37
D403,453 S * 12/1998 Shiau D26/43
6,070,987 A * 6/2000 Jarvik G02B 27/20
362/102

D429,830 S * 8/2000 Ting D26/37
D432,500 S 10/2000 Nishio et al.
D436,924 S 1/2001 Lee
D450,041 S 11/2001 Nakashima et al.
D456,010 S 4/2002 Goto
D457,669 S * 5/2002 Piepgras D26/37
D521,931 S * 5/2006 Tufano, Jr. D13/133
7,556,524 B2 7/2009 Kuo et al.
D597,947 S 8/2009 Ono
D612,968 S * 3/2010 Ma D26/49
D617,796 S * 6/2010 Ando D14/411
D622,438 S * 8/2010 Sasada D26/113

(Continued)

OTHER PUBLICATIONS

LED Safety Wand, dated Jul. 9, 2015, [online], [site visited Jun. 21, 2018]. Available from Internet, <URL: <https://www.youtube.com/watch?v=Nkv-vArF58o>> (Year: 2015).*

Primary Examiner — Angela J Lee
Assistant Examiner — Shawn T Gingrich
(74) *Attorney, Agent, or Firm* — Banner & Witcoff, Ltd.

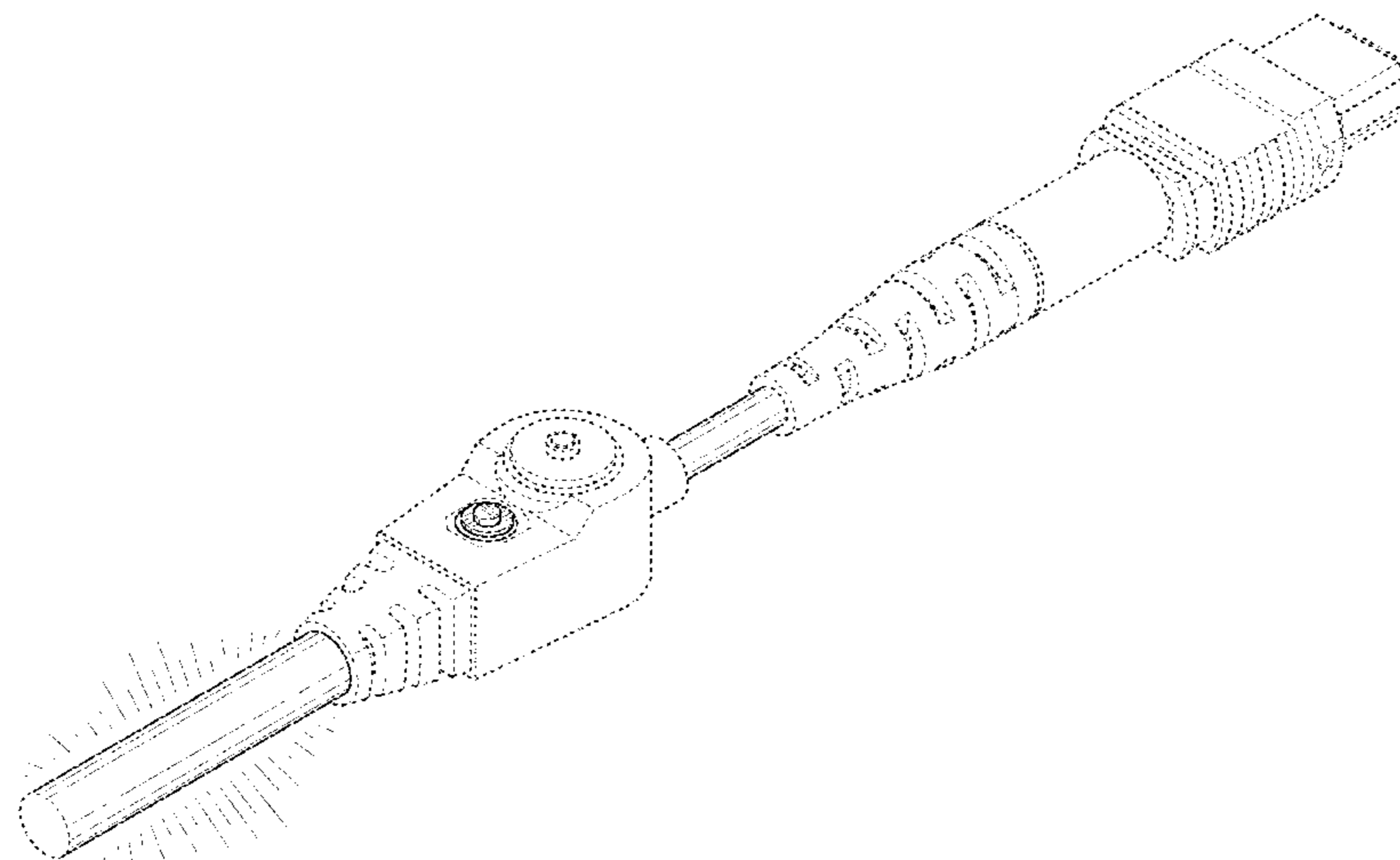
(57) **CLAIM**

The ornamental design for an illuminated fiber housing assembly, as shown and described.

DESCRIPTION

FIG. 1 is a top perspective view of an illuminated fiber housing assembly showing our new design; FIG. 2 is a left side view thereof; FIG. 3 is a right side view thereof; FIG. 4 is a top view thereof; and, FIG. 5 is a bottom view thereof. The radiating lines extending from the cylindrical shaped fiber element represent illumination of the fiber element. The broken lines depicting the remainder of the illuminated fiber housing assembly show features that form no part in the claimed design.

1 Claim, 5 Drawing Sheets



(56)

References Cited

U.S. PATENT DOCUMENTS

D625,861 S *	10/2010	Bertken	F21L 4/02 D10/114.9
D626,671 S *	11/2010	Bertken	D10/114.9
D712,836 S	9/2014	Lee et al.	
D721,039 S	1/2015	Hoshino et al.	
D728,482 S	5/2015	Depress et al.	
D732,756 S *	6/2015	Roberson	D26/42
D740,149 S *	10/2015	Talamo	D10/114.9
D762,586 S	8/2016	Crockett et al.	
D769,194 S	10/2016	Greig et al.	
9,685,726 B2	6/2017	Kw et al.	
D795,256 S *	8/2017	Jentz	D14/388
D801,282 S	10/2017	Hsieh	
D808,233 S *	1/2018	Wangler	D7/683
D820,791 S	6/2018	Takeda	
2007/0121332 A1 *	5/2007	Liu	F21L 4/00 362/459
2010/0157582 A1 *	6/2010	Bertken	F21L 4/00 362/158
2013/0063077 A1 *	3/2013	Popper	H02J 7/0045 320/107
2013/0250545 A1 *	9/2013	Dial	F21V 33/00 362/84
2013/0264966 A1 *	10/2013	Hazawa	G09F 9/33 315/297
2013/0266268 A1 *	10/2013	Li	G02B 6/3839 385/81

* cited by examiner

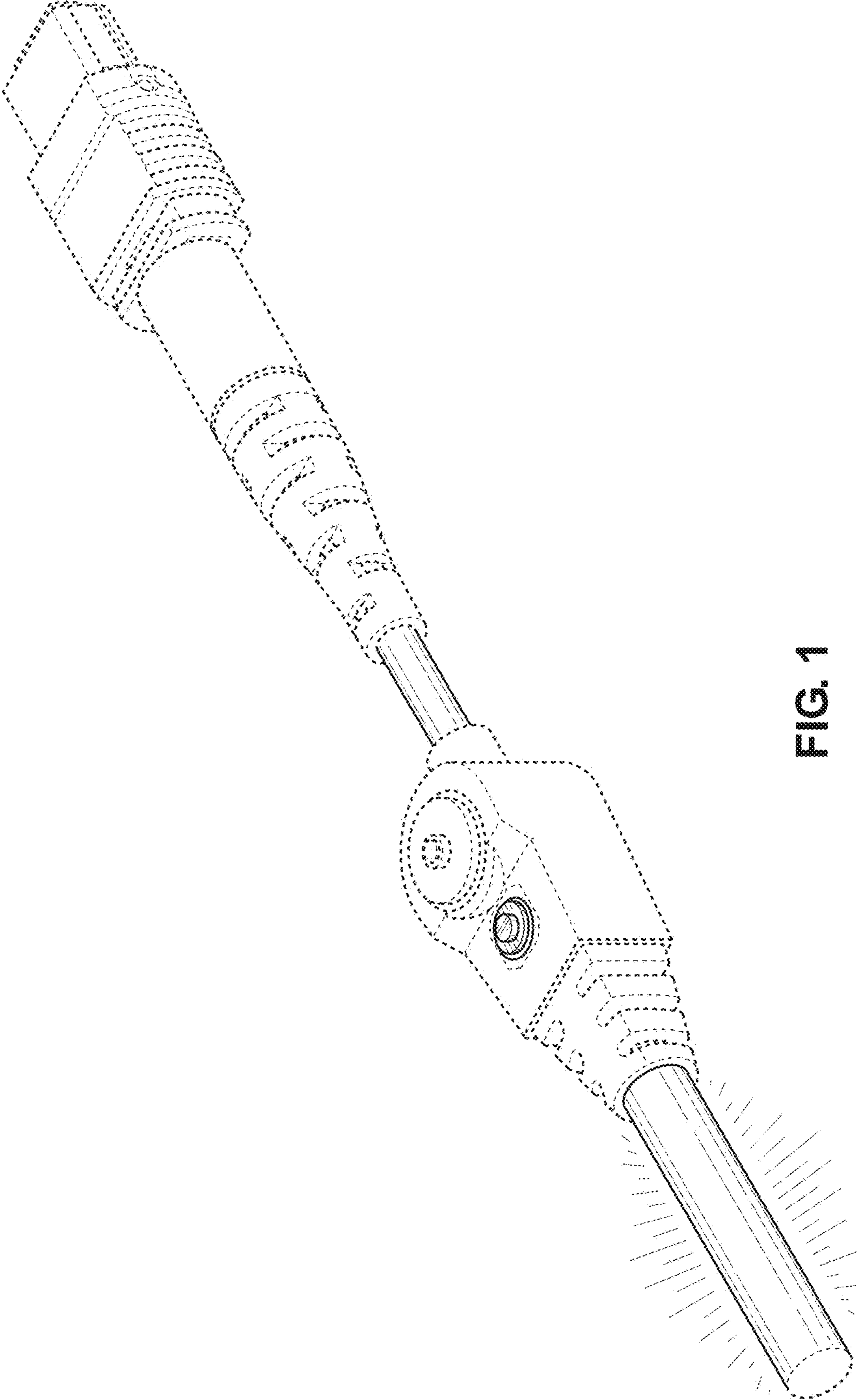


FIG. 1

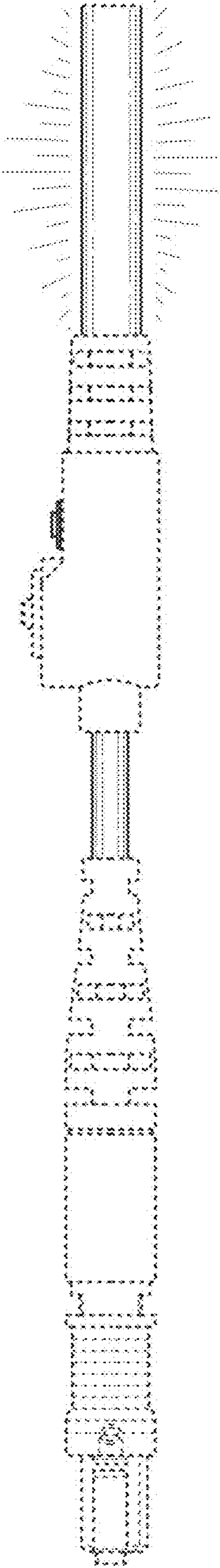


FIG. 2

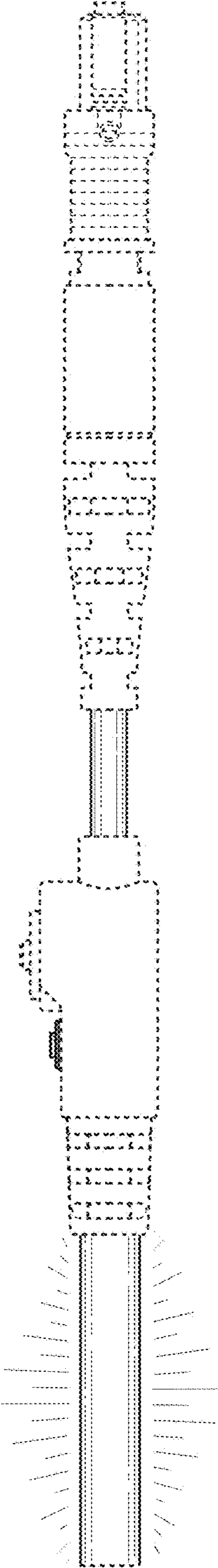


FIG. 3

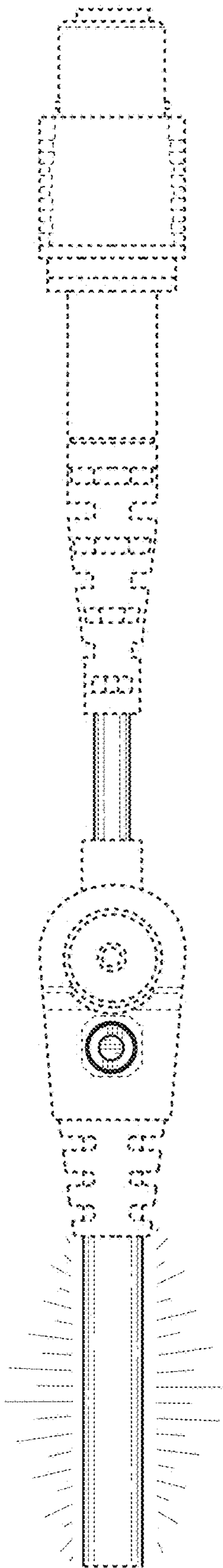


FIG. 4

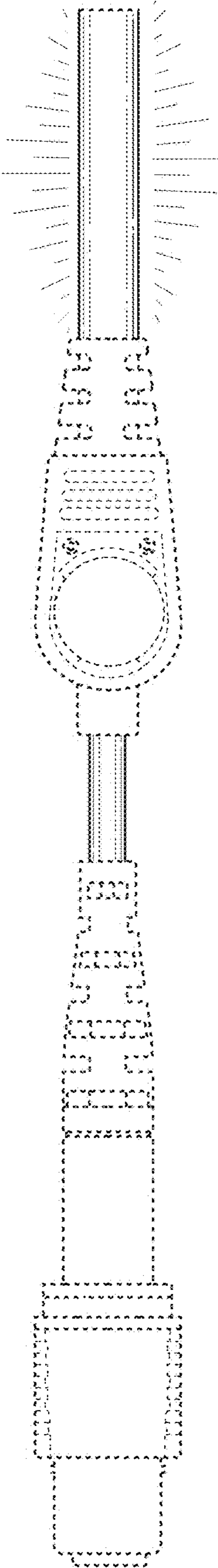


FIG. 5