



US00D842253S

(12) **United States Design Patent**
Tabata et al.

(10) **Patent No.:** **US D842,253 S**
(45) **Date of Patent:** **** Mar. 5, 2019**

- (54) **ELECTRICAL CONNECTOR**
- (71) Applicant: **Japan Aviation Electronics Industry, Limited**, Tokyo (JP)
- (72) Inventors: **Yuya Tabata**, Tokyo (JP); **Akira Kuwahara**, Tokyo (JP); **Ryuzo Shimeno**, Tokyo (JP); **Ryota Mizutani**, Tokyo (JP)
- (73) Assignee: **JAPAN AVIATION ELECTRONICS INDUSTRY, LIMITED**, Tokyo (JP)
- (**) Term: **15 Years**
- (21) Appl. No.: **29/635,144**
- (22) Filed: **Jan. 29, 2018**
- (30) **Foreign Application Priority Data**

Aug. 1, 2017 (JP) 2017-016582

- (51) **LOC (11) Cl.** **13-03**
- (52) **U.S. Cl.**
USPC **D13/133; D13/156**
- (58) **Field of Classification Search**
USPC D13/118, 123, 133, 146, 147, 149, 154,
D13/156, 173, 184, 199
CPC H01H 21/12; H01R 13/11; H01R 13/502;
H01R 13/62; H01R 13/629; H01R
13/6295; H01R 13/62938; H01R 13/64;
H01R 13/641; H01R 24/00; H01R 24/005
See application file for complete search history.

(56) **References Cited**
U.S. PATENT DOCUMENTS

| | | | | | |
|-----------------|---|---------|-------------|-------|------------------------|
| D311,902 S | * | 11/1990 | Scherer | | D13/160 |
| D514,514 S | * | 2/2006 | Franks, Jr. | | D13/133 |
| 9,281,614 B1 | * | 3/2016 | Bonucci | | H01R 13/62927 |
| D774,461 S | * | 12/2016 | Petricek | | D13/147 |
| 2003/0228782 A1 | * | 12/2003 | Nishida | | H01R 13/639 439/188 |

- 2007/0293070 A1* 12/2007 Takahashi H01R 13/5219
439/157
- 2010/0075524 A1* 3/2010 Chazottes H01R 13/5208
439/275
- 2013/0164959 A1* 6/2013 Furuya H01R 13/6397
439/153
- 2017/0331226 A1* 11/2017 Tabata H01R 13/62938
- 2018/0054025 A1* 2/2018 Tabata H01R 13/62933
- 2018/0145453 A1* 5/2018 Tabata H01R 13/11
- 2018/0145454 A1* 5/2018 Tabata H01R 13/7036

* cited by examiner

Primary Examiner — Angela J Lee

Assistant Examiner — Shawn T Gingrich

(74) *Attorney, Agent, or Firm* — Manabu Kanesaka

(57) **CLAIM**

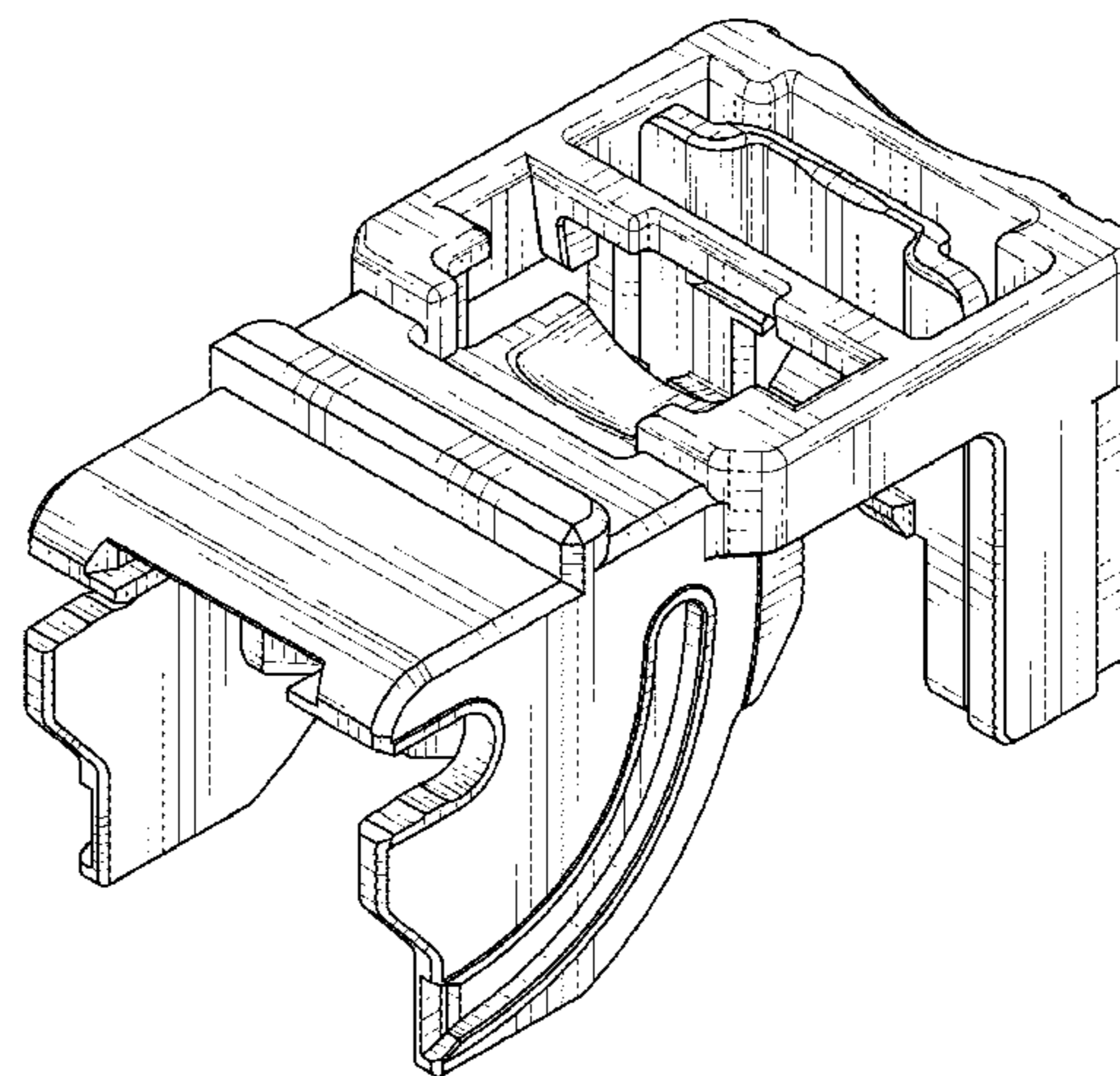
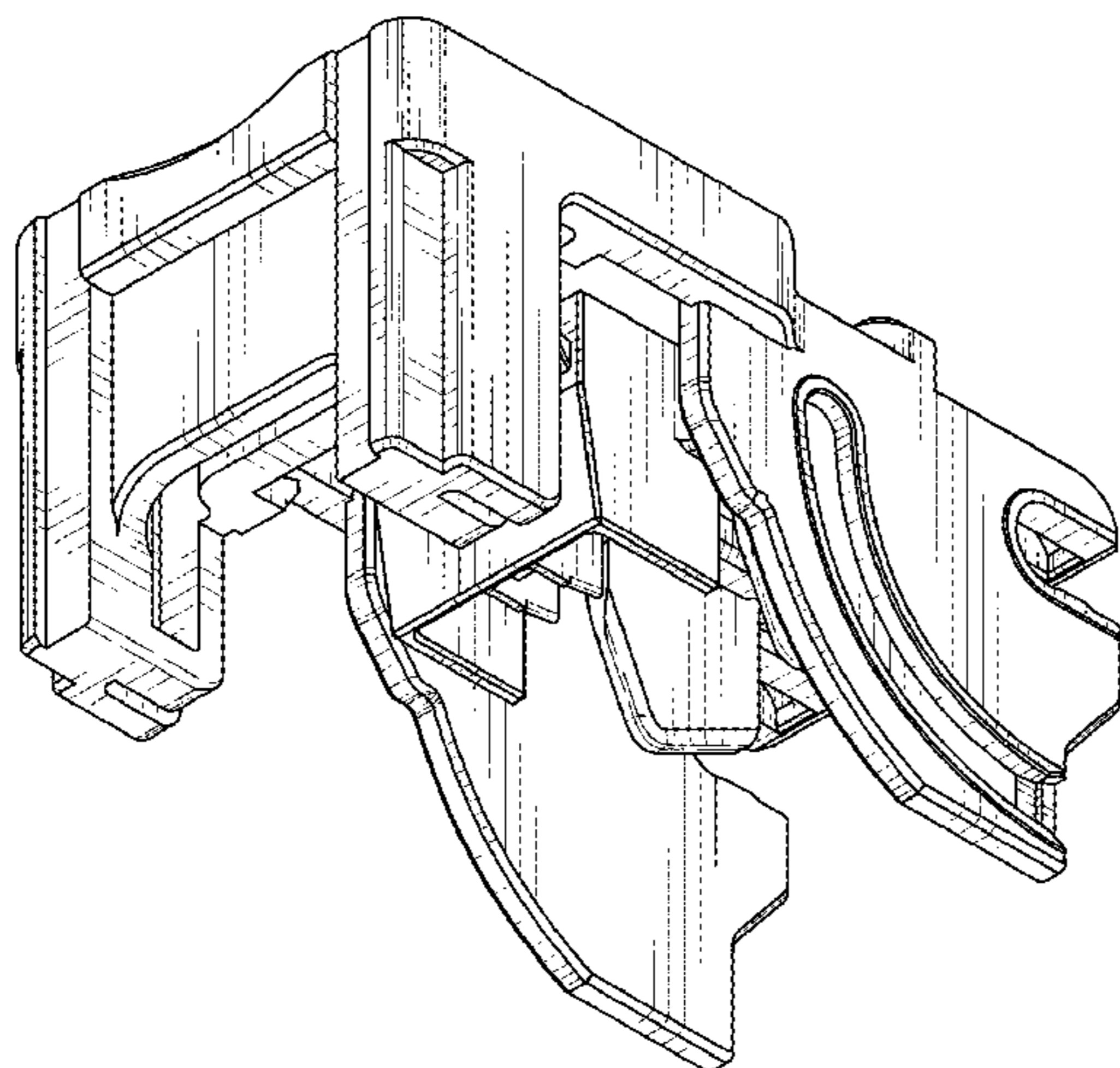
The ornamental design for an electrical connector, as shown and described.

DESCRIPTION

FIG. 1 is a front elevational view of an electrical connector showing our new design;
 FIG. 2 is a rear elevational view thereof;
 FIG. 3 is a right side elevational view thereof;
 FIG. 4 is a left side elevational view thereof;
 FIG. 5 is a top plan view thereof;
 FIG. 6 is a bottom plan view thereof;
 FIG. 7 is a perspective view showing a front, top and right side thereof;
 FIG. 8 is a perspective view showing a rear, bottom and left side thereof;
 FIG. 9 is a perspective view showing a front, right and bottom side thereof; and,
 FIG. 10 is a perspective view showing a rear, left and top side thereof.

The broken line showing of the electrical connector is for the purpose of illustrating portions of the article and forms no part of the claimed design.

1 Claim, 5 Drawing Sheets



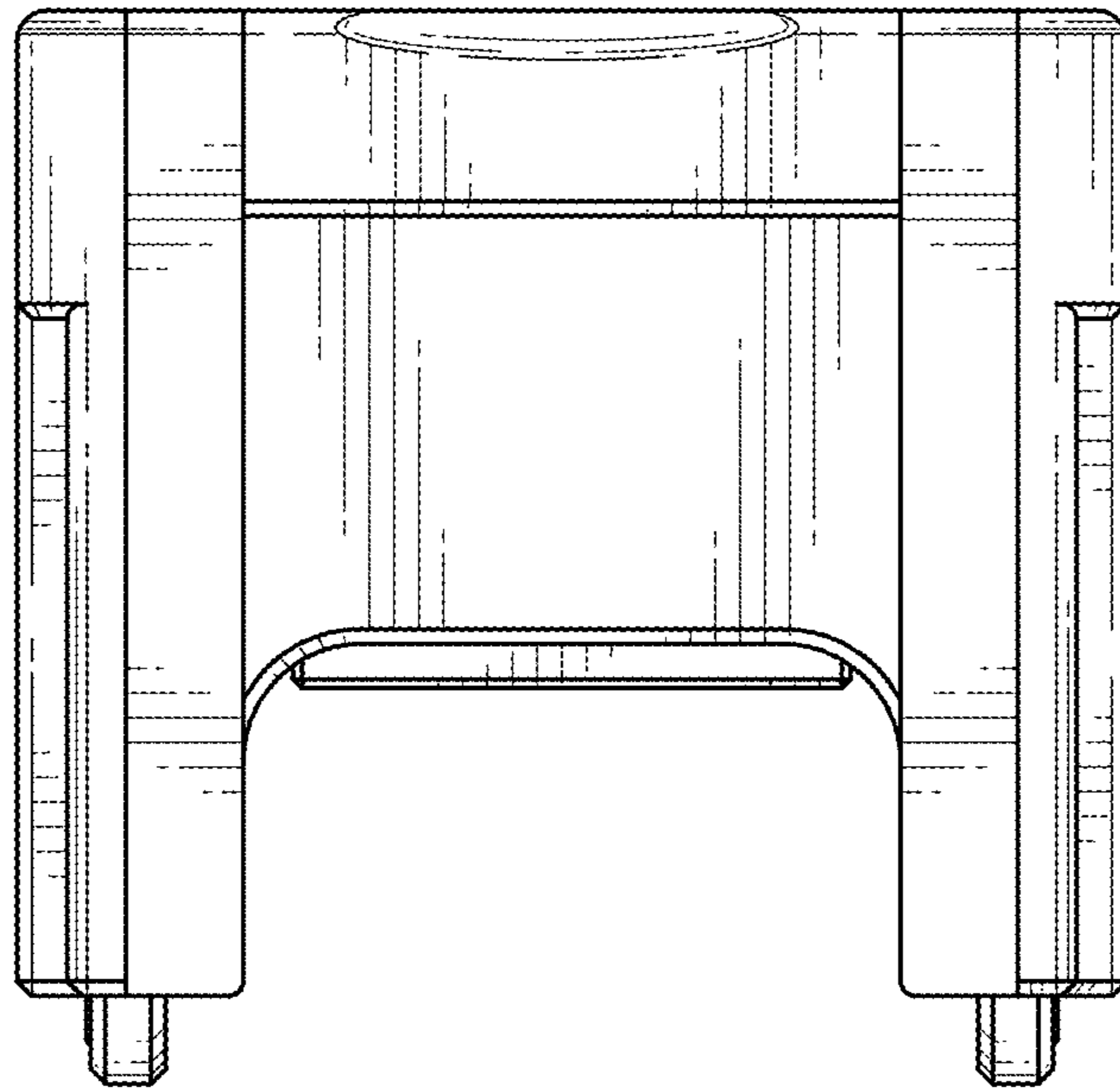


FIG. 1

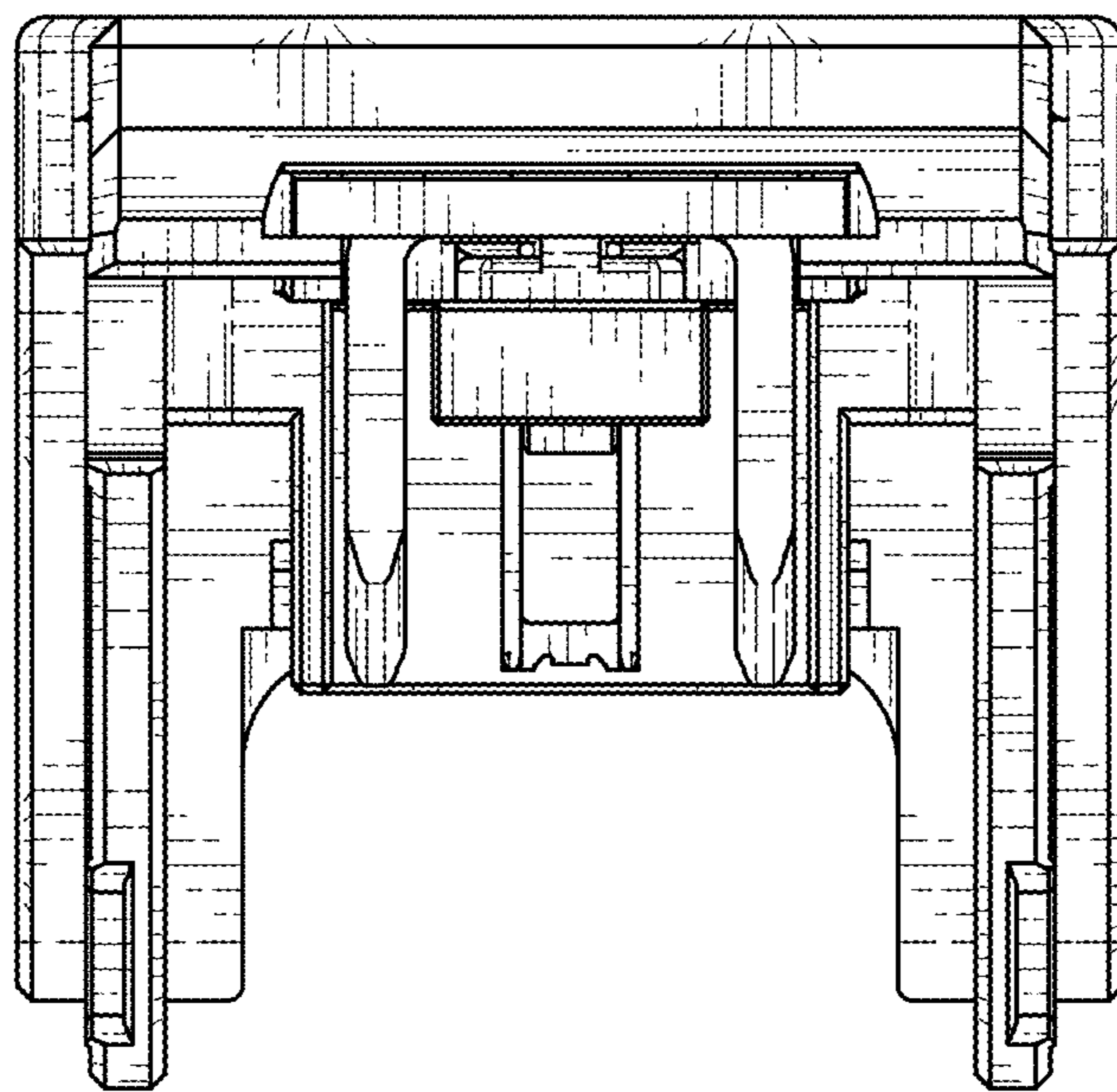


FIG. 2

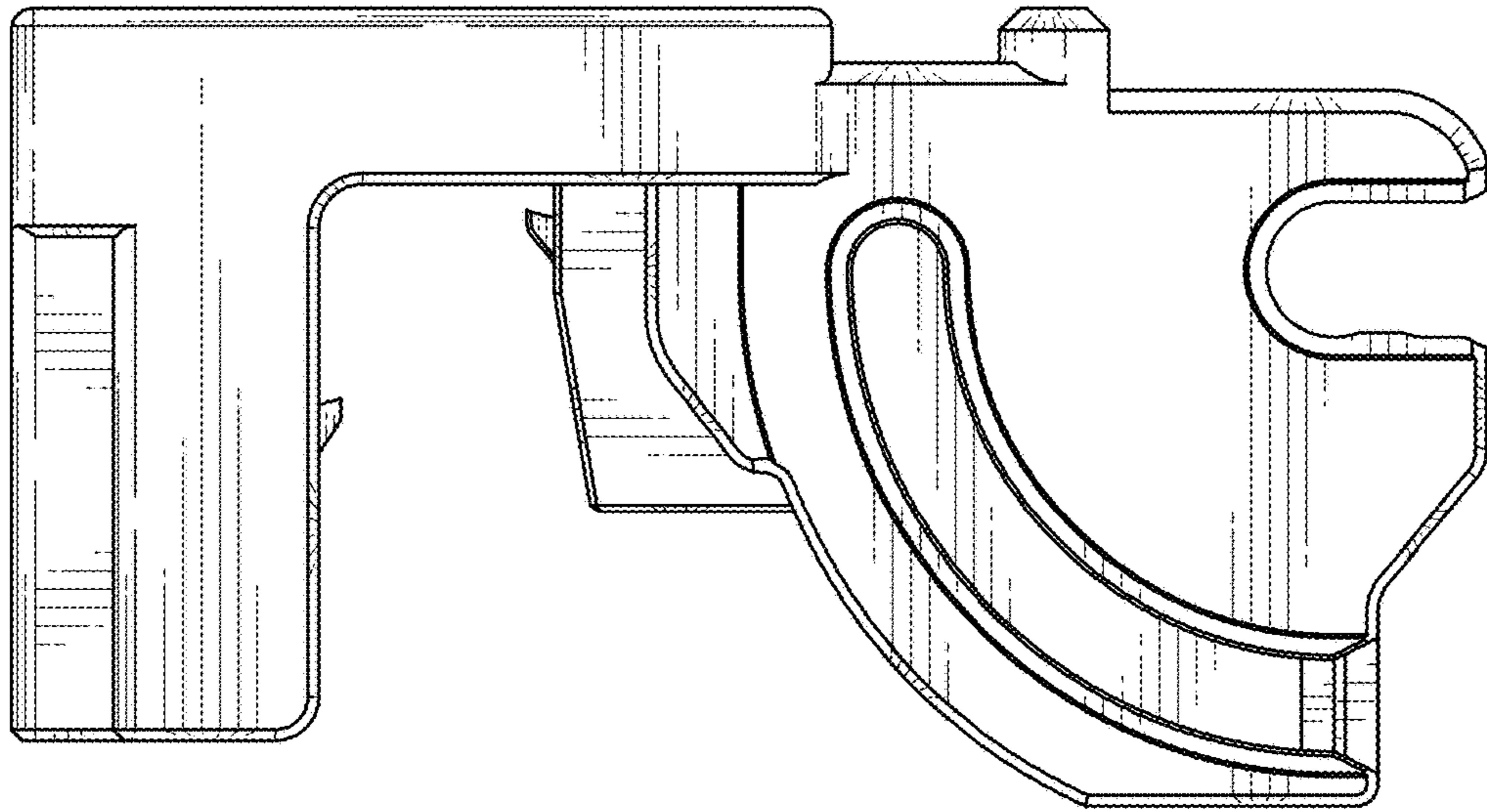


FIG. 3

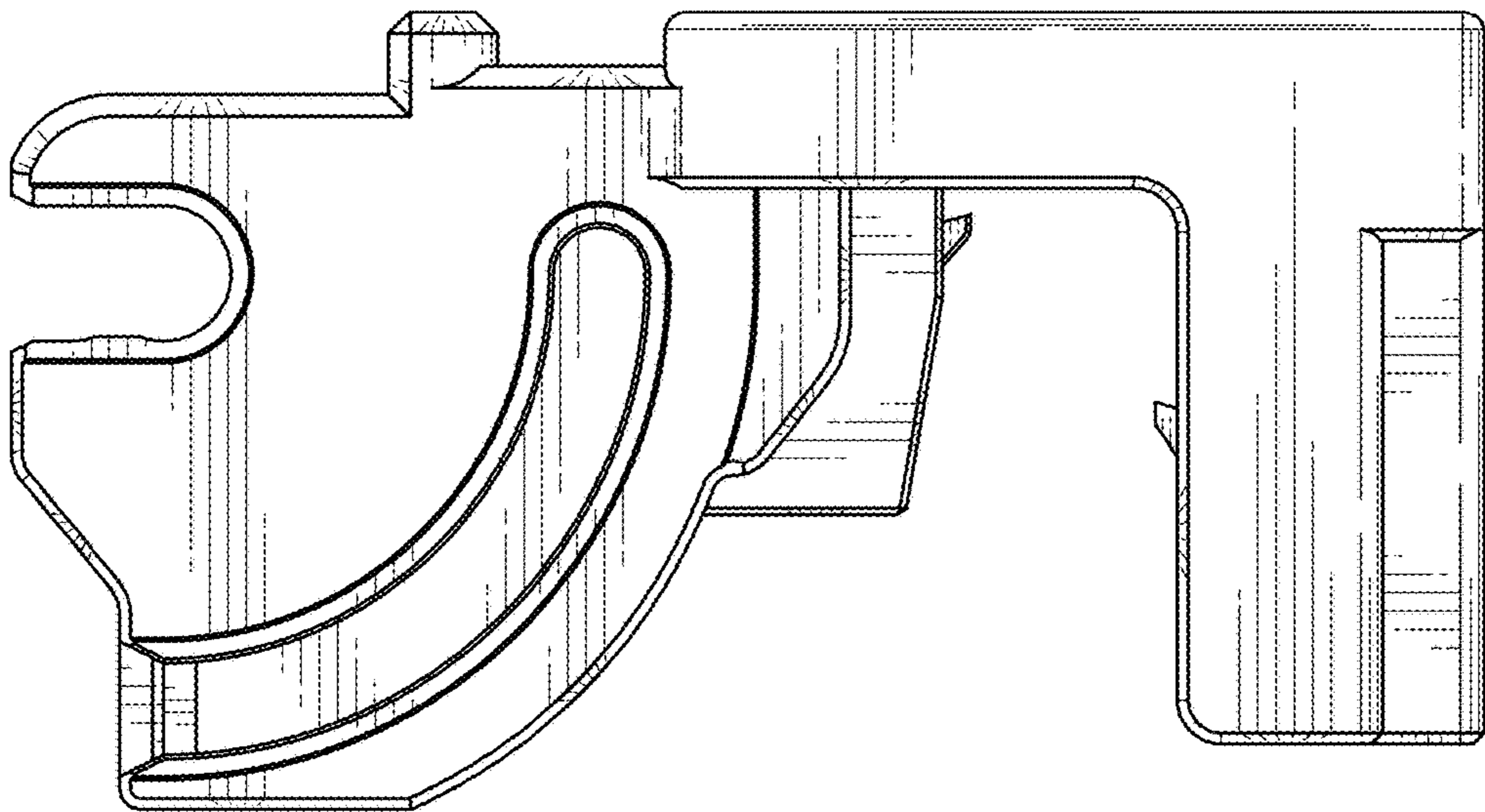


FIG. 4

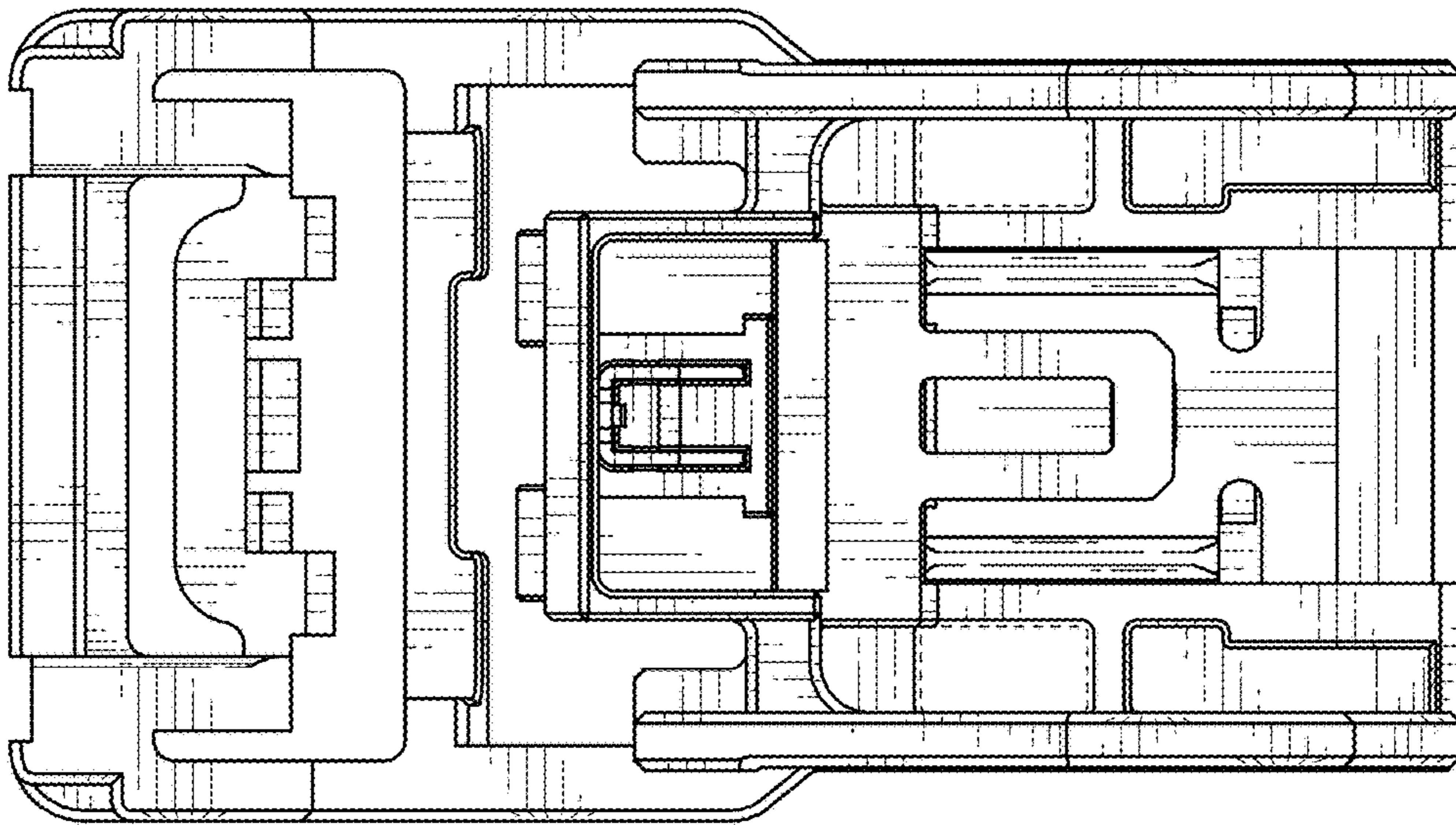


FIG. 6

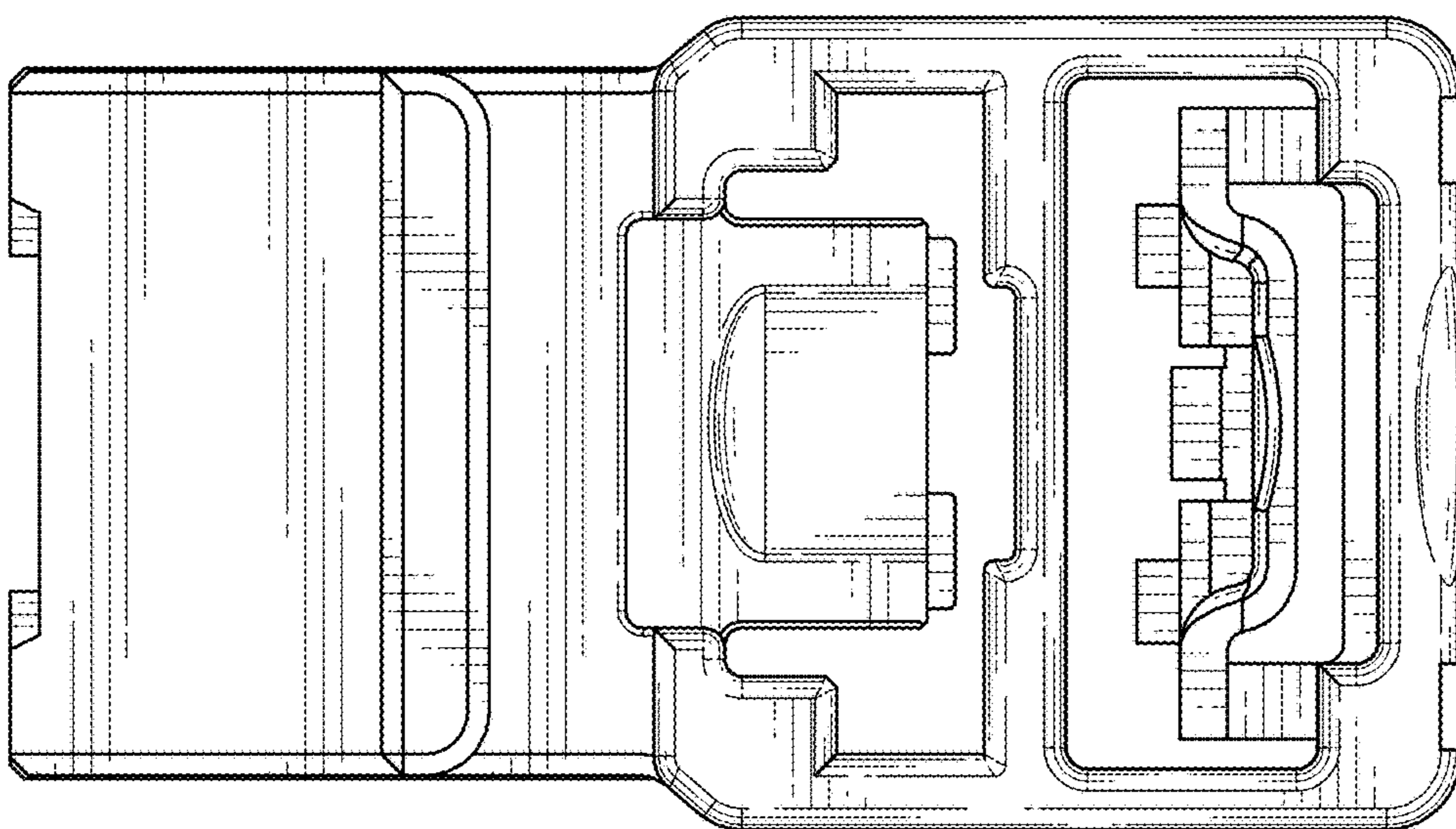


FIG. 5

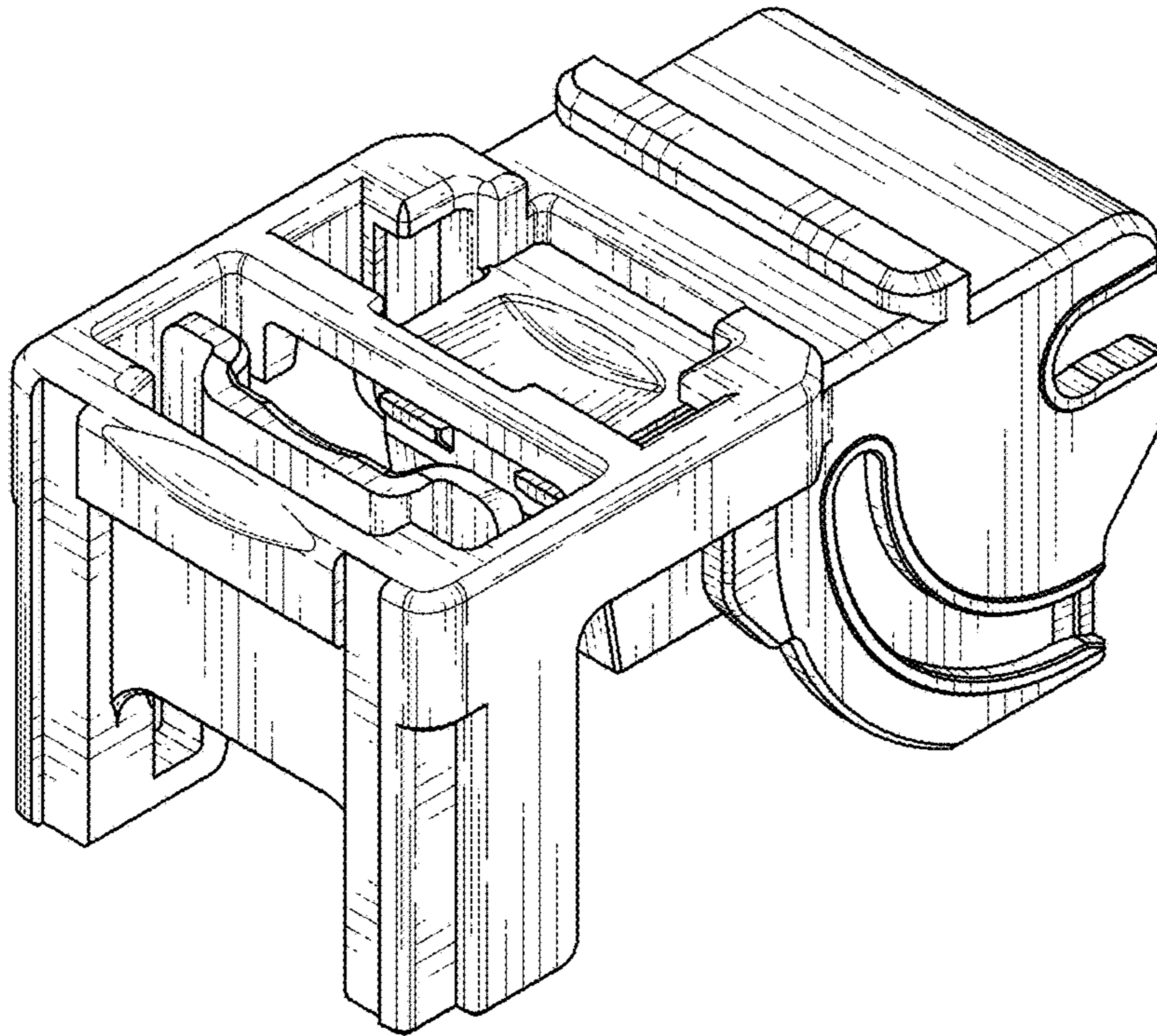


FIG. 7

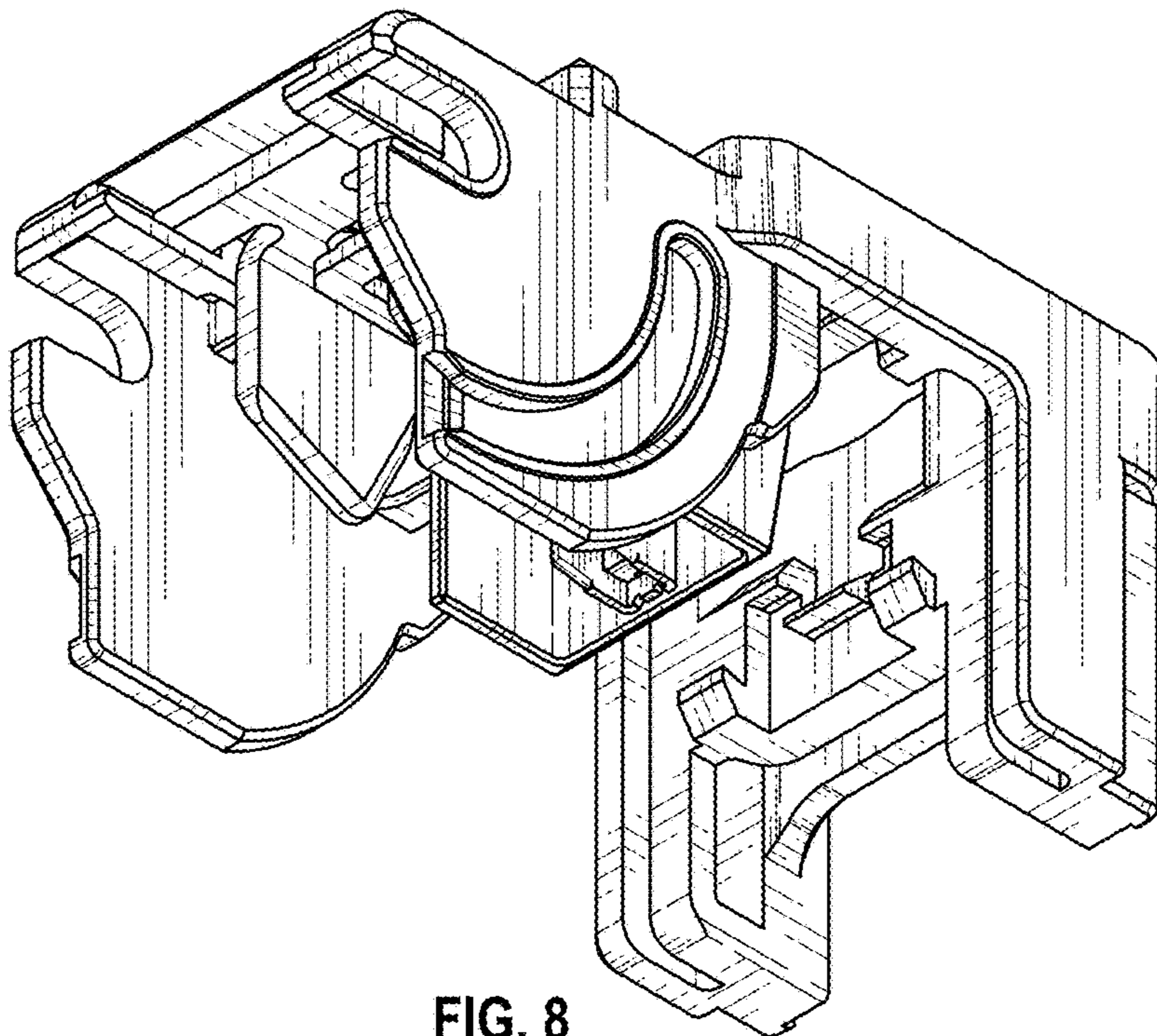


FIG. 8

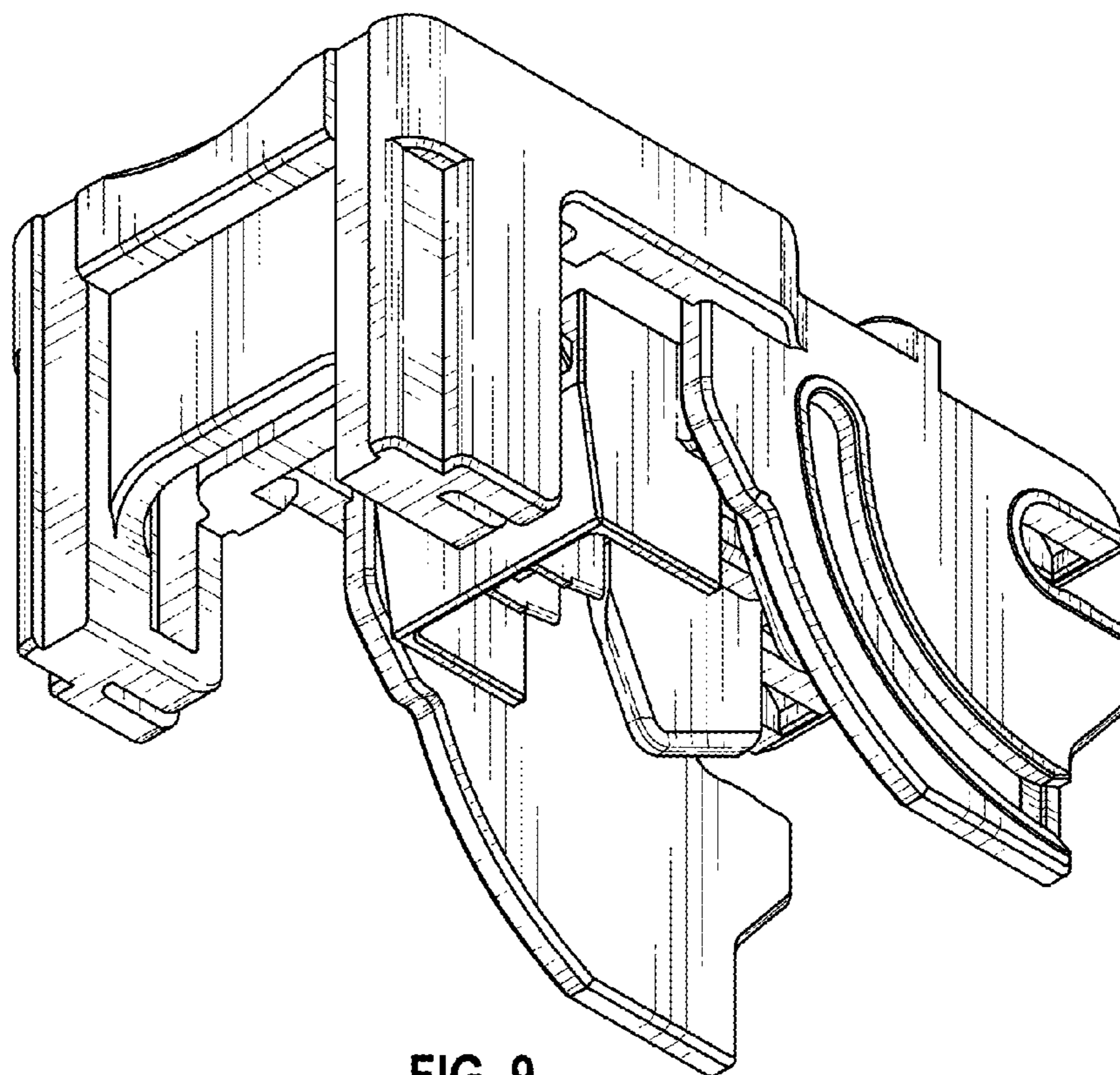


FIG. 9

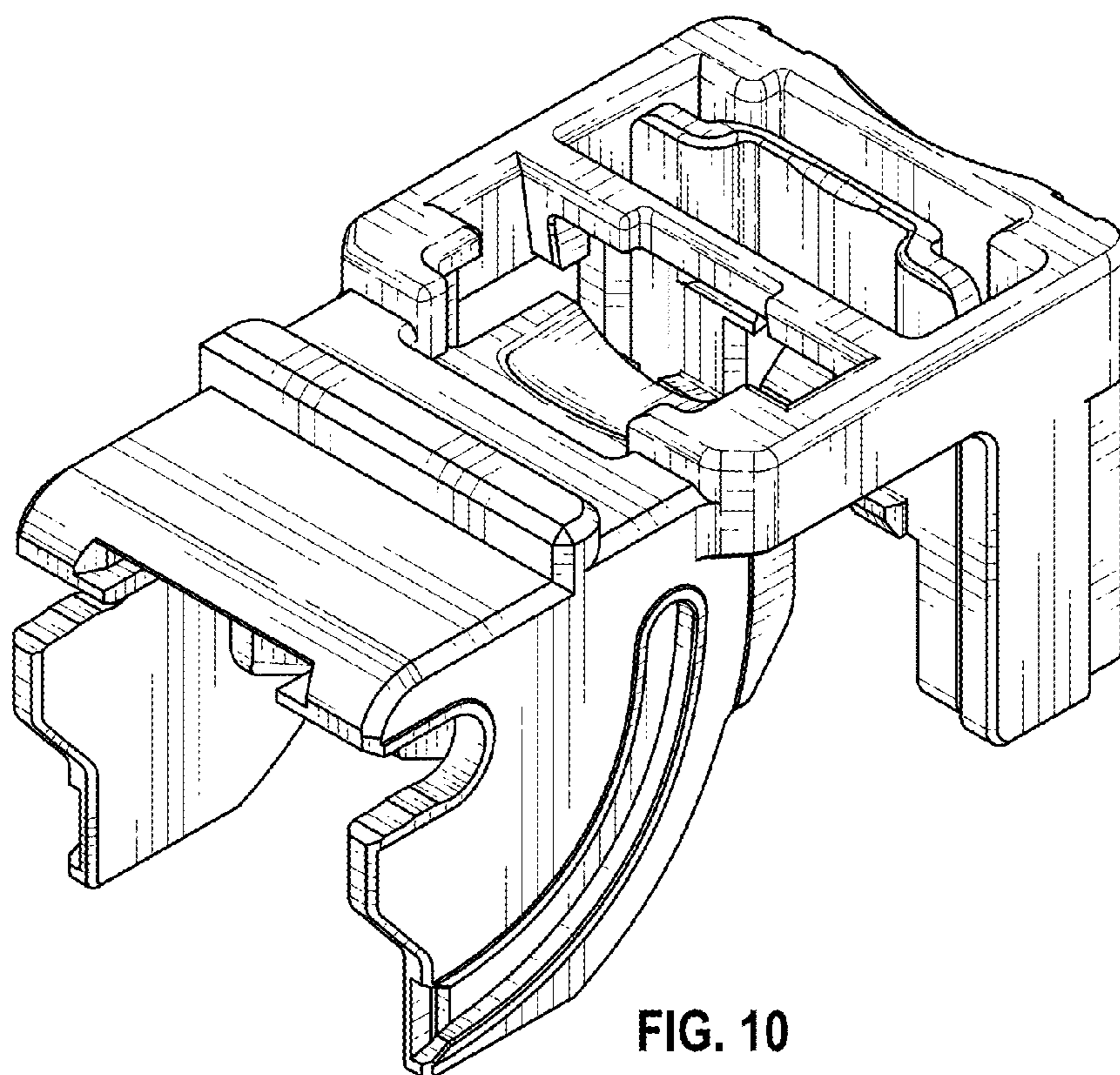


FIG. 10