



US00D842251S

(12) **United States Design Patent**
Iwasawa

(10) **Patent No.:** **US D842,251 S**
(45) **Date of Patent:** **** Mar. 5, 2019**

(54) **TERMINAL FITTING FOR ELECTRIC CONNECTOR**

(71) Applicant: **Yazaki Corporation**, Tokyo (JP)

(72) Inventor: **Hidehiko Iwasawa**, Shizuoka (JP)

(73) Assignee: **YAZAKI CORPORATION**,
Minato-ku, Tokyo (JP)

(**) Term: **15 Years**

(21) Appl. No.: **29/607,223**

(22) Filed: **Jun. 12, 2017**

(30) **Foreign Application Priority Data**

Dec. 13, 2016 (JP) 2016-026982

(51) **LOC (11) Cl.** **13-03**

(52) **U.S. Cl.**
USPC **D13/133**

(58) **Field of Classification Search**

USPC D8/350-353; D13/120, 146, 133, 147
CPC . H01R 4/10; H01R 4/18; H01R 13/58; H01R
43/20; H01R 4/183; H01R 4/185; H01R
4/70; H01R 43/048

See application file for complete search history.

(56) **References Cited**

U.S. PATENT DOCUMENTS

D251,491 S * 4/1979 Snyder, Jr. D13/146
4,990,103 A * 2/1991 Sazaki H01R 13/506
439/445
5,266,056 A * 11/1993 Baderschneider ... H01R 13/432
439/745
D424,020 S * 5/2000 Fischer 439/349
D490,059 S * 5/2004 Conway D13/146
D534,497 S * 1/2007 Mazzullo D13/133
7,993,170 B2 * 8/2011 Nakata H01R 4/185
439/587

D680,075 S * 4/2013 Yang D13/133
9,136,628 B2 * 9/2015 Aizawa H01R 4/185
9,601,840 B2 * 3/2017 Tonoike H01R 4/187
9,711,872 B2 * 7/2017 Sato H01R 4/185
9,711,873 B1 * 7/2017 Tanaka H01R 4/188
9,847,596 B2 * 12/2017 Sato H01R 13/5216
9,899,749 B2 * 2/2018 Kondou H01R 4/188
9,954,289 B2 * 4/2018 Miyakawa H01R 4/70
9,954,300 B2 * 4/2018 Nagasaka H01R 13/428
9,954,308 B2 * 4/2018 Sato H01R 13/5845
D817,882 S * 5/2018 Chen D13/133
9,966,672 B2 * 5/2018 Aoki H01R 4/185
9,979,099 B2 * 5/2018 Tonoike H01R 4/183

(Continued)

Primary Examiner — Jennifer Rivard

Assistant Examiner — Alison M Ofstun

(74) *Attorney, Agent, or Firm* — Sughrue Mion, PLLC

(57) **CLAIM**

The ornamental design for a terminal fitting for electric connector, as shown and described.

DESCRIPTION

FIG. 1 is a front, top and left side perspective view of a terminal fitting for electric connector showing my new design;

FIG. 2 is a rear, bottom and right side perspective view thereof;

FIG. 3 is a front elevational view thereof;

FIG. 4 is a rear elevational view thereof;

FIG. 5 is a right side elevational view thereof;

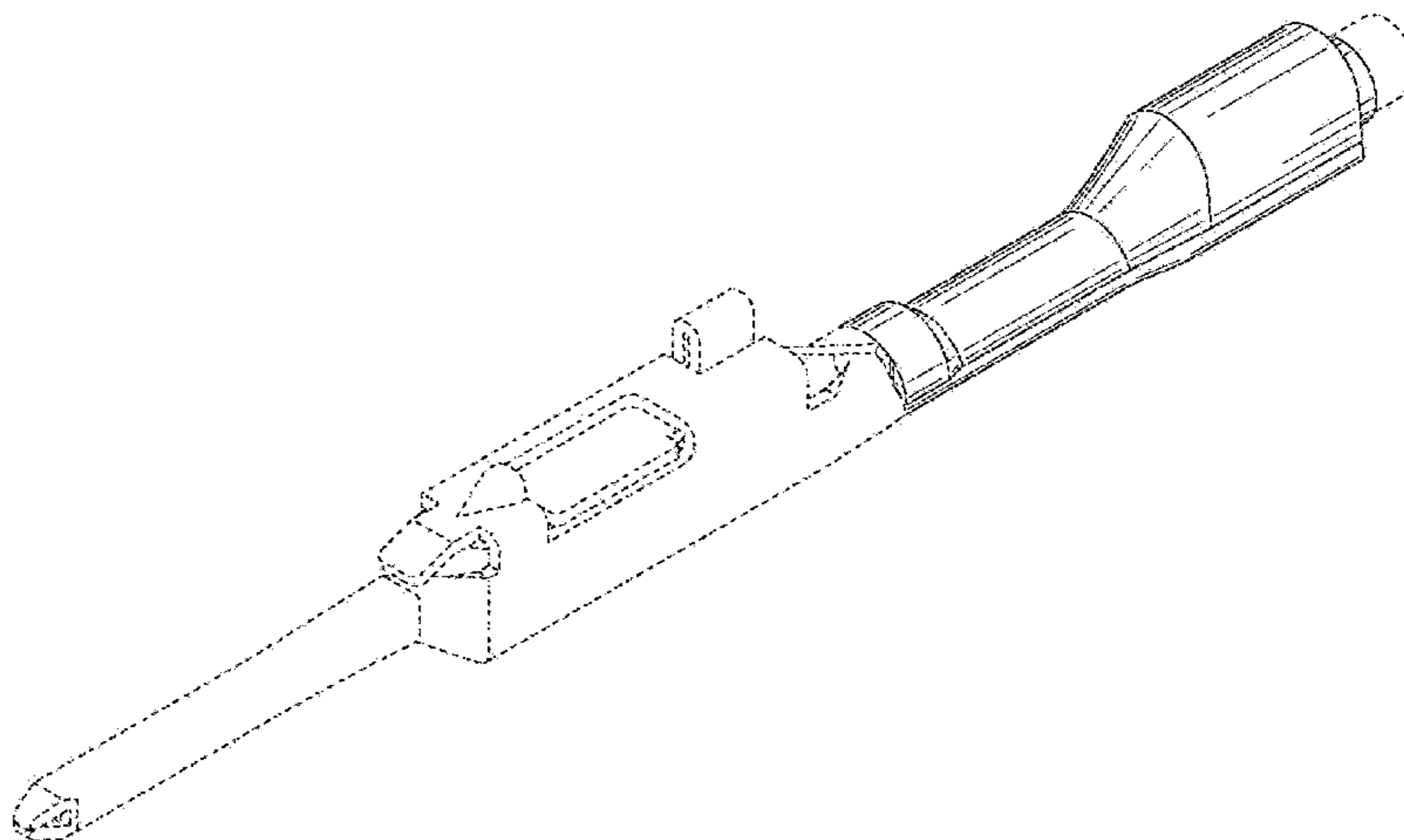
FIG. 6 is a left side elevational view thereof;

FIG. 7 is a top plan view thereof; and,

FIG. 8 is a bottom plan view thereof.

The evenly spaced broken lines depict portions of the terminal fitting for electric connector in which the design is embodied that form no part of the claimed design. The dot-dash chain broken line defines the boundary of the claimed design and forms no part of the claimed design.

1 Claim, 7 Drawing Sheets



(56)

References Cited

U.S. PATENT DOCUMENTS

2018/0076532 A1* 3/2018 Iwasawa H01R 4/185
2018/0109010 A1* 4/2018 Takahashi H01R 4/183

* cited by examiner

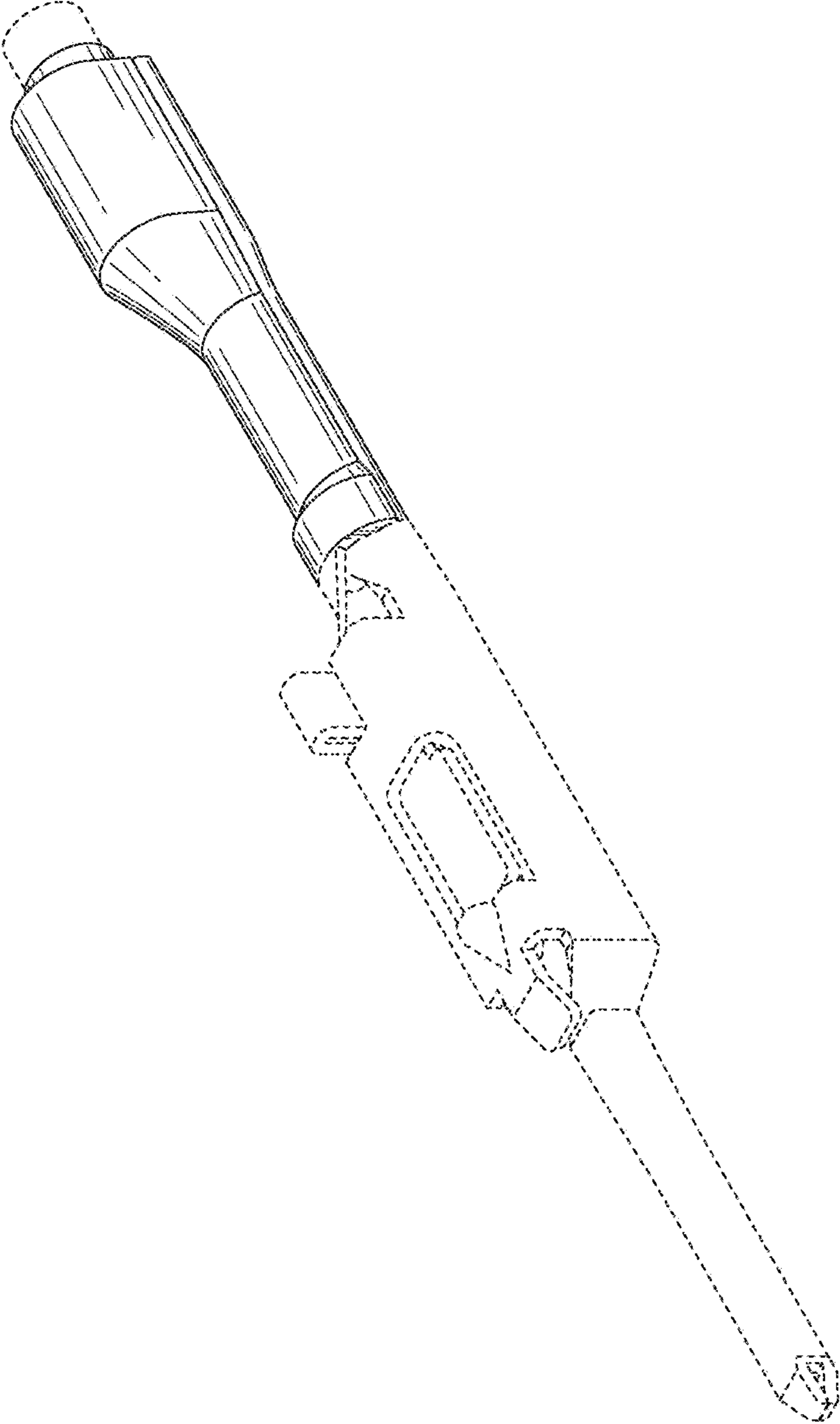


FIG. 1

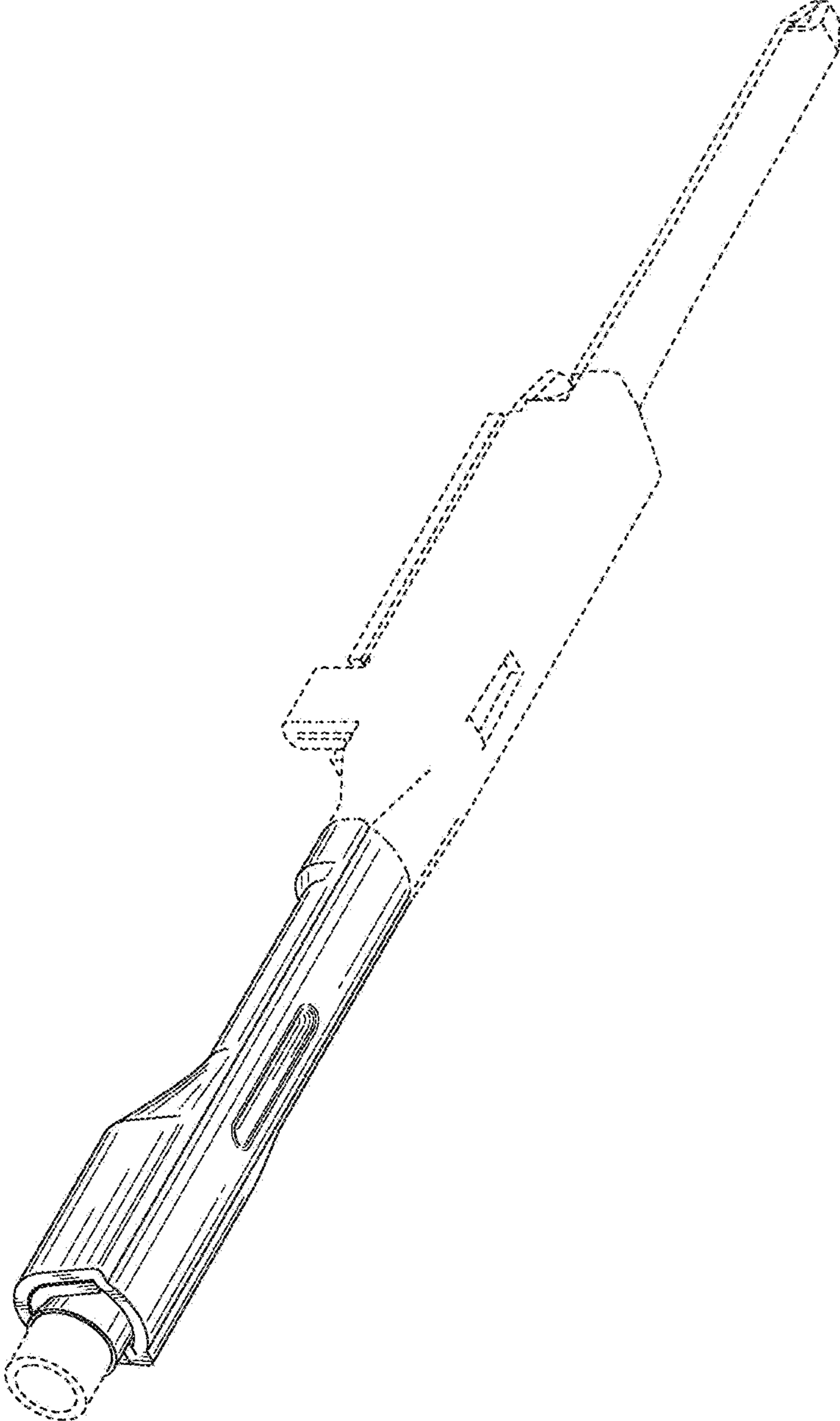


FIG. 2

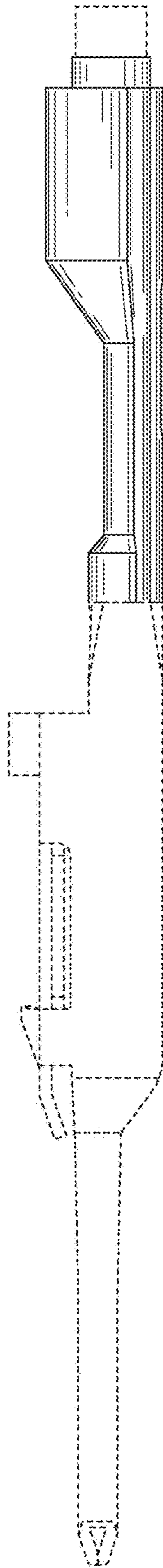


FIG. 3

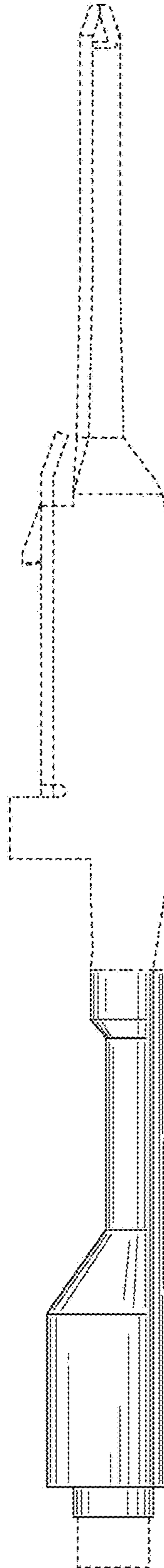


FIG. 4

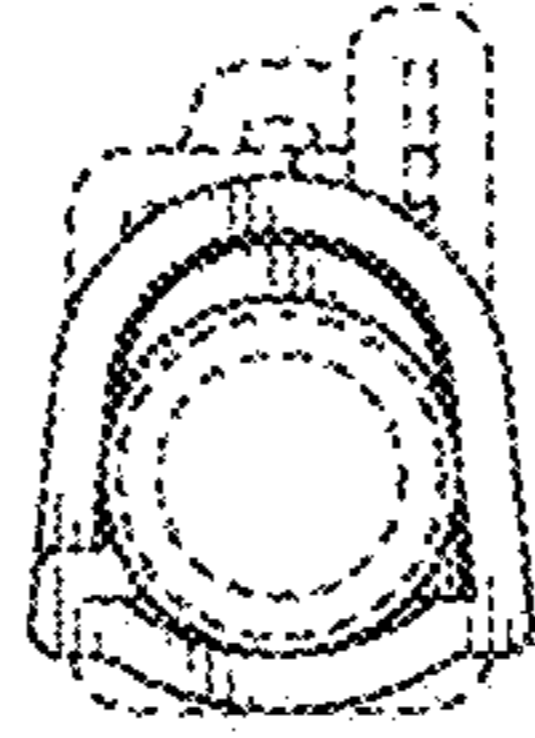


FIG. 5

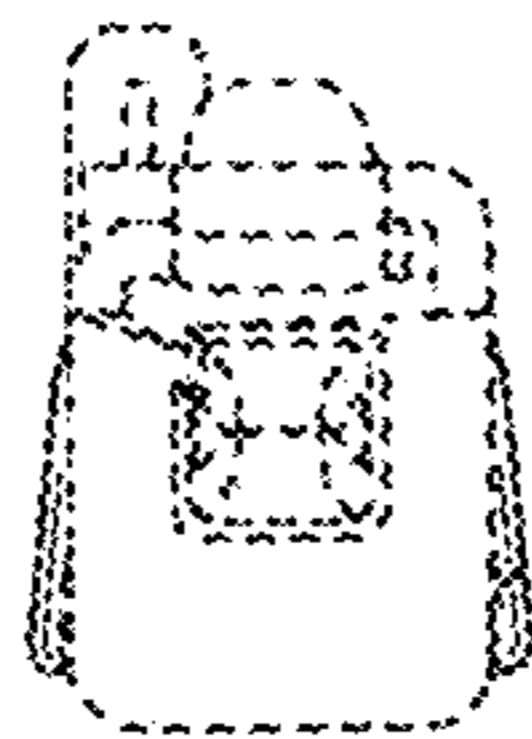


FIG. 6

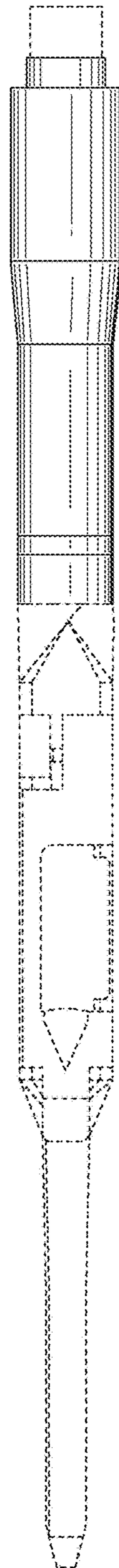


FIG. 7

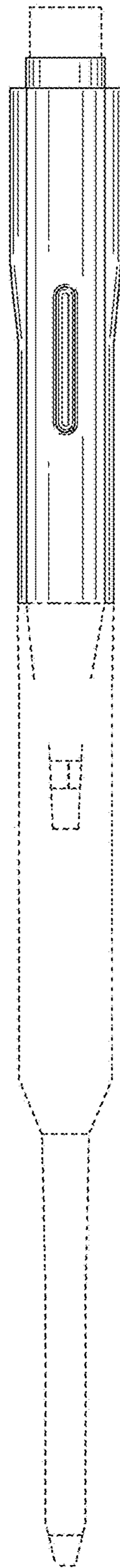


FIG. 8